

US00D459946S

(12) **United States Design Patent**
Willat

(10) **Patent No.:** **US D459,946 S**

(45) **Date of Patent:** **** Jul. 9, 2002**

- (54) **BEVERAGE TASTING VESSEL**
- (76) Inventor: **Boyd I. Willat**, 9120 Oriole Way, Los Angeles, CA (US) 90069
- (**) Term: **14 Years**
- (21) Appl. No.: **29/141,138**
- (22) Filed: **Apr. 30, 2001**
- (51) **LOC (7) Cl.** **07-01**
- (52) **U.S. Cl.** **D7/509; D7/511**
- (58) **Field of Search** **D7/509, 507, 523, D7/511, 532, 316, 510; 206/534, 520, 519; 215/389; 229/400; 359/408; D11/152; D34/1; 220/675, 671, 737, 608, 628**

- 4,577,775 A 3/1986 Kresin
- 4,609,113 A 9/1986 Seki
- 4,610,351 A 9/1986 Coles et al.
- 4,770,519 A * 9/1988 Jacques 359/408
- D300,706 S 4/1989 Durand
- 4,832,212 A 5/1989 Askinazi
- 4,978,015 A 12/1990 Walker
- 4,993,566 A 2/1991 Eberle
- D337,187 S * 7/1993 Hampshire D34/1
- 5,503,283 A 4/1996 Semersky
- 5,507,402 A 4/1996 Clark
- D379,738 S * 6/1997 Liming et al. D7/511
- D381,558 S 7/1997 Schaefer et al.
- 5,785,197 A 7/1998 Slat
- 5,913,964 A 6/1999 Melton
- 6,095,033 A 8/2000 Melton
- D436,295 S * 1/2001 Furman et al. D7/523
- D446,687 S * 8/2001 Furman et al. D7/523

(56) **References Cited**

U.S. PATENT DOCUMENTS

- D90,082 S * 6/1933 Piazzoli D7/532
- D151,431 S * 10/1948 Cooper et al. D7/316
- 2,988,258 A 6/1961 Witzke
- 3,397,867 A 8/1968 Hoff
- 3,405,858 A 10/1968 Collie
- 3,434,626 A 3/1969 Kinslow
- 3,441,173 A 4/1969 Edwards
- 3,443,715 A 5/1969 Edwards
- 3,464,587 A 9/1969 Edwards
- 3,471,055 A 10/1969 Edwards
- 3,727,783 A 4/1973 Carmichael
- 3,730,385 A 5/1973 Rost
- 3,759,410 A 9/1973 Uhlig
- 3,784,052 A 1/1974 Edwards
- D233,297 S * 10/1974 Rayner D11/152
- 3,838,772 A 10/1974 Lang et al.
- 3,854,583 A * 12/1974 Amberg et al. 206/520
- 3,934,725 A 1/1976 Edwards
- 3,971,471 A * 7/1976 Ludder 206/519
- 3,995,740 A 12/1976 Amberg et al.
- 4,054,219 A 10/1977 Young et al.
- D248,916 S * 8/1978 Reynolds et al. D7/523
- 4,156,483 A 5/1979 Day
- 4,197,948 A 4/1980 Amberg et al.
- 4,249,666 A 2/1981 Hubert et al.
- D276,115 S * 10/1984 Wiedeman D7/523

* cited by examiner

Primary Examiner—M. N. Pandozzi
(74) *Attorney, Agent, or Firm*—Karin E. Peterka; Buchalter, Nemer, Fields & Younger

(57) **CLAIM**

The ornamental design of a beverage tasting vessel, as shown and described.

DESCRIPTION

FIG. 1 is front view of the beverage tasting vessel of the present invention;
FIG. 2 is a right side view of the cup of FIG. 1;
FIG. 3 is a back view of the cup of FIG. 1;
FIG. 4 is a left side view of the cup of FIG. 1;
FIG. 5 is a top view of the cup of FIG. 1;
FIG. 6 is a bottom view of the cup of FIG. 1;
FIG. 7 is a perspective view of the cup of FIG. 1; and,
FIG. 8 is a perspective view of a beverage tasting vessel showing a second embodiment of my new design. All other sides of the second embodiment are the same as the first embodiment except that the first embodiment does not show a lid.

1 Claim, 5 Drawing Sheets

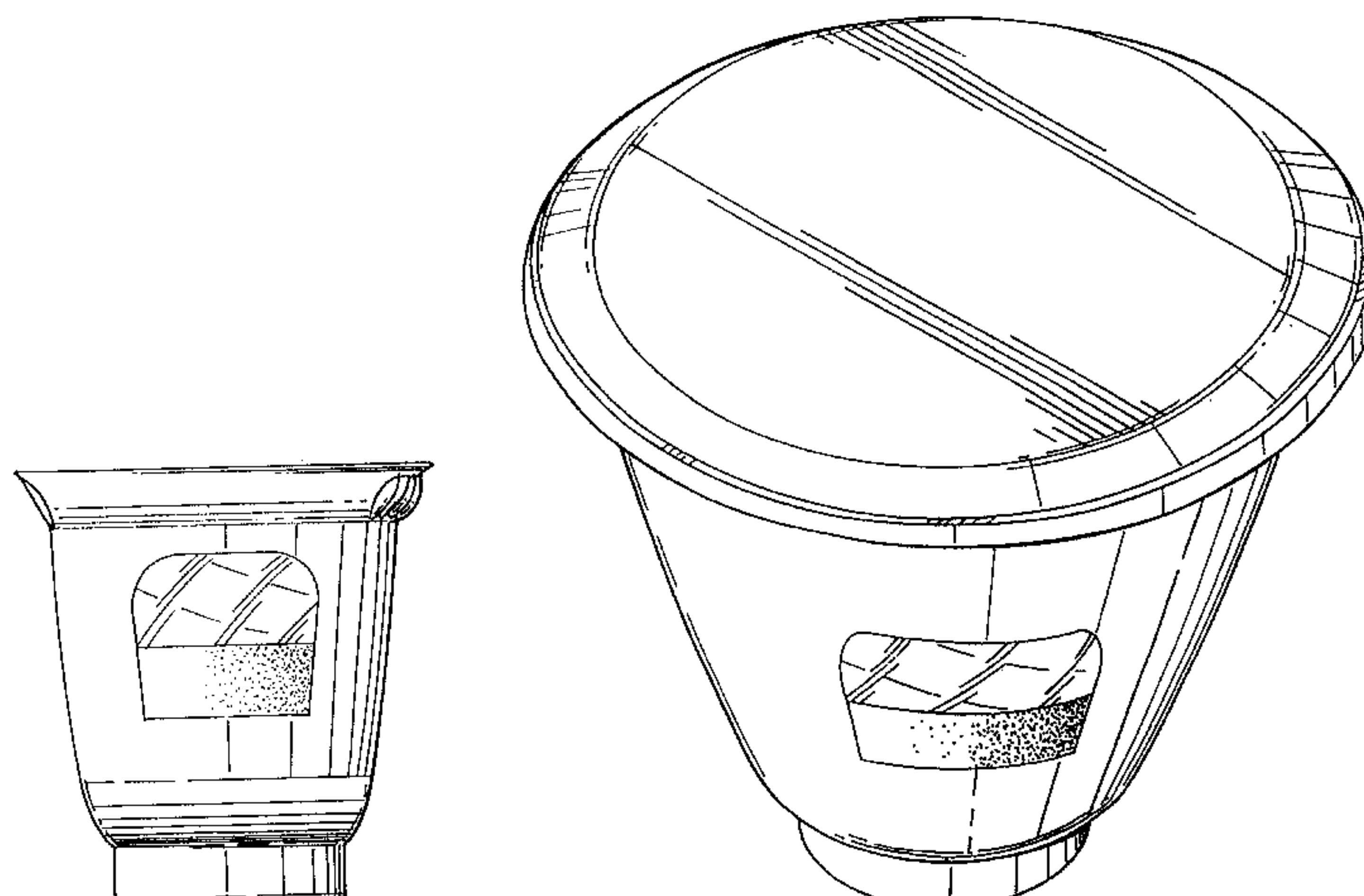


FIG. 1

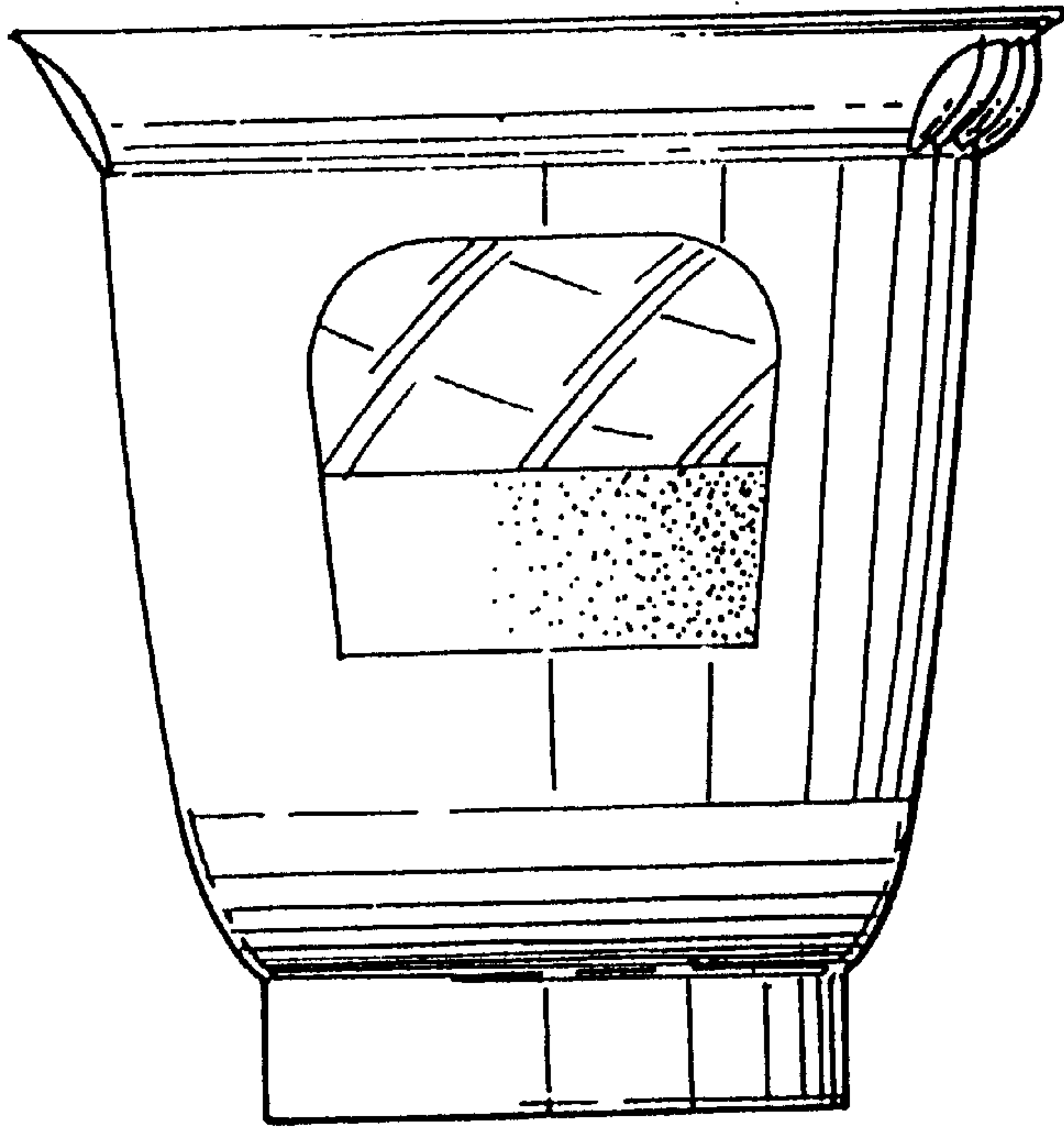


FIG. 2

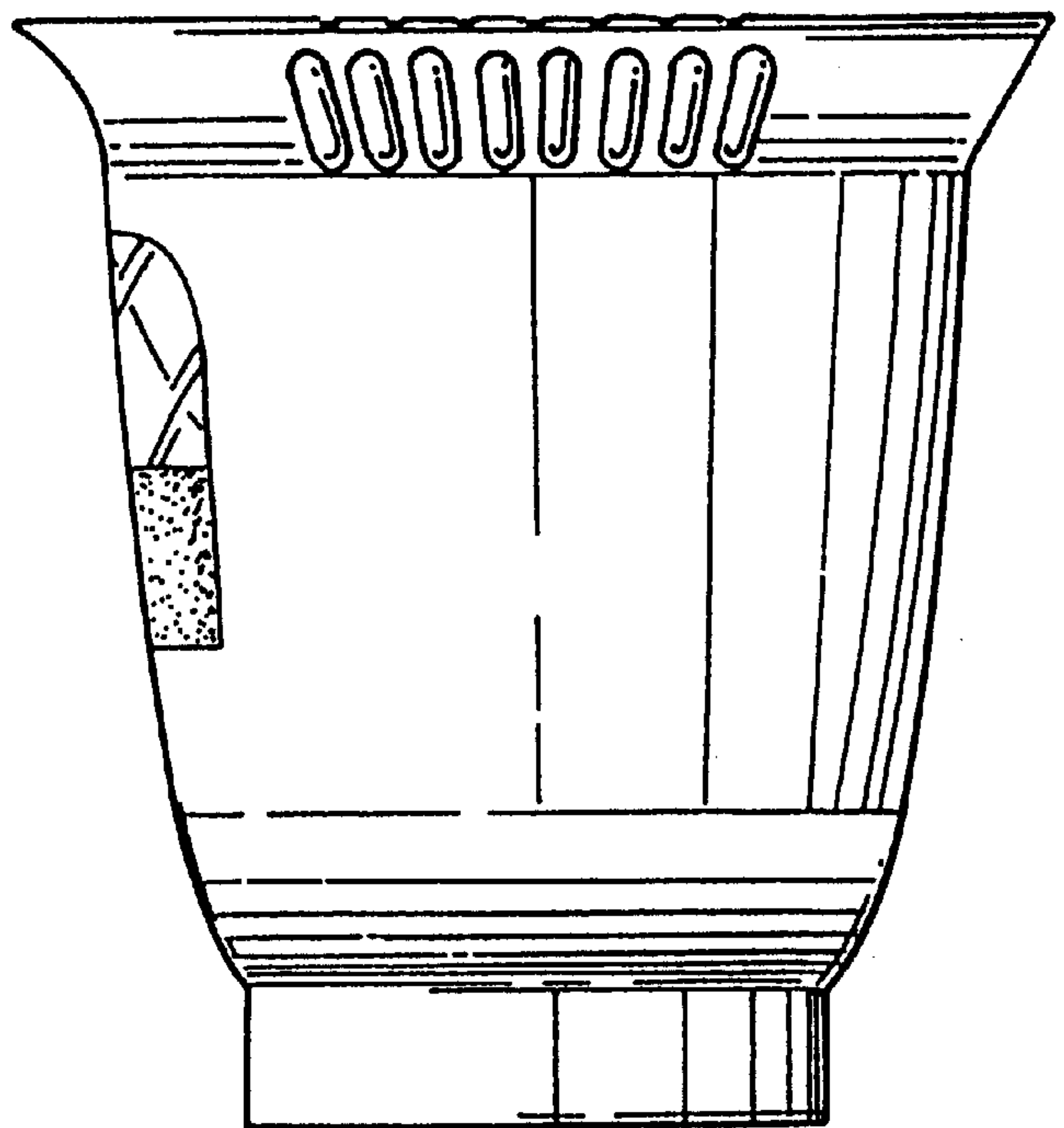


FIG. 3

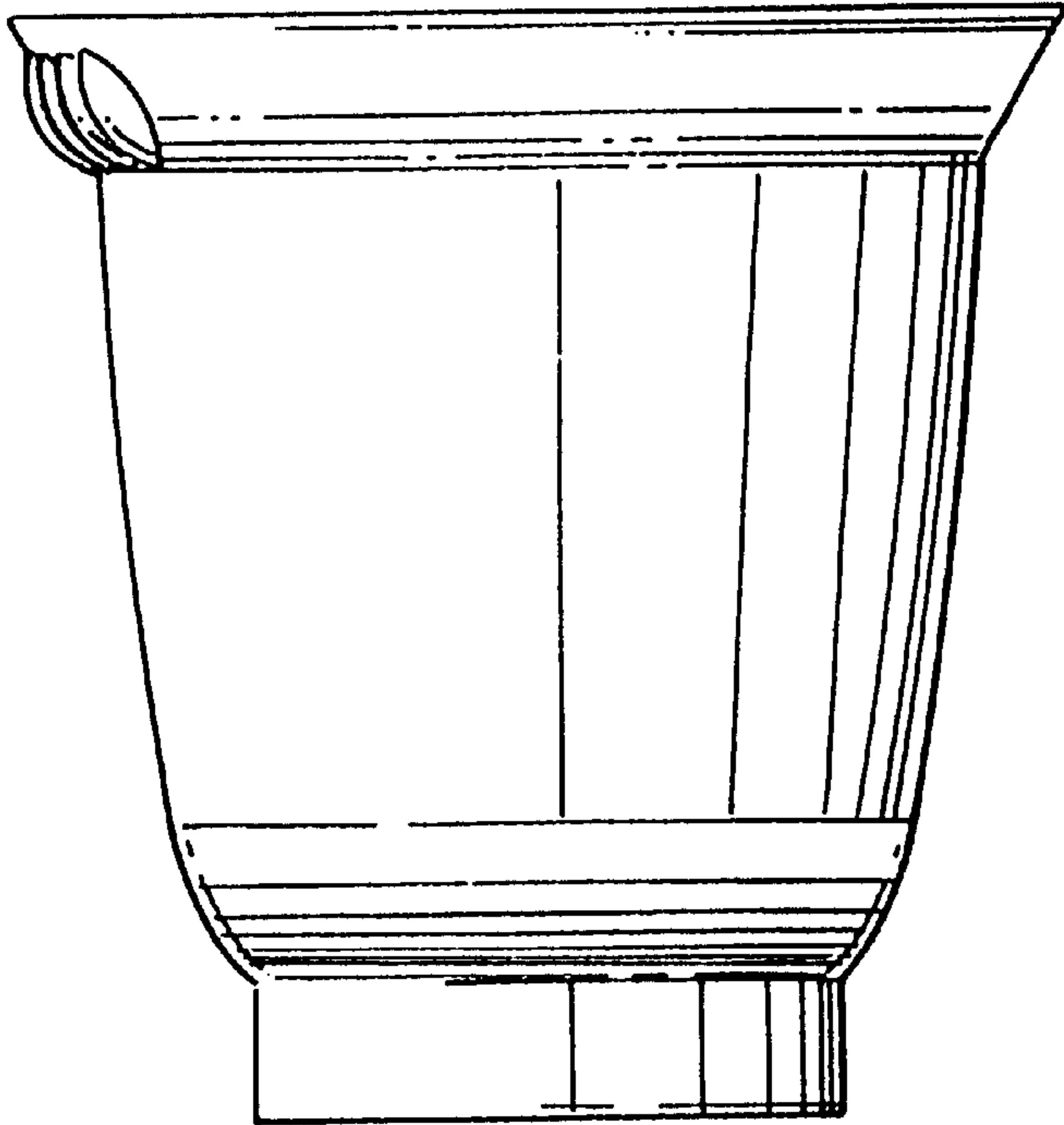


FIG. 4

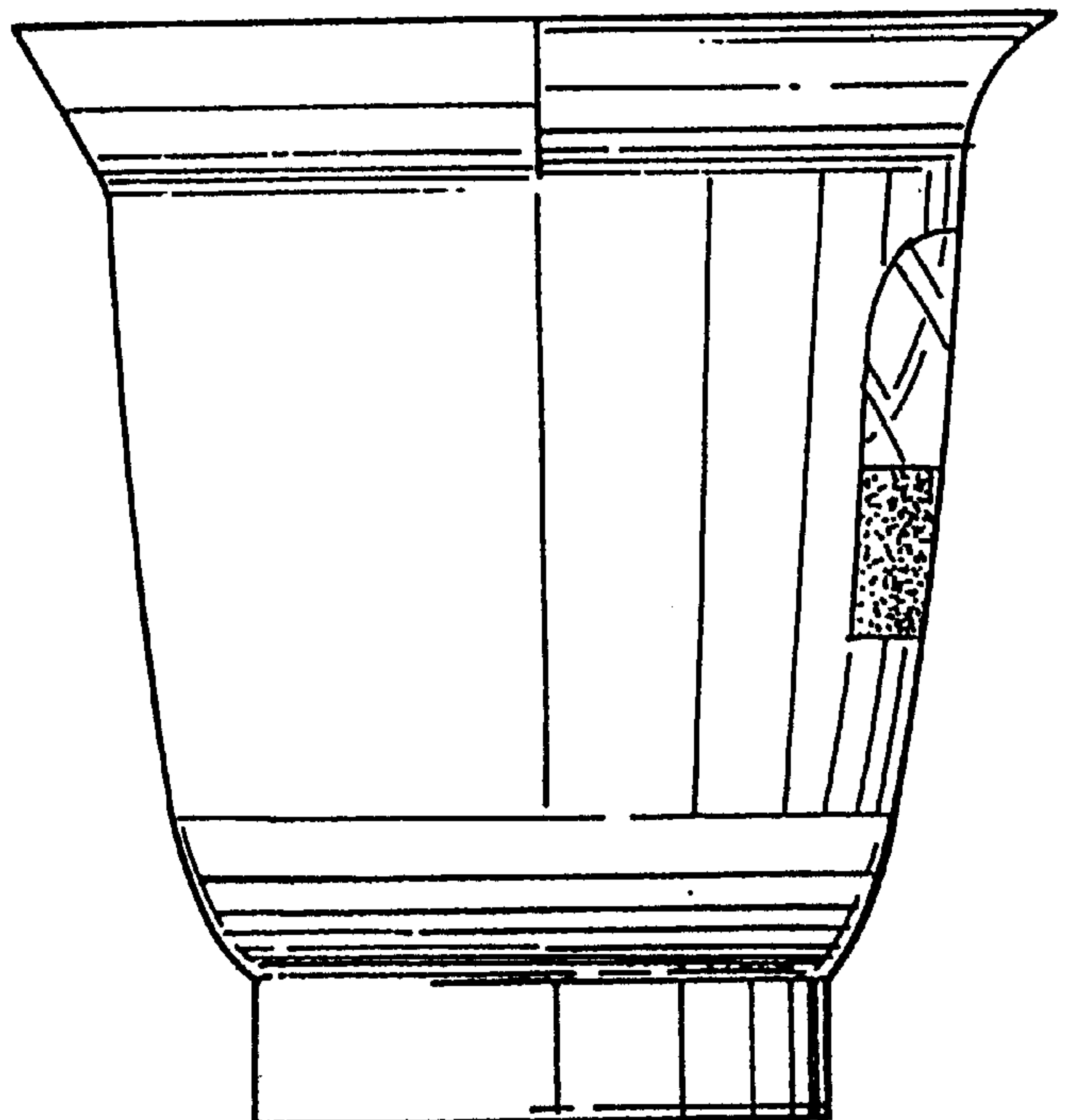


FIG. 5

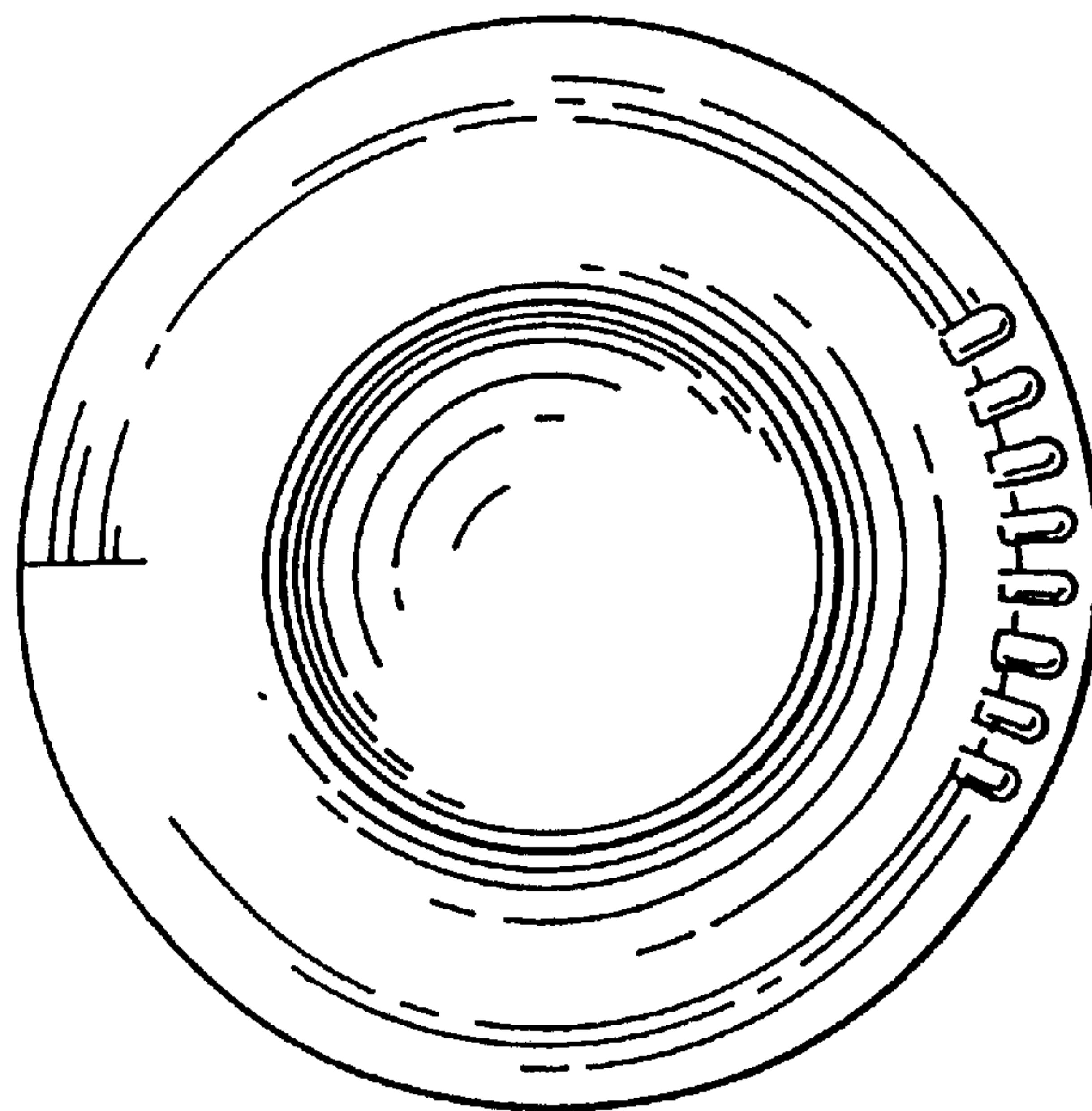
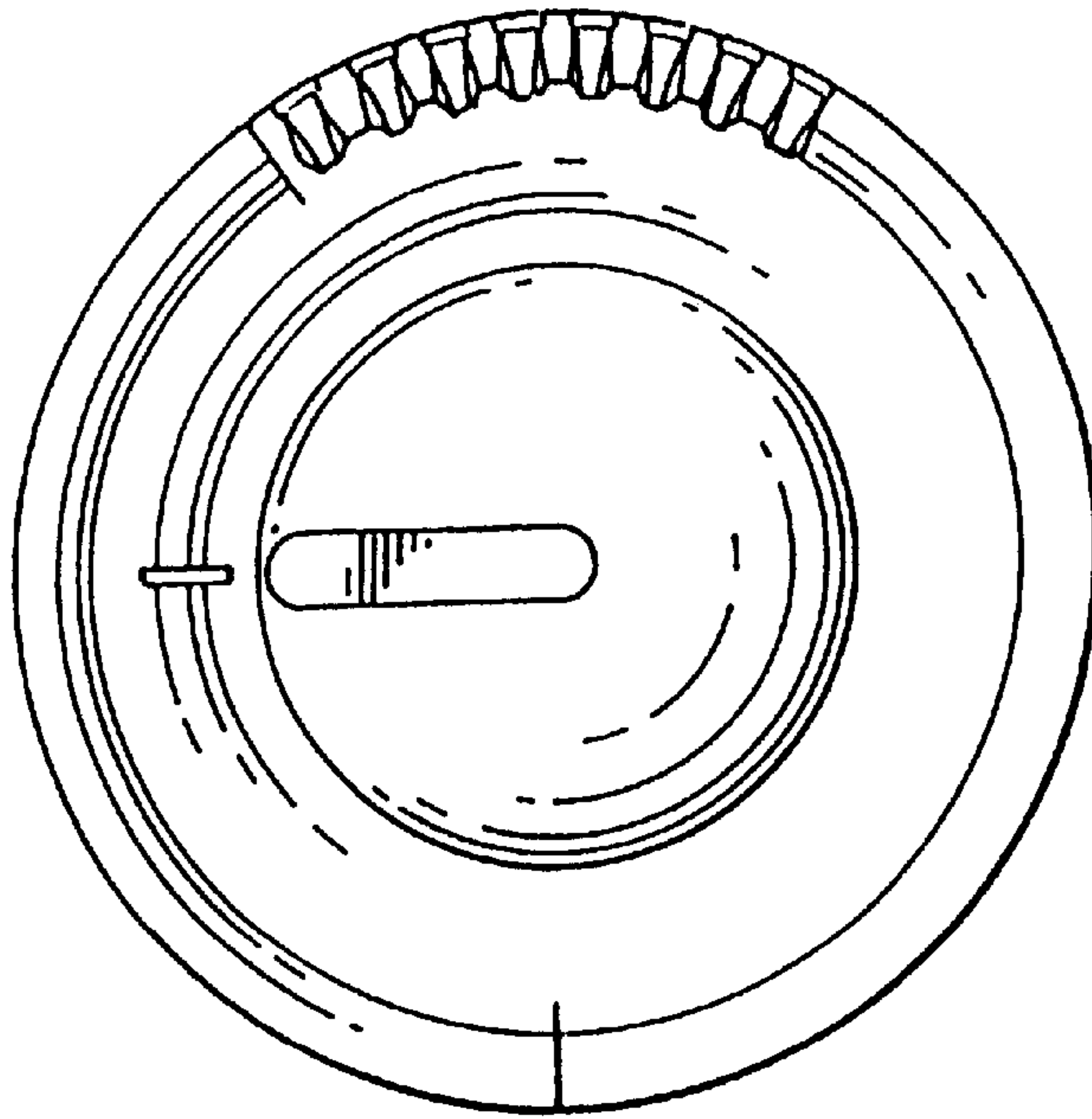


FIG. 6

FIG. 7

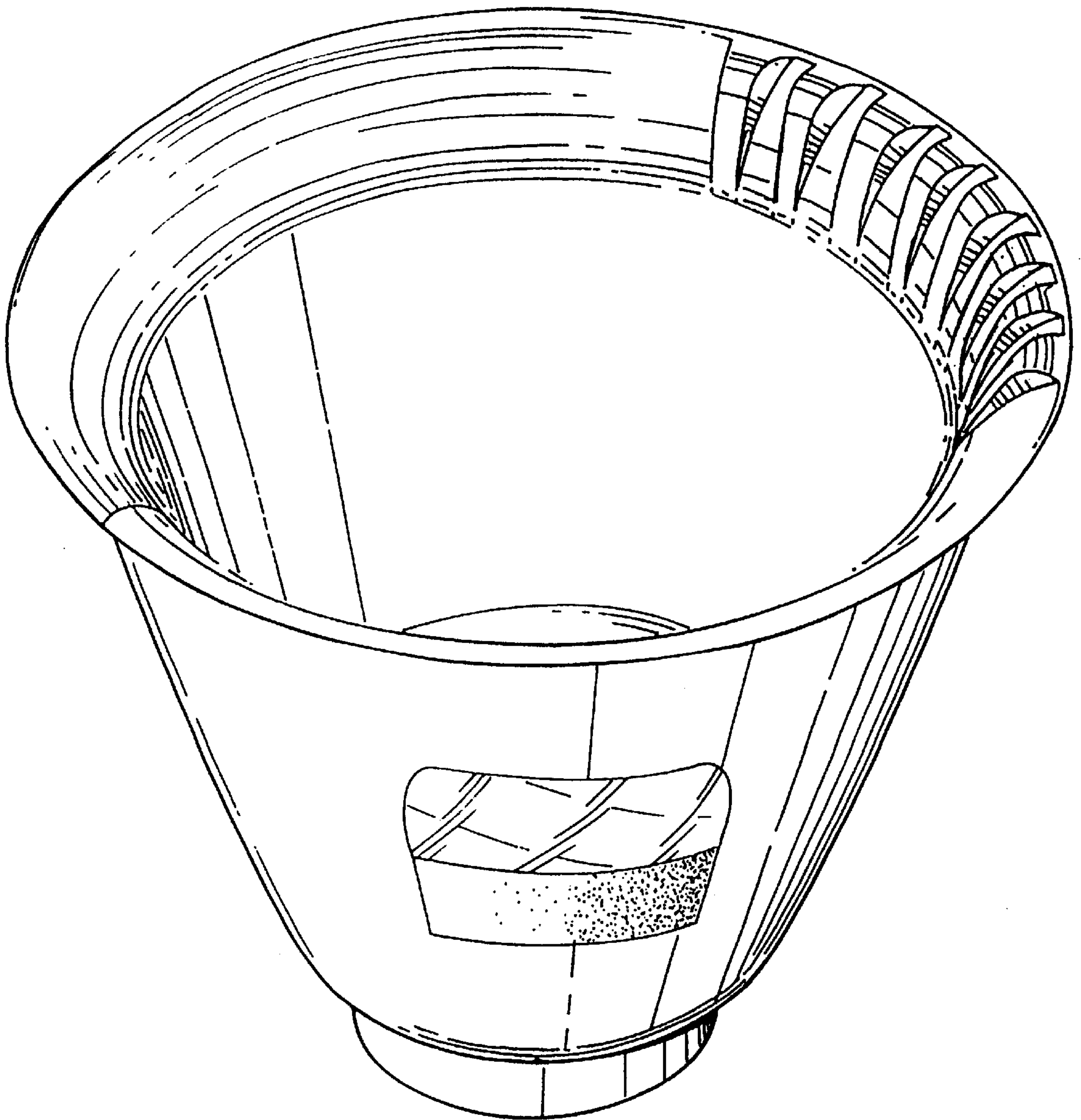


FIG. 8

