



US00D459945S

(12) **United States Design Patent**  
**Bodum**

(10) **Patent No.:** **US D459,945 S**

(45) **Date of Patent:** **\*\* Jul. 9, 2002**

(54) **CHIMNEY STARTER**

(75) Inventor: **Jørgen Bodum, St. Niklausen (CH)**

(73) Assignee: **PL-Design AG, Triengen (CH)**

(\*\*) Term: **14 Years**

(21) Appl. No.: **29/142,007**

(22) Filed: **May 18, 2001**

(30) **Foreign Application Priority Data**

May 15, 2001 (DK) ..... MA 2001 00521

(51) **LOC (7) Cl.** ..... **07-91**

(52) **U.S. Cl.** ..... **D7/417**

(58) **Field of Search** ..... D7/416, 417, 394;  
126/25 B, 146, 144, 9 A, 162; 44/540;  
219/161, 260; 431/13

(56) **References Cited**

**U.S. PATENT DOCUMENTS**

3,167,040	A	*	1/1965	Byars, Sr. et al.	.....	126/25	B
3,339,505	A	*	9/1967	Bean	.....	126/25	B
3,453,975	A	*	7/1969	Gunter	.....	126/25	B
3,739,732	A	*	6/1973	Graham	.....	126/25	B
3,903,866	A	*	9/1975	Polinski	.....	126/25	B
3,974,821	A	*	8/1976	Storandt	.....	126/25	B
4,026,265	A	*	5/1977	Spadaro	.....	126/25	B
4,094,649	A	*	6/1978	Osterried	.....	126/25	B
4,227,510	A	*	10/1980	Frazier et al.	.....	126/25	B

4,282,854	A	*	8/1981	Byars	.....	126/25	B
D262,053	S	*	11/1981	Gavino	.....	D7/417	
4,321,907	A	*	3/1982	Sutter	.....	126/25	B
4,417,565	A	*	11/1983	Karpinia	.....	126/25	B
4,461,270	A	*	7/1984	Sutter	.....	126/25	B
4,531,507	A	*	7/1985	Gerson	.....	126/25	B
4,604,986	A	*	8/1986	Barnes	.....	126/25	B
4,909,237	A	*	3/1990	Karpinia	.....	126/25	B
5,197,455	A	*	3/1993	Tessien	.....	126/25	B
5,230,325	A	*	7/1993	Williams	.....	126/25	B
D366,392	S	*	1/1996	Stephen et al.	.....	D7/417	

\* cited by examiner

*Primary Examiner*—M. N. Pandozzi

(74) *Attorney, Agent, or Firm*—Nath & Associates PLLC;  
Gary M. Nath

(57) **CLAIM**

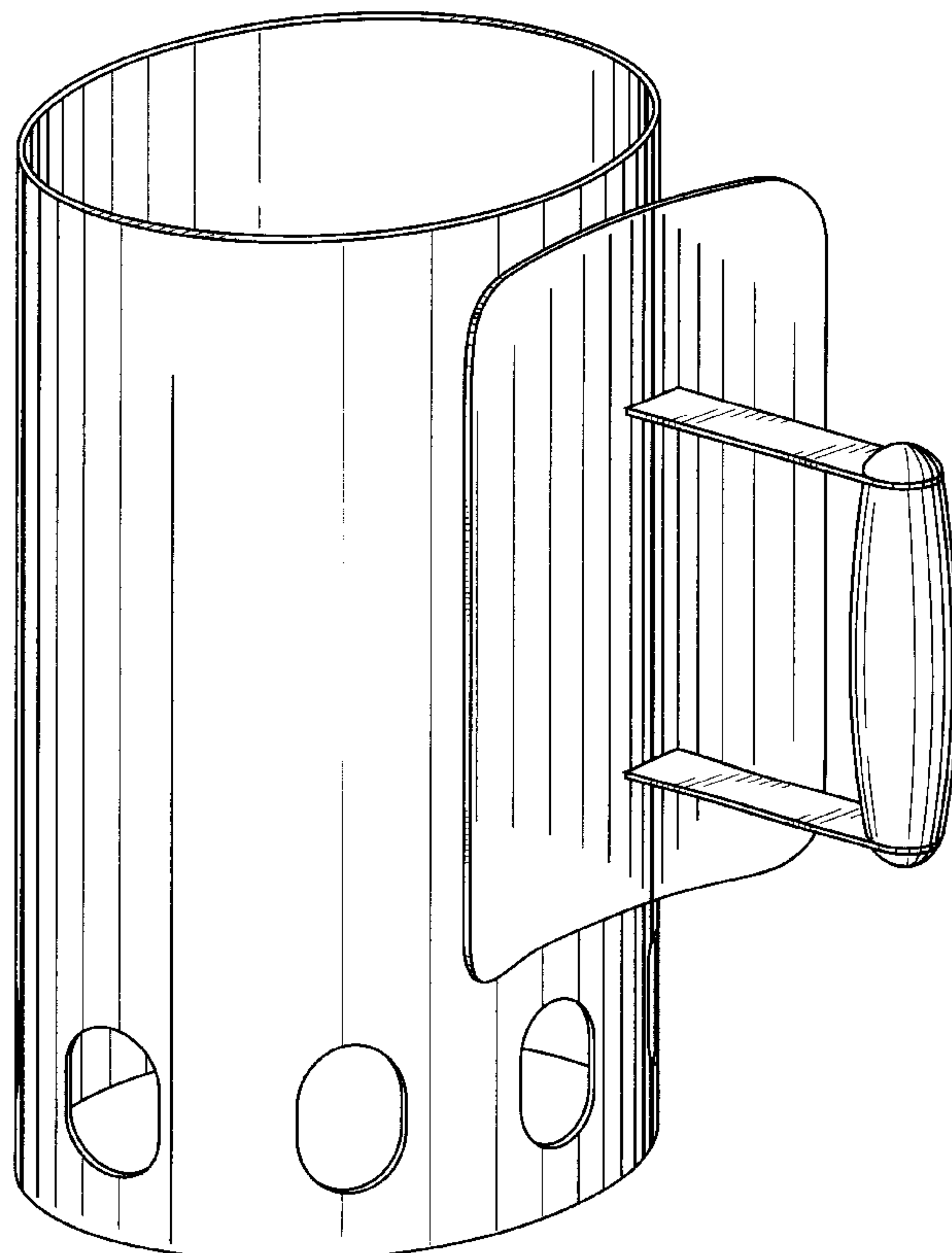
The ornamental design for a chimney starter, as shown and described.

**DESCRIPTION**

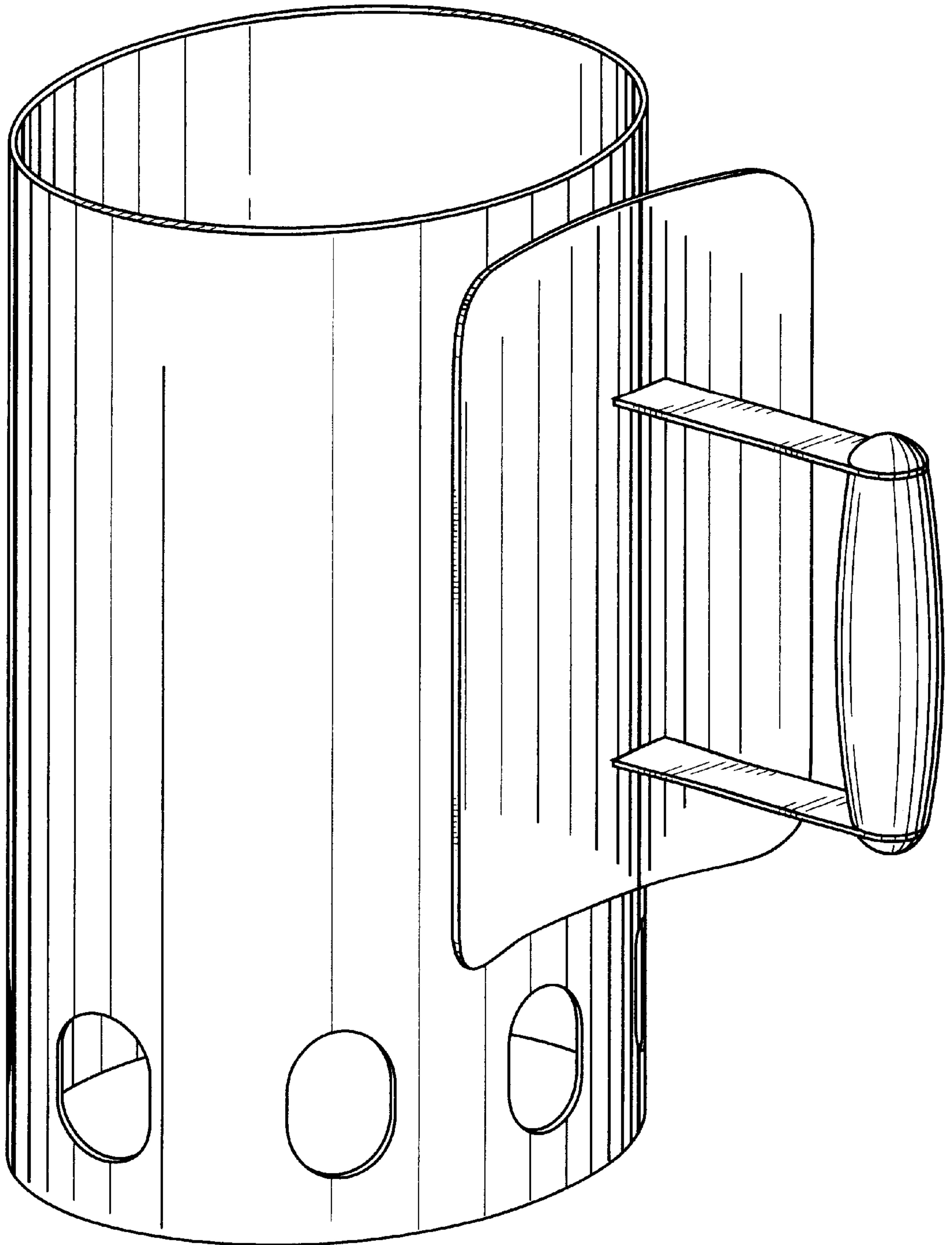
FIG. 1 is an oblique perspective view of the chimney starter; FIG. 2 is a right side view of the chimney starter, as shown in FIG. 1;

FIG. 3 is a left side view of the chimney starter; FIG. 4 is a front side view of the chimney starter; FIG. 5 is a back side view of the chimney starter; FIG. 6 is a top view of the chimney starter; and, FIG. 7 is a bottom view of the chimney starter.

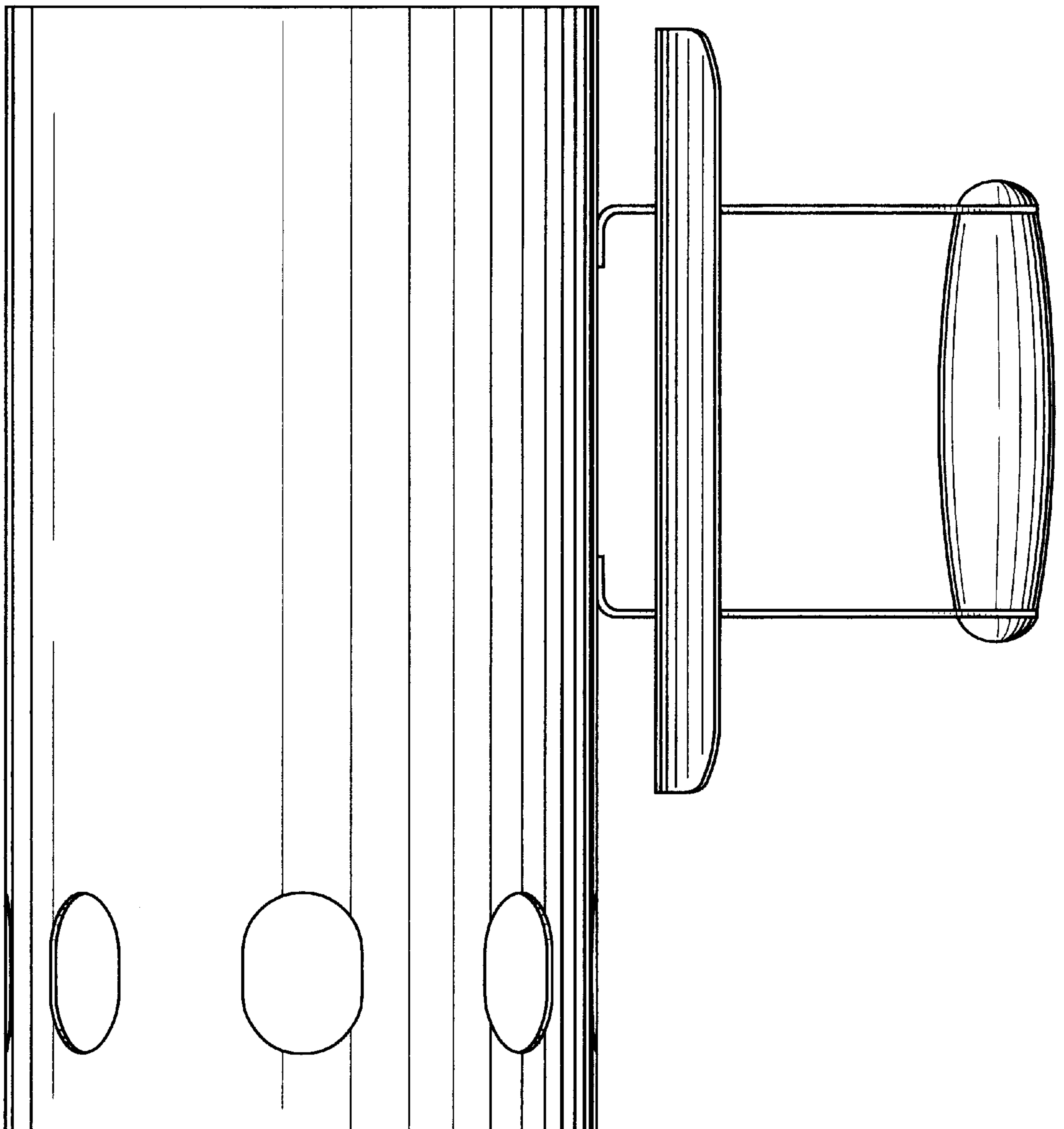
**1 Claim, 7 Drawing Sheets**



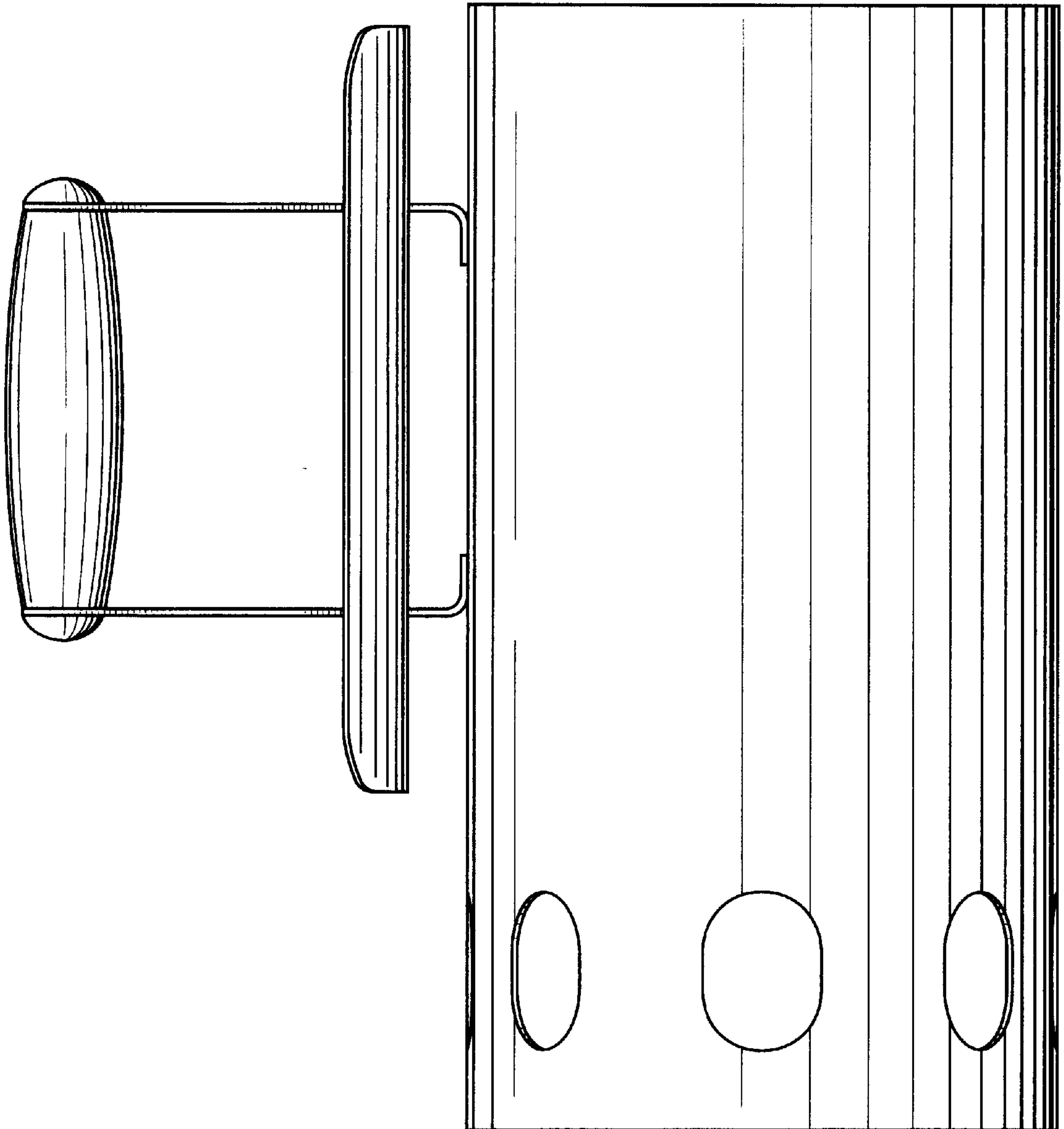
**FIG. 1**



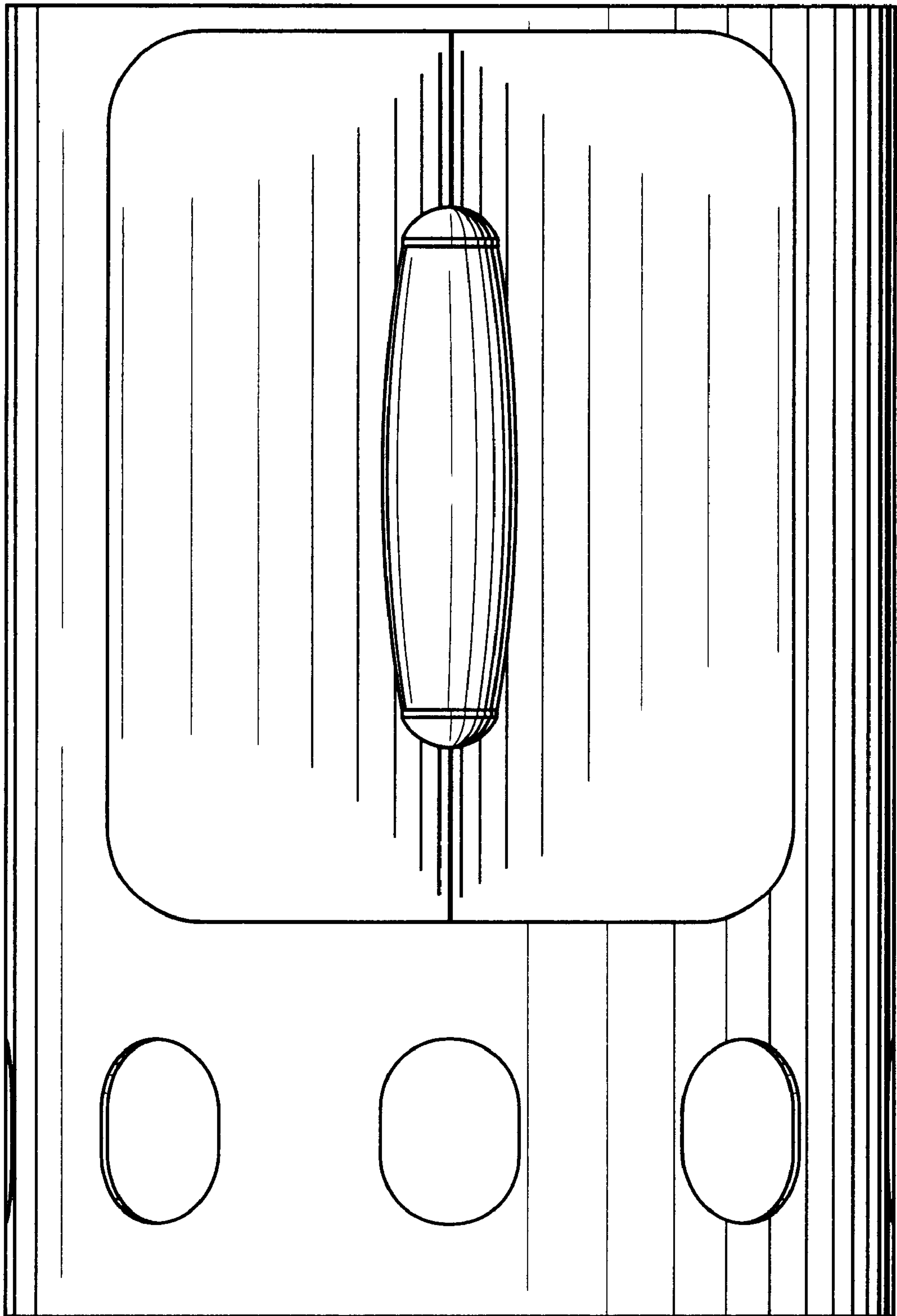
**FIG. 2**



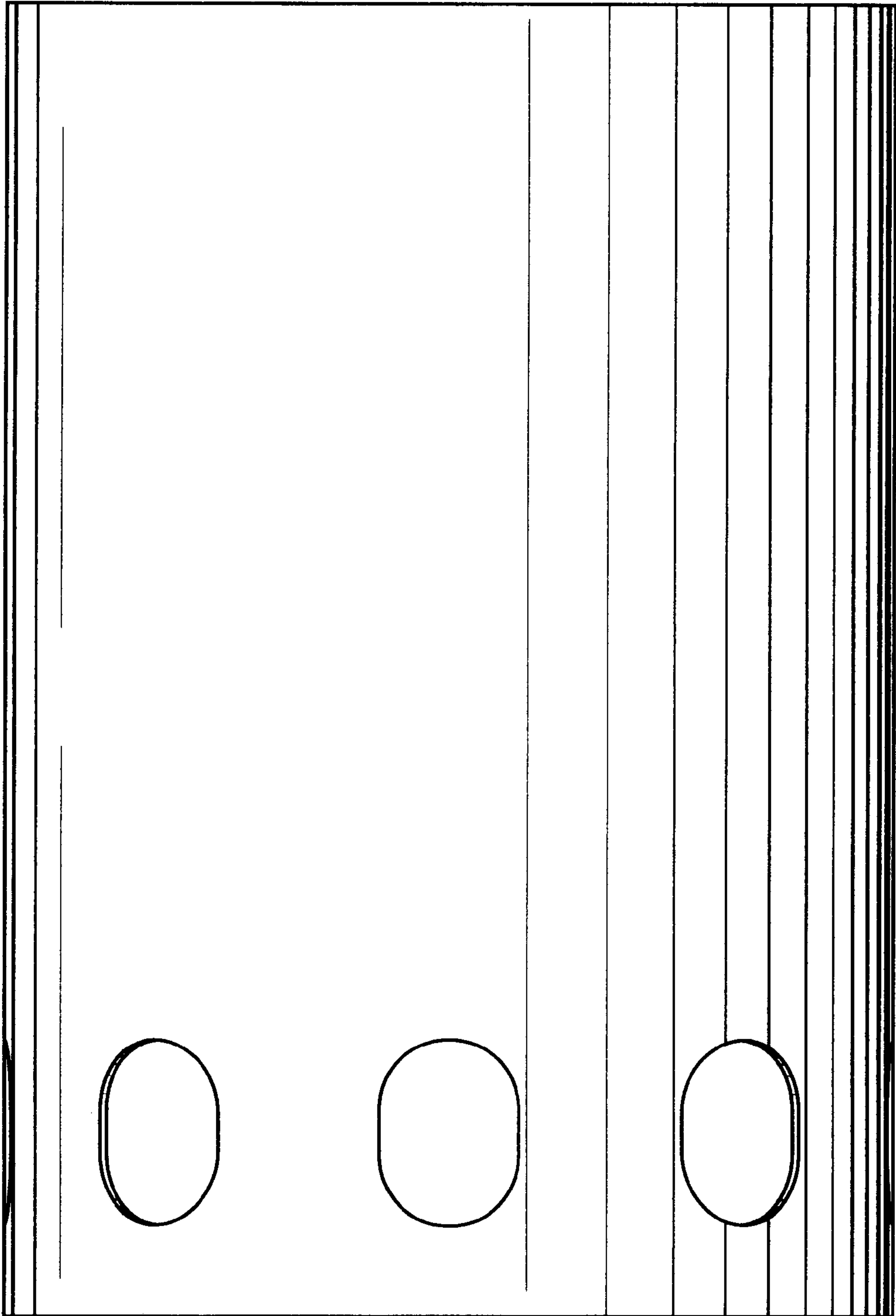
**FIG. 3**



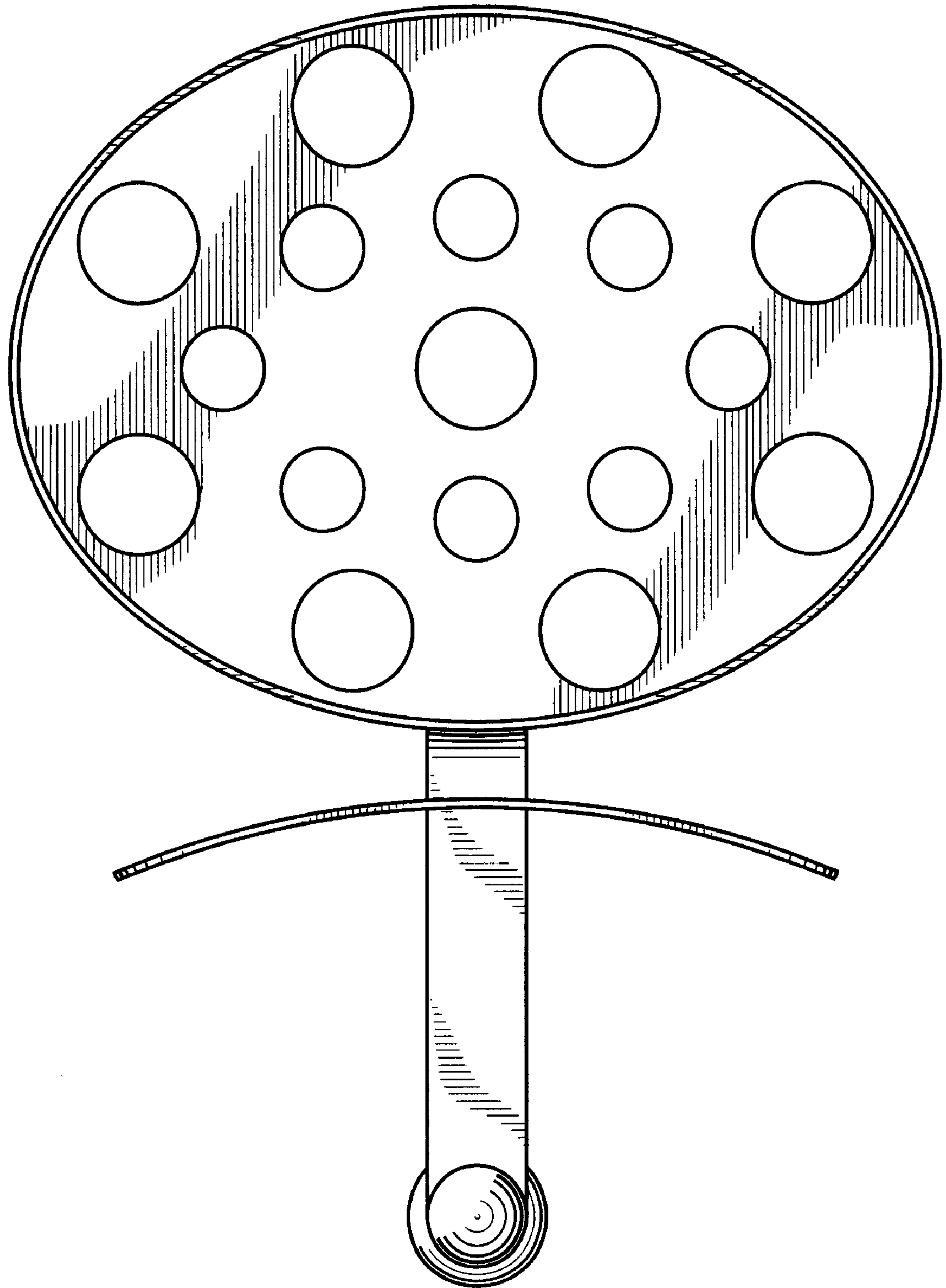
**FIG. 4**



# FIG. 5



**FIG. 6**





**FIG. 7**

