



US00D459942S

(12) **United States Design Patent**  
**Miller**

(10) **Patent No.:** **US D459,942 S**

(45) **Date of Patent:** **\*\* \*Jul. 9, 2002**

(54) **MUG HANDLE**

(75) **Inventor:** **D. Scott Miller**, Orlando, FL (US)

(73) **Assignee:** **Dart Industries Inc.,** Orlando, FL (US)

(\*) **Notice:** This patent is subject to a terminal disclaimer.

(\*\*) **Term:** **14 Years**

(21) **Appl. No.:** **29/087,686**

(22) **Filed:** **May 7, 1998**

(51) **LOC (7) Cl.** ..... **07-99**

(52) **U.S. Cl.** ..... **D7/394; D7/536; D7/396.2**

(58) **Field of Search** ..... **D7/393, 394, 395, D7/536, 319, 600; D8/DIG. 9, 303; D6/316; 16/DIG. 19, DIG. 12, 408; 294/137**

(56) **References Cited**

**U.S. PATENT DOCUMENTS**

2,527,447	A	10/1950	Perl	
D221,174	S	* 7/1971	Benes	..... D7/536
D253,214	S	10/1979	Wilson	
D265,279	S	7/1982	Wright	
D273,745	S	5/1984	Jagger	
D279,948	S	* 8/1985	Weernink	..... D7/536
D291,405	S	* 8/1987	Finesman et al.	..... D8/DIG. 9
D305,194	S	* 12/1989	Durand	..... D7/536
4,928,848	A	5/1990	Ballway	
D308,458	S	* 6/1990	Stutzer	..... D7/317

D317,260	S	6/1991	Nylander	
D321,301	S	11/1991	Purkapile	
D342,416	S	* 12/1993	Morgan	..... D7/319
D348,176	S	6/1994	Sokolski et al.	
D356,004	S	3/1995	VanValkenburg et al.	
D365,492	S	12/1995	Rorke	
D389,369	S	* 1/1998	Hippen	..... D7/319
D394,982	S	* 6/1998	Huang	..... D7/319
D409,446	S	* 5/1999	St. John et al.	..... D7/536

\* cited by examiner

*Primary Examiner*—M. N. Pandozzi

(74) *Attorney, Agent, or Firm*—Taylor J. Ross

(57) **CLAIM**

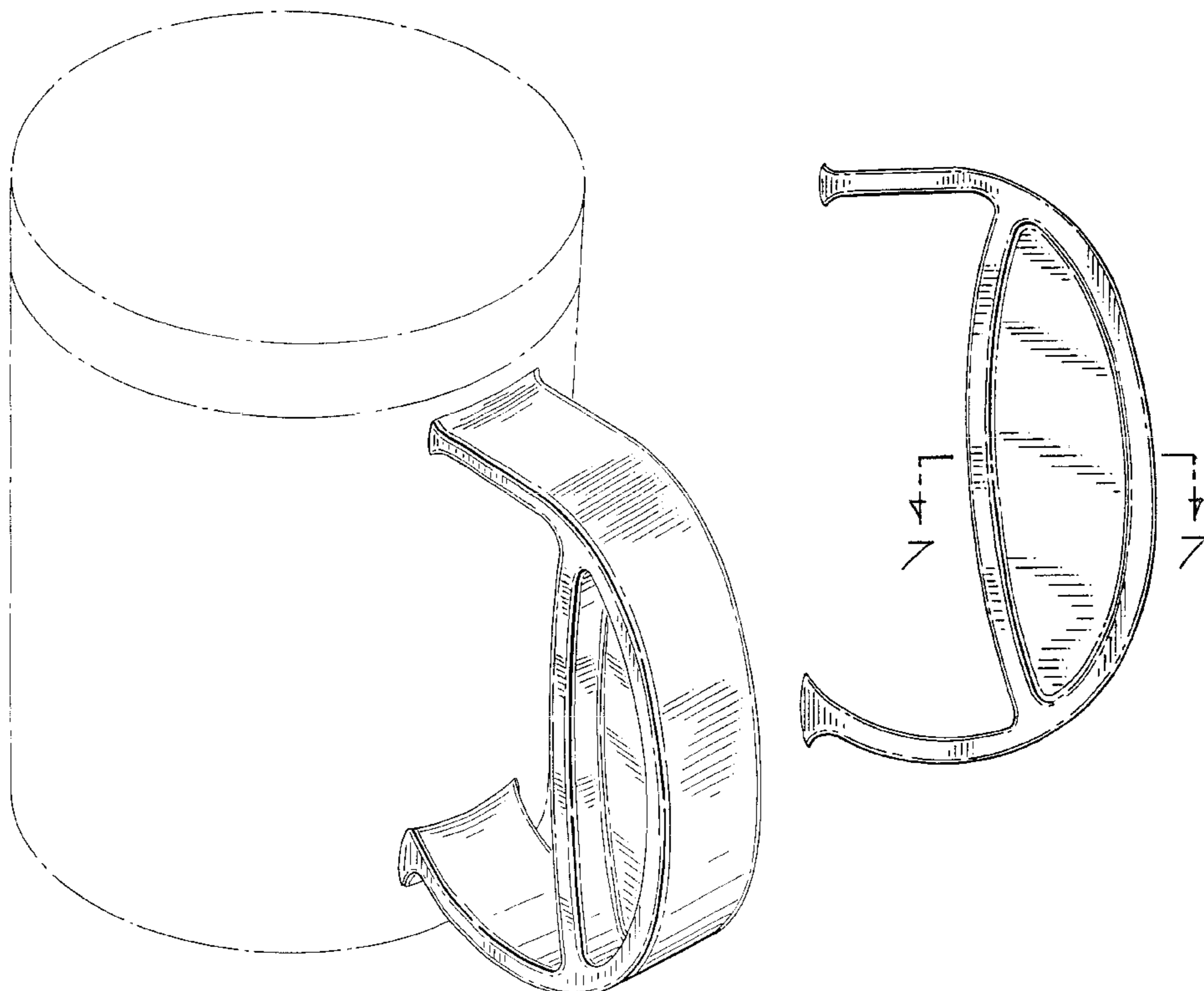
The ornamental design for a mug handle, as shown and described.

**DESCRIPTION**

FIG. 1 is a top and side perspective view of a mug handle showing my new design;  
 FIG. 2 is a top plan view thereof;  
 FIG. 3 is a bottom plan view thereof;  
 FIG. 4 is a side elevation view thereof, the opposite side being a mirror image;  
 FIG. 5 is an inner end elevation view thereof;  
 FIG. 6 is an outer end elevation view thereof; and,  
 FIG. 7 is a transverse sectional cross-sectional view taken along line 7—7 of FIG. 4.

The broken line showing of a mug in FIG. 1 is for illustrative purposes only and forms no part of the claimed design.

**1 Claim, 2 Drawing Sheets**



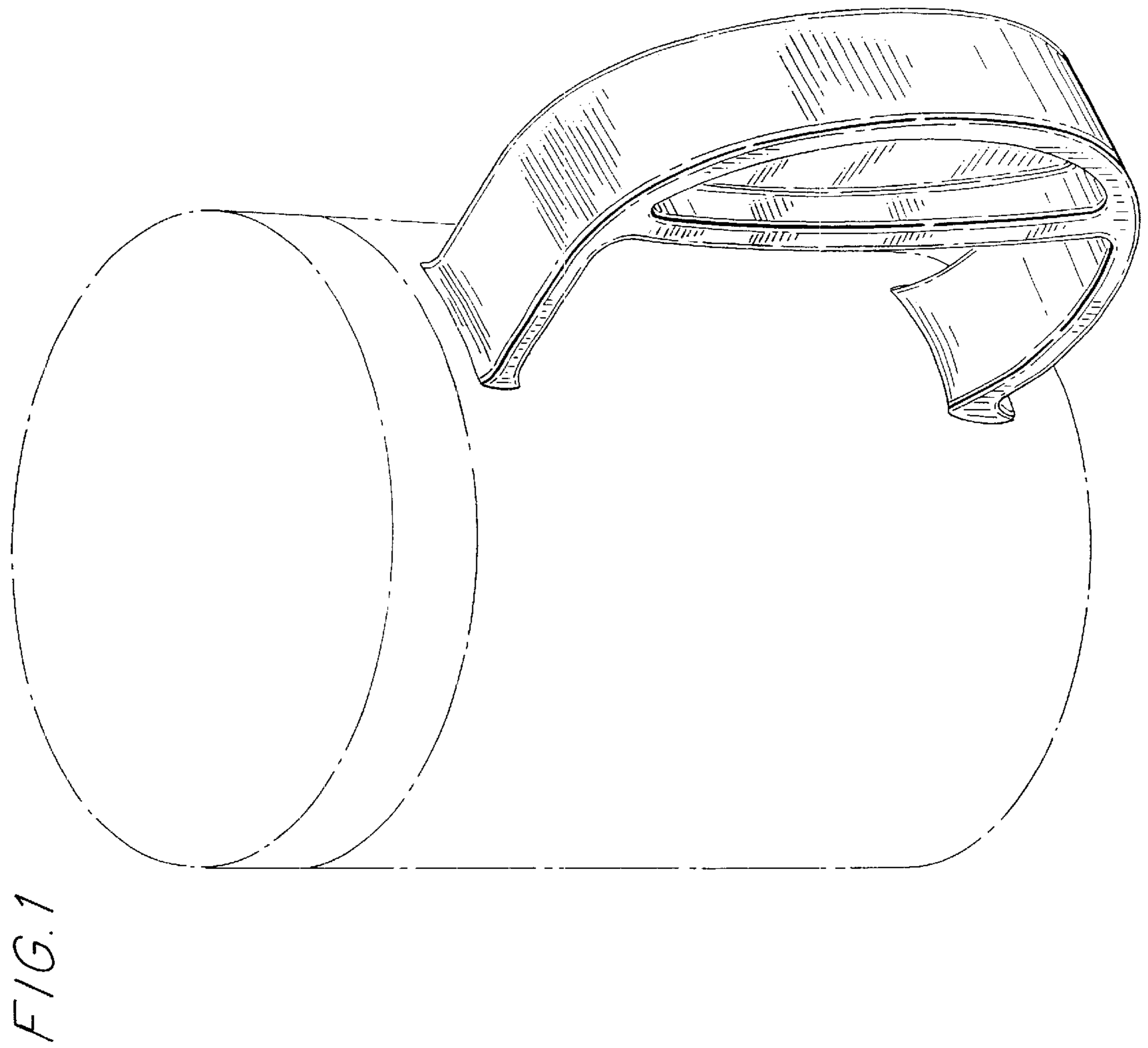


FIG. 2

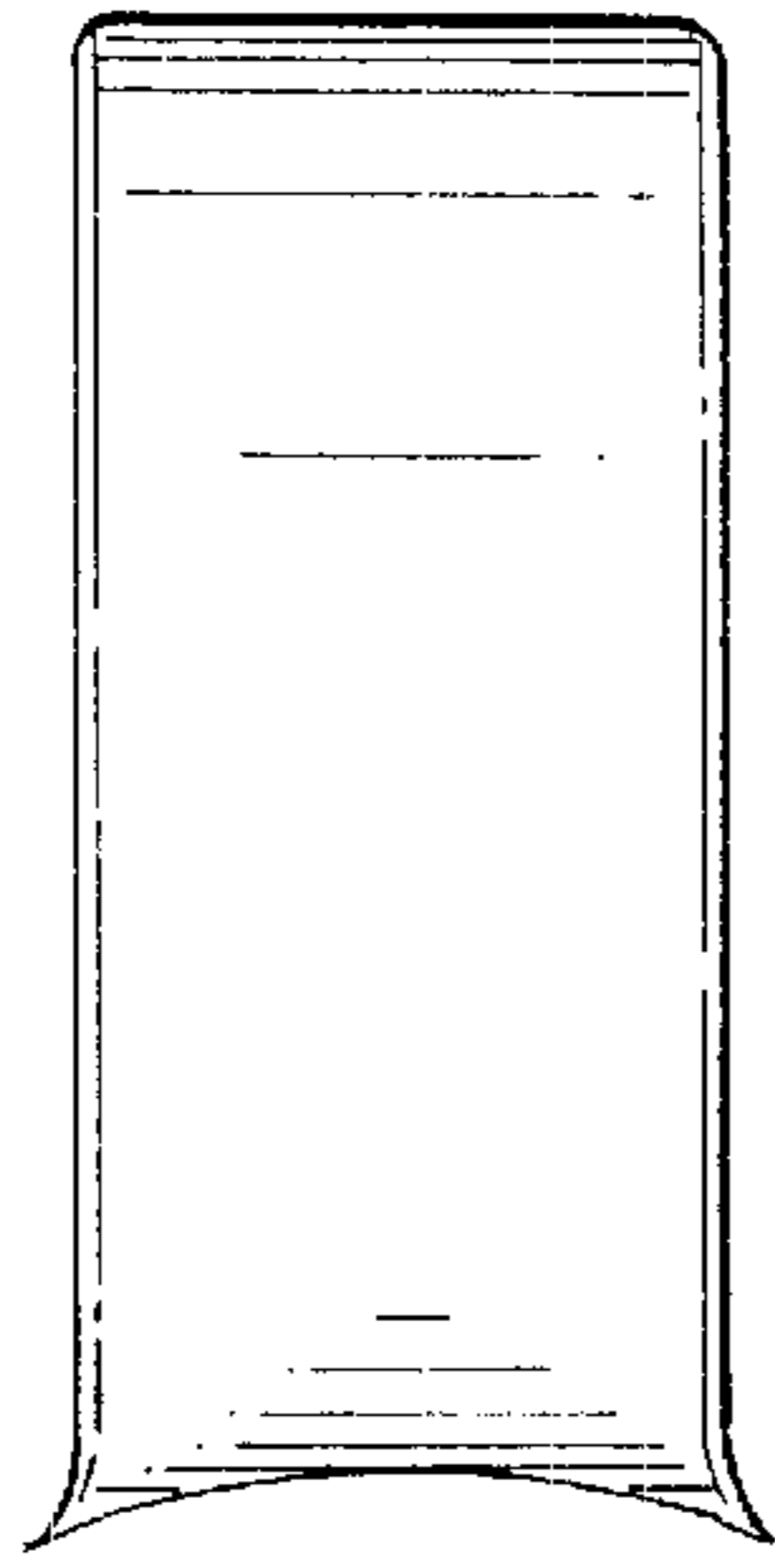


FIG. 3

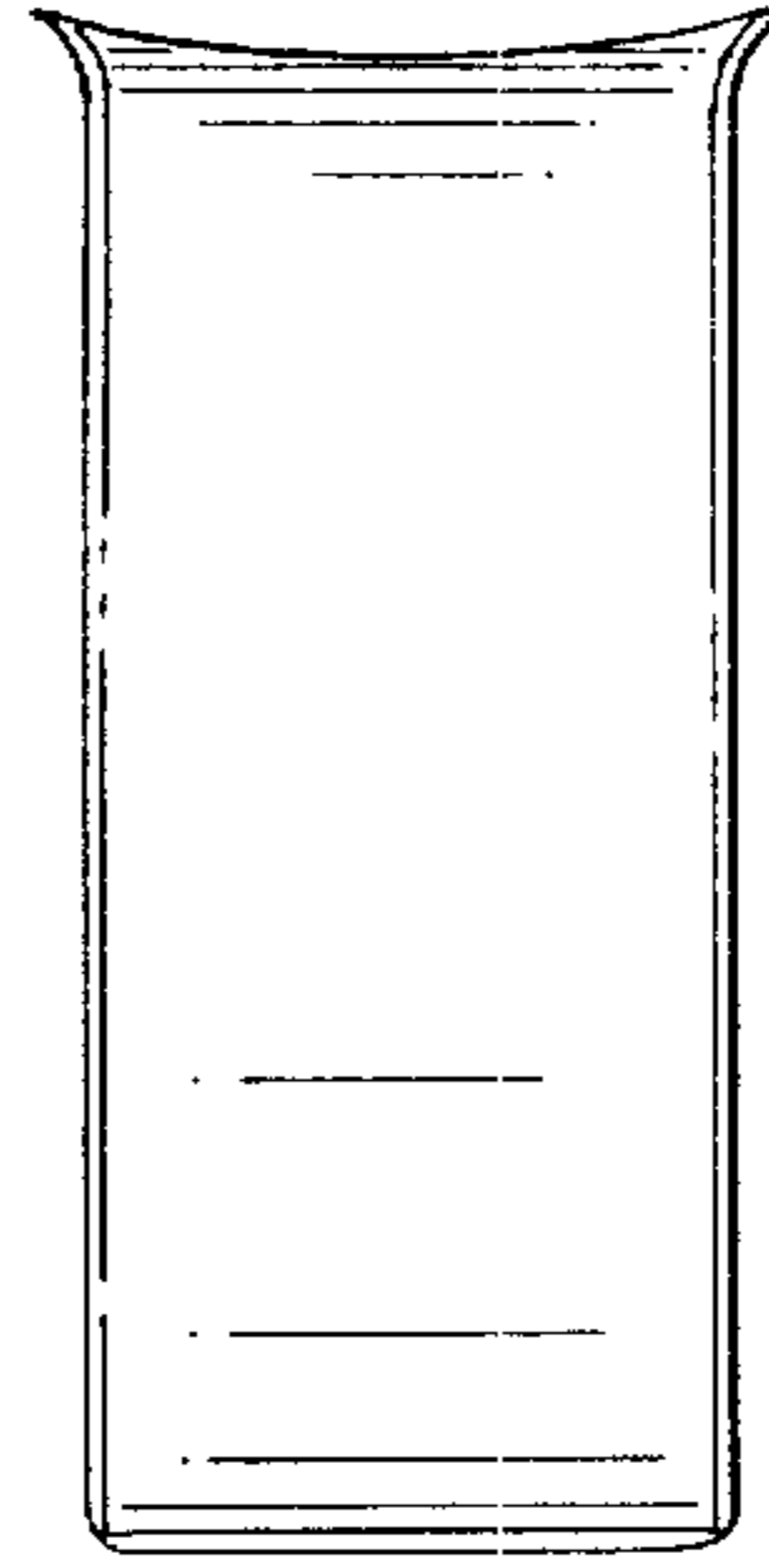


FIG. 6

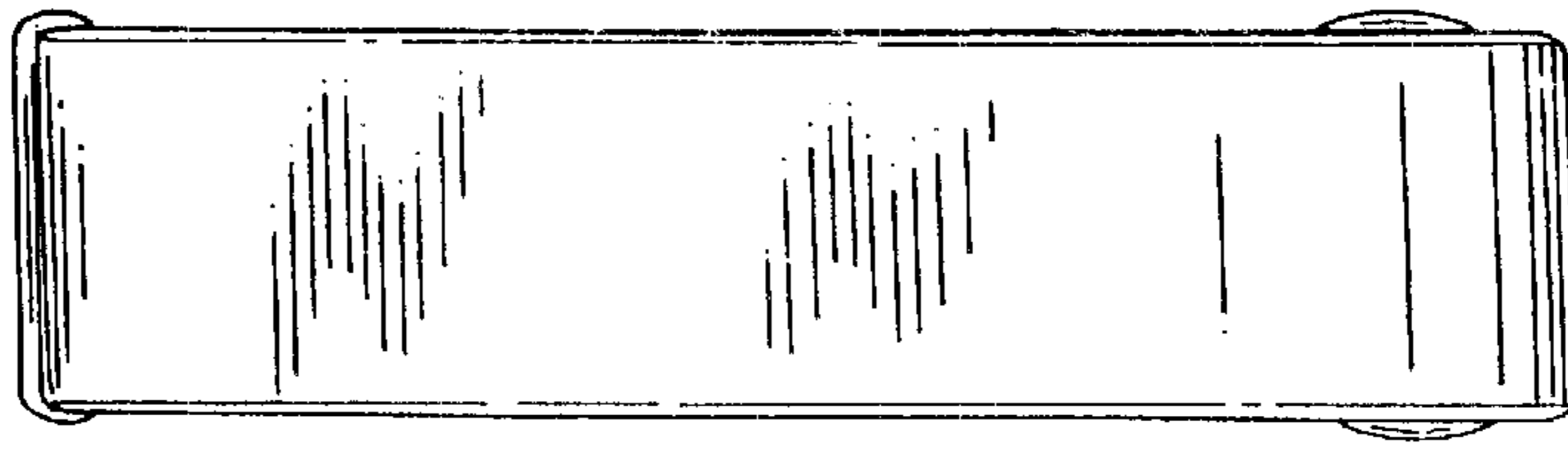


FIG. 5

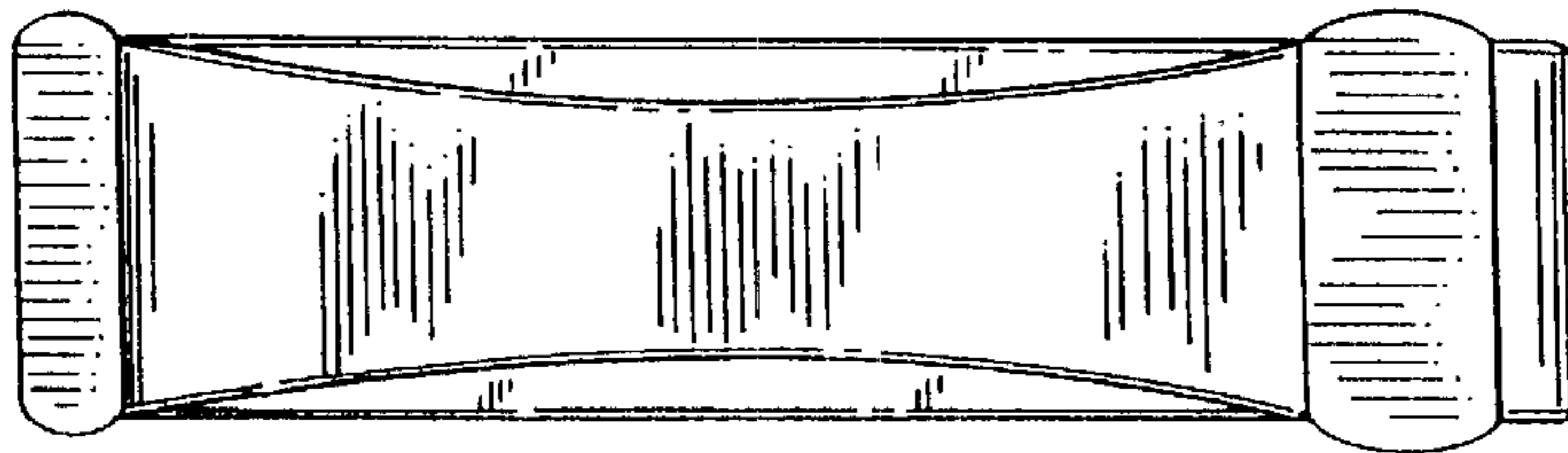


FIG. 4

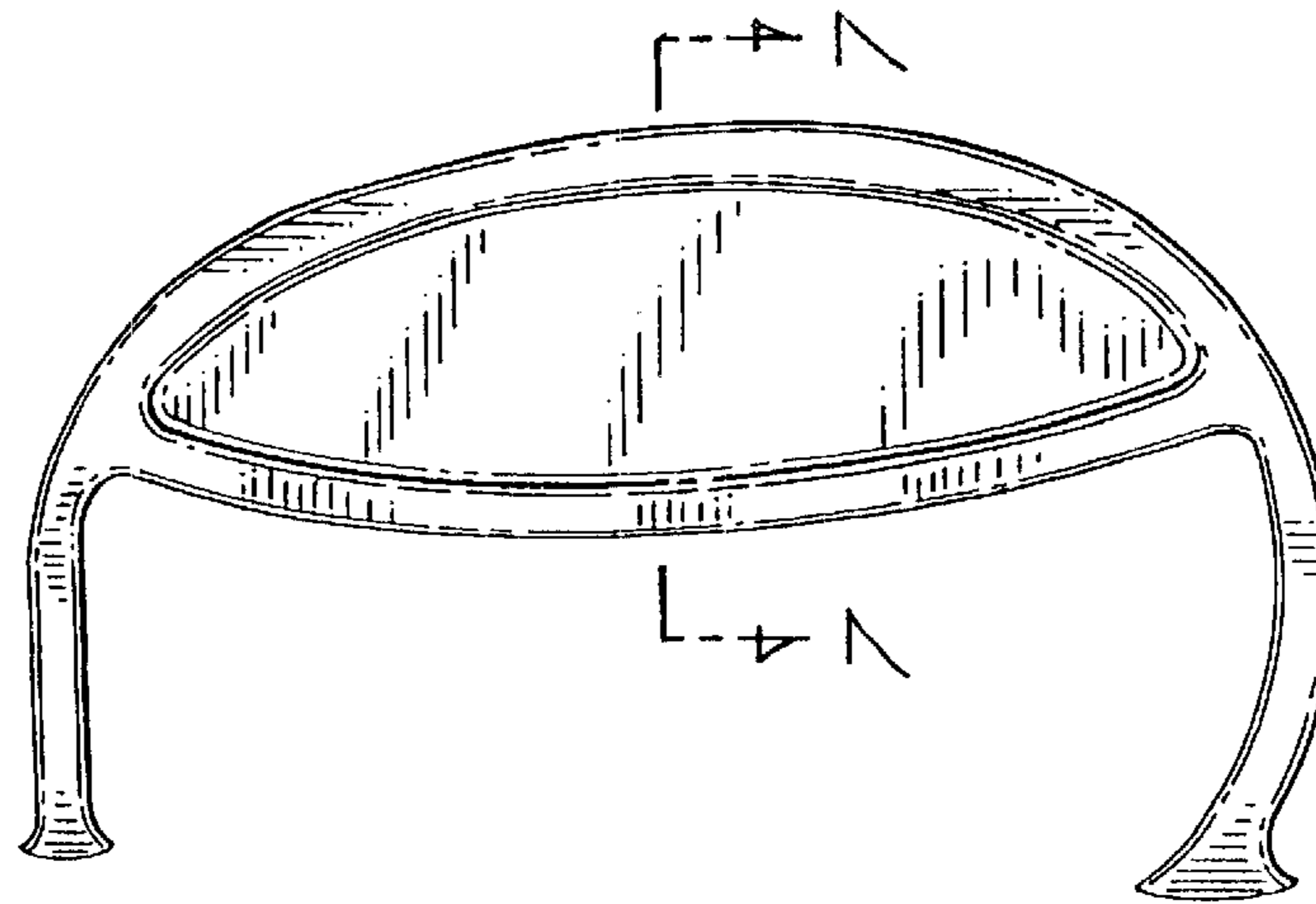


FIG. 7

