



US00D459938S

(12) **United States Design Patent**
Pai

(10) **Patent No.:** **US D459,938 S**

(45) **Date of Patent:** **** Jul. 9, 2002**

(54) **ROASTER**

(76) **Inventor:** **Lucas Pai**, 8 Fl.-2, No. 160, Sec. 1,
Chung-Kang Rd., Taichung (TW)

(**) **Term:** **14 Years**

(21) **Appl. No.:** **29/147,364**

(22) **Filed:** **Aug. 29, 2001**

(51) **LOC (7) Cl.** **07-02**

(52) **U.S. Cl.** **D7/334**

(58) **Field of Search** D7/332-337, 402-405;
126/25 R, 25 A, 25 AA, 29-30, 33, 38,
41 R; 99/421 H, 419, 427, 449

(56) **References Cited**

U.S. PATENT DOCUMENTS

D172,797 S	*	8/1954	Long	D7/334
2,787,995 A	*	4/1957	Alter	126/25 R
D322,909 S	*	1/1992	Parent et al.	D7/334
D351,308 S	*	10/1994	Pai	D7/334
D358,059 S	*	5/1995	Peterson et al.	D7/334

D361,466 S	*	8/1995	Peterson et al.	D7/334
D373,701 S	*	9/1996	Moore	D7/334
D395,979 S	*	7/1998	Picozza et al.	D7/334
D439,109 S	*	3/2001	Pai	D7/402
D450,525 S	*	11/2001	Giebel et al.	D7/334

* cited by examiner

Primary Examiner—Ruth McInroy

(74) *Attorney, Agent, or Firm*—Bacon & Thomas, PLLC

(57) **CLAIM**

The ornamental design for a roaster, as shown.

DESCRIPTION

FIG. 1 is a perspective view of a roaster showing my new design;

FIG. 2 is a front elevational view thereof;

FIG. 3 is a rear elevational view thereof;

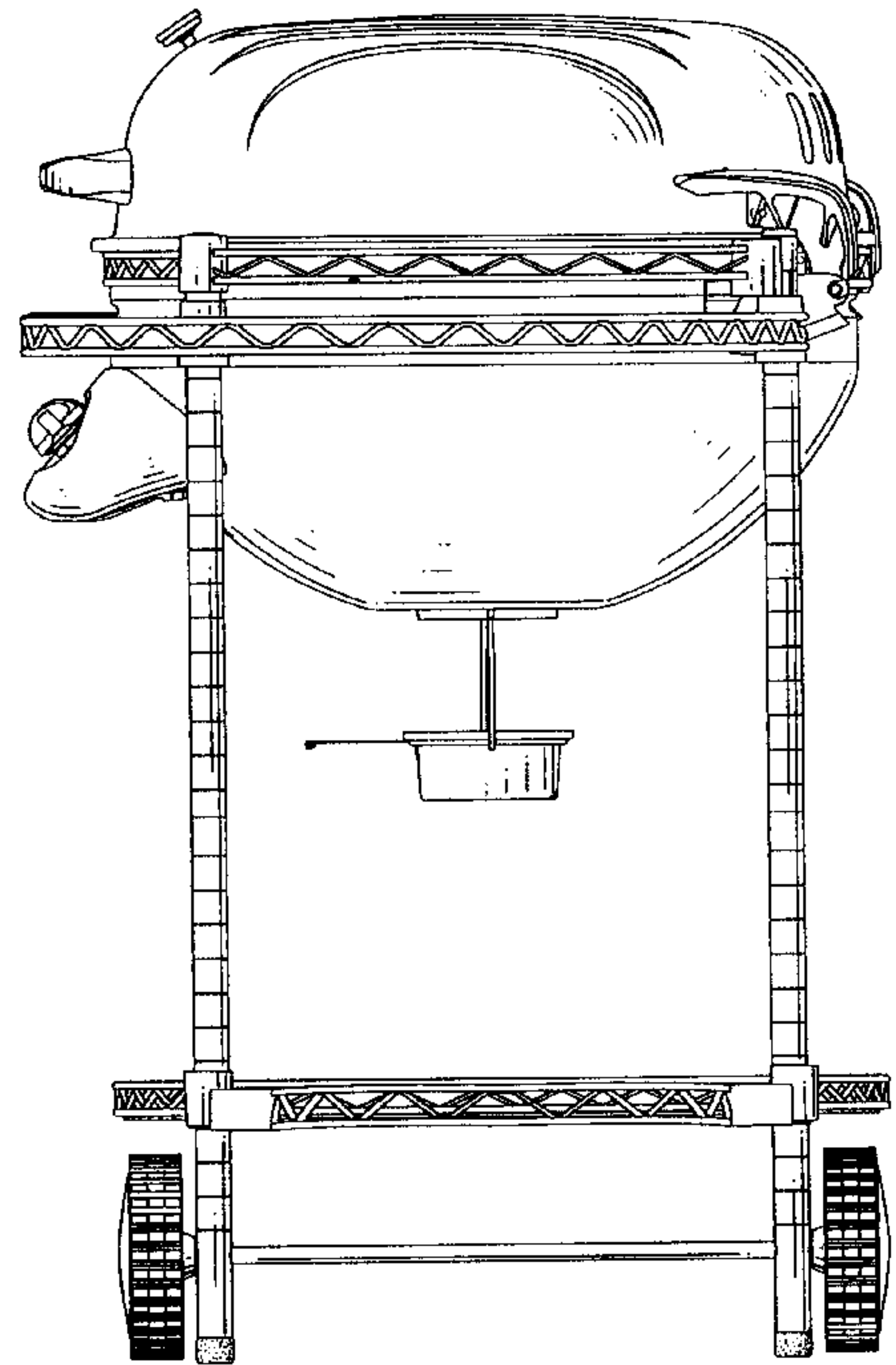
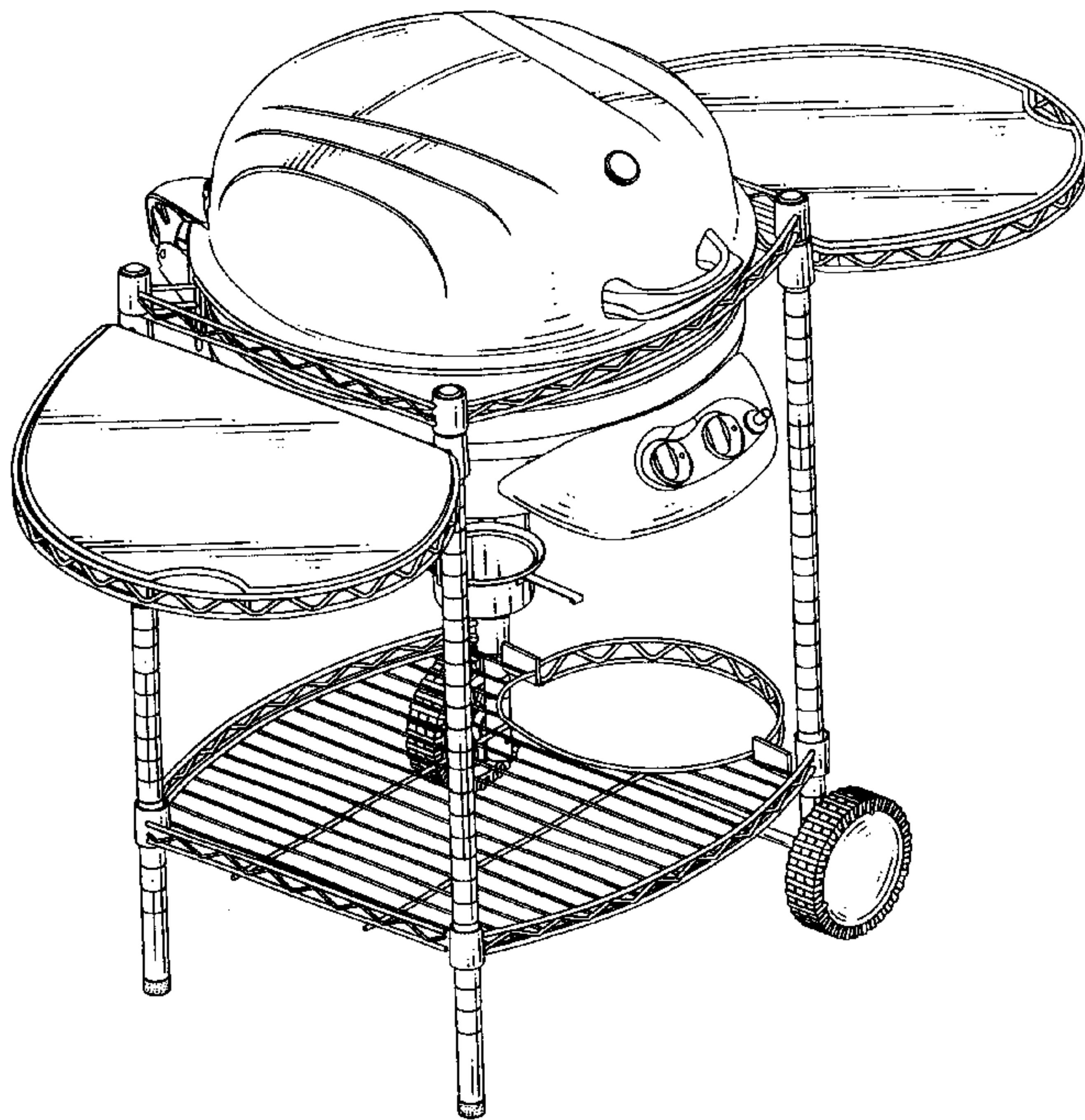
FIG. 4 is a left side view thereof;

FIG. 5 is a right side view thereof;

FIG. 6 is a top plain view thereof; and,

FIG. 7 is a bottom plain view thereof.

1 Claim, 7 Drawing Sheets



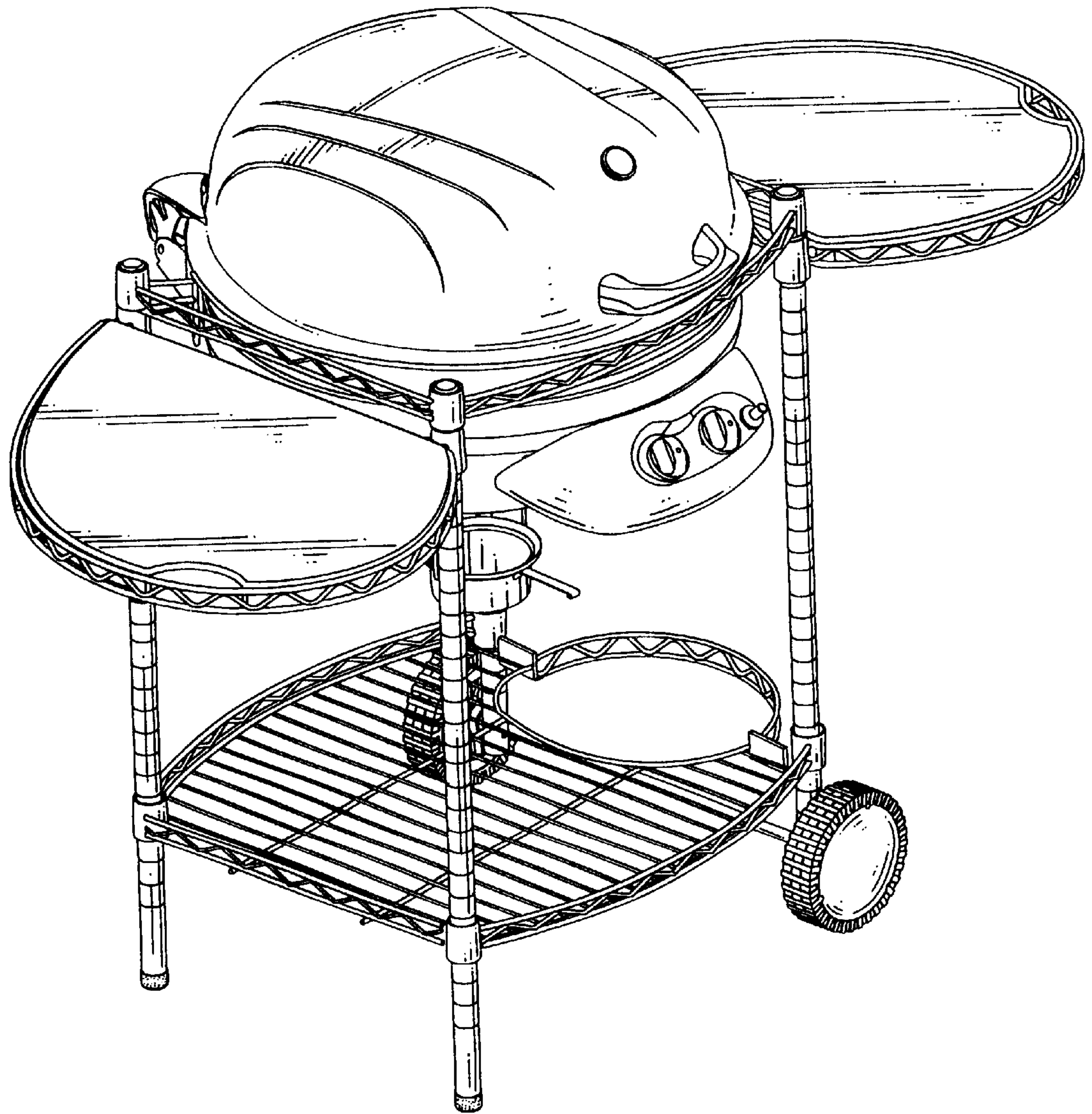


FIG. 1

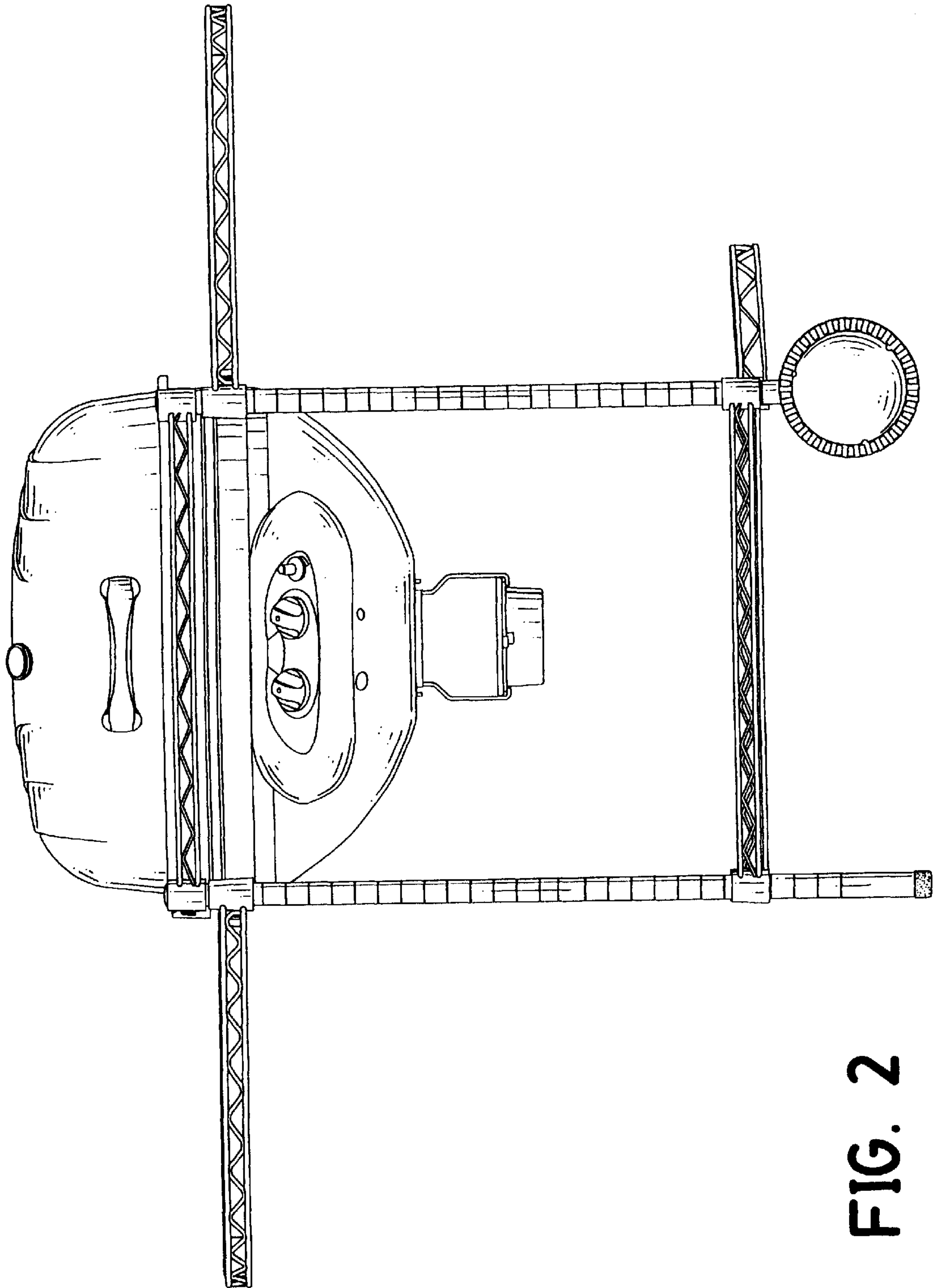


FIG. 2

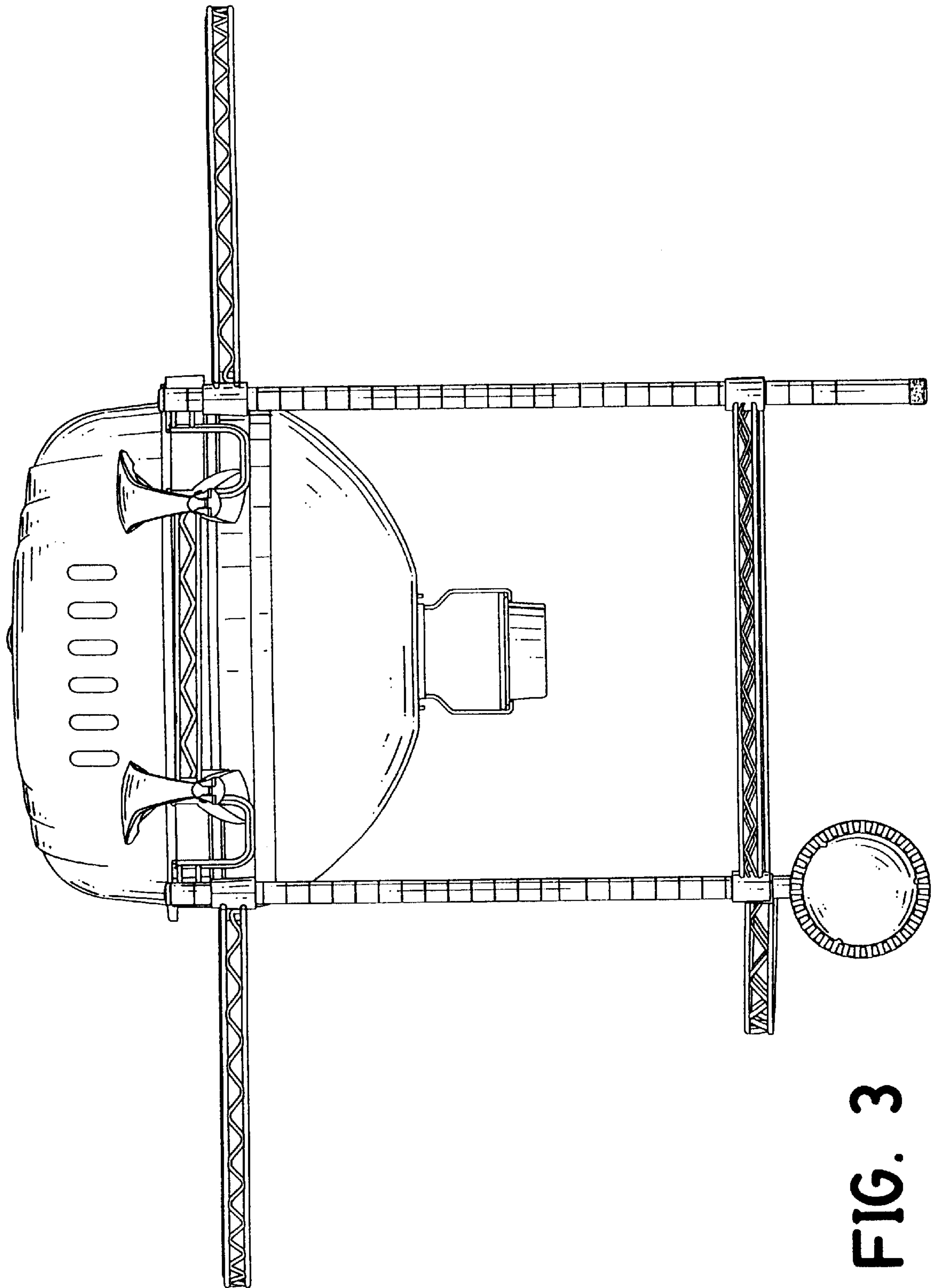


FIG. 3

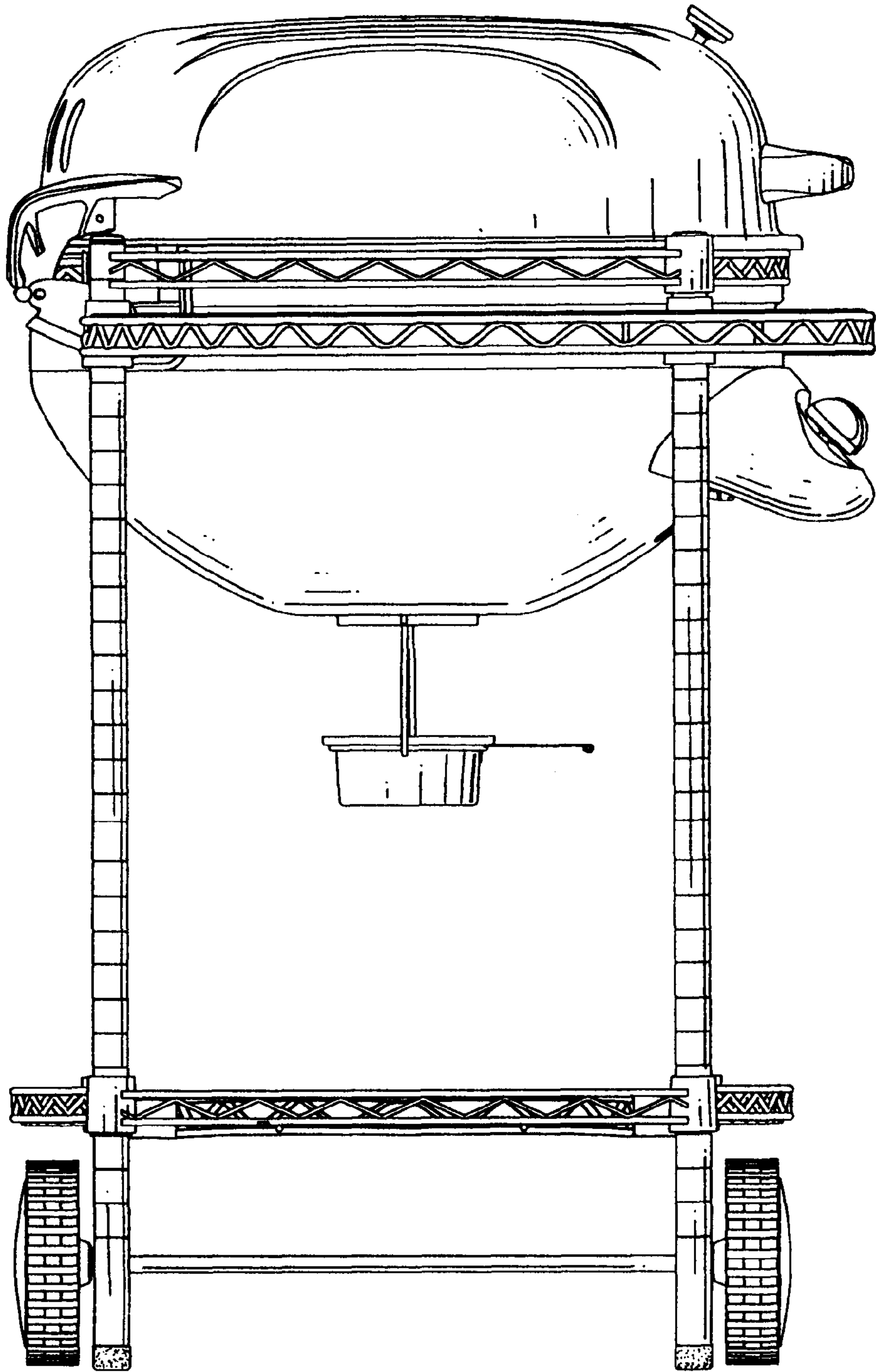


FIG. 4

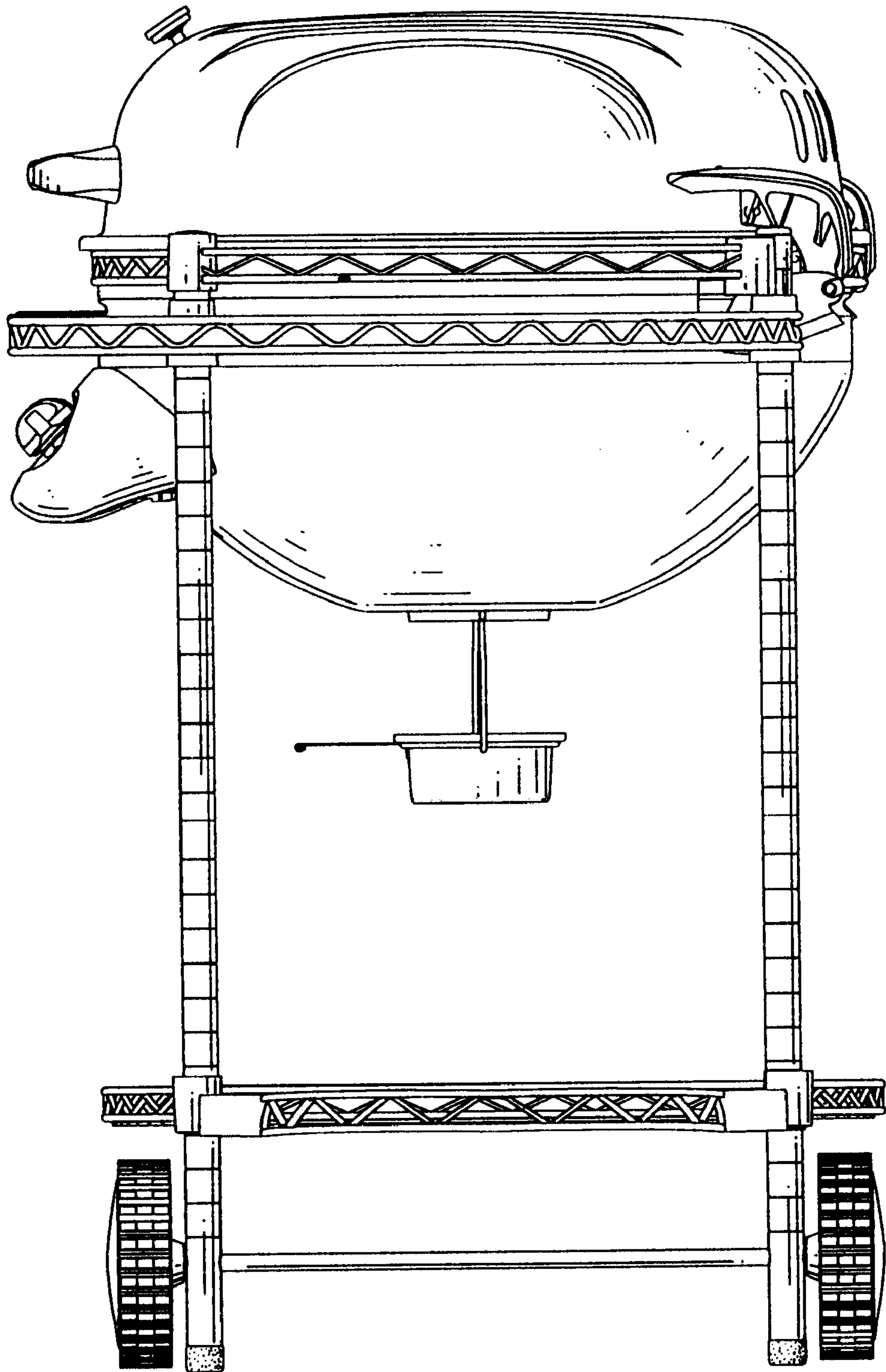


FIG. 5

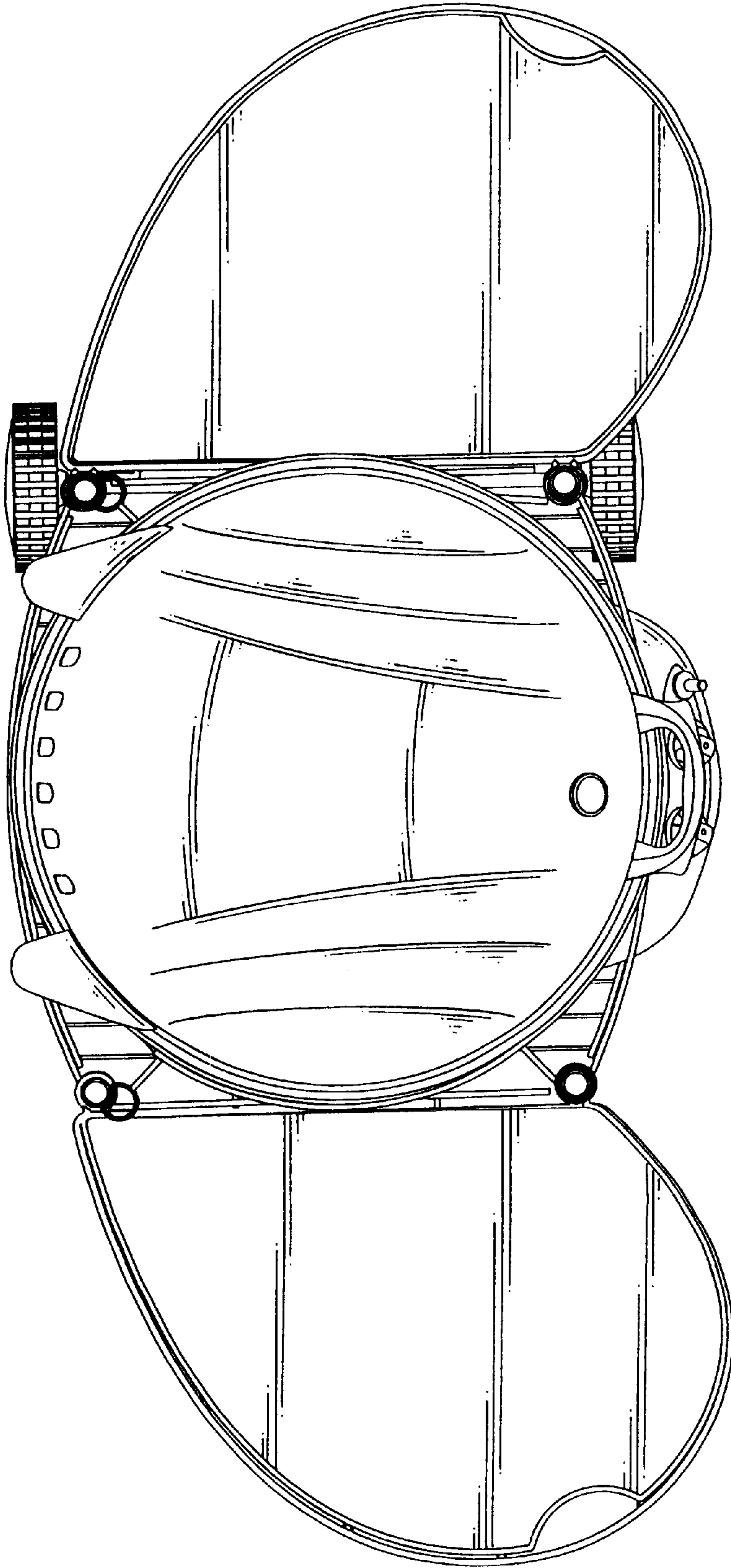


FIG. 6

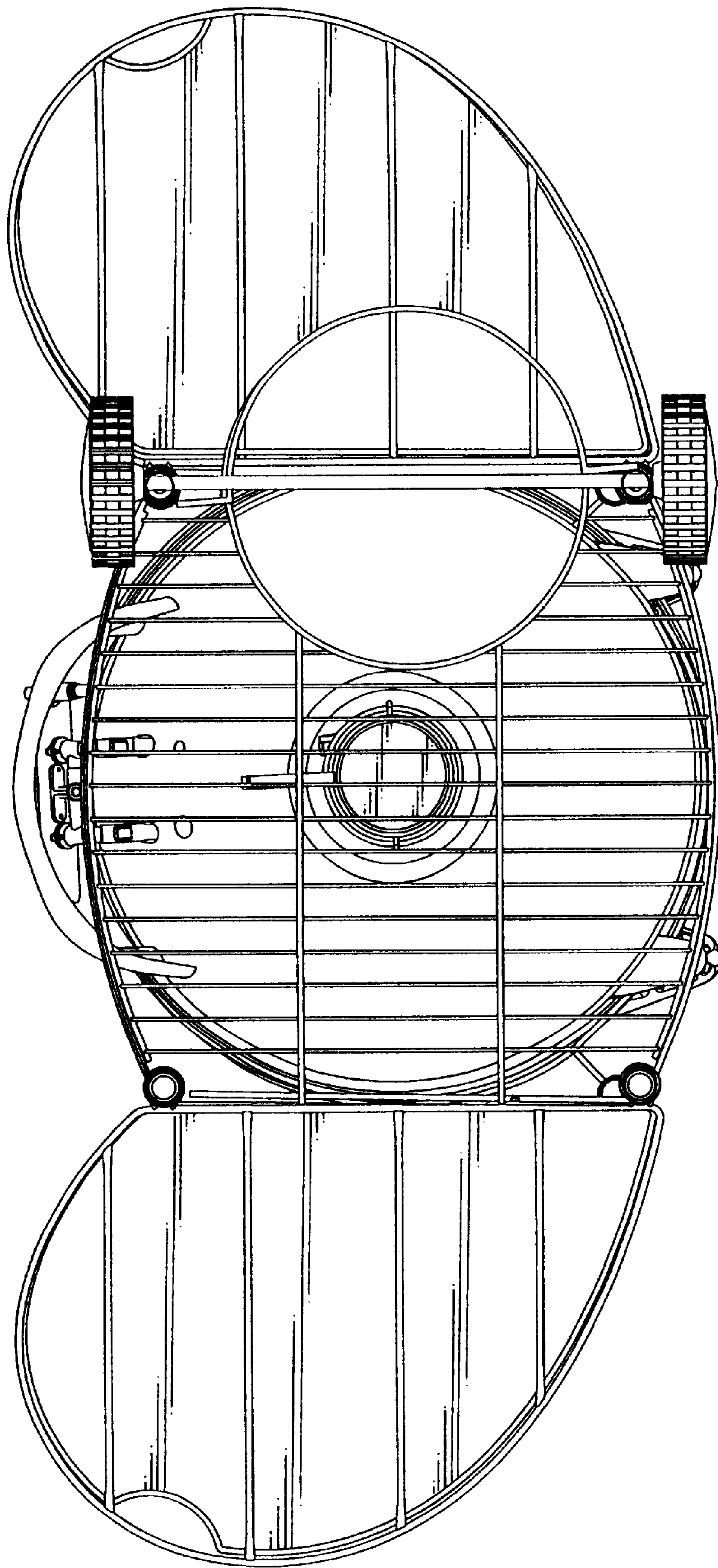


FIG. 7