



US00D459937S

(12) **United States Design Patent**  
**Thurlow et al.**

(10) **Patent No.:** **US D459,937 S**  
(45) **Date of Patent:** **\*\* Jul. 9, 2002**

(54) **KETTLE**

(75) Inventors: **Heida L. Thurlow**, Houston, TX (US);  
**Aaron Szymanski**, Bristol, CT (US)

(73) Assignee: **Lentrade, Inc.**, Houston, TX (US)

(\*\*) Term: **14 Years**

(21) Appl. No.: **29/155,547**

(22) Filed: **Feb. 12, 2002**

(51) **LOC (7) Cl.** ..... **07-01**

(52) **U.S. Cl.** ..... **D7/322; D7/321**

(58) **Field of Search** ..... **D7/322, 321, 312,**  
**D7/300, 318; 222/472; 141/79; 219/437**

(56) **References Cited**

**U.S. PATENT DOCUMENTS**

D148,348 S	*	1/1948	Brannon	.....	D7/322
D282,436 S		2/1986	Thurlow		
D282,810 S	*	3/1986	Urich	.....	D7/322
D308,313 S	*	6/1990	Ancona et al.	.....	D7/322
D336,006 S	*	6/1993	Lebowitz	.....	D7/322
5,339,978 A	*	8/1994	Coppier	.....	220/318
D352,419 S	*	11/1994	Lin	.....	D7/322
5,490,616 A	*	2/1996	Stowell et al.	.....	222/472
D396,988 S	*	8/1998	Lien	.....	D7/322
D442,015 S	*	5/2001	Doret, Jr.	.....	D7/322
D445,294 S	*	7/2001	Ryan et al.	.....	D7/322

**OTHER PUBLICATIONS**

Oxo International [Catalog]—Oxo Good Grips Uplift Tea Kettle—Internet Order Form (2 sheets) published before Oct. 2000, Oxo International, 75 Ninth Avenue, 5th Floor, New York, NY 10011.

Hoffritz Box Cover—2.8 Quart Whistling Tea Kettle, published before Oct. 2000, New York, NY.

\* cited by examiner

*Primary Examiner*—M. N. Pandozzi

(74) *Attorney, Agent, or Firm*—Browning Bushman P.C.

(57) **CLAIM**

The ornamental design for a kettle, as shown and described.

**DESCRIPTION**

FIG. 1 is a top, front, and right side perspective view of a kettle showing our new design;

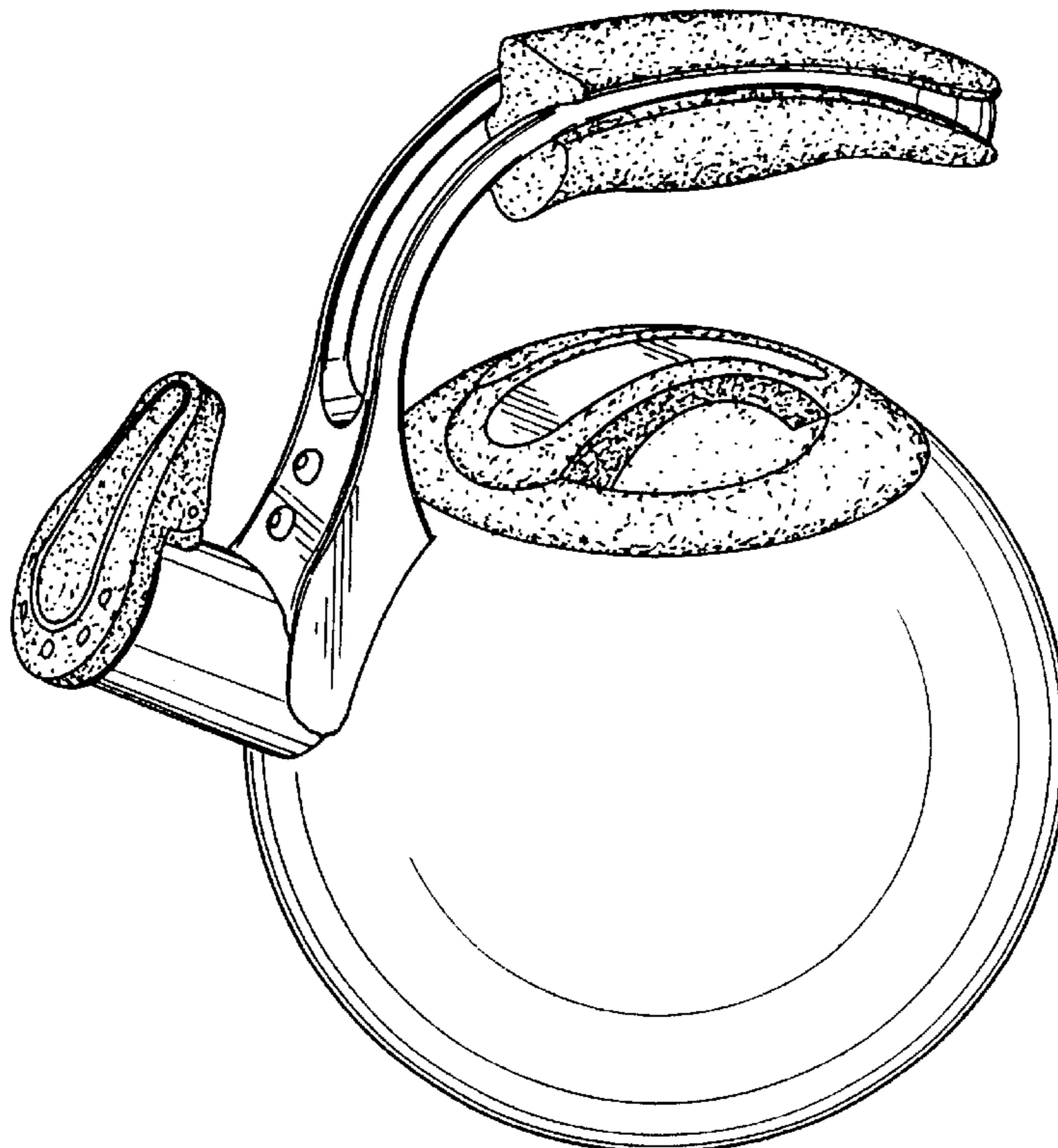
FIG. 2 is a bottom plan view of the kettle as shown in FIG. 1;

FIG. 3 is a top plan view of the kettle as shown in FIG. 1; FIG. 4 is a right side elevational view of the kettle shown in FIG. 1;

FIG. 5 is a front elevational view of the kettle shown in FIG. 1; and,

FIG. 6 is a rear elevational view of the kettle shown in FIG. 1.

**1 Claim, 3 Drawing Sheets**



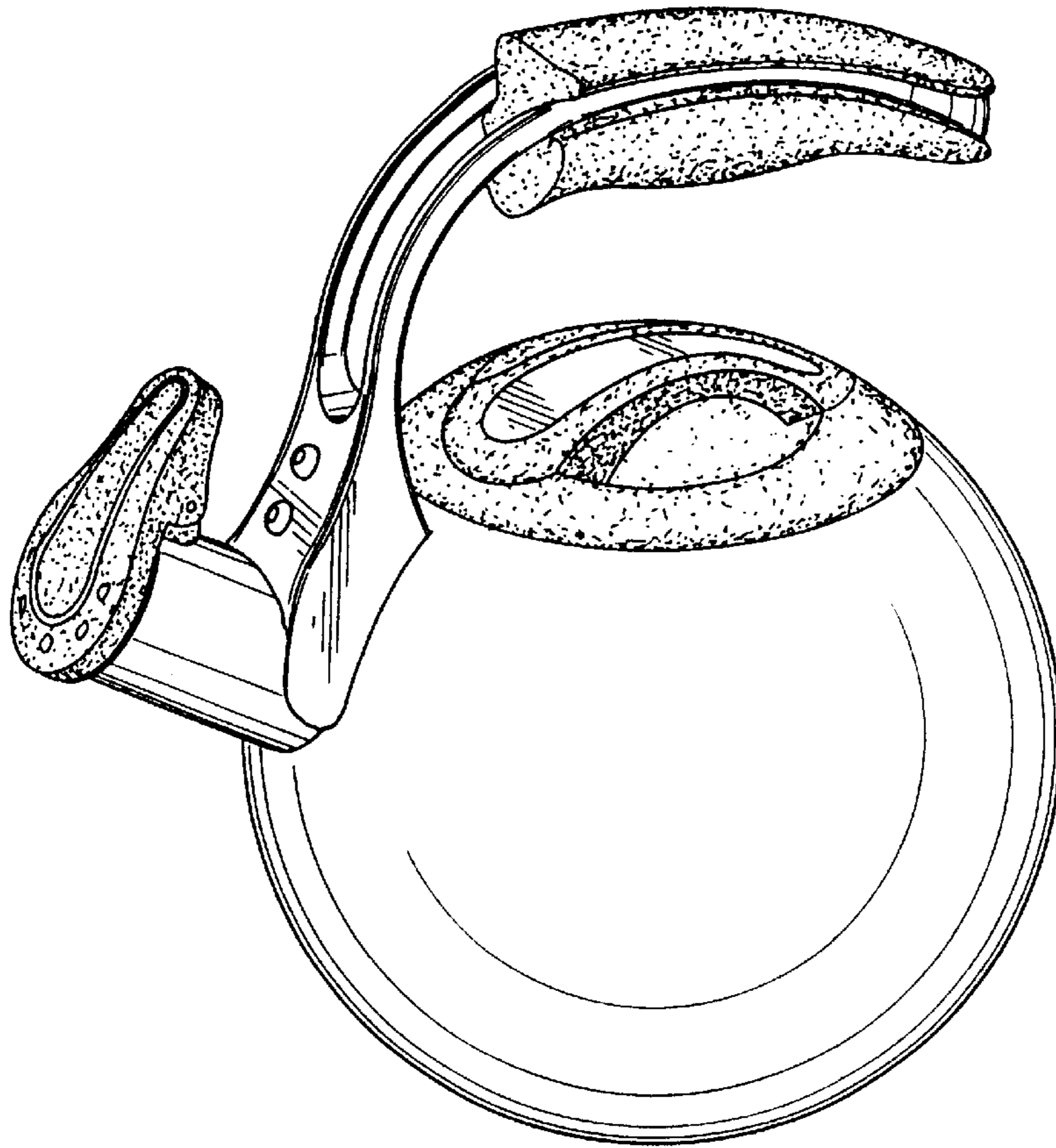


FIG. 1

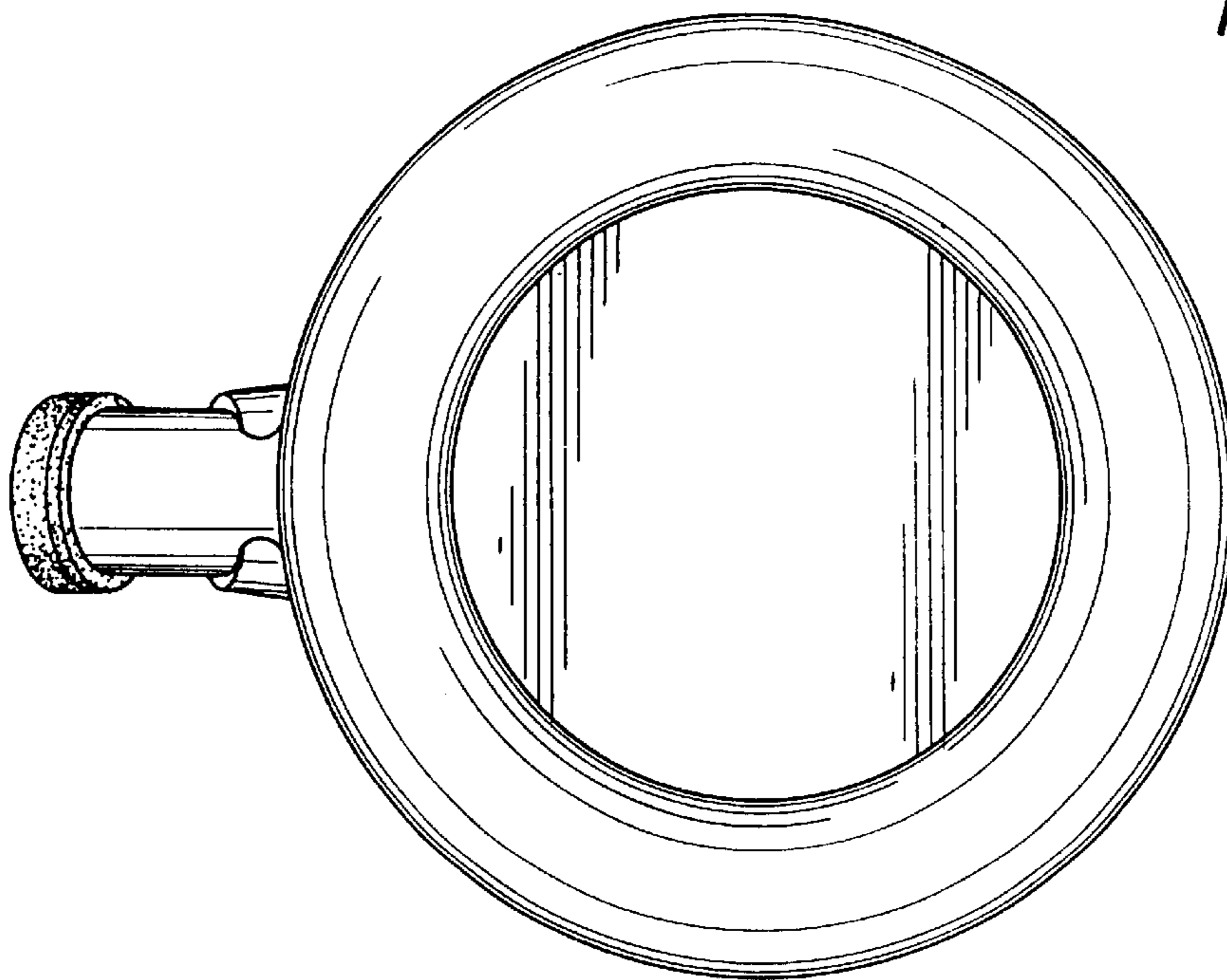


FIG. 2

FIG. 3

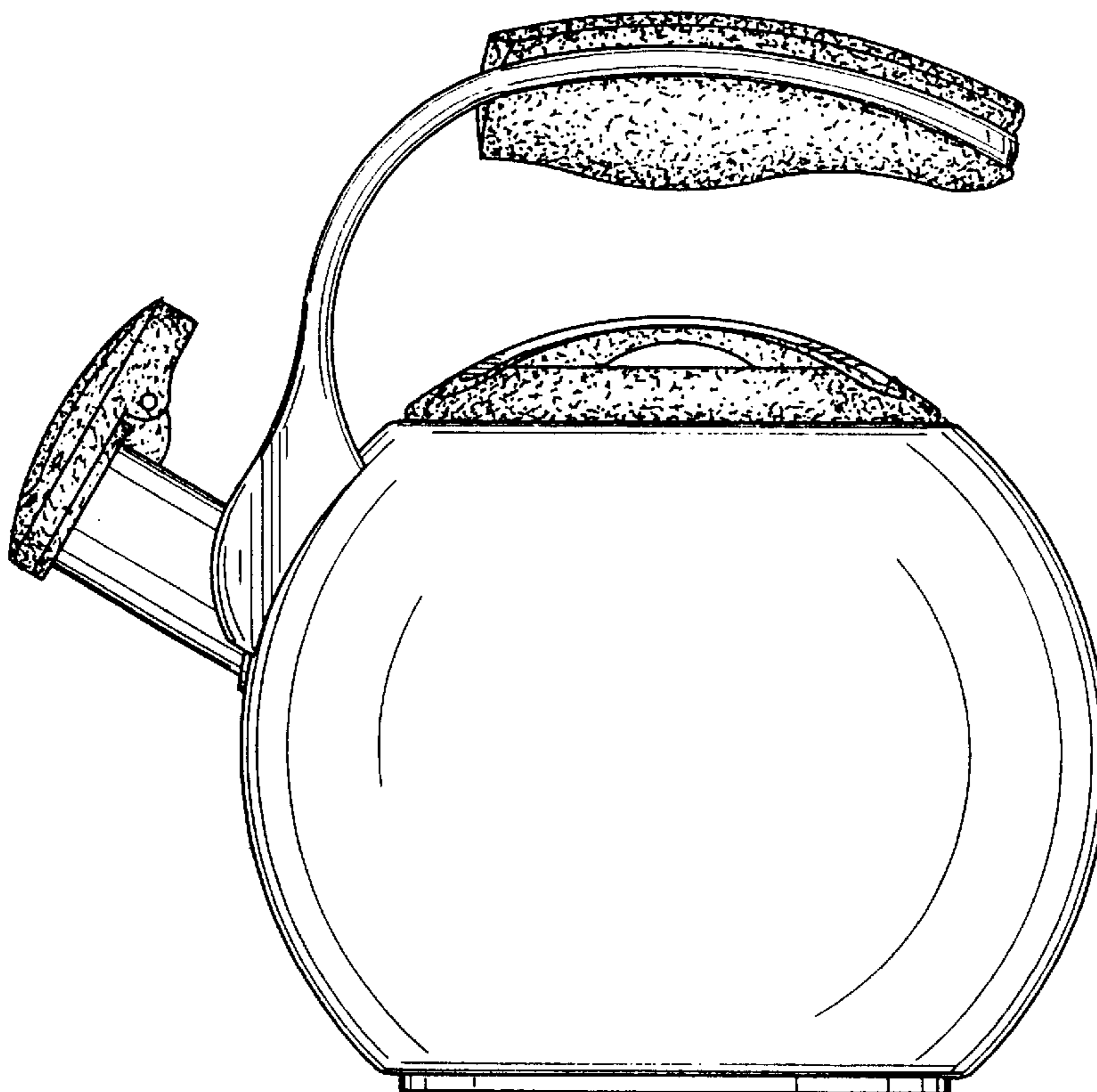
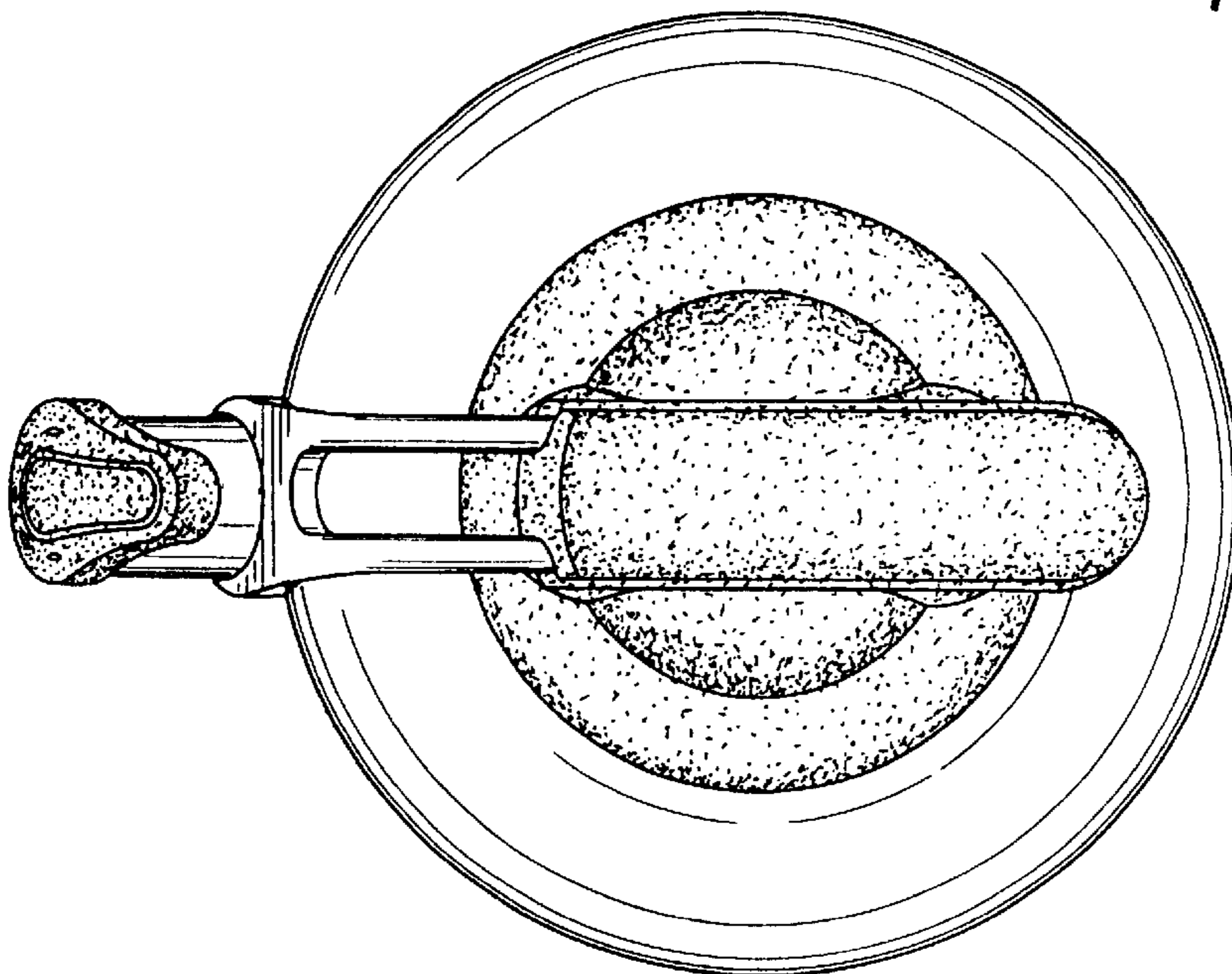


FIG. 4



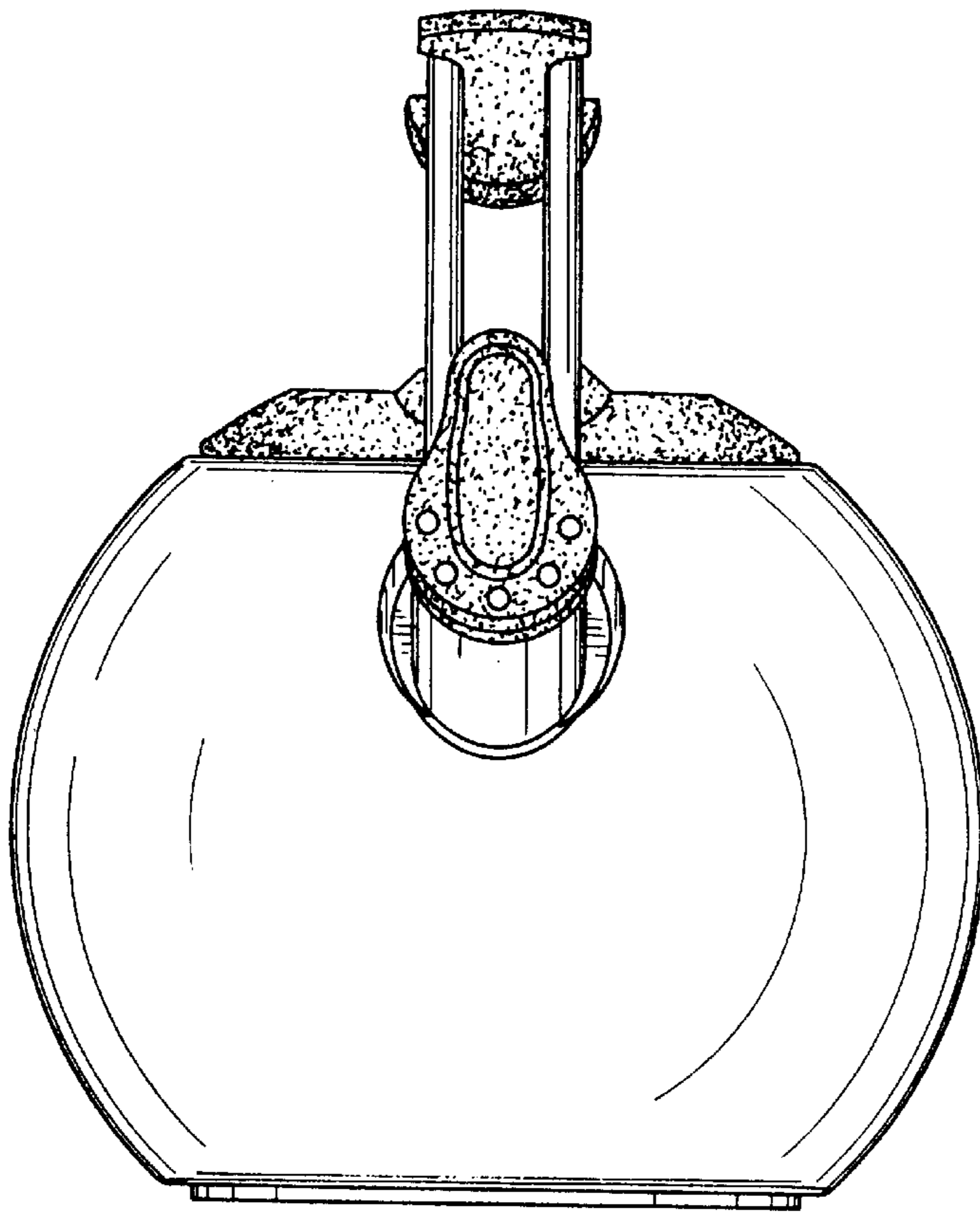


FIG. 5

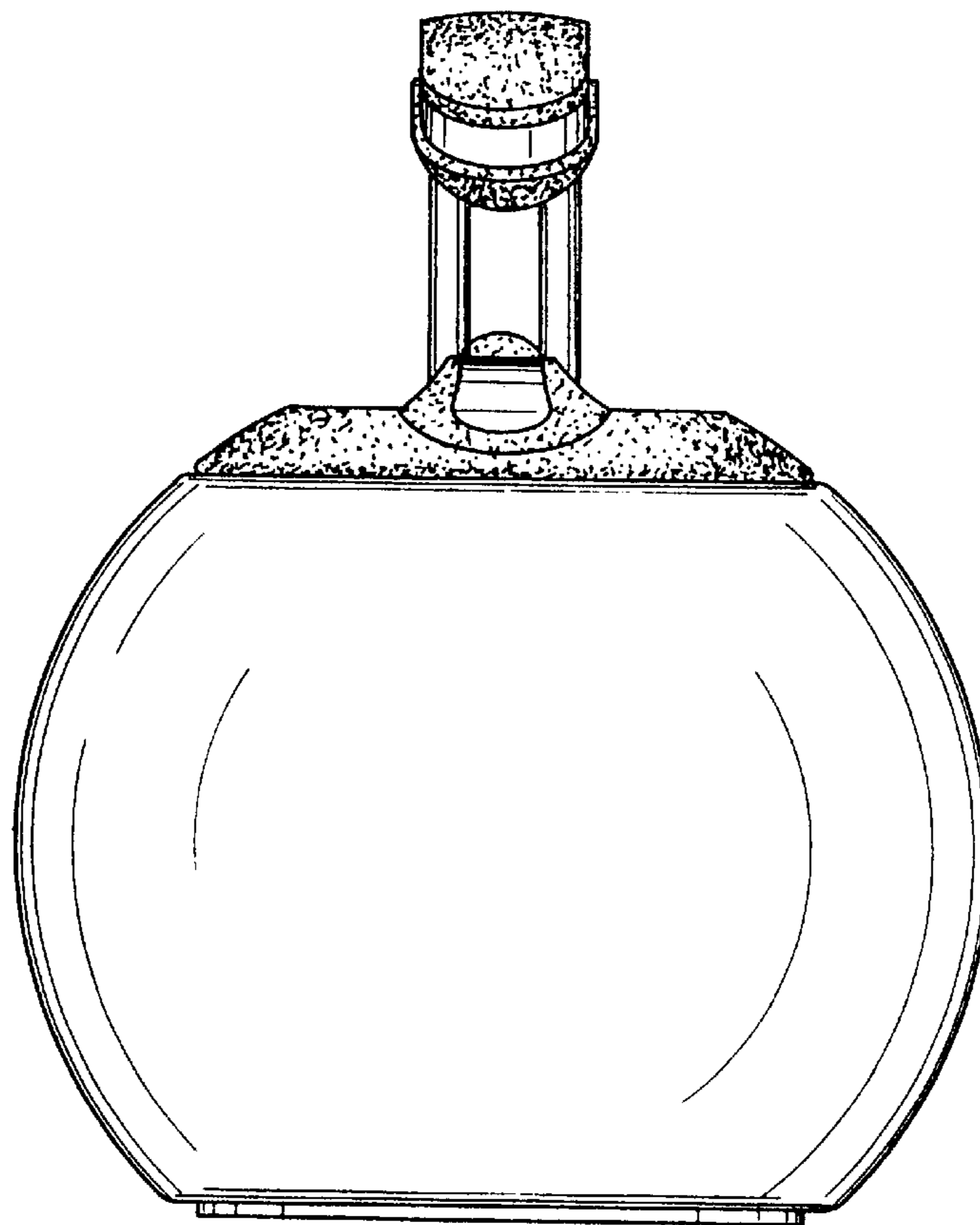


FIG. 6