



US00D459935S

(12) **United States Design Patent** (10) **Patent No.:** **US D459,935 S**  
**Takahashi et al.** (45) **Date of Patent:** **\*\* Jul. 9, 2002**

(54) **CASE FOR DVD DISK**

(75) Inventors: **Hitoshi Takahashi; Shigeru Okai; Akira Kato**, all of Mito (JP)

(73) Assignee: **Victor Company of Japan, Ltd.**, Kanagawa-ken (JP)

(\*\*) Term: **14 Years**

(21) Appl. No.: **29/133,214**

(22) Filed: **Nov. 27, 2000**

(30) **Foreign Application Priority Data**

May 31, 2000 (JP) ..... 2000-014482  
 May 31, 2000 (JP) ..... 2000-014483

(51) **LOC (7) Cl.** ..... **06-04**

(52) **U.S. Cl.** ..... **D6/634; D6/407; D6/632**

(58) **Field of Search** ..... D3/201, 218; D6/407, D6/626-635; D19/26, 27, 32; 206/307.1, 308.1, 308.2, 308.3, 309, 311, 312, 387.11, 387.13, 387.15; 369/37, 75.2, 291; 379/355

(56) **References Cited**

**U.S. PATENT DOCUMENTS**

5,402,882 A \* 4/1995 Bandy et al. .... 206/310  
 D367,579 S \* 3/1996 Nilson ..... D6/632  
 5,526,926 A \* 6/1996 Deja ..... 206/308.1  
 D386,013 S \* 11/1997 Tell ..... D6/407  
 5,685,427 A \* 11/1997 Kuitems et al. .... 206/310  
 5,746,314 A \* 5/1998 Knutsen et al. .... 206/308.1  
 5,788,068 A \* 8/1998 Fraser et al. .... 206/310  
 5,896,986 A \* 4/1999 Bologna et al. .... 206/310

D411,071 S \* 6/1999 Cerda-Vicedo ..... D6/632  
 5,944,181 A \* 8/1999 Lau ..... 206/308.1  
 5,988,375 A \* 11/1999 Chang ..... 206/308.1  
 5,996,788 A \* 12/1999 Belden, Jr. et al. .... 206/310  
 D420,240 S \* 2/2000 Sorenson et al. .... D6/632  
 D422,428 S \* 4/2000 Pijanowski et al. .... D6/407  
 6,092,650 A \* 7/2000 Budnik ..... 206/232  
 6,123,192 A \* 9/2000 Rufo, Jr. .... 206/310  
 D437,520 S \* 2/2001 Choi ..... D6/632  
 D441,212 S \* 5/2001 Pijanowski et al. .... D6/407  
 6,227,362 B1 \* 5/2001 Cheung ..... 206/308.1  
 6,250,461 B1 \* 6/2001 Hu ..... 206/310

\* cited by examiner

*Primary Examiner*—Celia Murphy

(74) *Attorney, Agent, or Firm*—Connolly Bove Lodge & Hutz LLP

(57) **CLAIM**

The ornamental design for a case for DVD disk, as shown and described.

**DESCRIPTION**

FIG. 1 is a top, front and left side perspective view of a case for DVD disk showing our new design,  
 FIG. 2 is a top plan view thereof,  
 FIG. 3 is a bottom plan view thereof,  
 FIG. 4 is a front elevational view thereof,  
 FIG. 5 is a right side elevational view thereof,  
 FIG. 6 is a left side elevational view thereof,  
 FIG. 7 is a rear elevational view thereof; and,  
 FIG. 8 is a top, front and right side perspective view thereof, in closed position.

**1 Claim, 4 Drawing Sheets**

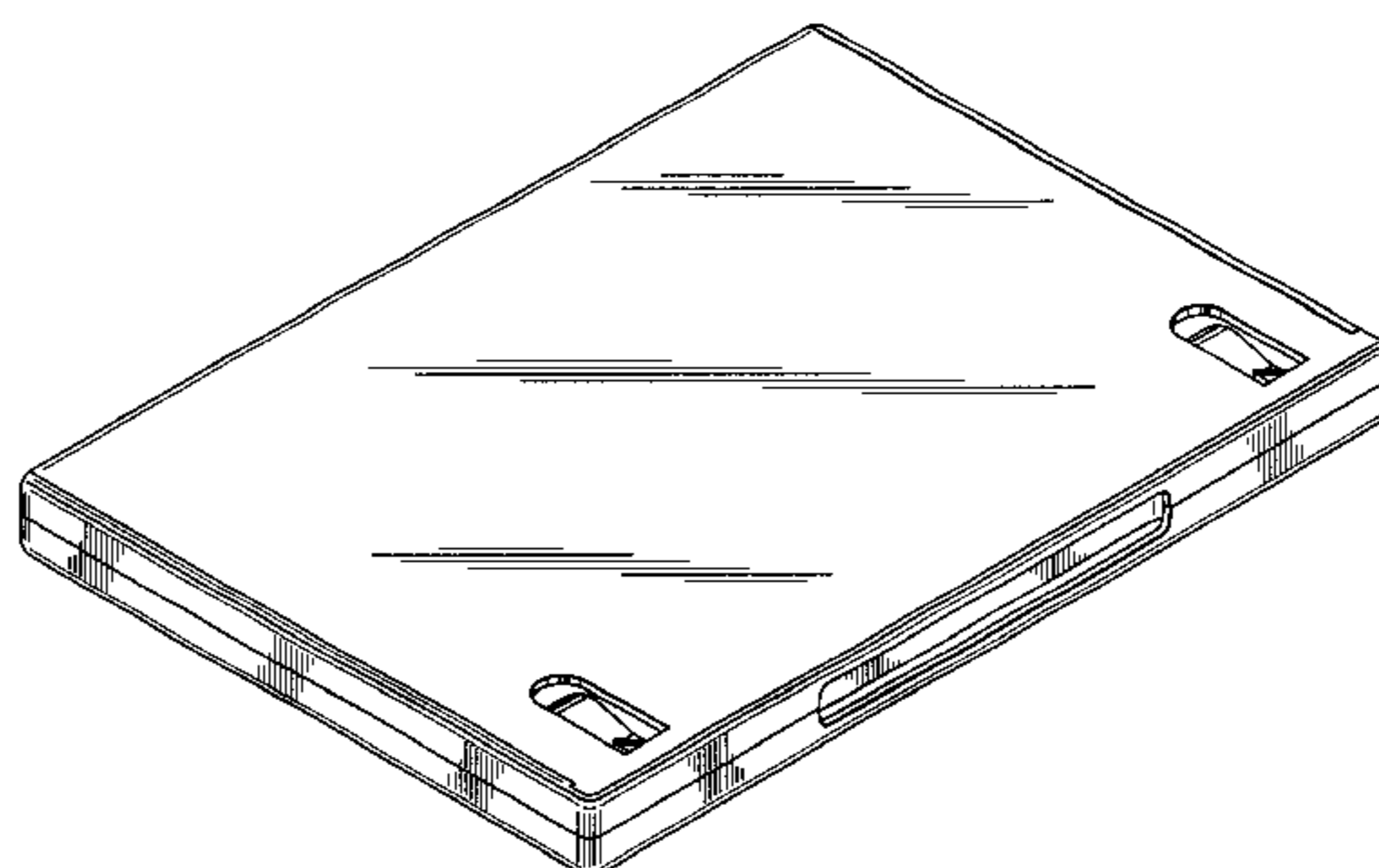
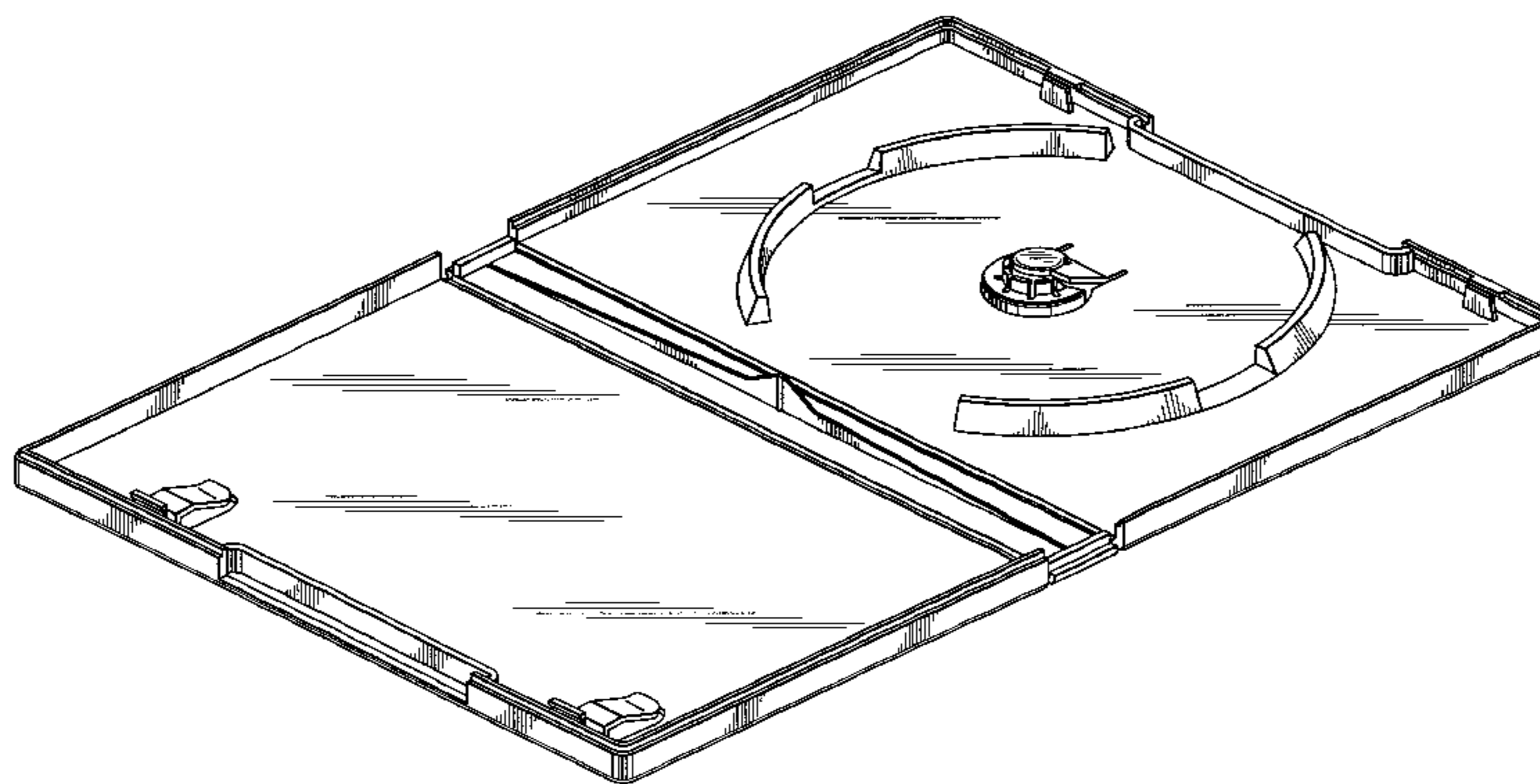


FIG. 1

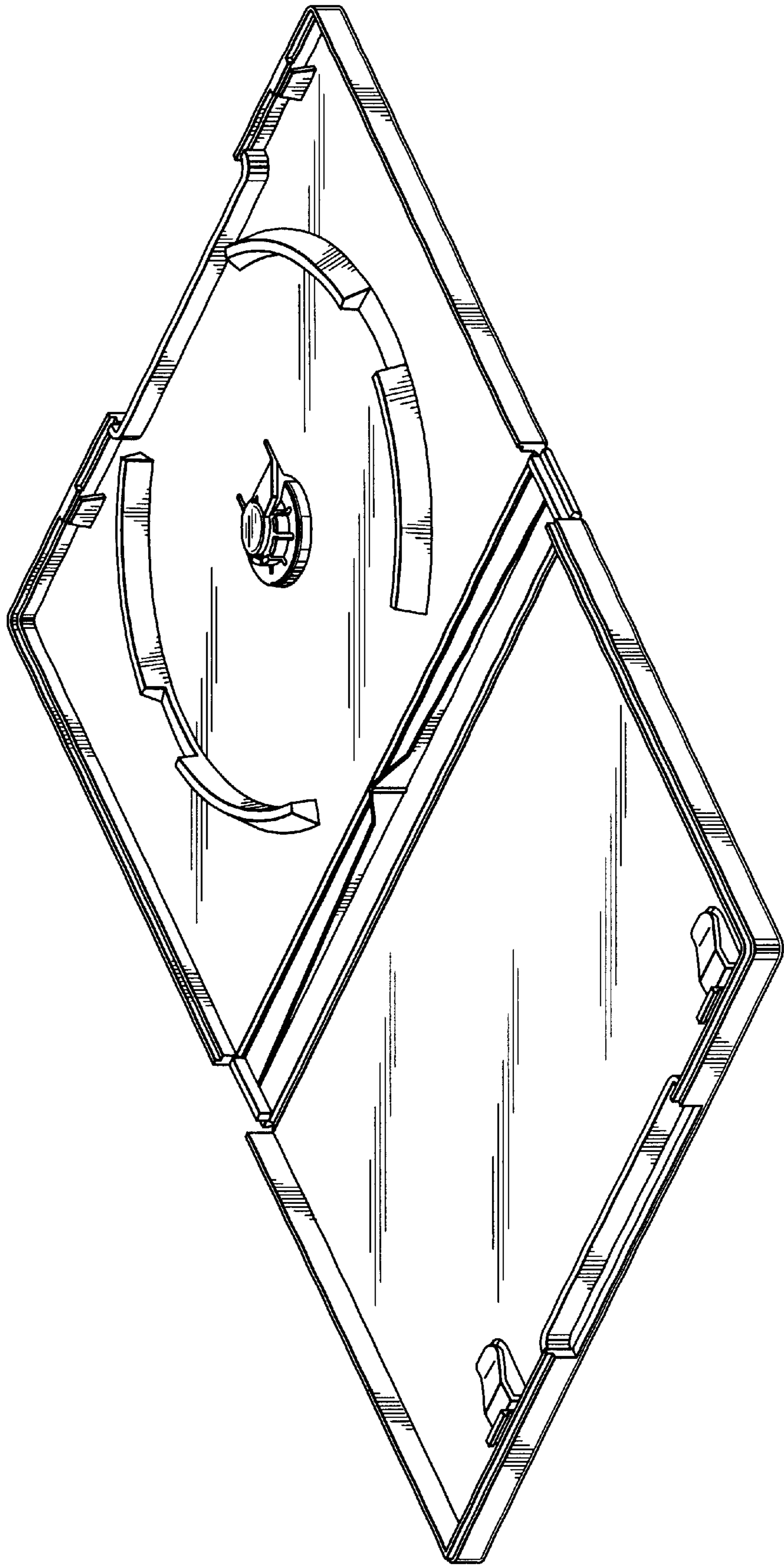


FIG. 2

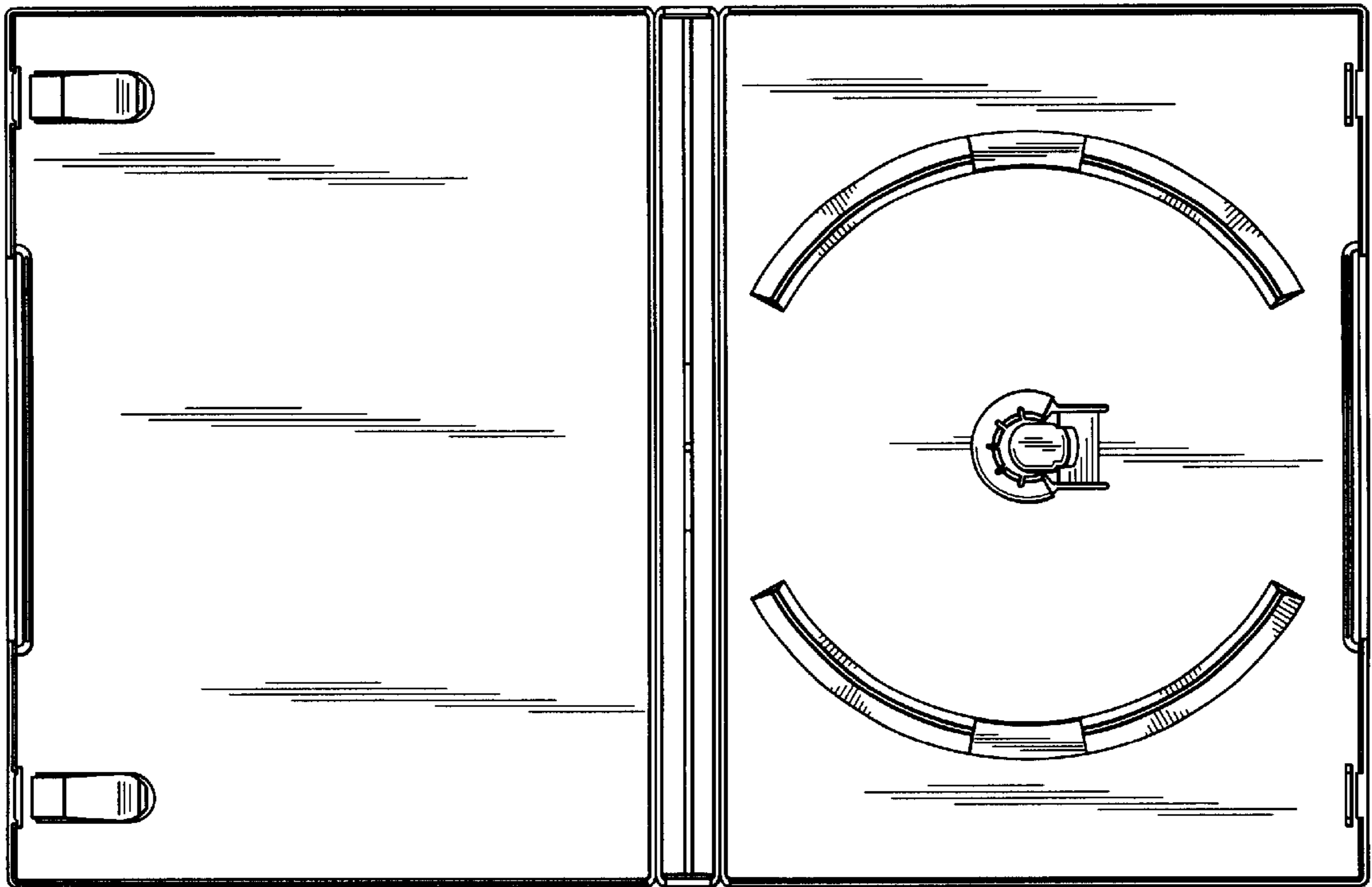


FIG. 3

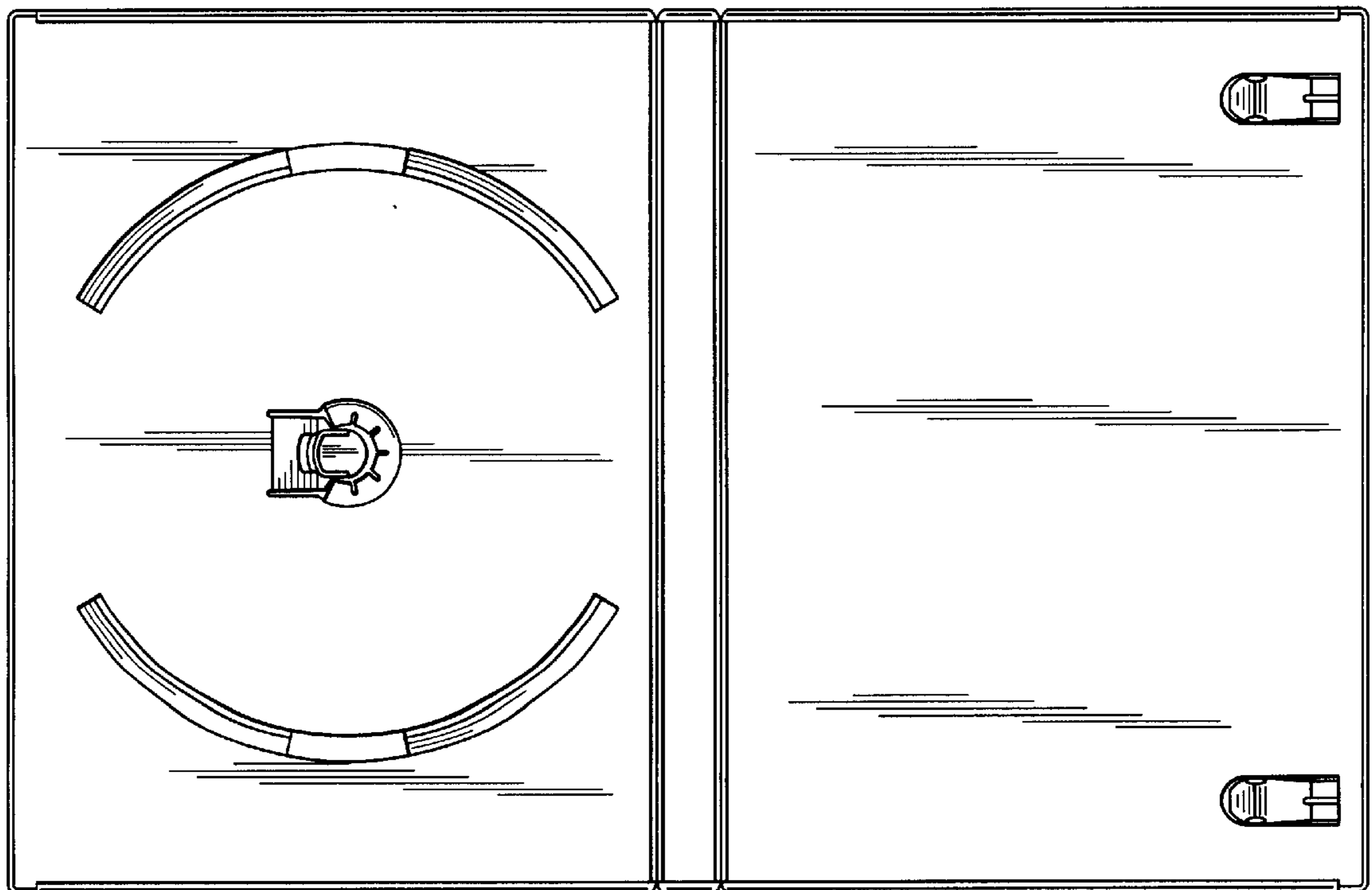


FIG. 4



FIG. 5



FIG. 6



FIG. 7



FIG. 8

