



US00D459934S

(12) **United States Design Patent**
Le Gette et al.

(10) **Patent No.:** **US D459,934 S**
(45) **Date of Patent:** **** Jul. 9, 2002**

(54) **MAT WITH PILLOW AND BODY PORTION**

(75) Inventors: **Brian E. Le Gette**, Severna Park, MD (US); **Tai Hoon Kim Matlin**, Skokie; **James Ashley Waring**, Vernon Hill, both of IL (US); **Ronald L. Wilson, II**, Vienna, WV (US)

(73) Assignee: **Gray Matter Holdings, LLC**, Baltimore, MD (US)

(**) Term: **14 Years**

(21) Appl. No.: **29/143,346**

(22) Filed: **Jun. 13, 2001**

Related U.S. Application Data

(60) Division of application No. 09/533,963, filed on Aug. 15, 2000, which is a continuation of application No. 09/229,968, filed on Jan. 14, 1999, now abandoned, and a continuation of application No. 29/136,638, filed on Feb. 6, 2001, now abandoned.

(51) **LOC (7) Cl.** **06-09**

(52) **U.S. Cl.** **D6/608**

(58) **Field of Search** D6/596, 608, 595, D6/601-603; 5/417-420, 630, 636, 644, 652-656, 655.3; 15/208, 209.1

(56) **References Cited**

U.S. PATENT DOCUMENTS

- 722,801 A 3/1903 Bourne, Jr.
- 1,479,903 A 1/1924 Erland
- 2,119,023 A 5/1938 Pickard
- 2,190,566 A 2/1940 Julian
- 2,344,010 A 3/1944 Walsh
- 2,357,789 A 9/1944 Levy
- 2,420,344 A 5/1947 Alexander
- 2,442,105 A 5/1948 Vacheron
- 2,637,861 A 5/1953 Kethledge
- 2,731,997 A 1/1956 Muth et al.
- 2,803,291 A 8/1957 Meyer
- 2,870,464 A 1/1959 Lalick
- 3,052,895 A 9/1962 Lo Vico

- 3,336,610 A 8/1967 Geddings
- 3,862,876 A 1/1975 Graves
- 3,960,161 A 6/1976 Norman
- 3,990,463 A 11/1976 Norman
- D246,812 S 1/1978 Canter et al.
- 4,097,944 A 7/1978 Yulish
- 4,200,942 A 5/1980 Case
- 4,231,125 A 11/1980 Tittl
- D261,464 S 10/1981 Smith
- 4,296,788 A 10/1981 Slater
- 4,512,049 A 4/1985 Henry
- 4,561,480 A 12/1985 Underwood et al.
- 4,634,618 A * 1/1987 Greer et al. 428/81
- 4,709,430 A * 12/1987 Nicoll 5/417
- 4,815,784 A 3/1989 Zheng
- 4,825,892 A 5/1989 Norman
- 4,858,634 A 8/1989 McLeese
- 4,951,333 A 8/1990 Kaiser et al.
- 5,024,262 A 6/1991 Huang
- 5,038,812 A 8/1991 Norman
- 5,056,172 A 10/1991 Kaiser et al.
- 5,059,463 A 10/1991 Peters

(List continued on next page.)

FOREIGN PATENT DOCUMENTS

EP 0 974 293 A2 1/2000

Primary Examiner—Mitchell Siegel

(74) *Attorney, Agent, or Firm*—Cooley Godward LLP

(57) **CLAIM**

The ornamental design for a mat with pillow and body portion, as shown and described.

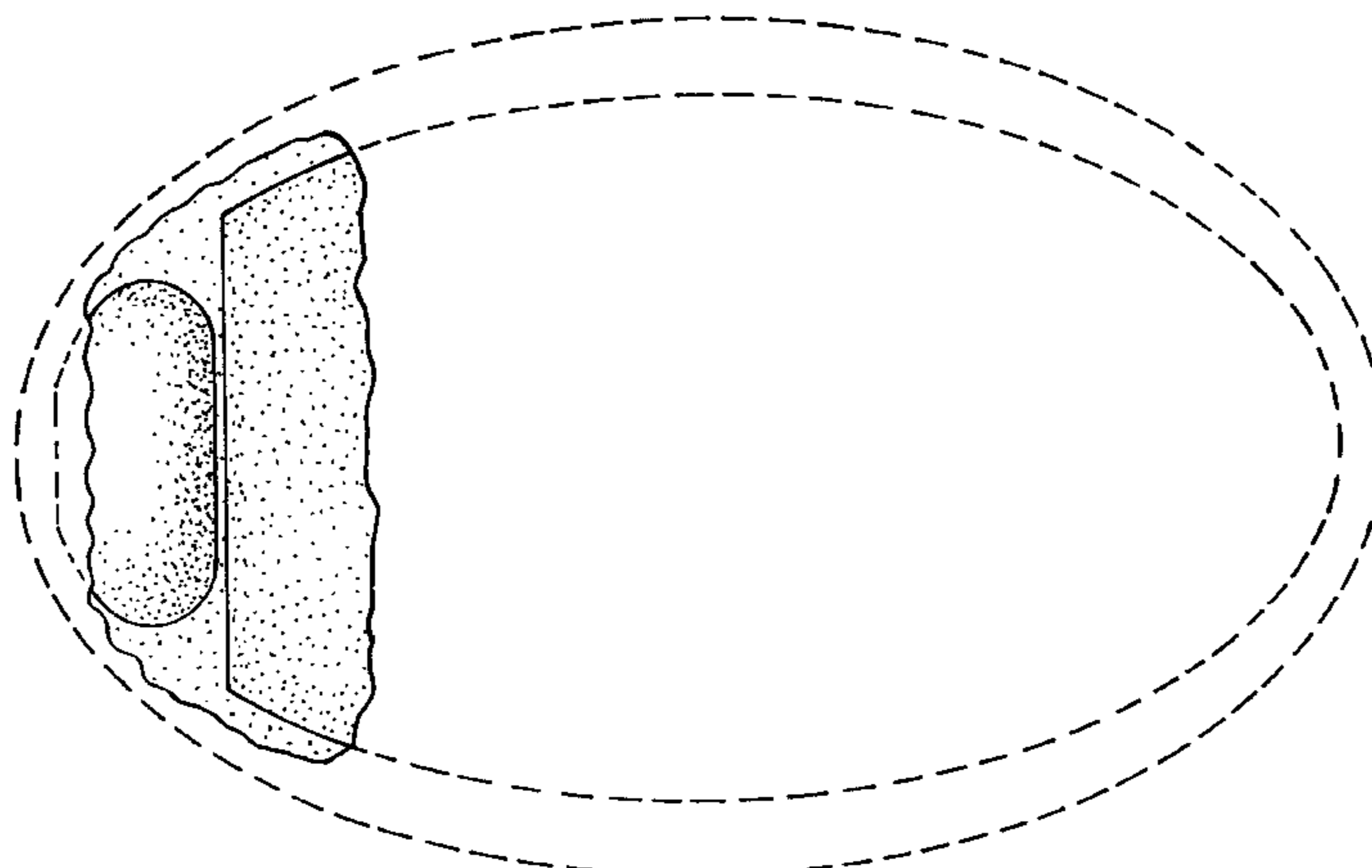
DESCRIPTION

FIG. 1 is a top plan view of a mat pillow and body portion; FIG. 2 is a left side view thereof and the right side being a mirror image thereof; and,

FIG. 3 is a front view thereof.

The portion of the article depicted in broken lines is for illustrative purposes only and forms no part of the claimed design.

1 Claim, 1 Drawing Sheet



US D459,934 S

Page 2

U.S. PATENT DOCUMENTS

D325,489 S	4/1992	Pratt	5,560,385 A	10/1996	Zheng
5,116,273 A	5/1992	Chan	5,579,799 A	12/1996	Zheng
5,163,192 A	11/1992	Watson	5,584,422 A	12/1996	Bond-Madsen
5,163,461 A	11/1992	Ivanovich et al.	5,592,961 A	1/1997	Chin
D331,521 S	12/1992	Kelldorf	5,618,110 A	4/1997	Sullivan
5,206,964 A	5/1993	Wilson, Sr.	5,618,246 A	4/1997	Zheng
5,213,147 A	5/1993	Zheng	5,629,071 A *	5/1997	Feldman 428/192
5,261,131 A *	11/1993	Kilby 5/419	RE35,571 E	7/1997	McLeese
5,299,331 A	4/1994	Badillo	5,644,807 A	7/1997	Battistella
D349,593 S	8/1994	Hensley	5,688,052 A	11/1997	Compton
5,345,627 A	9/1994	Cammarata	5,693,398 A	12/1997	Granger
5,396,917 A	3/1995	Hazinski et al.	D389,362 S	1/1998	Boulatian
D358,514 S	5/1995	Lovegrove	5,729,846 A *	3/1998	Sullivan 5/419
5,430,980 A	7/1995	Ferrier	5,730,529 A	3/1998	Fritz et al.
5,433,433 A	7/1995	Armell	D400,749 S	11/1998	Bechtold, Jr.
5,435,025 A	7/1995	Gerard et al.	5,976,023 A	11/1999	Cho
D360,786 S	8/1995	Zapf	D425,357 S	5/2000	Waring
5,454,643 A	10/1995	Sullivan	D426,415 S *	6/2000	Le Gette et al. D6/608
5,467,794 A	11/1995	Zheng	6,073,283 A *	6/2000	Zheng 5/417
D366,177 S	1/1996	Dean	6,170,100 B1 *	1/2001	Le Gette et al. 5/417
5,533,653 A	7/1996	Kaufman	6,192,635 B1	2/2001	Zheng

* cited by examiner

FIG. 1

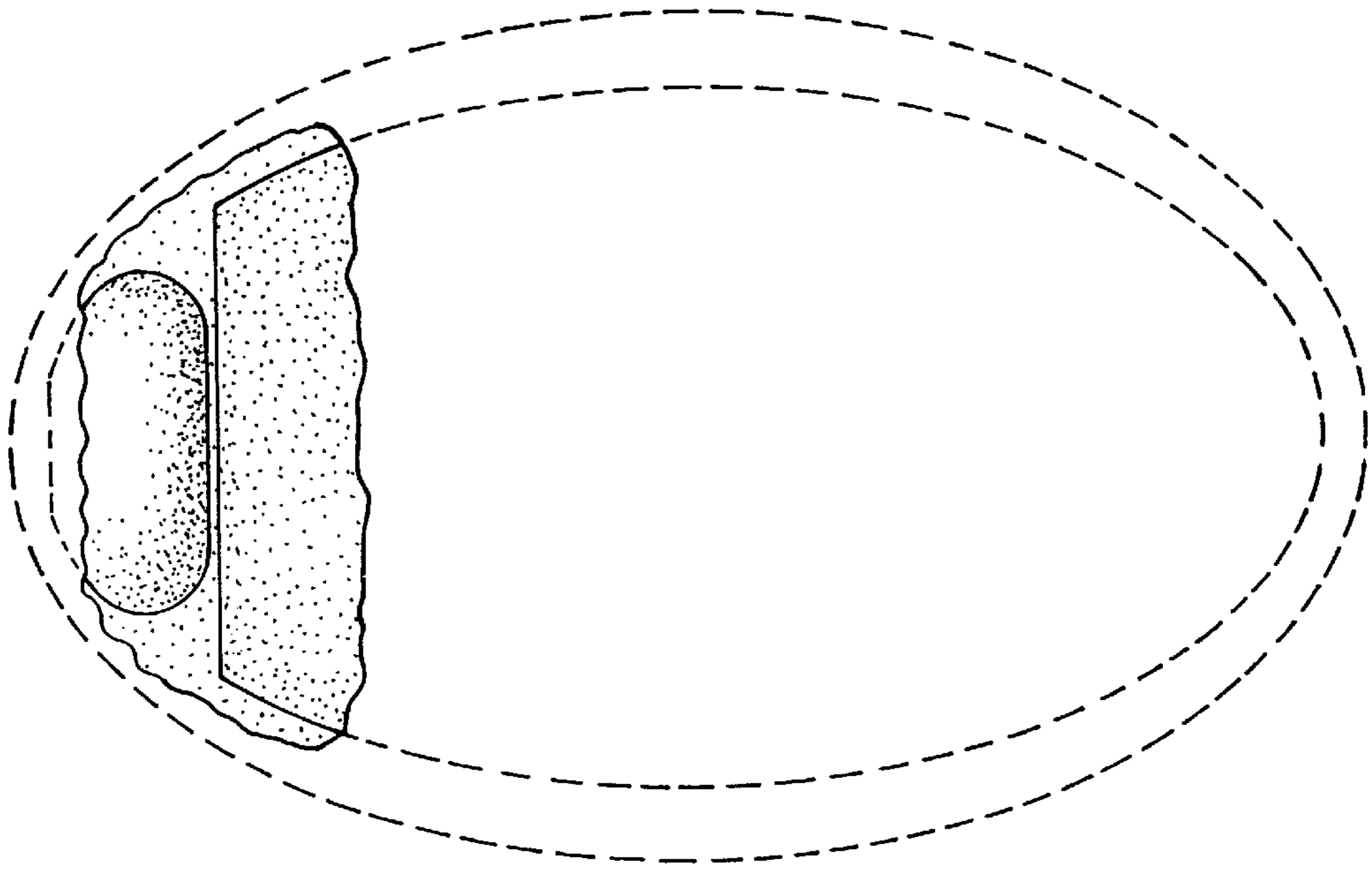


FIG. 2

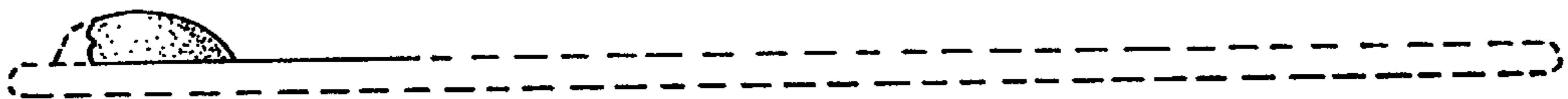


FIG. 3

