



US00D459933S

(12) **United States Design Patent**
Goodman

(10) **Patent No.:** **US D459,933 S**

(45) **Date of Patent:** **** Jul. 9, 2002**

(54) **CONTOURED RIGID VANE FOR ARCHITECTURAL COVERING**

D440,103 S * 4/2001 Throne D6/580
6,223,804 B1 * 5/2001 Toti 160/199

(76) **Inventor:** **Barry Goodman**, 5297 Princeton Way,
Boca Raton, FL (US) 33496

(**) **Term:** **14 Years**

FOREIGN PATENT DOCUMENTS

AU 9675406 2/1998
CA 601376 7/1960
GB 2303661 2/1997

(21) **Appl. No.:** **29/135,077**

(22) **Filed:** **Jan. 4, 2001**

(51) **LOC (7) Cl.** **06-10**

(52) **U.S. Cl.** **D6/580; D6/577**

(58) **Field of Search** D6/577, 580; D25/49,
D25/53, 119, 136, 138, 141, 164; 160/61,
107, 113-119, 130, 131, 166.1, 167 R,
167 V, 168.1 R, 168.1 P, 168.1 V, 169-171,
172 R, 172 V, 173 R, 173 V, 174 R, 174 V,
175, 176.1 R, 176.1 P, 176.1 V, 177 R,
177 V, 178.1 R, 178.1 V, 178.2, 178.3,
180-195, 196.1, 197-228, 229.1, 230, 231.1,
231.2, 232-236, 330, 900

* cited by examiner

Primary Examiner—Ted Shooman

Assistant Examiner—C. Tuttle

(74) *Attorney, Agent, or Firm*—Dorsey & Whitney LLP

(57) **CLAIM**

The ornamental design for a contoured rigid vane for architectural covering, as shown.

DESCRIPTION

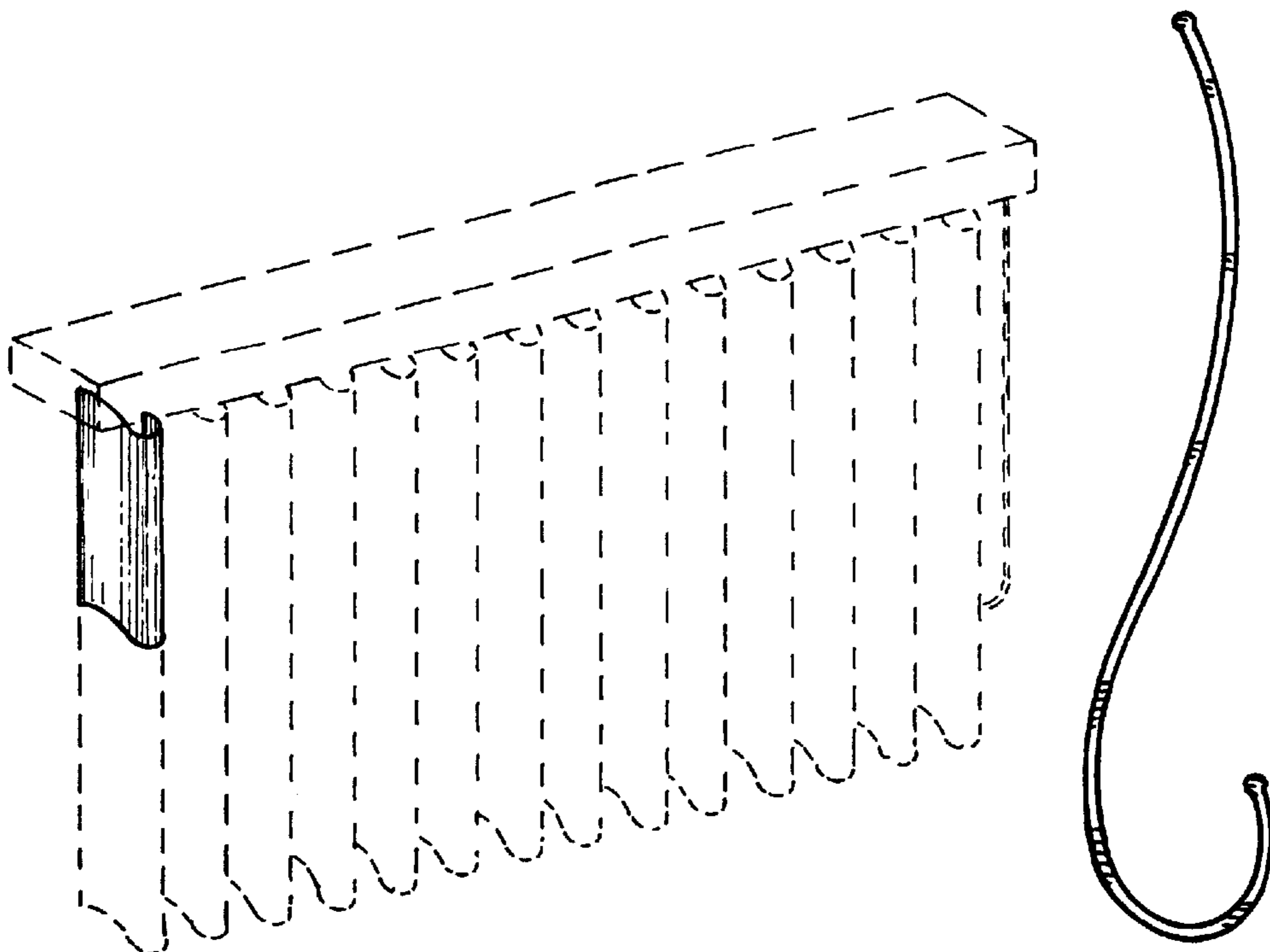
FIG. 1 is an isometric view of a covering for an architectural opening incorporating the vane of the present invention; FIG. 2 is an enlarged scale isometric view seen from the back of the vane in FIG. 1; FIG. 3 is a top plan view of the vane shown on a further enlarged scale; FIG. 4 is an elevational view from the left side of FIG. 2; and, FIG. 5 is an elevational view showing the front of FIG. 2; FIG. 6 is an elevational view of the right side of FIG. 2; and, FIG. 7 is an elevational view from the rear of FIG. 2. The broken line showing of the architectural covering in FIG. 1 is for illustrative purposes only and forms no part of the claimed design.

(56) **References Cited**

U.S. PATENT DOCUMENTS

345,689 A * 7/1886 Hayes 160/236 X
345,691 A * 7/1886 Hayes 160/236 X
1,112,071 A * 9/1914 Knopf 160/116
1,205,707 A * 11/1916 Cahill 160/199
2,273,485 A * 2/1942 George D25/119 X
3,216,102 A * 11/1965 Vecchiarelli 160/235
3,264,724 A * 8/1966 Griesser 160/236 X
3,719,221 A * 3/1973 Hanson 160/168.1
5,657,806 A * 8/1997 Hung 160/168.1

1 Claim, 3 Drawing Sheets



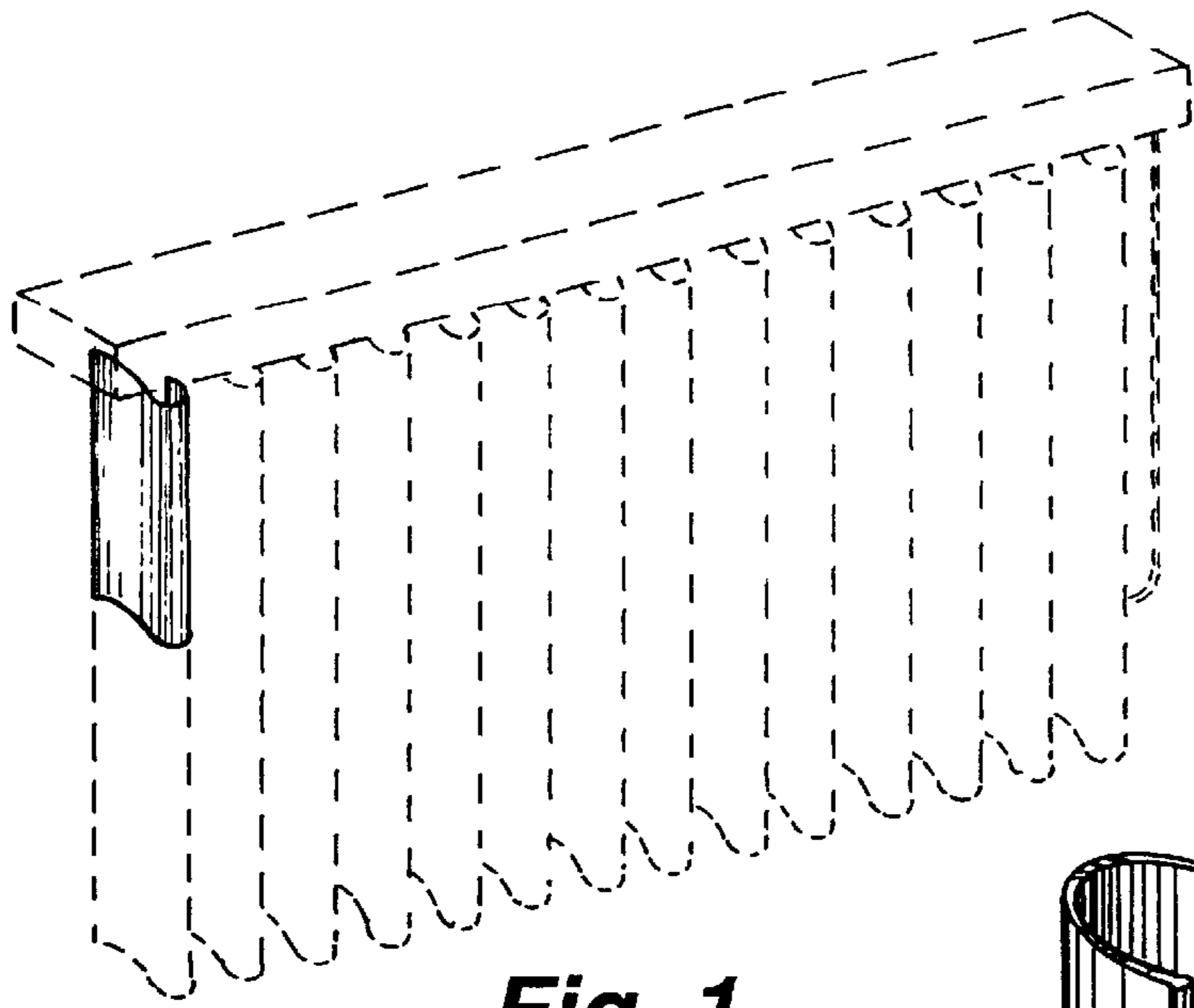


Fig. 1

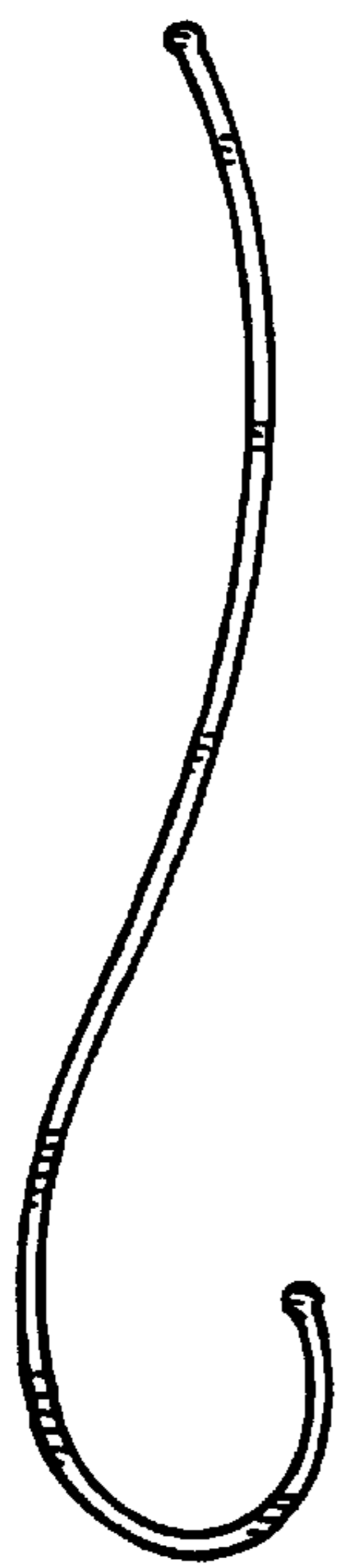


Fig. 3

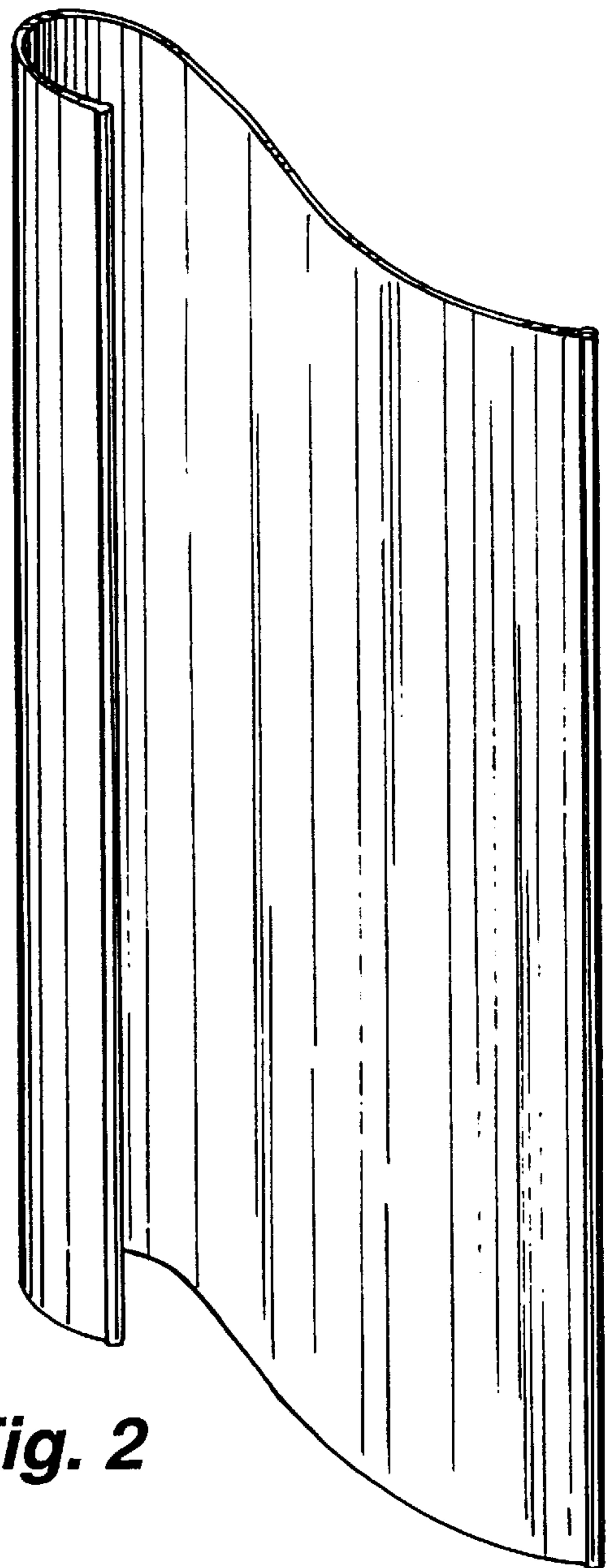


Fig. 2



Fig. 4

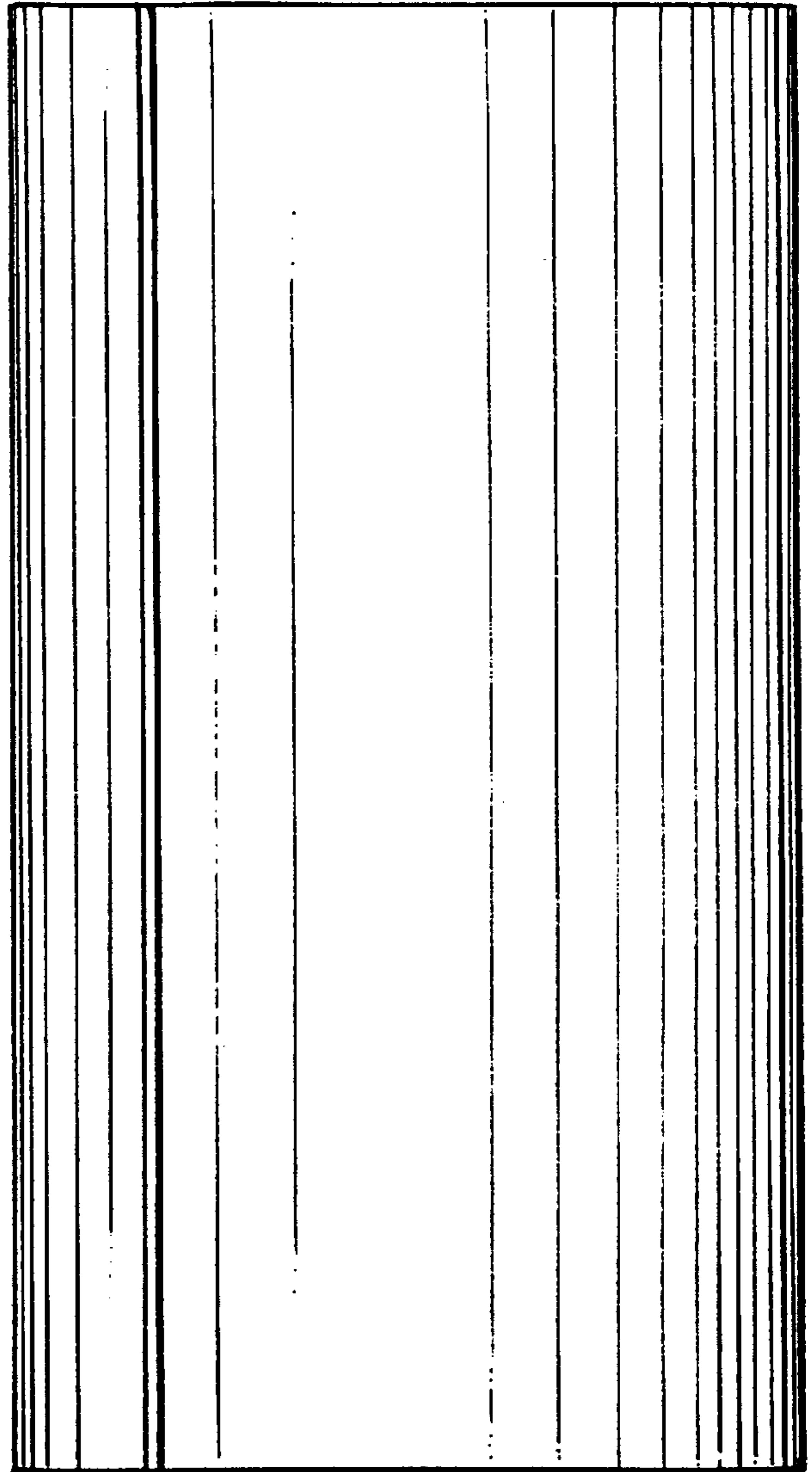


Fig. 5



Fig. 6

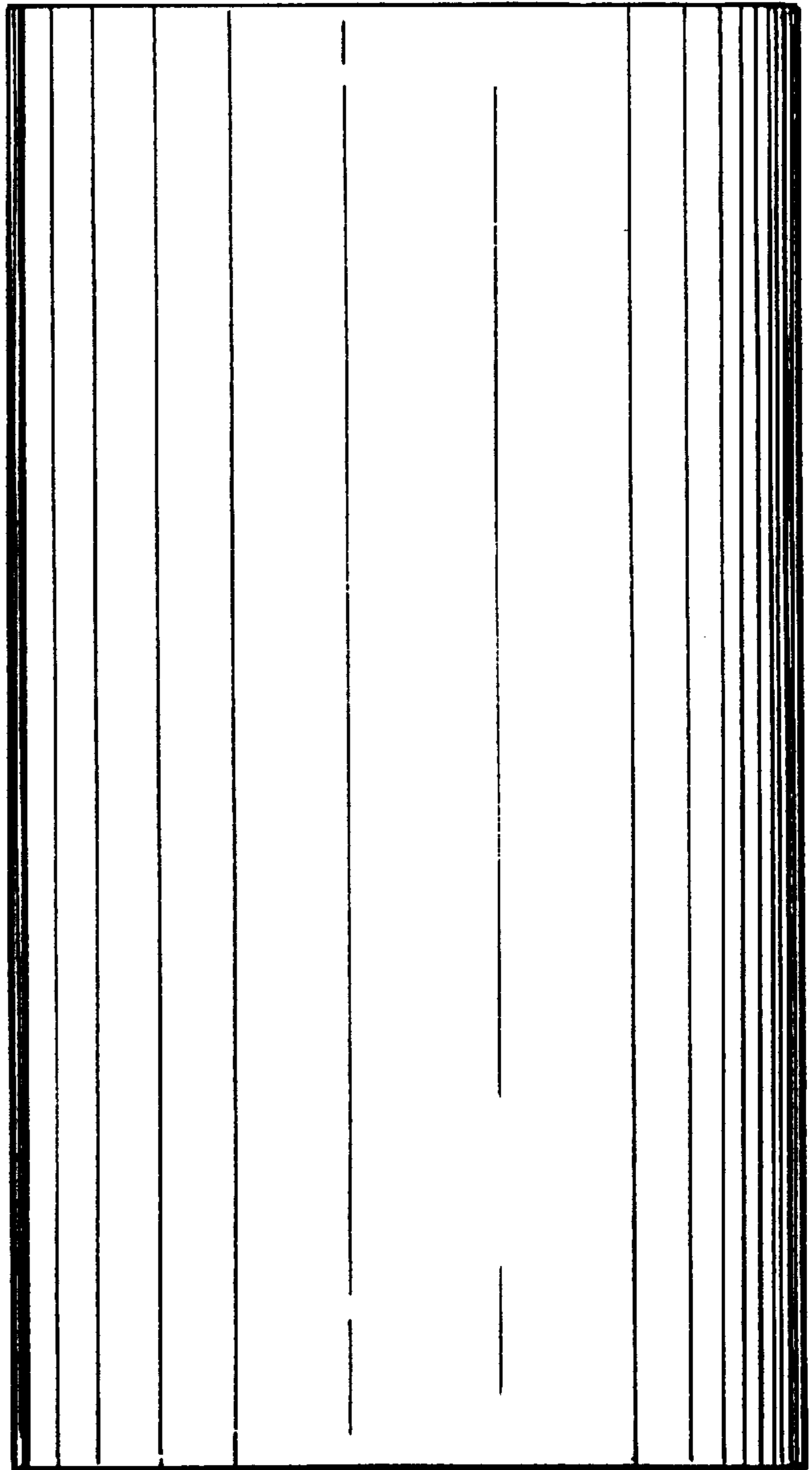


Fig. 7