



US00D459931S

(12) **United States Design Patent**  
**Mahoney**

(10) **Patent No.:** **US D459,931 S**

(45) **Date of Patent:** **\*\* Jul. 9, 2002**

(54) **ATHLETIC EQUIPMENT HANGER**

D378,167 S \* 2/1997 Jones, Jr. .... D6/552 X  
6,029,874 A 2/2000 Meggitt  
6,216,887 B1 \* 4/2001 Soo ..... 211/85.7

(76) Inventor: **Michael J. Mahoney**, 8905 Versailles  
Dr., Bakersfield, CA (US) 93311

(\*\*) Term: **14 Years**

\* cited by examiner

*Primary Examiner*—Brian N. Vinson  
(74) *Attorney, Agent, or Firm*—James M. Duncan

(21) Appl. No.: **29/152,178**

(22) Filed: **Dec. 12, 2001**

(57) **CLAIM**

(51) **LOC (7) Cl.** ..... **08-08**

The ornamental design for an athletic equipment hanger, as shown and described.

(52) **U.S. Cl.** ..... **D6/552**

(58) **Field of Search** ..... D6/552, 553, 513,  
D6/514; 211/13.1, 86.01, 113, 205, 206,  
182

**DESCRIPTION**

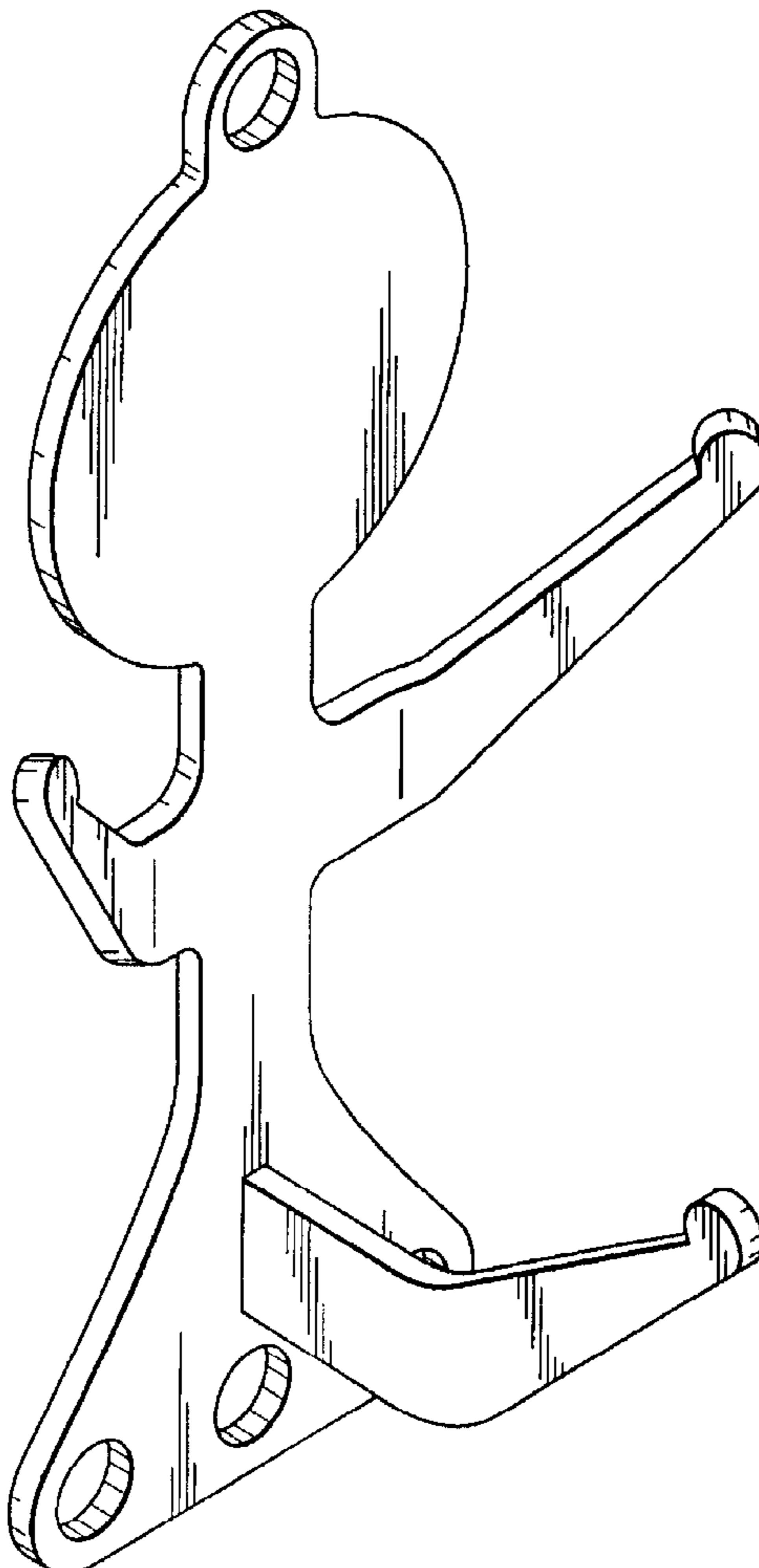
(56) **References Cited**

**U.S. PATENT DOCUMENTS**

- 4,193,495 A 3/1980 Keeley
- D272,494 S \* 2/1984 Mahowald ..... D6/513
- 4,629,065 A 12/1986 Braaten
- 4,957,259 A 9/1990 Wolf
- D363,613 S \* 10/1995 Ehrmann ..... D6/552 X

FIG. 1 is a front isometric view of an athletic equipment hanger showing my new design;  
FIG. 2 is a top view thereof;  
FIG. 3 is a front view thereof;  
FIG. 4 is a rear view thereof;  
FIG. 5 is a bottom view thereof; and,  
FIG. 6 is a side thereof, the other side being a mirror image thereof.

**1 Claim, 4 Drawing Sheets**



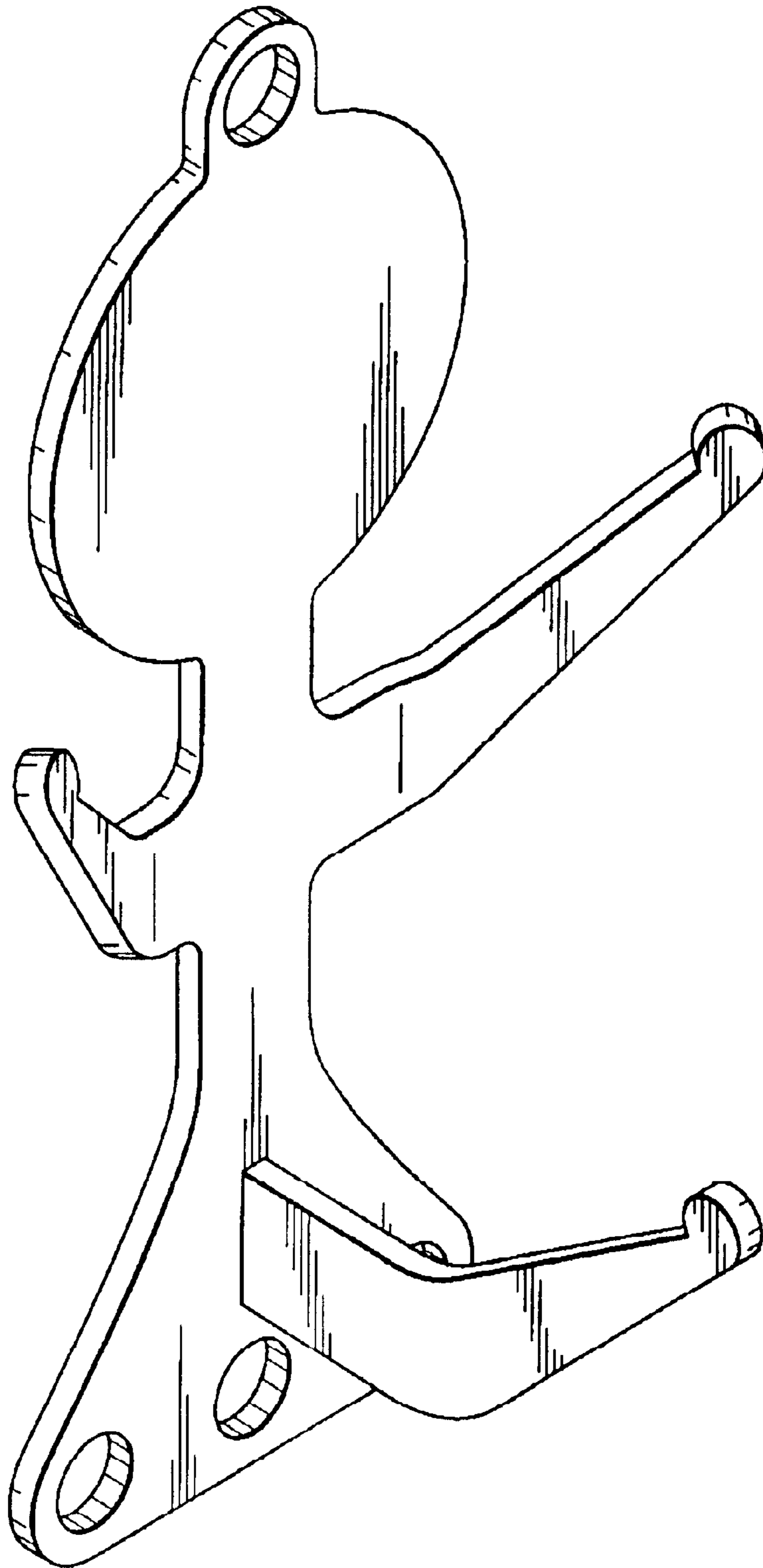


FIG. 1

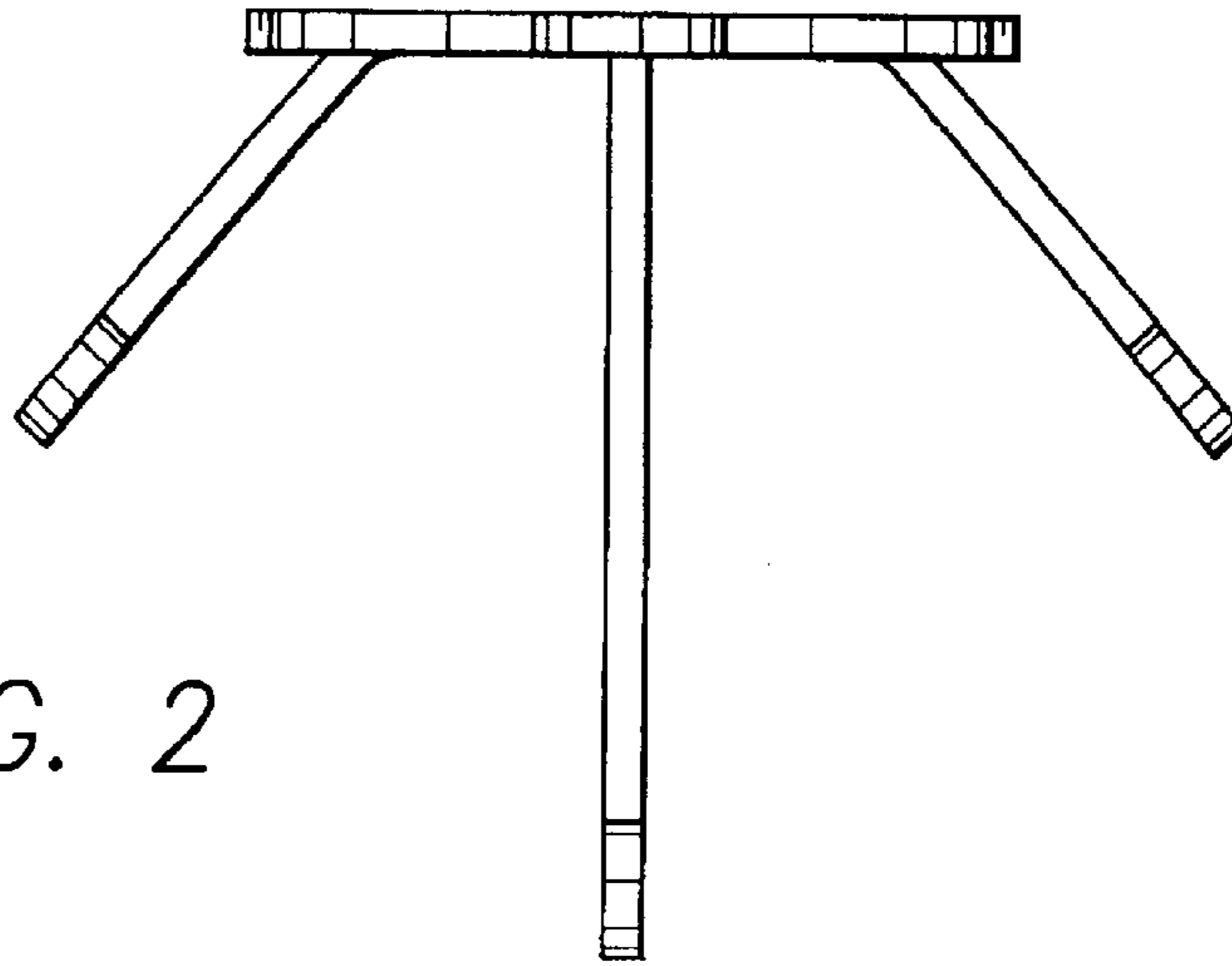


FIG. 2

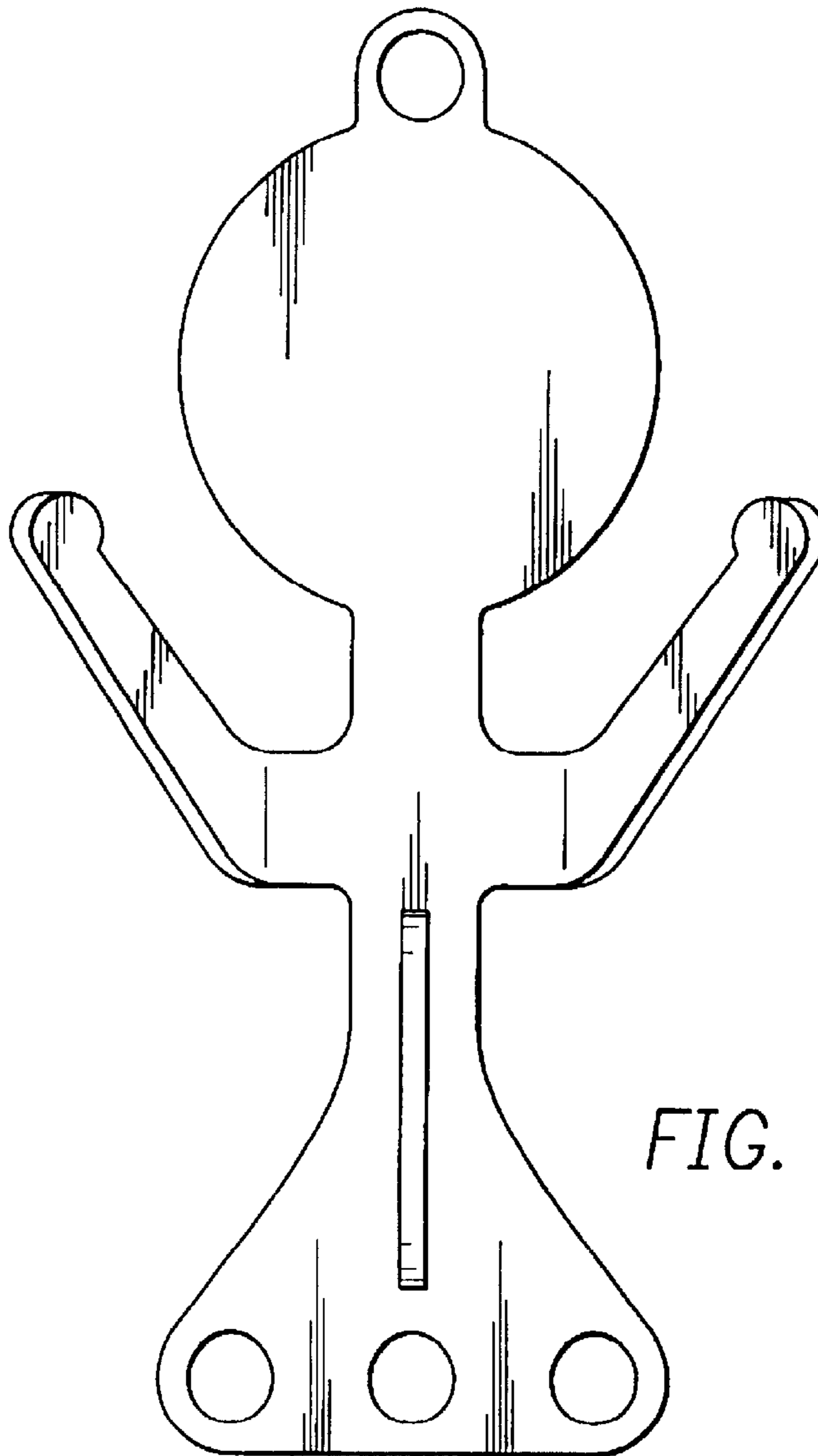


FIG. 3

FIG. 4

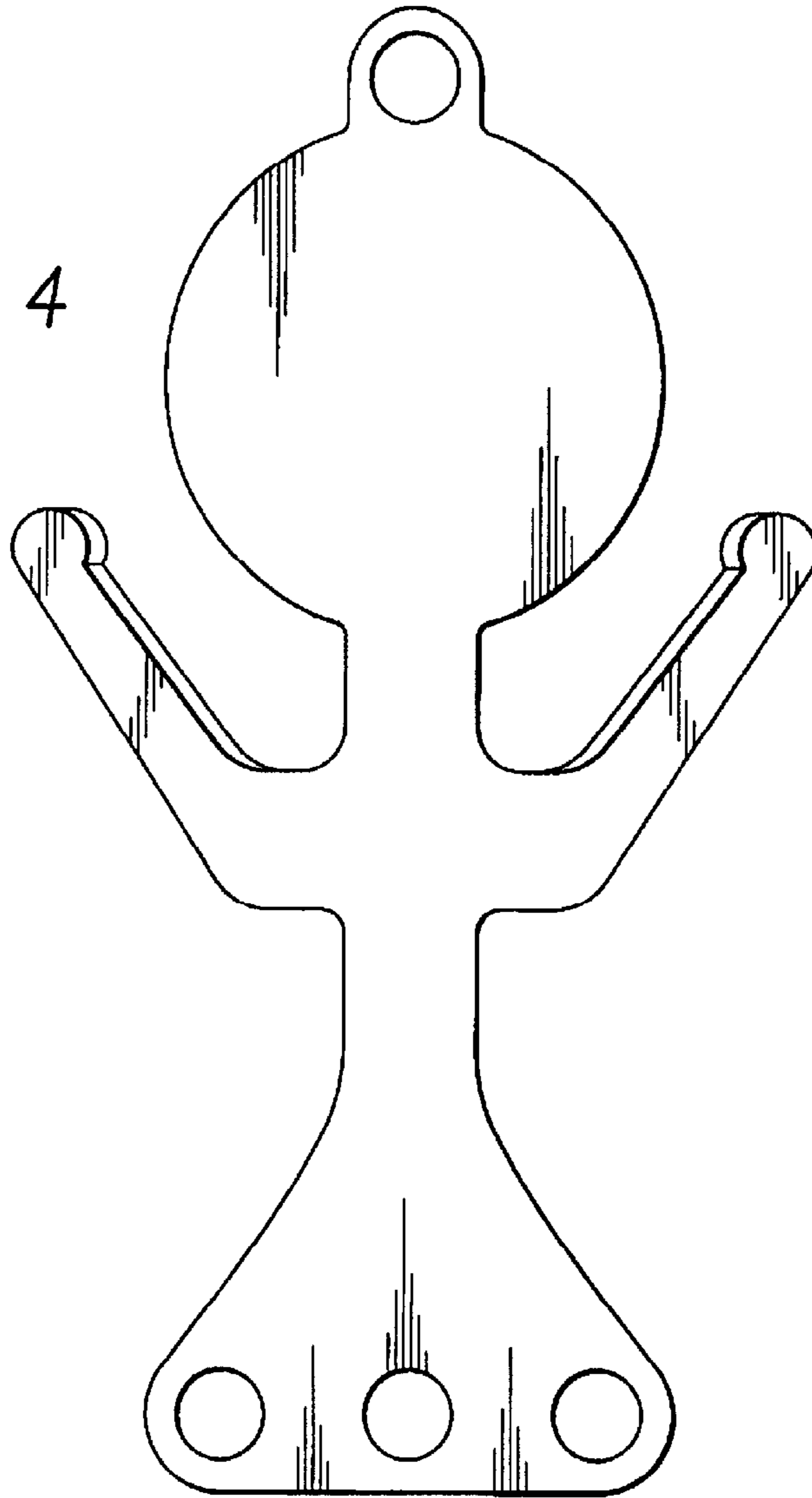
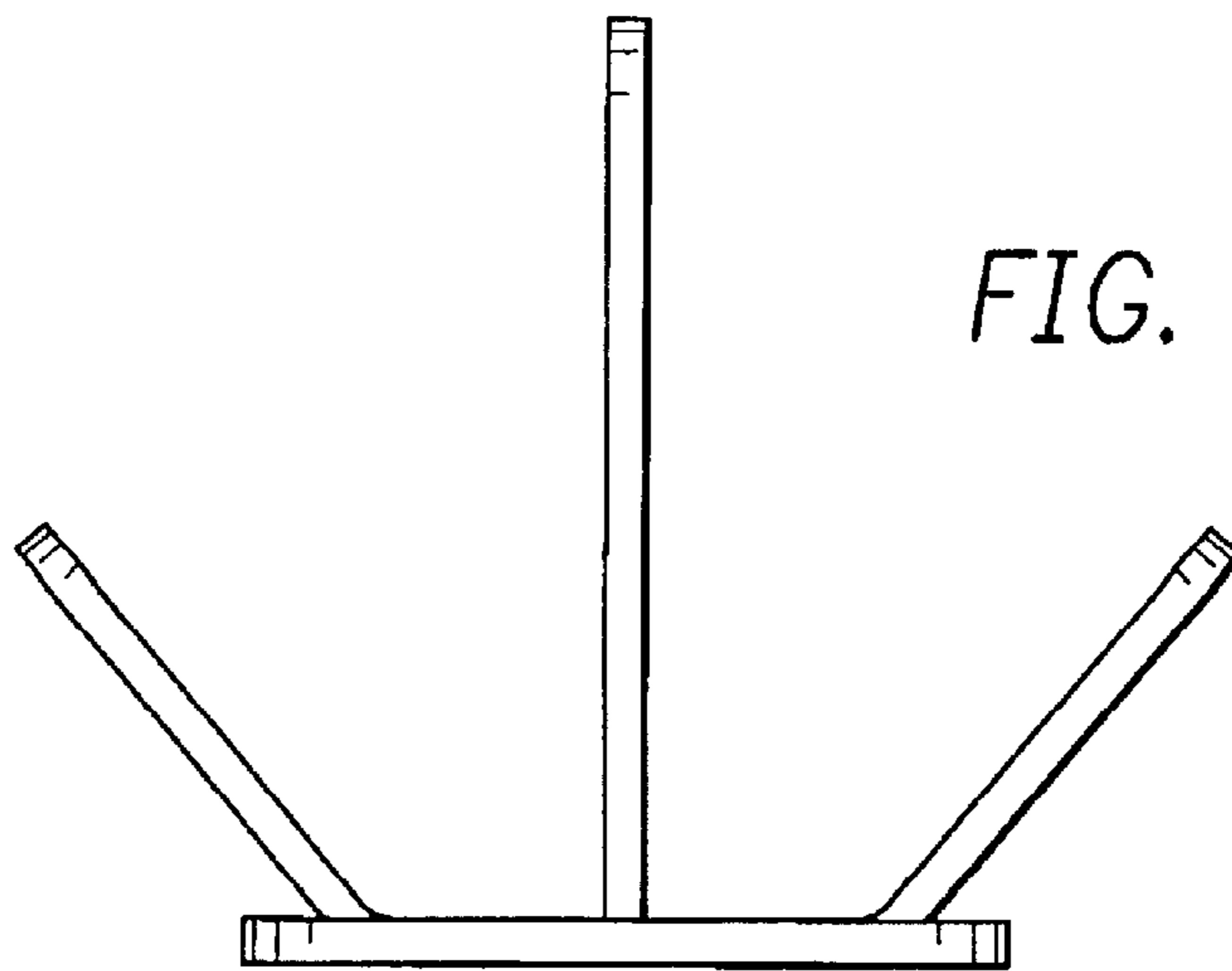


FIG. 5



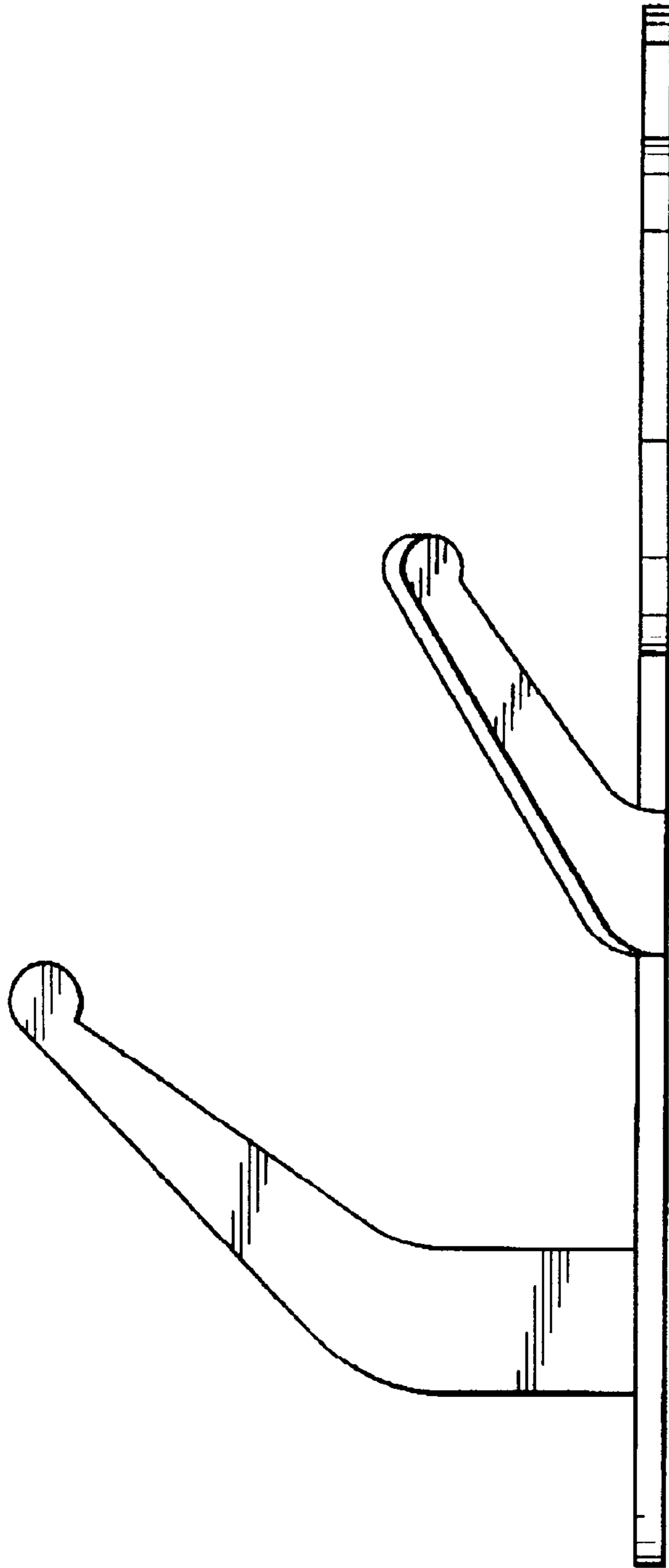


FIG. 6