



US00D459927S

(12) **United States Design Patent**
Flowers et al.

(10) **Patent No.: US D459,927 S**
(45) **Date of Patent: ** Jul. 9, 2002**

(54) **SNACK CONTAINER DISPENSER**
(75) Inventors: **Karl Gregory Flowers**, Frisco; **Denis Peter Gibney**, Dallas, both of TX (US); **Dale Albert Hodgson**, Chardon, OH (US); **Leisha Whittington Kingston**, Frisco, TX (US); **Frederick David Lindsay**, Hendersonville, NC (US); **Gary Allen Walker**, Strongsville, OH (US)

5,368,191 A 11/1994 Johnson
D354,181 S 1/1995 Smith
5,390,821 A 2/1995 Markel
5,392,985 A 2/1995 Smith et al.
5,396,997 A 3/1995 Johnson
D369,708 S * 5/1996 Breen D6/515
5,531,517 A 7/1996 Alpen
D380,113 S * 6/1997 Byrd D6/515
D381,849 S * 8/1997 Snyder D6/515
5,680,744 A 10/1997 Kramedijian et al.
5,775,574 A 7/1998 Whitnell
5,788,117 A 8/1998 Zimmanck
5,794,817 A 8/1998 Rosa

(73) Assignee: **Recot, Inc.**, Pleasanton, CA (US)

(**) Term: **14 Years**

(List continued on next page.)

(21) Appl. No.: **29/153,640**

Primary Examiner—Brian N. Vinson
(74) *Attorney, Agent, or Firm*—Colin P. Cahoon; Carstens, Yee & Cahoon, L.L.P.

(22) Filed: **Jan. 9, 2002**

(51) **LOC (7) Cl.** **20-02**

(57) **CLAIM**

(52) **U.S. Cl.** **D6/517**

The ornamental design for a snack container dispenser, as shown.

(58) **Field of Search** D6/512, 515, 517;
211/59.2, 71.01, 85.18; 221/282, 284; 312/45

DESCRIPTION

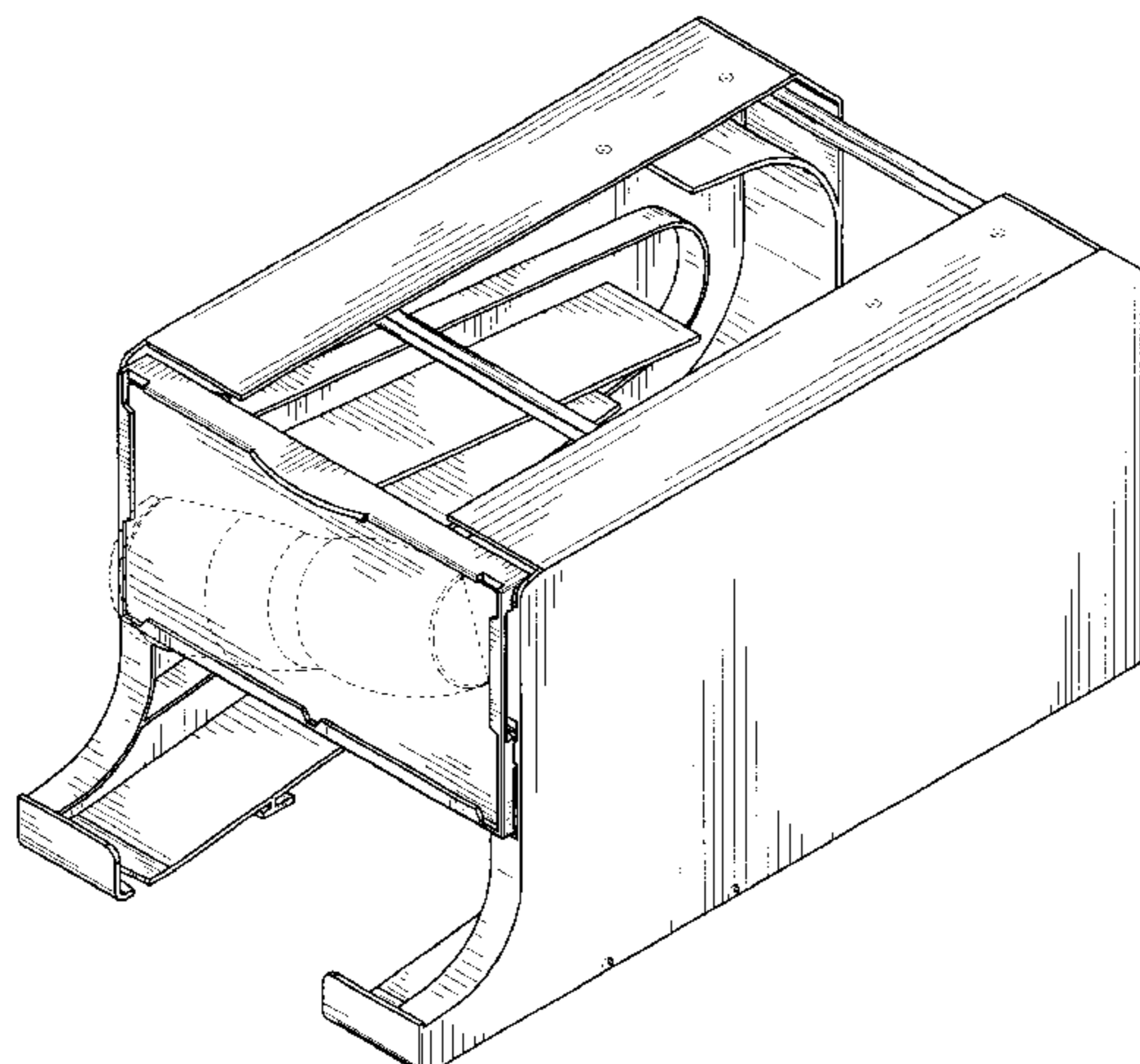
(56) **References Cited**

U.S. PATENT DOCUMENTS

2,382,191 A 8/1945 Weichselbaum
2,852,327 A * 9/1958 Mason 312/45
2,996,344 A 4/1961 Garman
3,178,242 A 4/1965 Ellis et al.
3,406,855 A 10/1968 McKechnie
3,941,247 A 3/1976 Cripe
D244,120 S 4/1977 Pieper
4,105,126 A * 8/1978 Deffner et al. 211/85.18 X
4,228,903 A 10/1980 Eckert
4,356,923 A 11/1982 Young et al.
4,401,255 A 8/1983 Conroy et al.
4,676,371 A 6/1987 Byrne
4,998,628 A 3/1991 Ross
5,020,719 A 6/1991 Roth et al.
5,137,211 A 8/1992 Summer et al.
5,228,590 A 7/1993 Blasko et al.
5,249,681 A 10/1993 Miller
D342,420 S * 12/1993 Ienna D6/517
5,289,943 A 3/1994 Powell
5,295,608 A 3/1994 Blasko et al.

FIG. 1 is a perspective view of the snack container dispenser of the present invention;
FIG. 2 is a right elevation view of the snack container dispenser of the present invention, with the left elevation view a mirror image of the right elevation view with respect to the novel features claimed;
FIG. 3 is a top plan view of the snack container dispenser of the present invention;
FIG. 4 is a bottom plan view of the snack container dispenser of the present invention;
FIG. 5 is a front elevation view of the snack container dispenser of the present invention; and,
FIG. 6 is a rear elevation view of the snack container dispenser of the present invention.
The broken lines showing a representation of a snack container on the front of the snack container dispenser, as shown in FIGS., 1, 2, 3, 4, and 5, are for illustrative purposes only and form no part of the claimed design.

1 Claim, 3 Drawing Sheets



US D459,927 S

Page 2

U.S. PATENT DOCUMENTS

D402,837 S 12/1998 Boire et al.
D405,622 S 2/1999 Linz
5,924,778 A 7/1999 TenBrink
D417,975 S 12/1999 Linz

6,230,933 B1 5/2001 Wysoczynski
6,247,593 B1 6/2001 Ruble
6,283,293 B1 9/2001 Lingamfelter

* cited by examiner

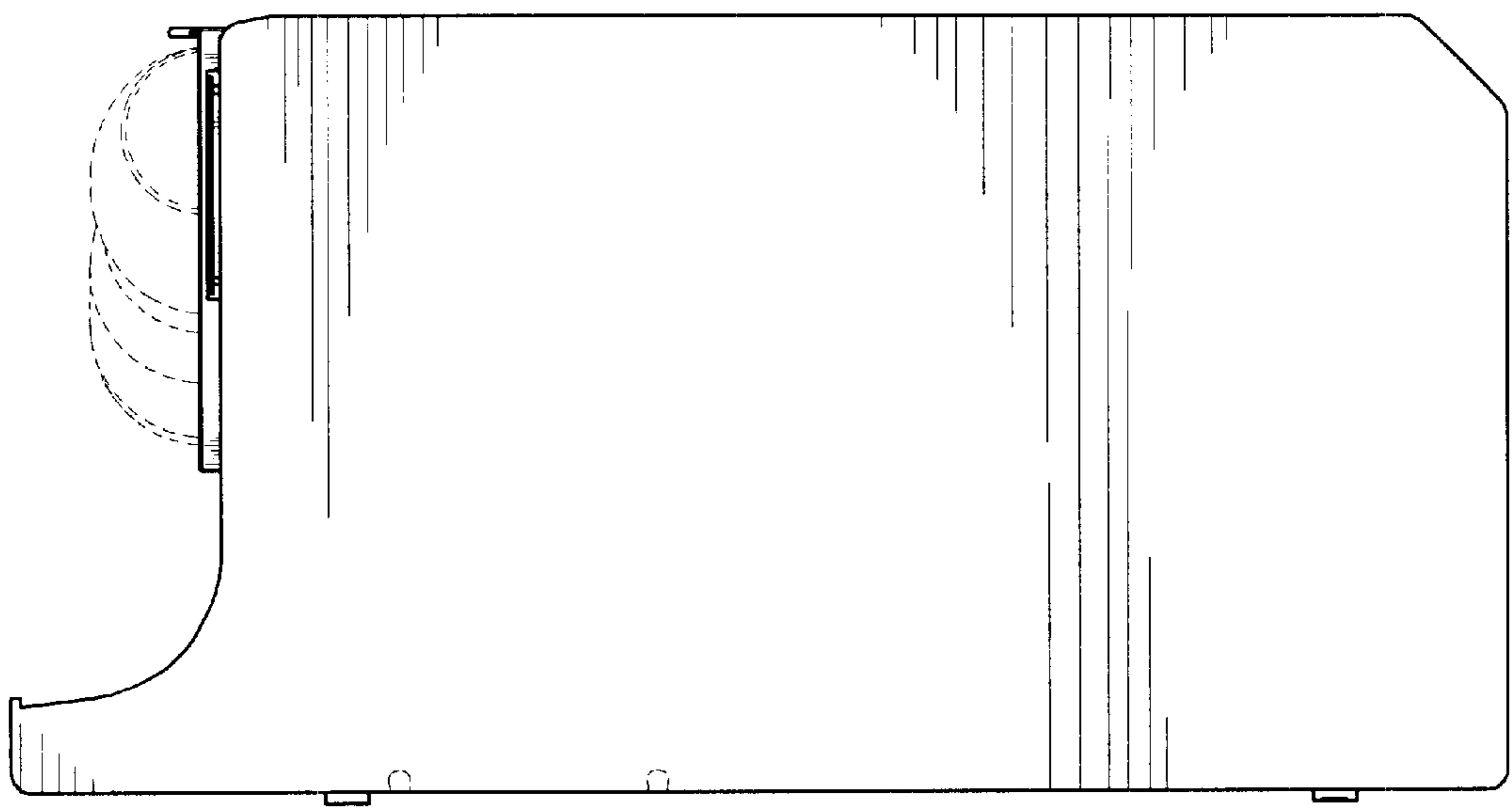
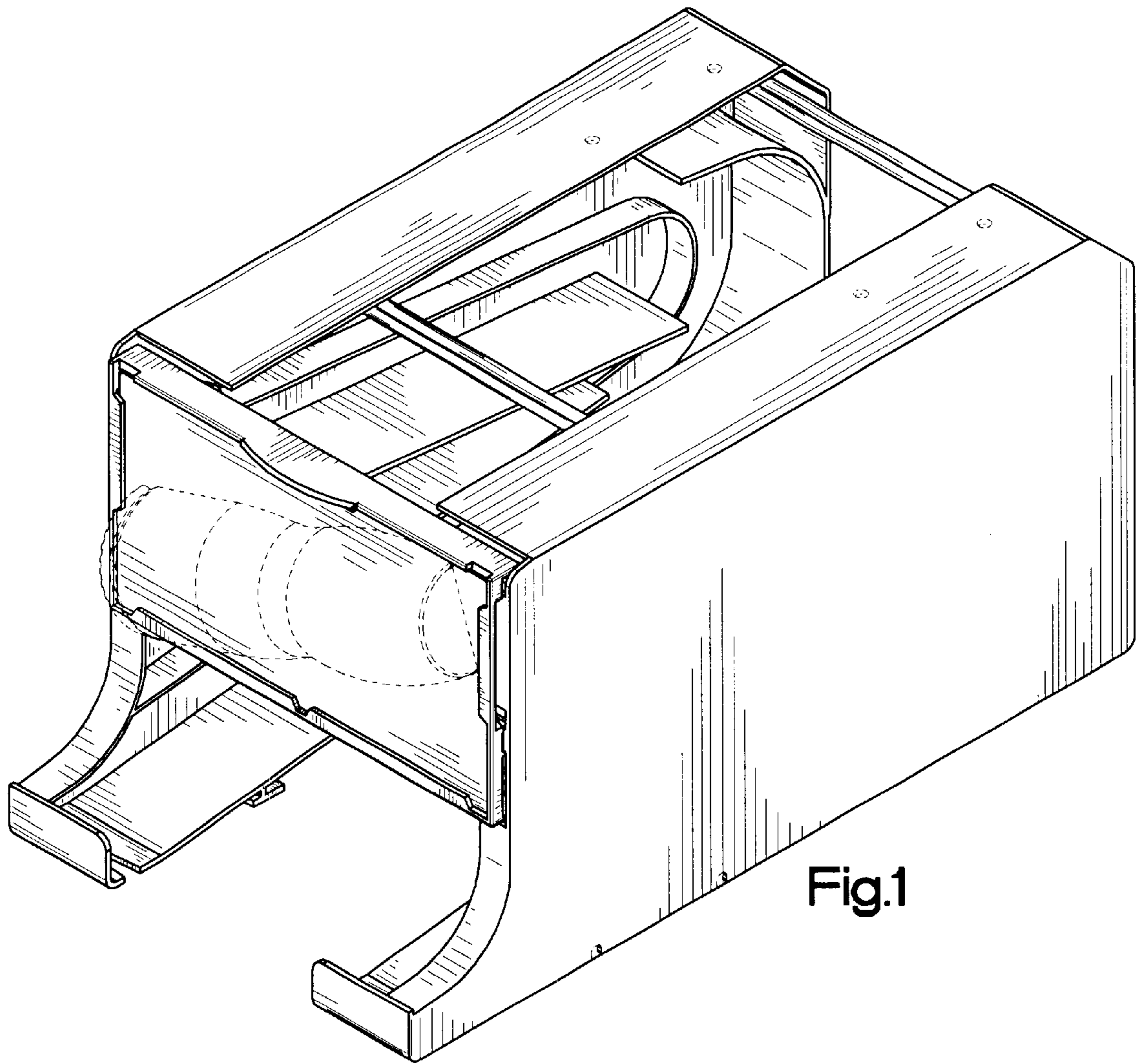


Fig.2

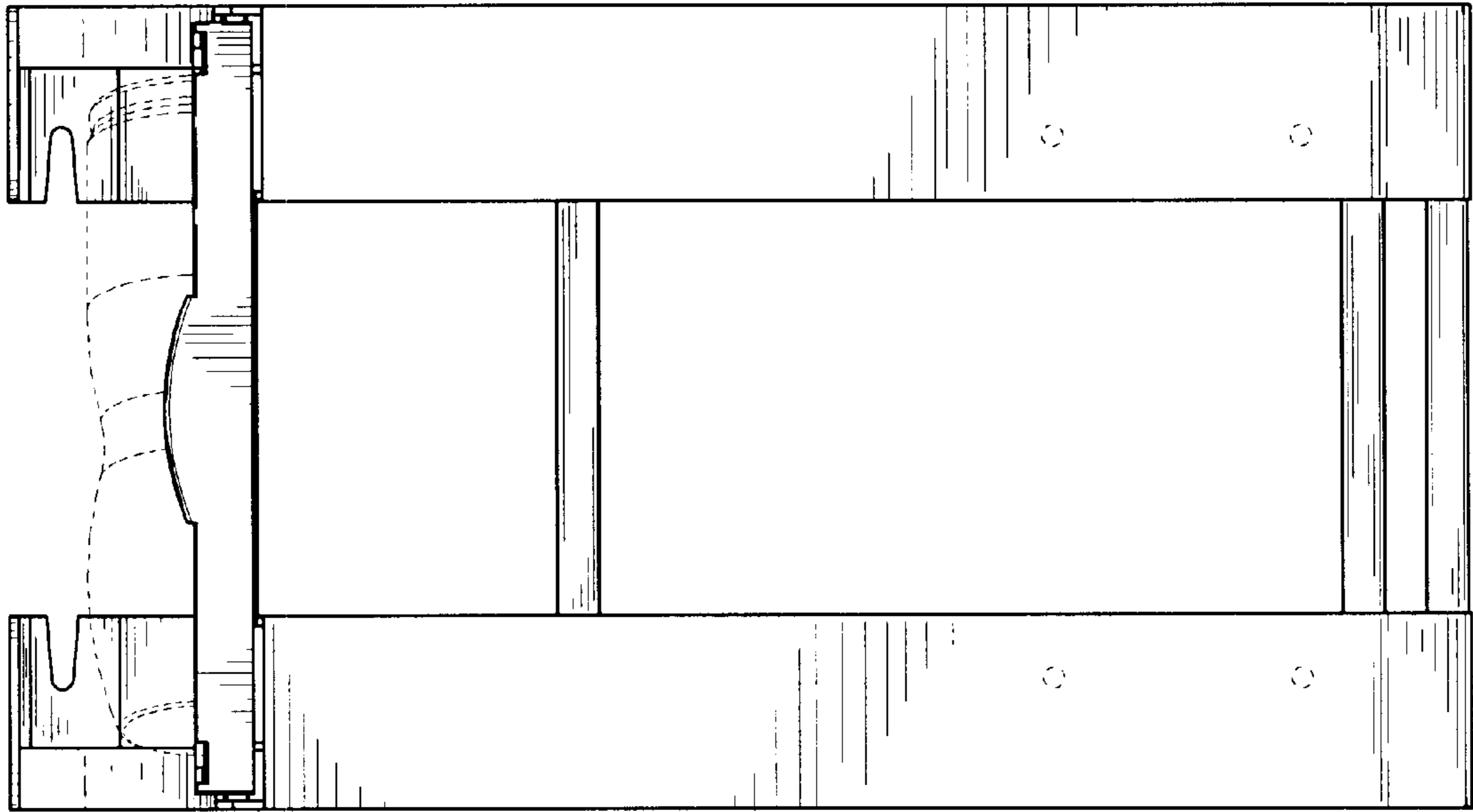


Fig.3

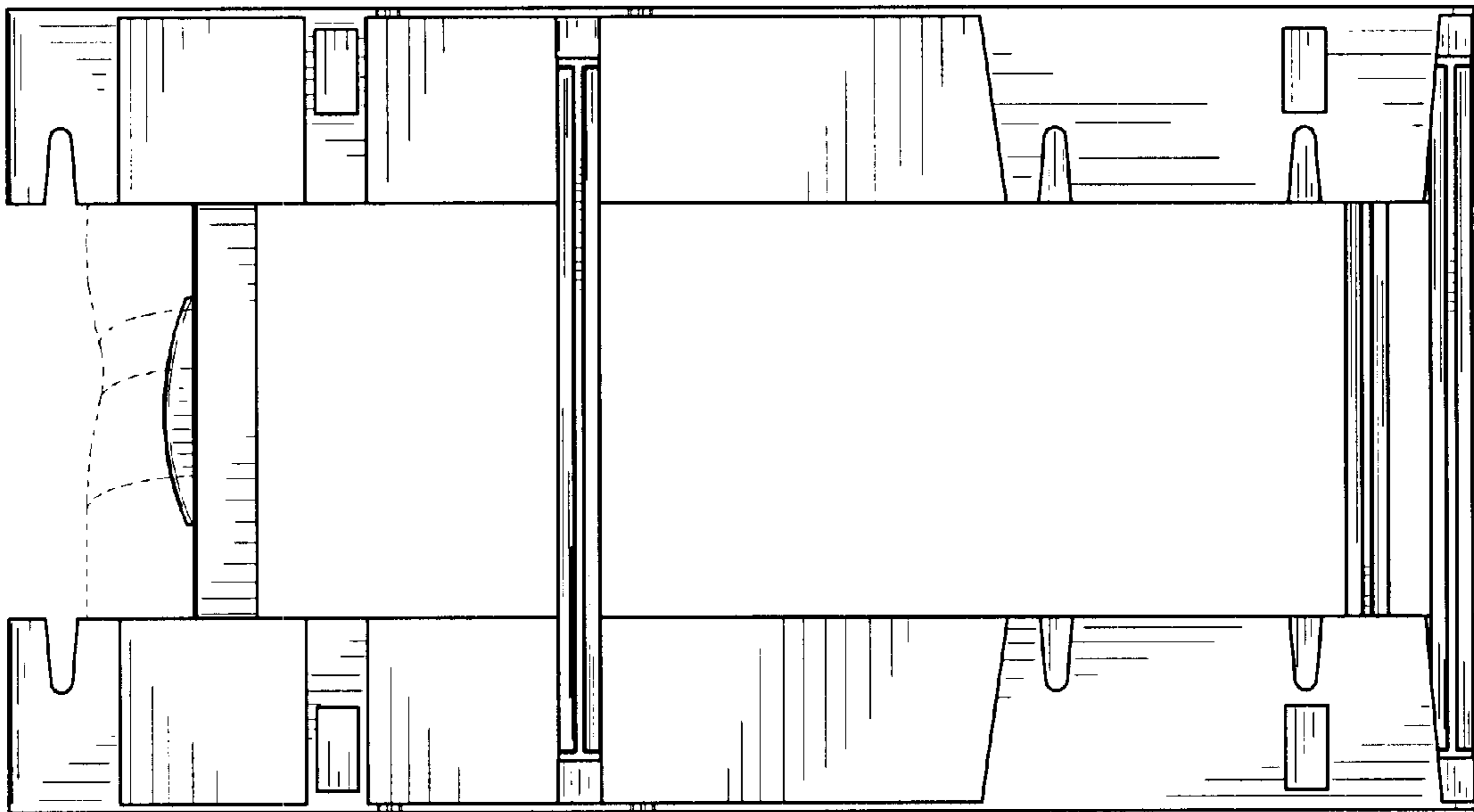


Fig.4

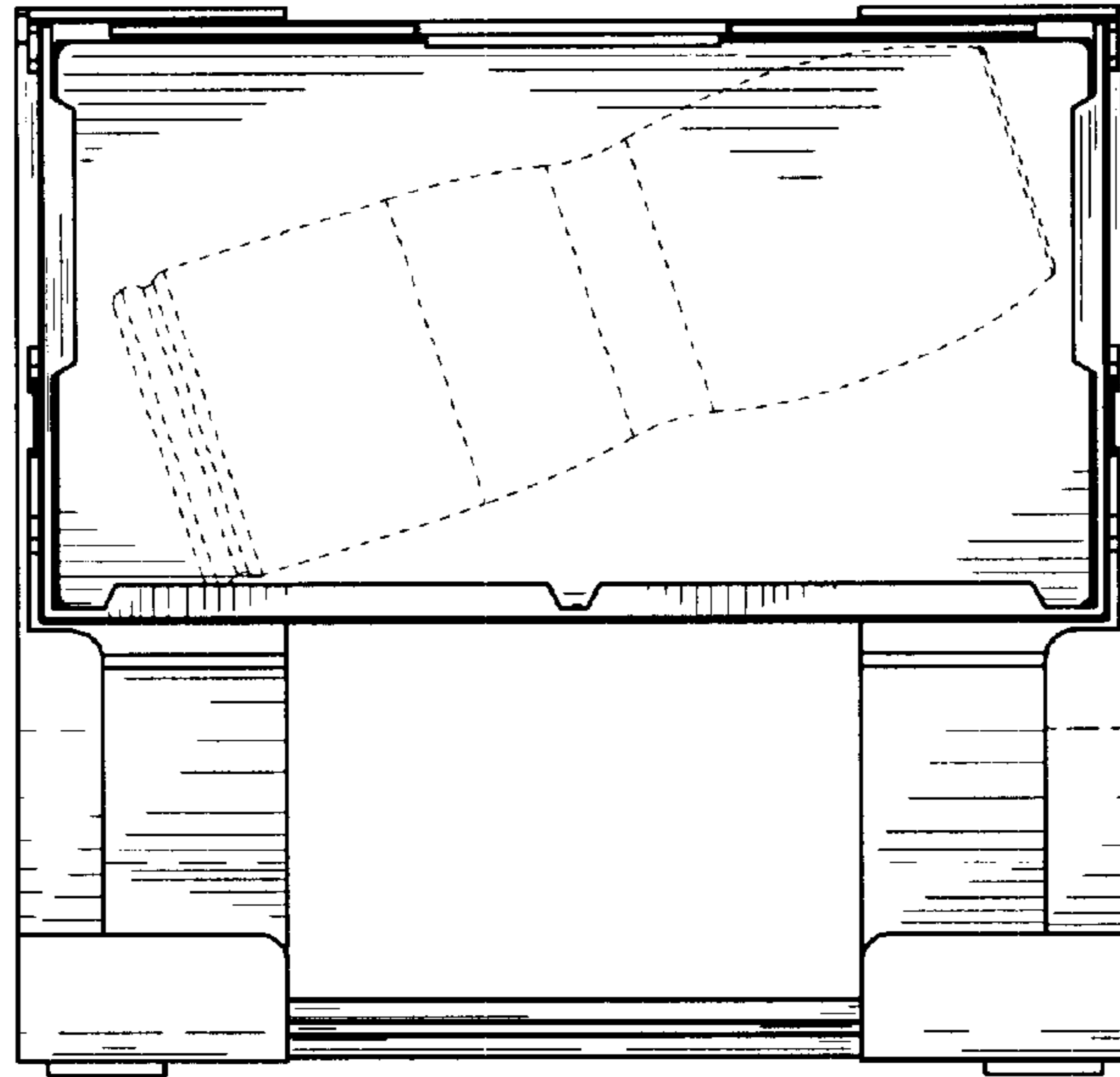


Fig.5

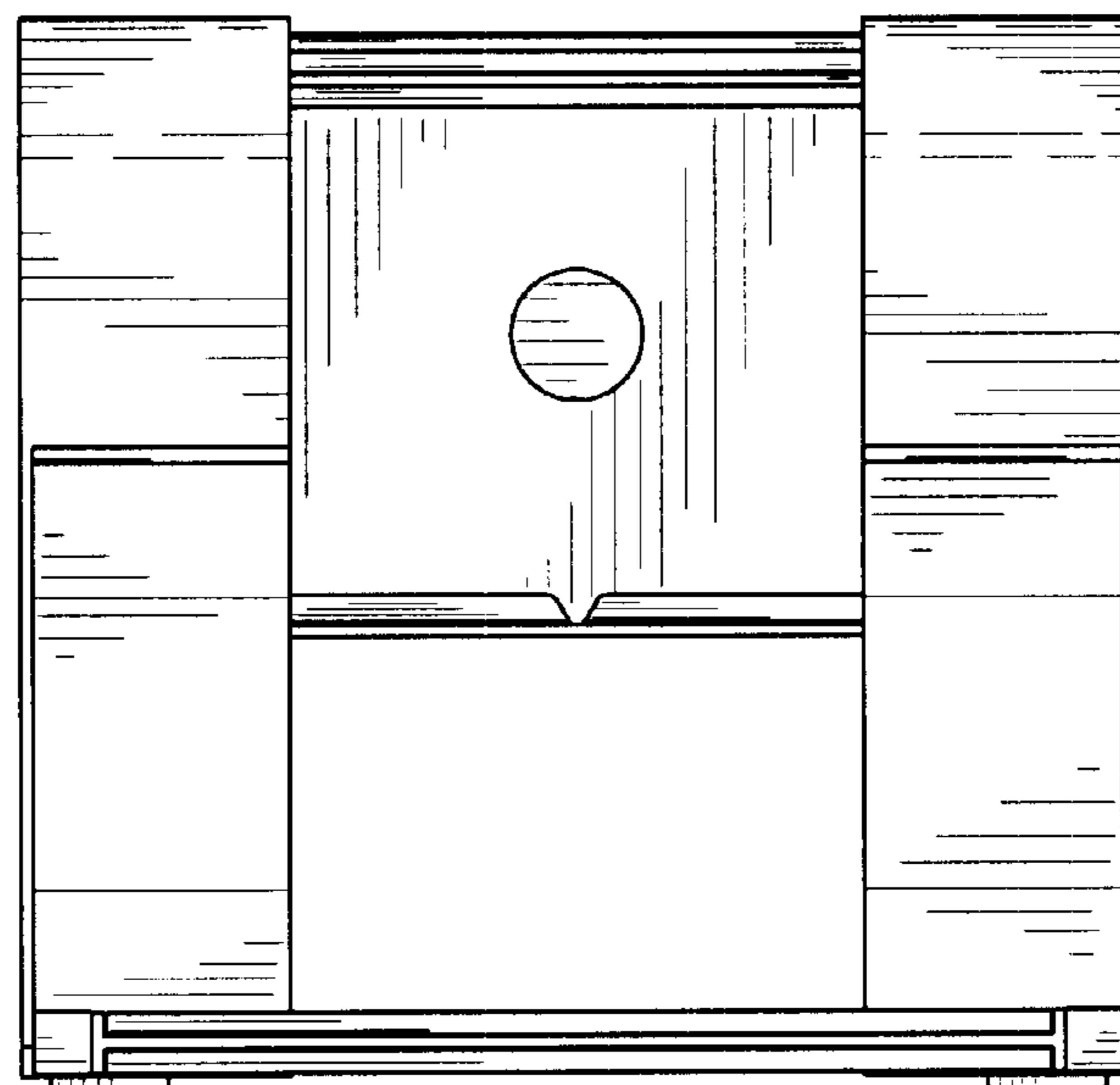


Fig.6