



US00D459925S

(12) **United States Design Patent**
Gawel

(10) **Patent No.:** **US D459,925 S**

(45) **Date of Patent:** **** Jul. 9, 2002**

(54) **SHELF-LINER AND INSERT FOR WIRE RACK SHELVING**

(76) **Inventor:** **Theodore E. Gawel**, 5215 88th St. East, Bradenton, FL (US) 34202-3715

(**) **Term:** **14 Years**

(21) **Appl. No.:** **29/151,398**

(22) **Filed:** **Nov. 8, 2001**

Related U.S. Application Data

(63) Continuation of application No. 29/122,970, filed on May 8, 2000, now abandoned.

(51) **LOC (7) Cl.** **06-04**

(52) **U.S. Cl.** **D6/511**

(58) **Field of Search** D6/329, 396, 449, D6/458, 461, 462, 465, 477, 479, 480, 481, 485, 490, 491, 509, 511, 403, 405, 502, 555, 567, 574, 569, 570, 572; D34/38; 108/56.3, 57.17, 64, 90; 211/90.1, 90.3, 134, 135, 183, 153; 248/250, 253

(56) **References Cited**

U.S. PATENT DOCUMENTS

1,596,296 A	8/1926	Oberdorfer
3,241,334 A	3/1966	Amore
3,513,786 A	5/1970	Kellogg
3,678,868 A	7/1972	Hirota
3,998,069 A	12/1976	Kronenberger et al.
D249,312 S	9/1978	Taber
4,567,701 A	2/1986	Biggs et al.
4,709,642 A	12/1987	Briosi
4,738,204 A	4/1988	Hammarberg
4,768,686 A	9/1988	Storti
4,846,077 A	7/1989	Win
4,890,746 A	1/1990	Trulaske, Sr.
D310,459 S	9/1990	Gipe

5,090,398 A	2/1992	Raymer et al.
D333,645 S	3/1993	Tyler
5,228,581 A	7/1993	Palladino et al.
5,282,595 A	2/1994	Conforti
D354,864 S	1/1995	Kokenge et al.
5,538,147 A	7/1996	Fucci
5,597,077 A	1/1997	Hartmann
5,664,513 A	9/1997	Echelbarger
5,697,302 A	12/1997	Putnam
D391,421 S	3/1998	Steelman
5,810,179 A	9/1998	Kleiman
D400,038 S	10/1998	Herman et al.
D412,079 S	7/1999	Wegman

OTHER PUBLICATIONS

Yield House Fall 1997 catalog; p. 27: item F.*

* cited by examiner

Primary Examiner—Ted Shooman

Assistant Examiner—C Tuttle

(74) *Attorney, Agent, or Firm*—Philip J. Pollick

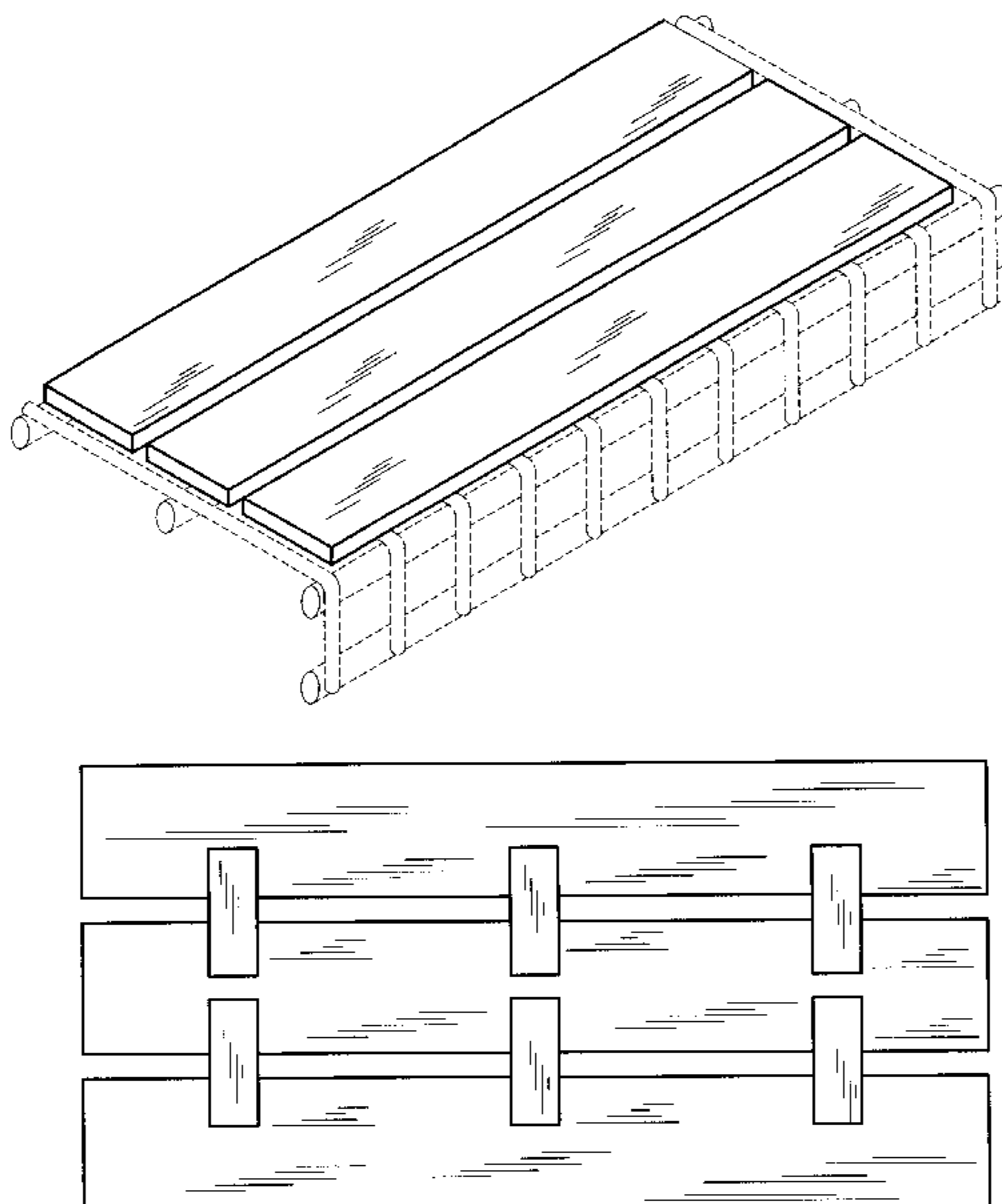
(57) **CLAIM**

The ornamental design for a shelf liner and insert for wire rack shelving, as shown and described.

DESCRIPTION

FIG. 1 is a perspective view of a shelf liner and insert for wire rack shelving showing my new design; FIG. 2 is a top view thereof; FIG. 3 is a bottom view thereof; FIG. 4 is a front elevational view thereof; FIG. 5 is a rear elevational view thereof; FIG. 6 is a left side elevational view thereof; and, FIG. 7 is a right side elevational view thereof. The broken line showing of a wire rack shelf in FIG. 1 is for illustrative purposes only and forms no part of the claimed design.

1 Claim, 2 Drawing Sheets



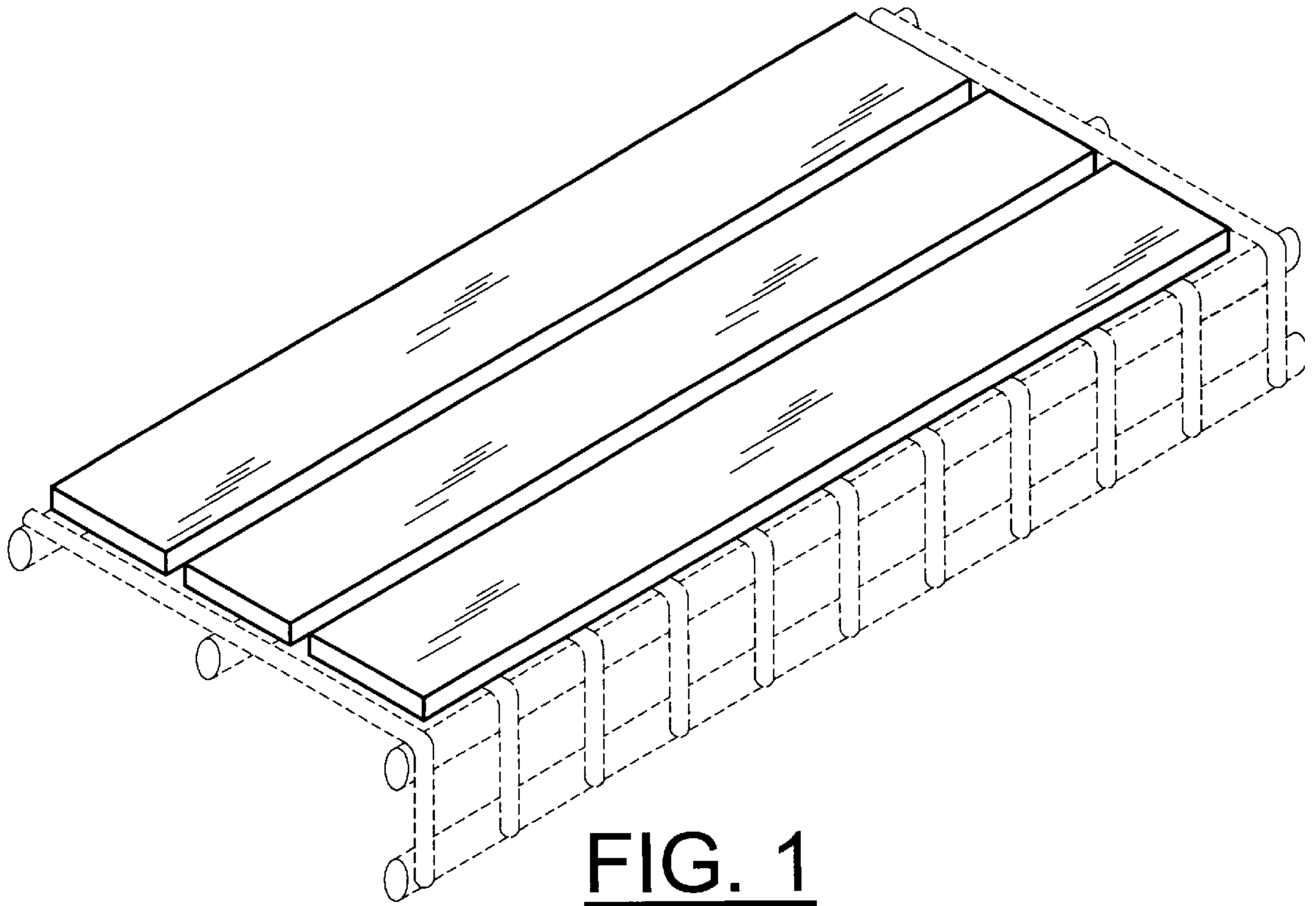


FIG. 1

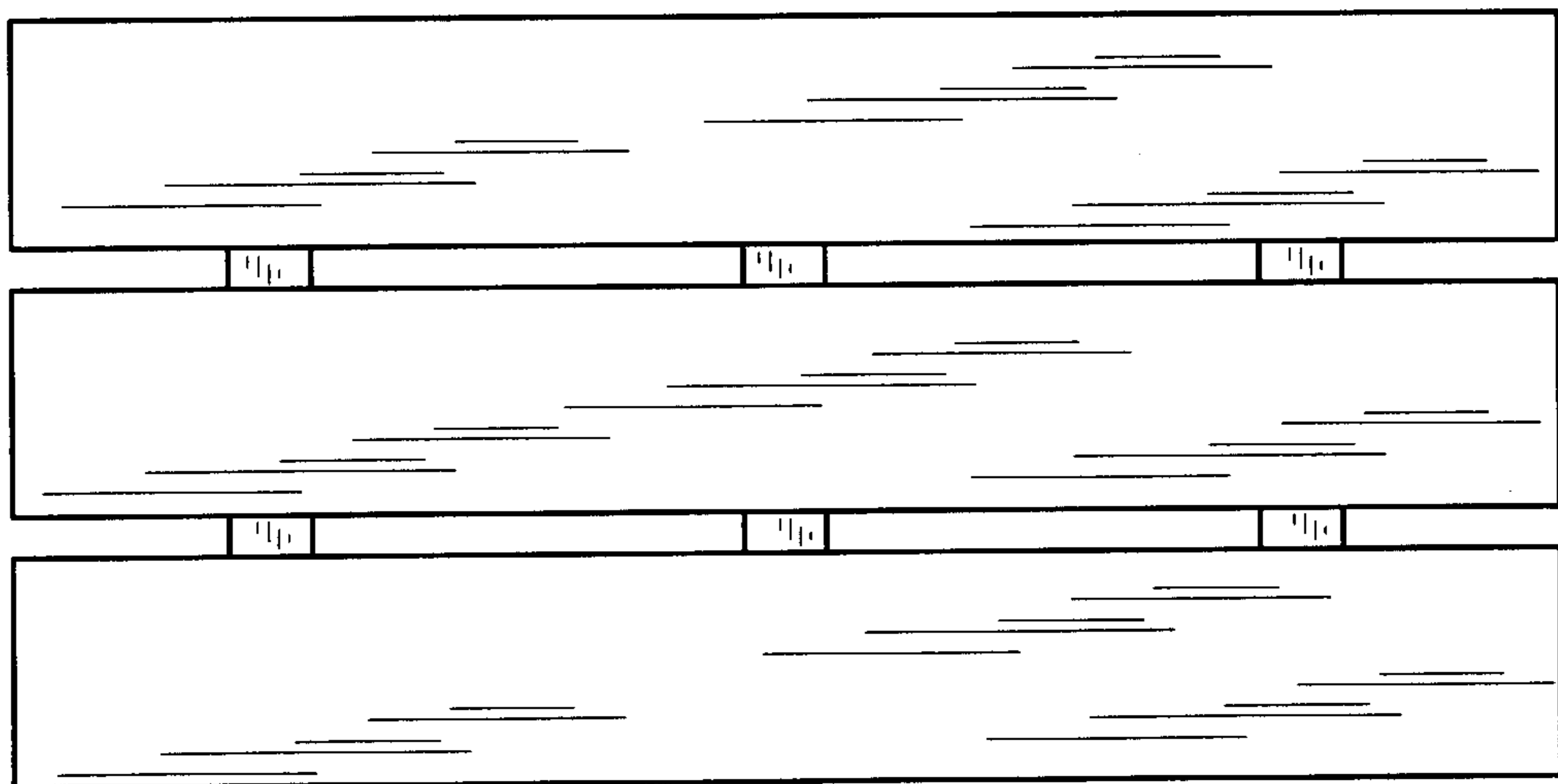


FIG. 2

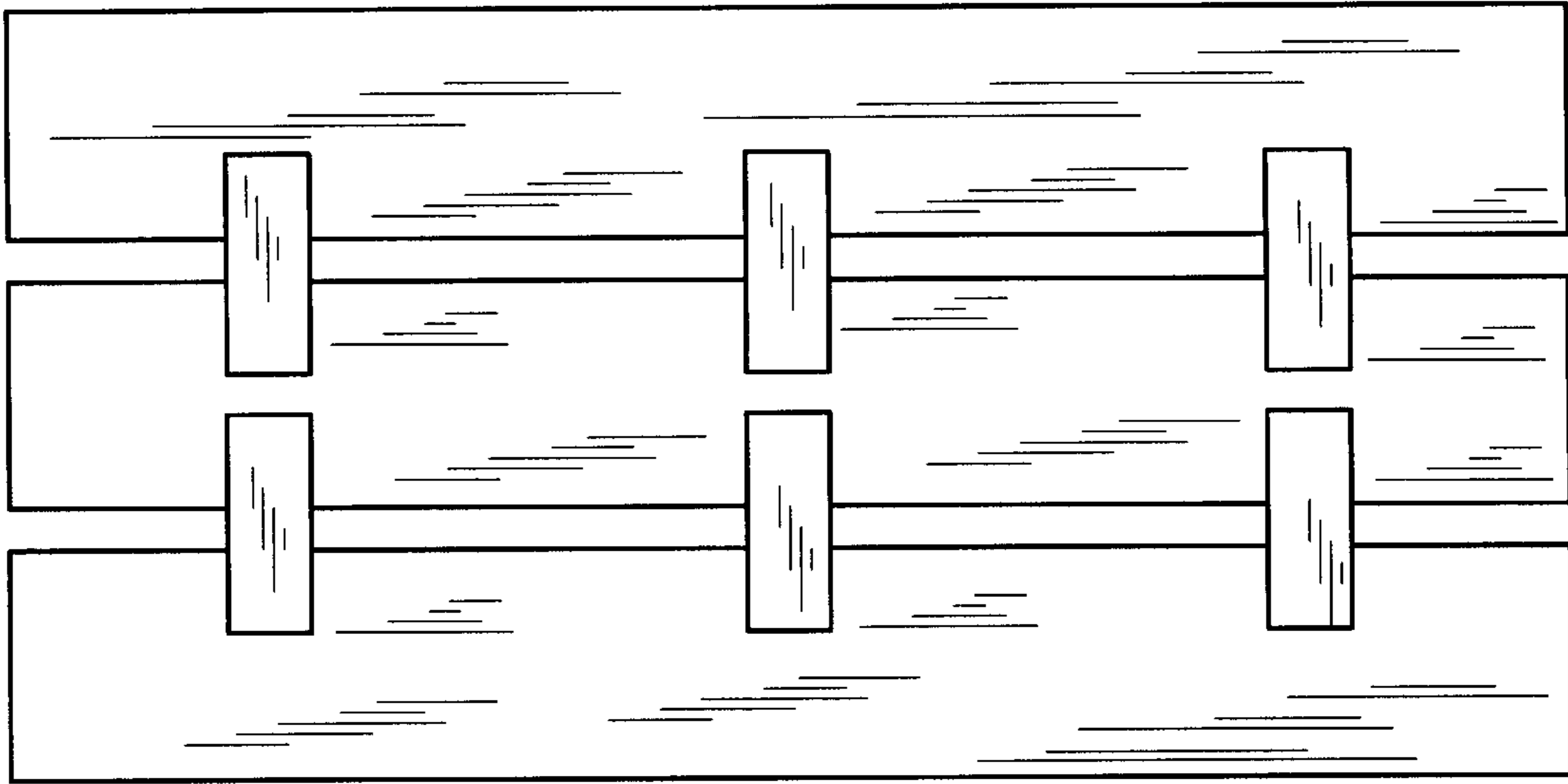


FIG. 3



FIG. 4



FIG. 5

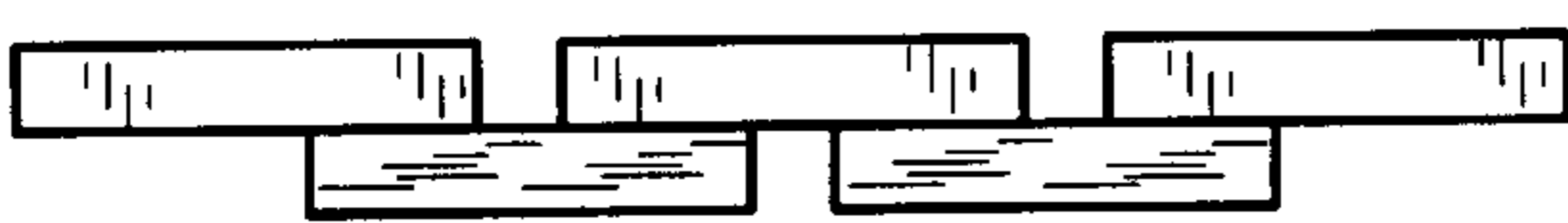


FIG. 6



FIG. 7