



US00D459924S

(12) **United States Design Patent**  
**Heidmann et al.**

(10) **Patent No.:** **US D459,924 S**

(45) **Date of Patent:** **\*\* Jul. 9, 2002**

(54) **ELEVATED BINDER BIN**

(75) Inventors: **Kurt R. Heidmann**, Grand Rapids, MI (US); **Thomas B. Eich**, Palo Alto, CA (US); **Karl H. Müller**, Grand Rapids, MI (US)

(73) Assignee: **Steelcase Development Corporation**, Caledonia, MI (US)

(\*\*) Term: **14 Years**

(21) Appl. No.: **29/133,320**

(22) Filed: **Nov. 28, 2000**

(51) **LOC (7) Cl.** ..... **06-06**

(52) **U.S. Cl.** ..... **D6/510; D6/418; D6/441**

(58) **Field of Search** ..... D6/332, 396, 397, D6/418, 426, 441, 509, 510; 312/243, 245, 247

(56) **References Cited**

**U.S. PATENT DOCUMENTS**

3,425,568	A	2/1969	Albright	
3,514,883	A	6/1970	Albright	
4,272,136	A	6/1981	Sengua	
4,619,486	A	10/1986	Hannah et al.	
D292,051	S	9/1987	Martin	
D303,881	S	* 10/1989	Markus	..... D6/421
4,883,330	A	11/1989	Armstrong et al.	
D312,927	S	12/1990	Martin	
D322,183	S	12/1991	Martin et al.	
5,094,174	A	3/1992	Grund et al.	
D330,641	S	11/1992	Zapf	
5,172,969	A	12/1992	Reuter et al.	
5,183,319	A	2/1993	Pearson et al.	
5,409,308	A	* 4/1995	Reuter et al.	..... 312/319.4
D372,811	S	* 8/1996	Muller-Deisig et al.	..... D6/399
5,544,593	A	8/1996	Canfield et al.	
D376,705	S	* 12/1996	Stoddard et al.	..... D6/426
D400,383	S	* 11/1998	Fricano et al.	..... D6/559
5,845,980	A	* 12/1998	Fricano et al.	..... 312/327
5,893,616	A	4/1999	MacDonald et al.	
6,113,201	A	9/2000	Bauer	
D437,716	S	* 2/2001	Chau et al.	..... D6/509
6,227,635	B1	* 5/2001	Teppo et al.	..... 312/328

**OTHER PUBLICATIONS**

Kimball Mobile Systems, Skate line, elevated bin, p. 30, 1999 brochure.\*  
Haworth, Vancouver Casegoods, overhead bin, p. 14, Dec. 2000 brochure.\*  
Exhibit A, Discloses a prior art binder bin first manufactured and sold more than one year ago under the tradename "SKATE" by Kimball International (2 pages).  
Exhibit B, Discloses a prior art binder bin manufactured and sold by Sugatsune (4 pages). undated.  
Exhibit C, is a brochure entitled *Knoll-Hannah Desk System*, 18 pages, dated Oct. 1986.  
Exhibit D, is a brochure entitled *Knoll-Hannah Desk System*, 13 pages, undated but published in 1986.  
Exhibit E, is a publication entitled *Knoll-Hannah Desk System-Electrical Assembly Guide*, 12 pages, undated but published in 1986.  
Exhibit F, is a publication entitled *Knoll-Hannah Desk System-Assembly Guide*, 12 pages, undated but published in 1986.

\* cited by examiner

*Primary Examiner*—Cathron C. Brooks  
(74) *Attorney, Agent, or Firm*—Price Heneveld Cooper DeWitt & Litton

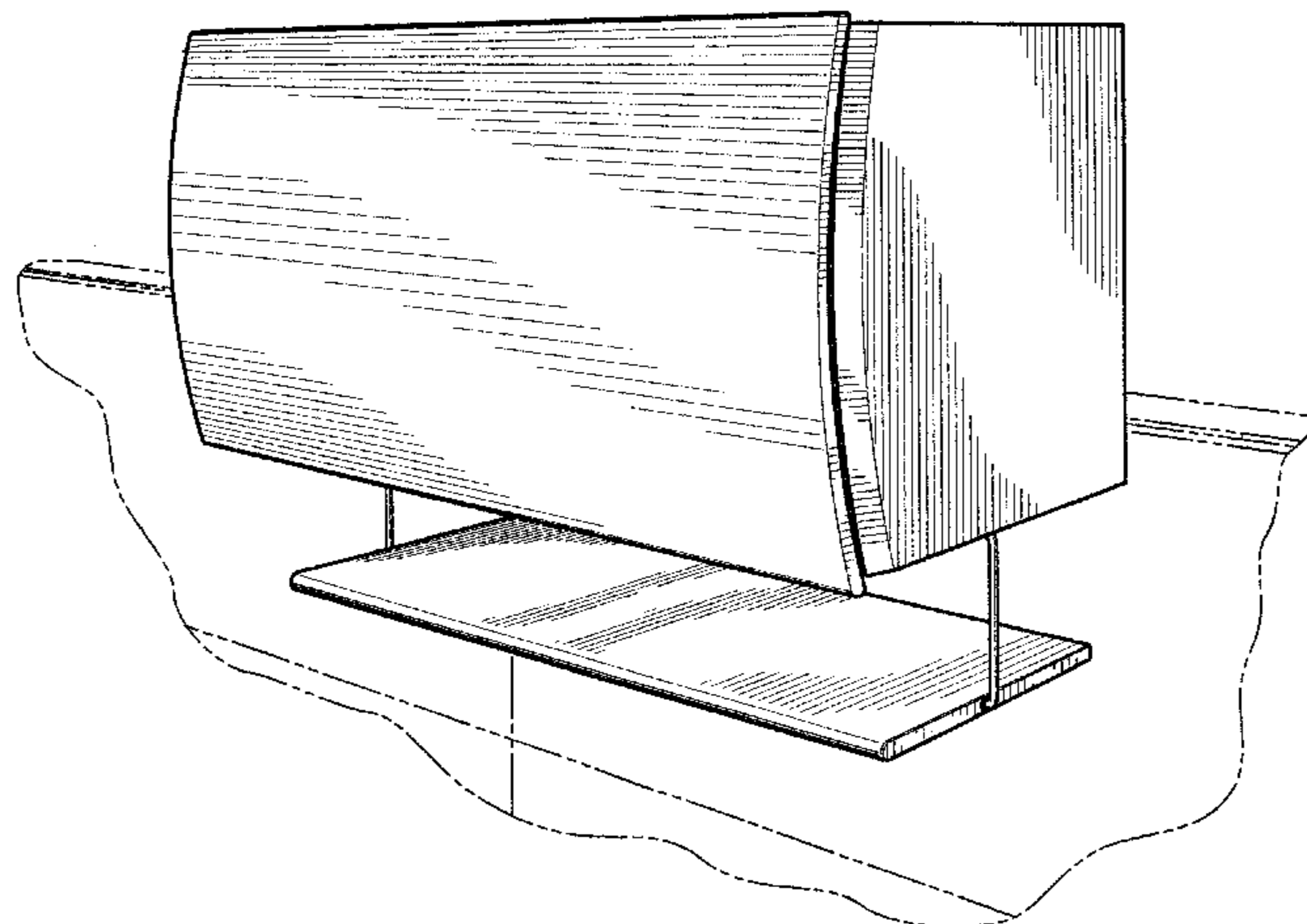
(57) **CLAIM**

The ornamental design for an elevated binder bin, as shown and described.

**DESCRIPTION**

FIG. 1 is a top perspective view of an elevated binder bin showing our design;  
FIG. 2 is a rear perspective view of FIG. 1;  
FIG. 3 is a front view of FIG. 1;  
FIG. 4 is an end view of FIG. 1, the opposite end view being a mirror image thereof;  
FIG. 5 is a rear view of FIG. 1;  
FIG. 6 is a top view of FIG. 1; and,  
FIG. 7 is a bottom view of FIG. 1.  
The broken lines shown are for illustrative purposes only and form no part of the claimed design.

**1 Claim, 3 Drawing Sheets**



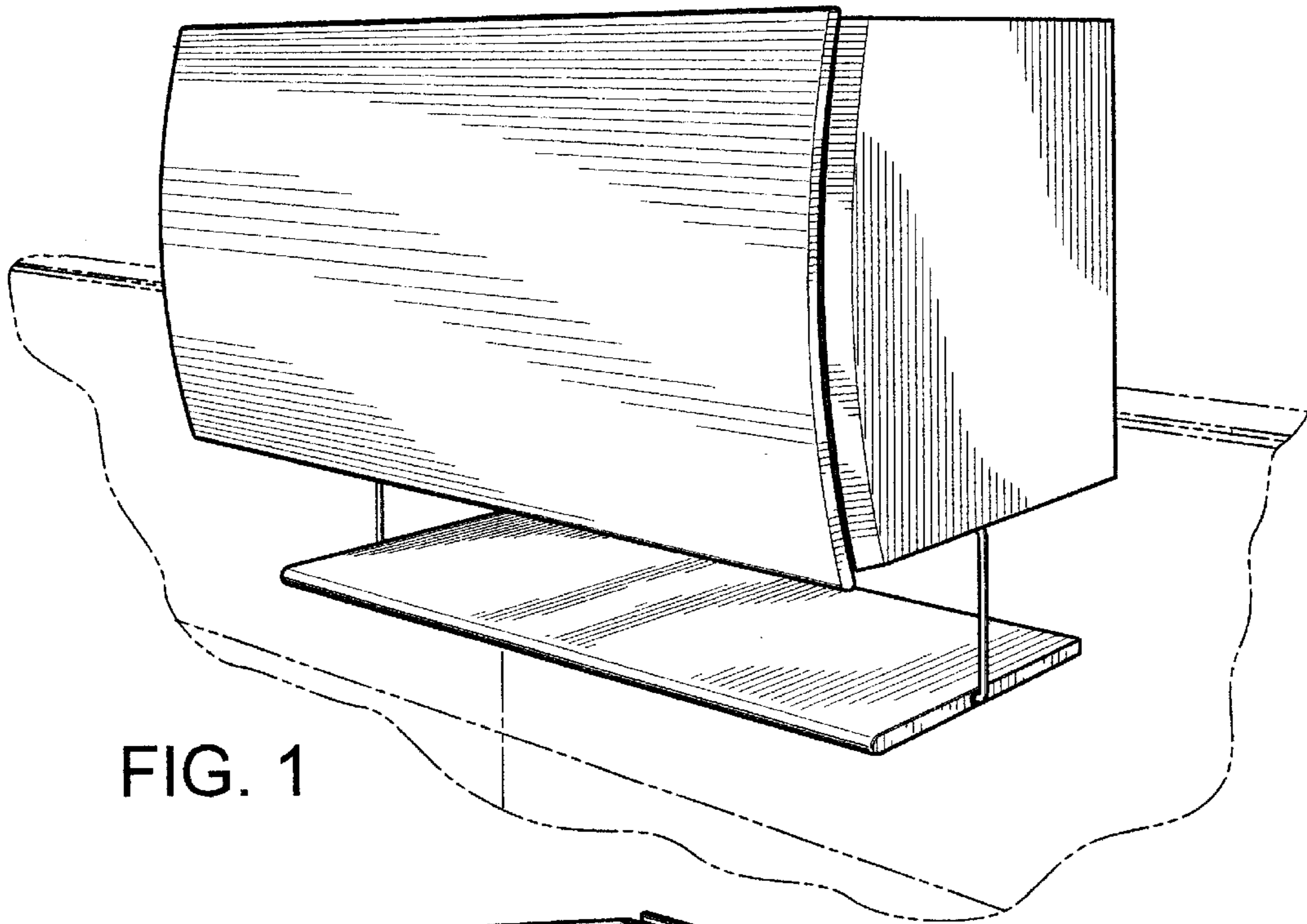


FIG. 1

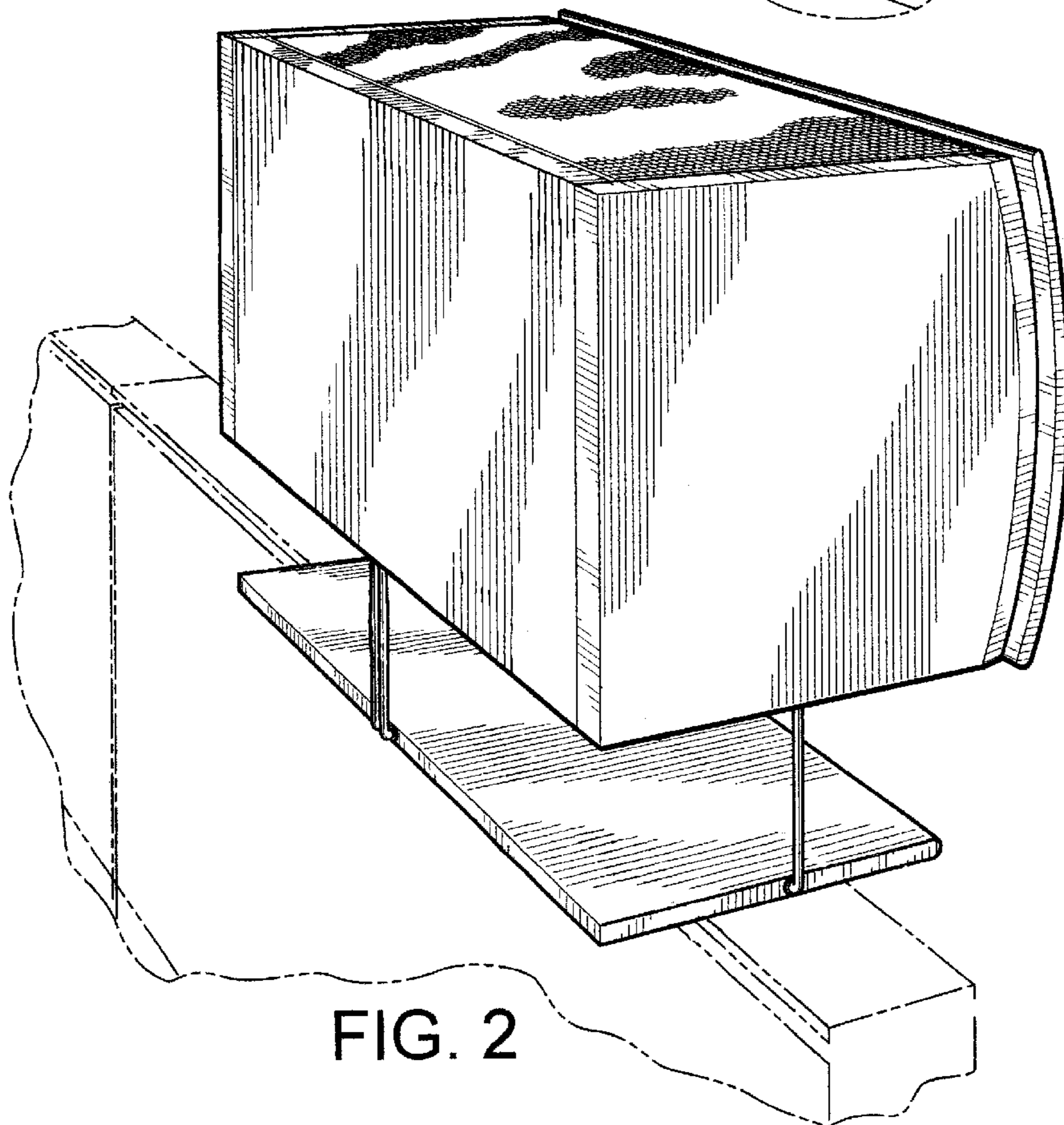


FIG. 2

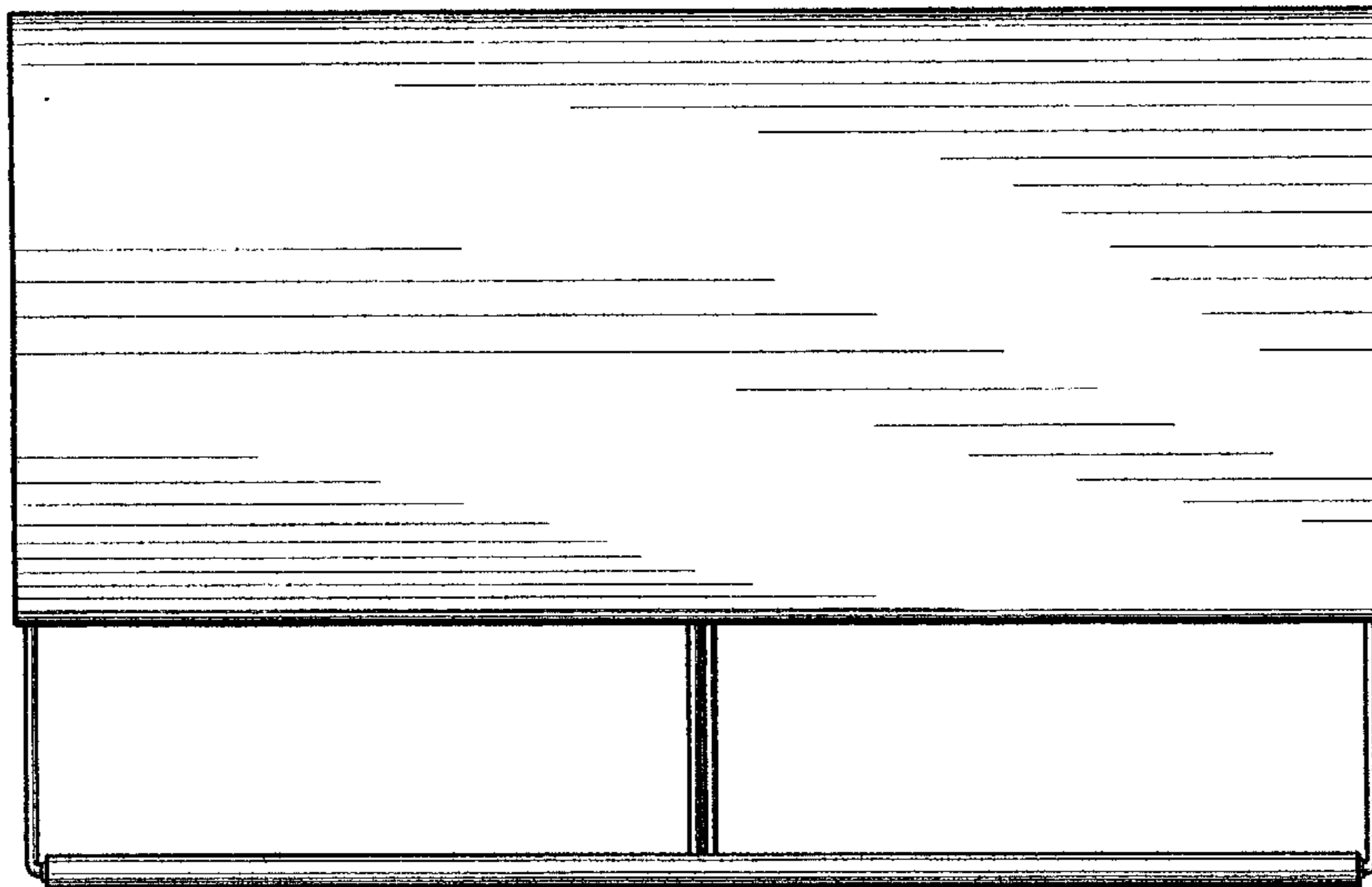


FIG. 3

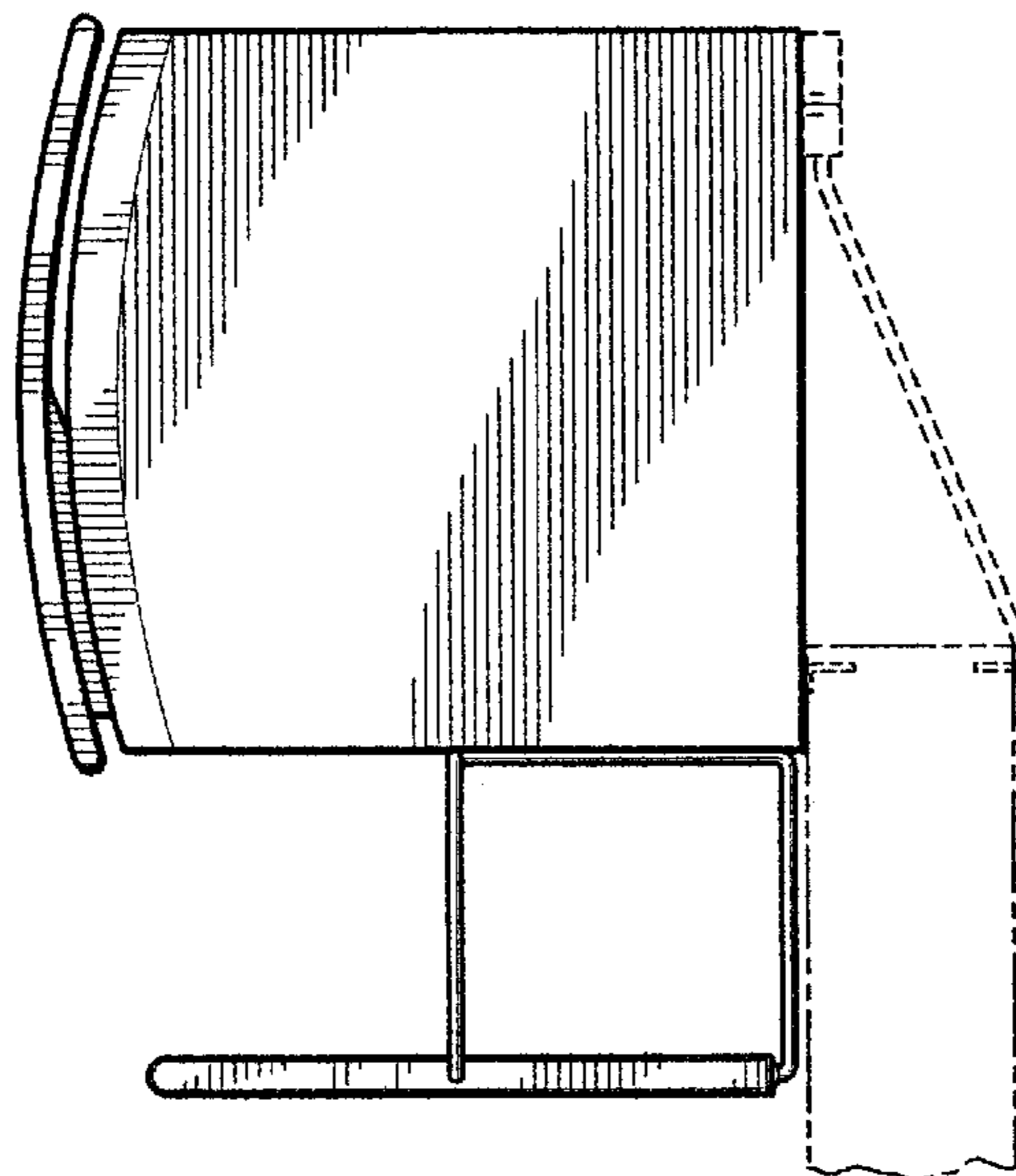


FIG. 4

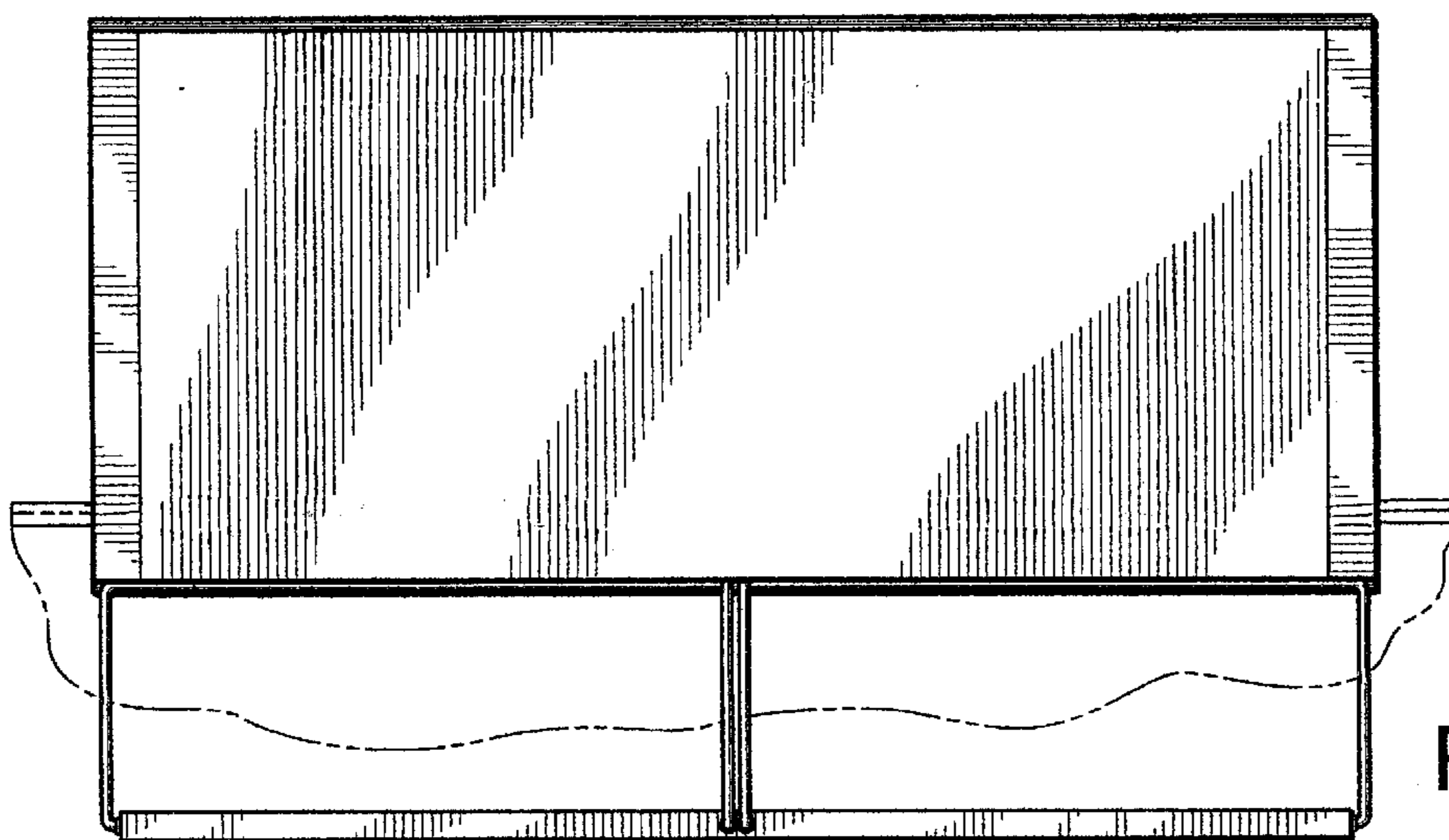


FIG. 5



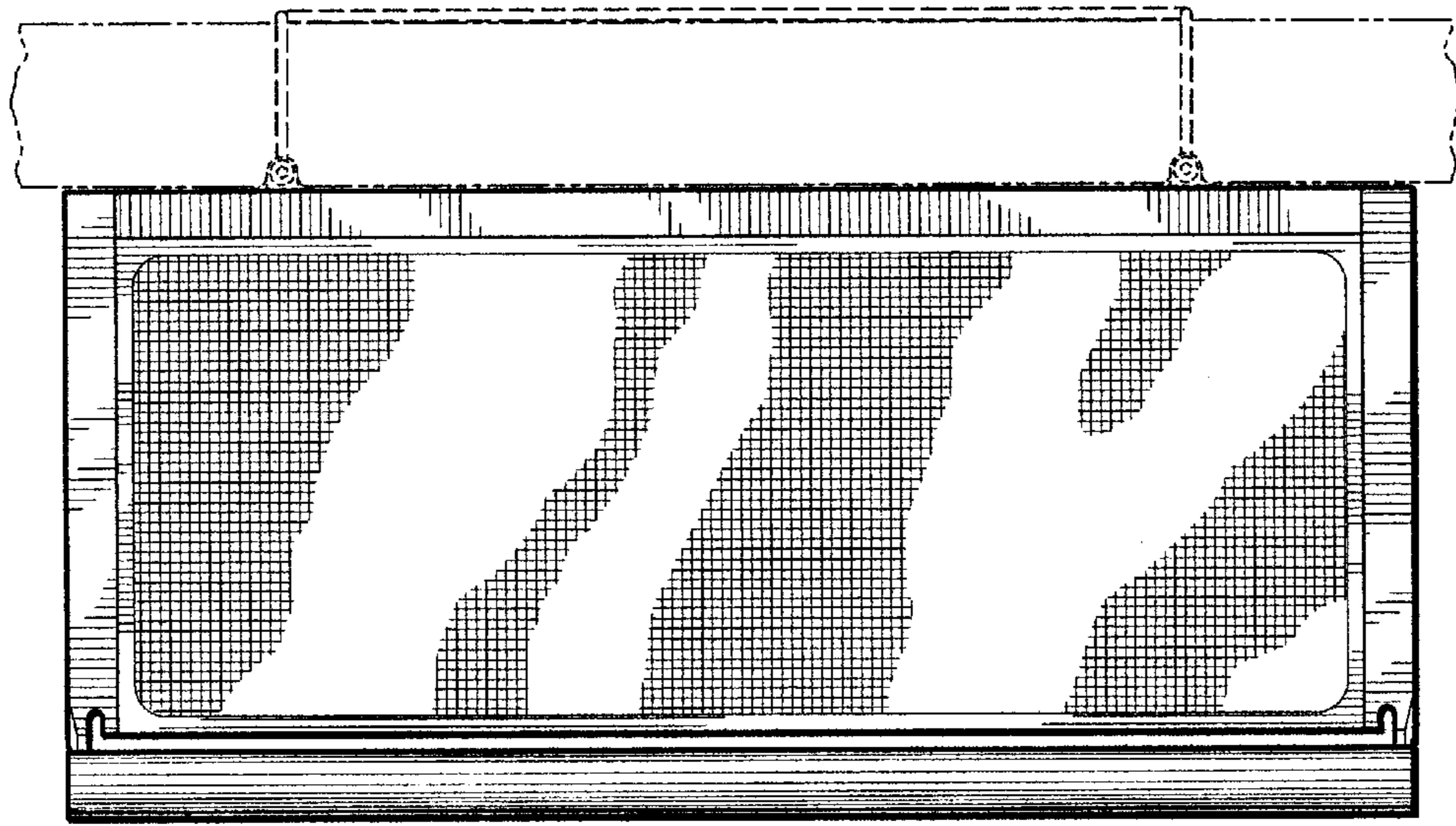


FIG. 6

FIG. 7

