



US00D459922S

(12) **United States Design Patent**
Lee

(10) **Patent No.:** **US D459,922 S**
(45) **Date of Patent:** **** Jul. 9, 2002**

(54) **CHAIR ARMREST**

(76) Inventor: **Wan-Chen Lee**, 58, Ma Yuan West St.,
Taichung (TW)

(**) Term: **14 Years**

(21) Appl. No.: **29/152,974**

(22) Filed: **Oct. 18, 2001**

(51) **LOC (7) Cl.** **06-06**

(52) **U.S. Cl.** **D6/501; D6/366**

(58) **Field of Search** D6/334, 364, 365,
D6/366, 367, 379, 500, 501, 502; 297/411.2,
411.27, 411.36

(56) **References Cited**

U.S. PATENT DOCUMENTS

D274,769 S	*	7/1984	Klier	D6/366
D345,874 S	*	4/1994	Muller	D6/501
5,346,284 A	*	9/1994	Dauphin	297/411.36
D371,475 S	*	7/1996	Tedesco	D6/501
D386,920 S	*	12/1997	Neil	D6/501
D393,384 S	*	4/1998	Tedesco et al.	D6/501
D410,151 S	*	5/1999	Chu	D6/366

D413,215 S	*	8/1999	Mei	D6/501
D424,846 S	*	5/2000	Ho	D6/501
6,264,277 B1	*	7/2001	Lay	297/411.2

OTHER PUBLICATIONS

Delta Catalog, p. 21, Armrest members shown.*

* cited by examiner

Primary Examiner—Gary D. Watson

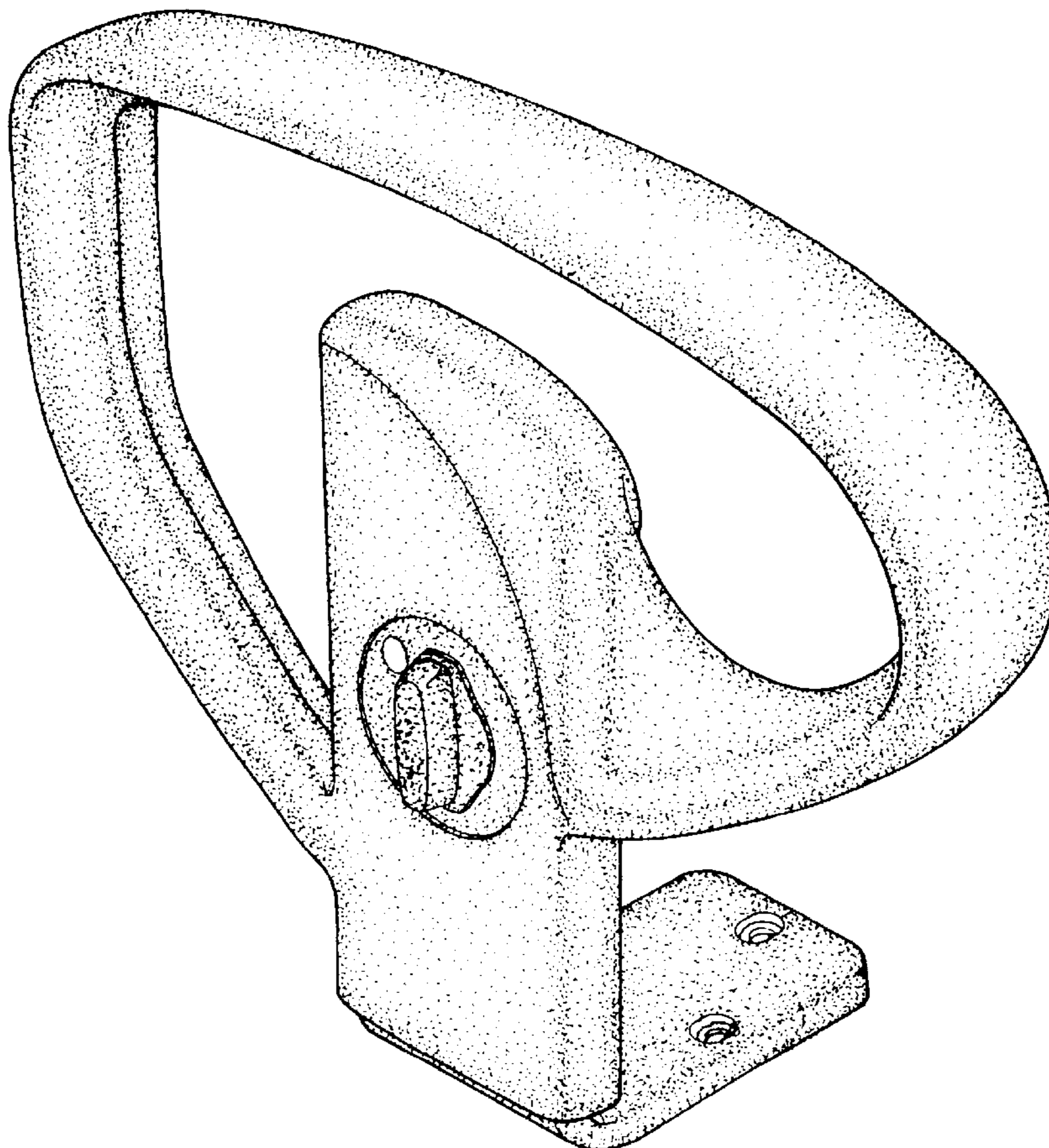
(57) **CLAIM**

The ornamental design for a chair armrest, as shown and described.

DESCRIPTION

FIG. 1 is a perspective view of a chair armrest showing my new design;
 FIG. 2 is a front elevational view thereof;
 FIG. 3 is a rear elevational view thereof;
 FIG. 4 is a left side elevational view thereof;
 FIG. 5 is a right side elevational view thereof;
 FIG. 6 is a top plan view thereof; and,
 FIG. 7 is a bottom plan view thereof.

1 Claim, 6 Drawing Sheets



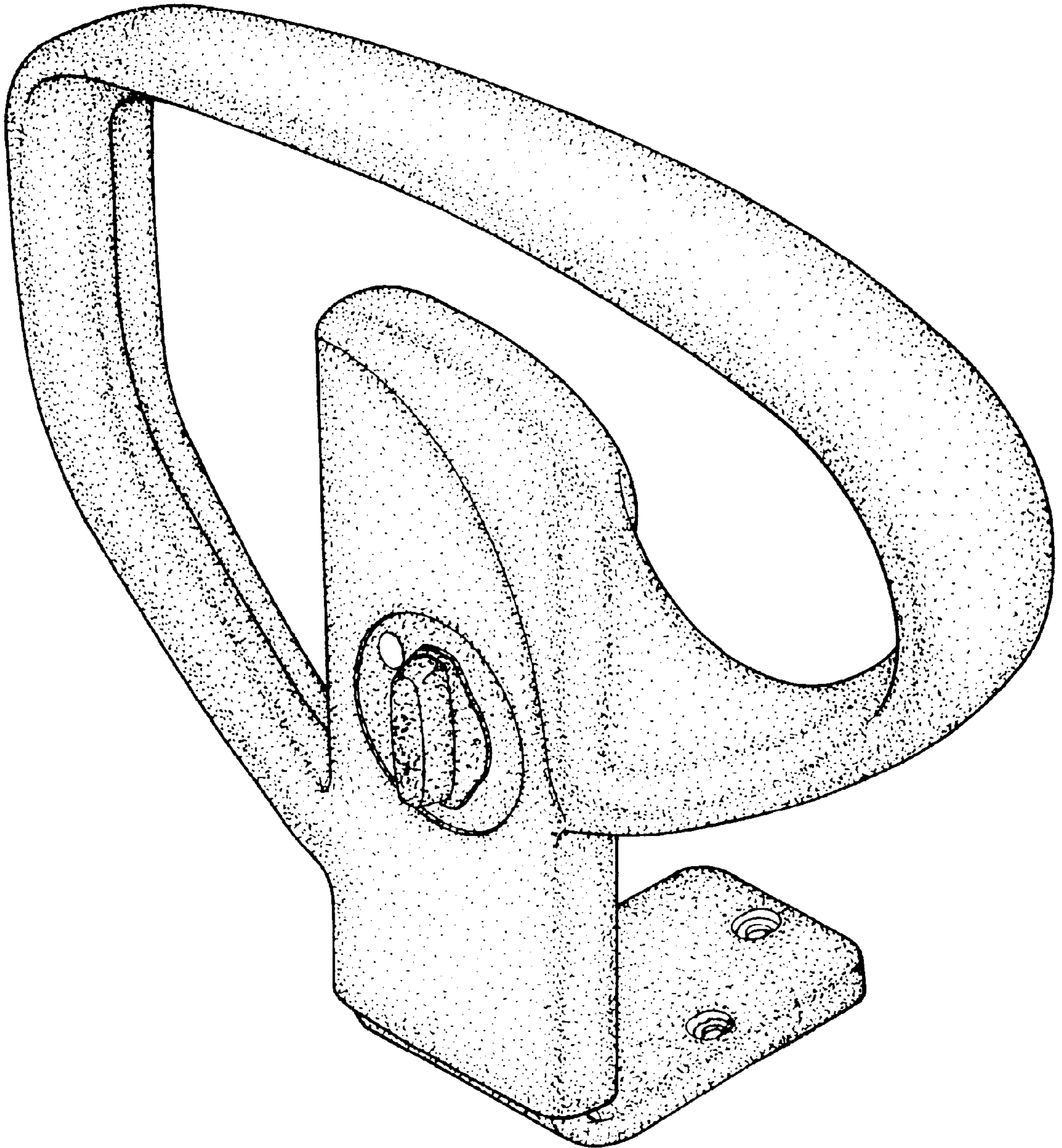


FIG. 1

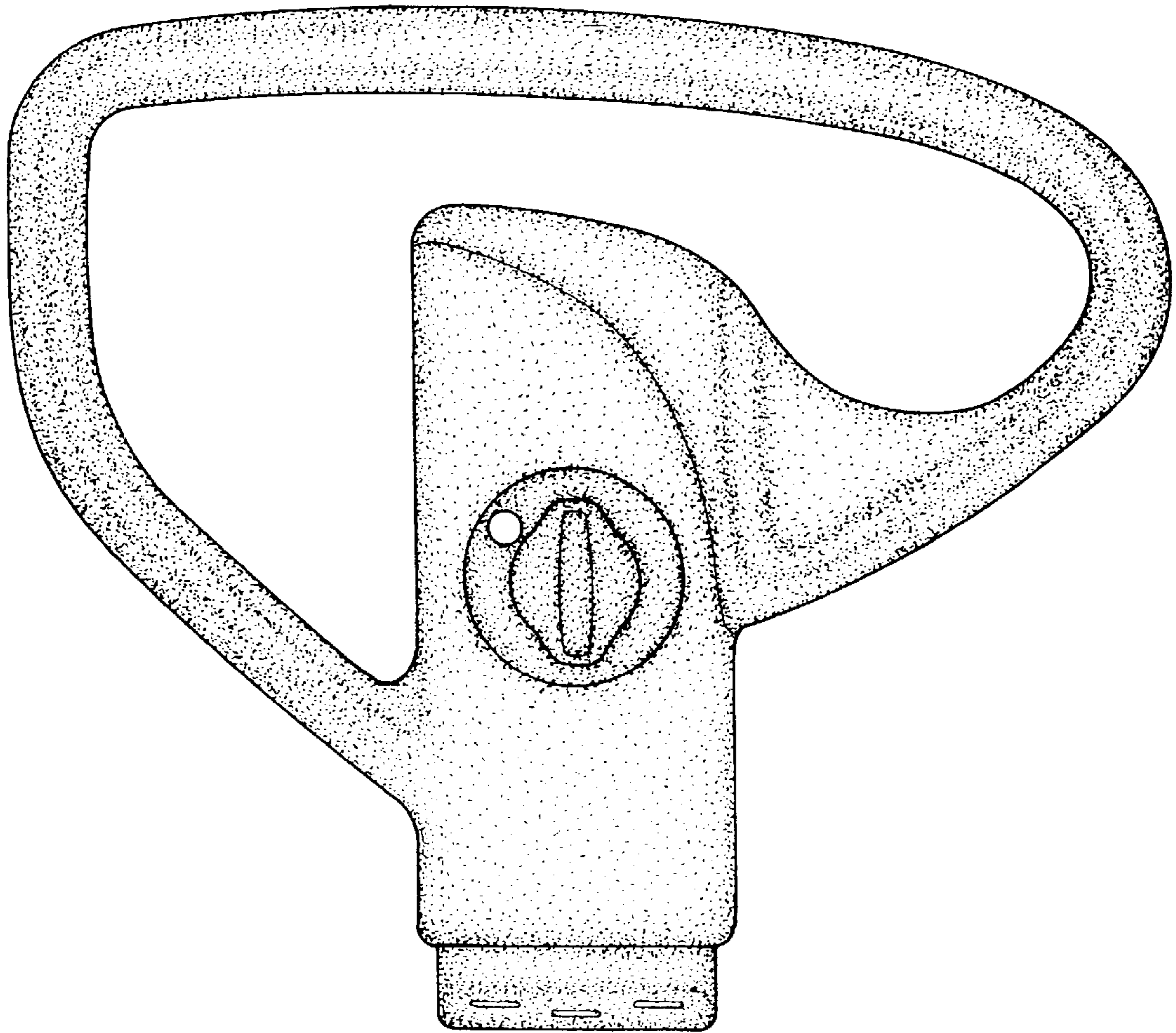


FIG. 2

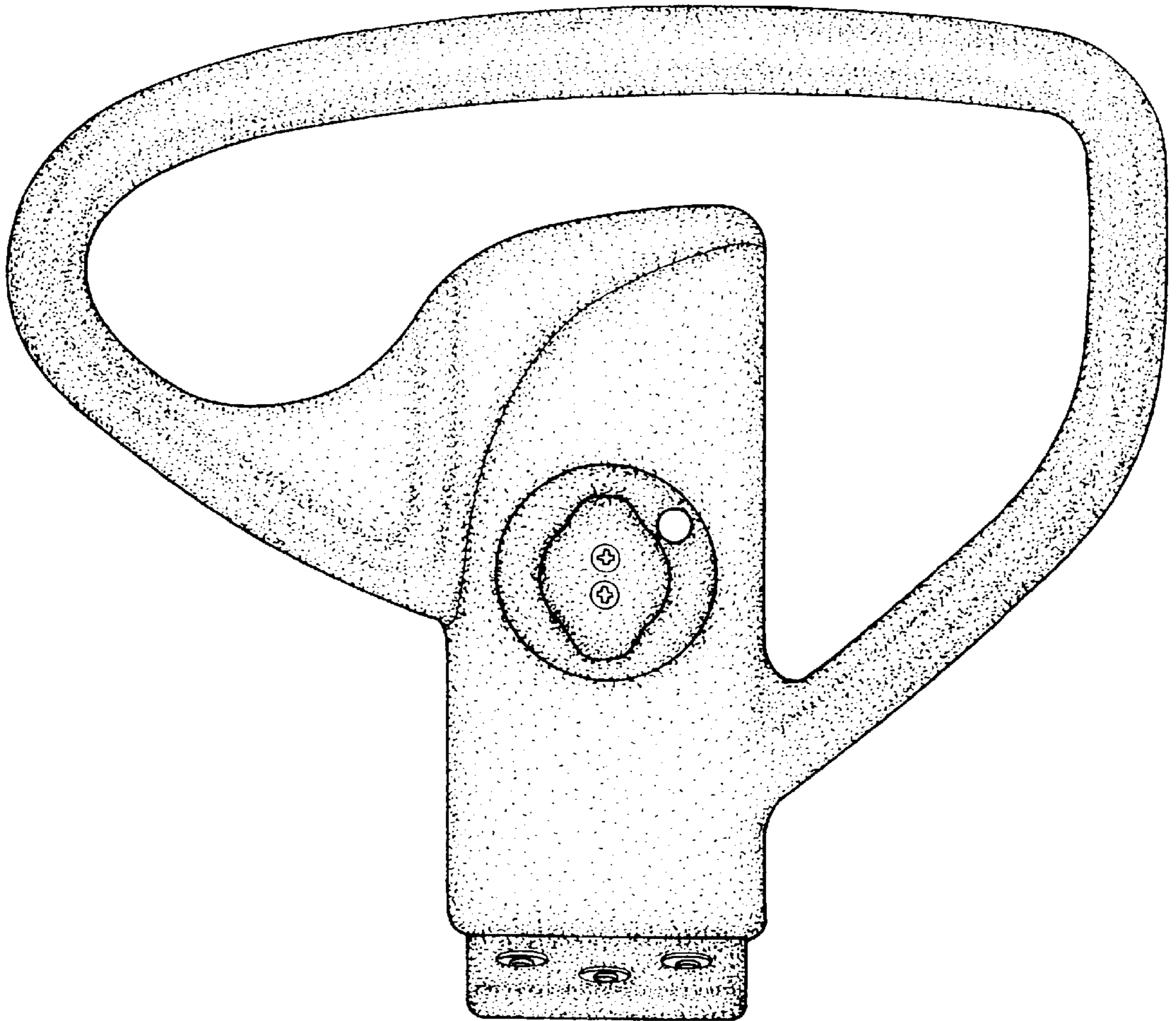


FIG. 3

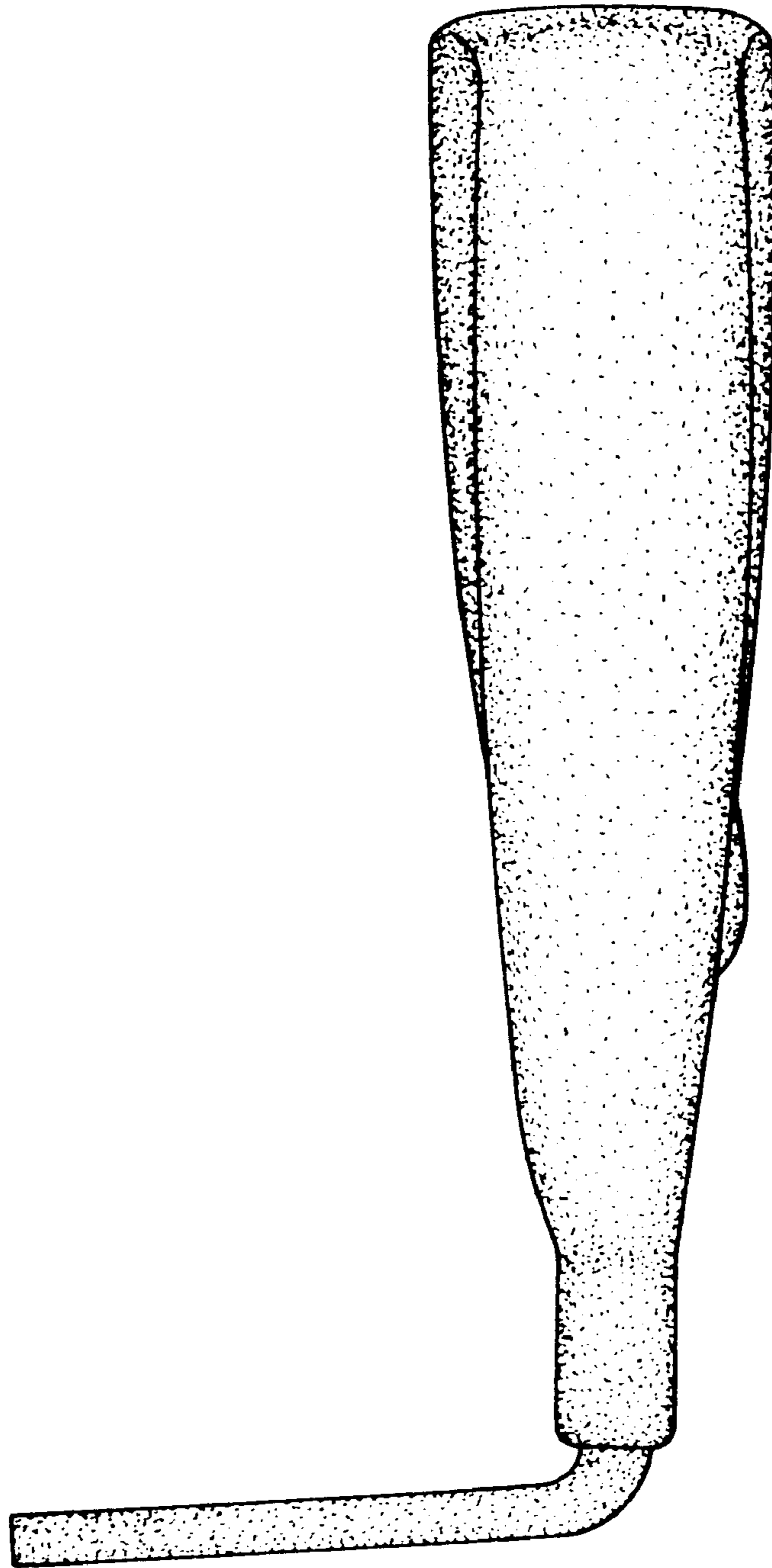


FIG. 4

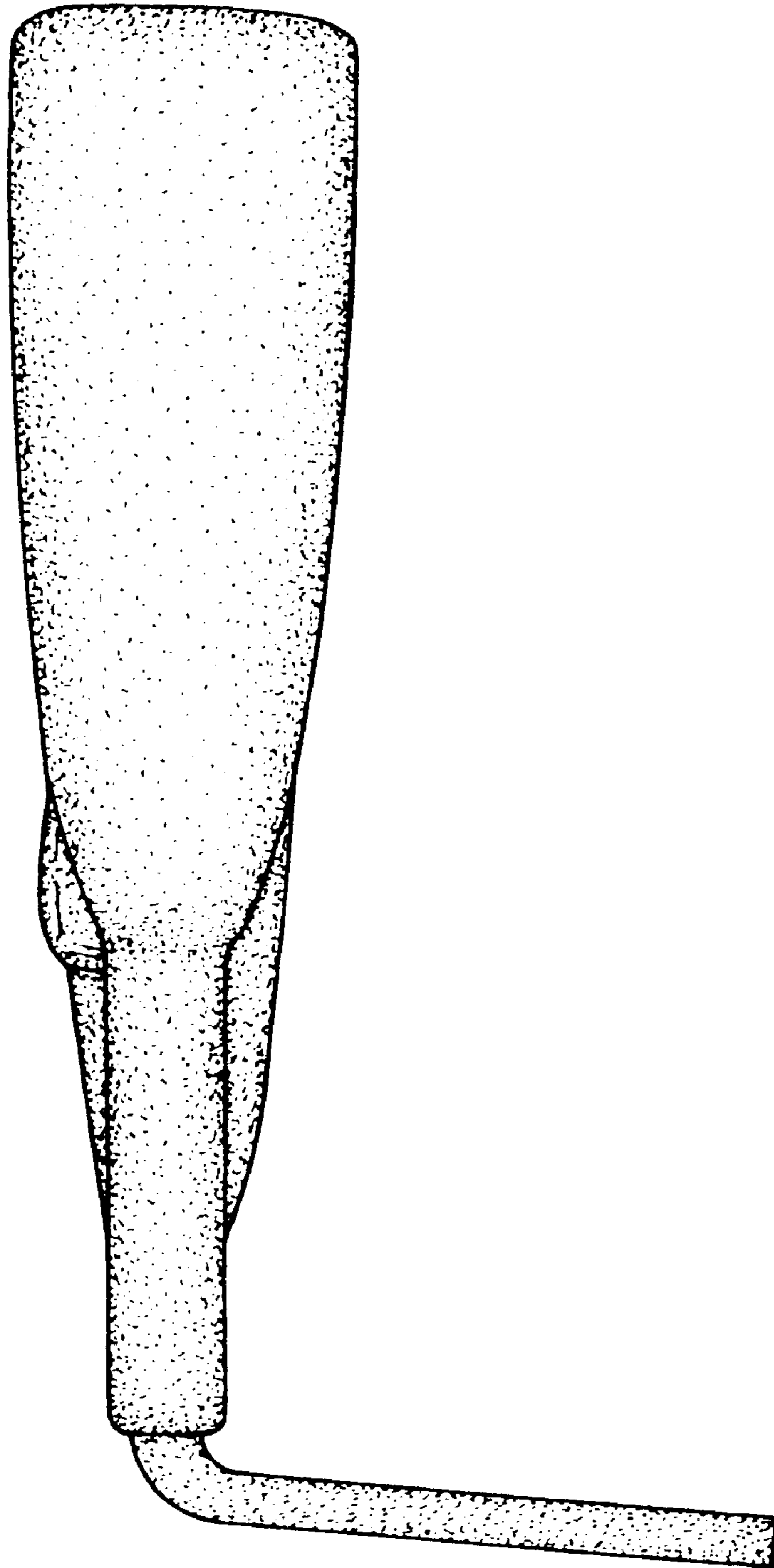


FIG. 5

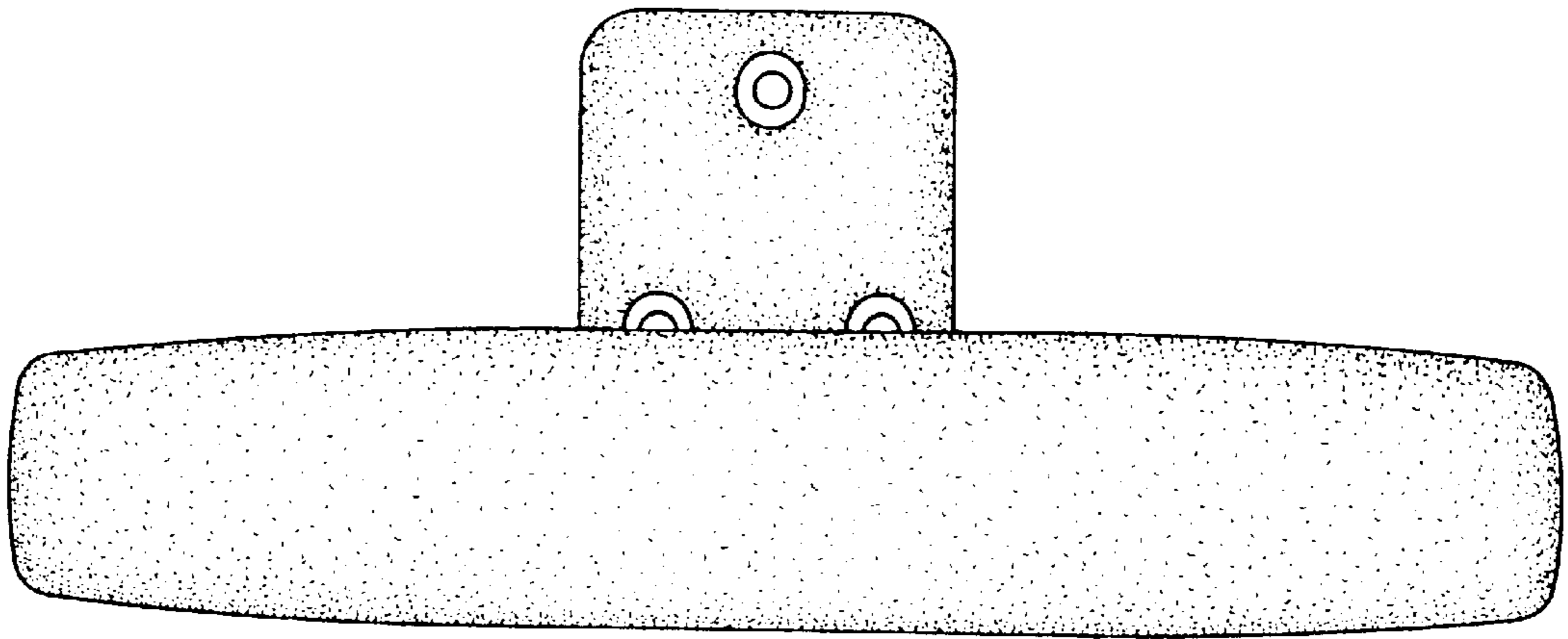


FIG. 6

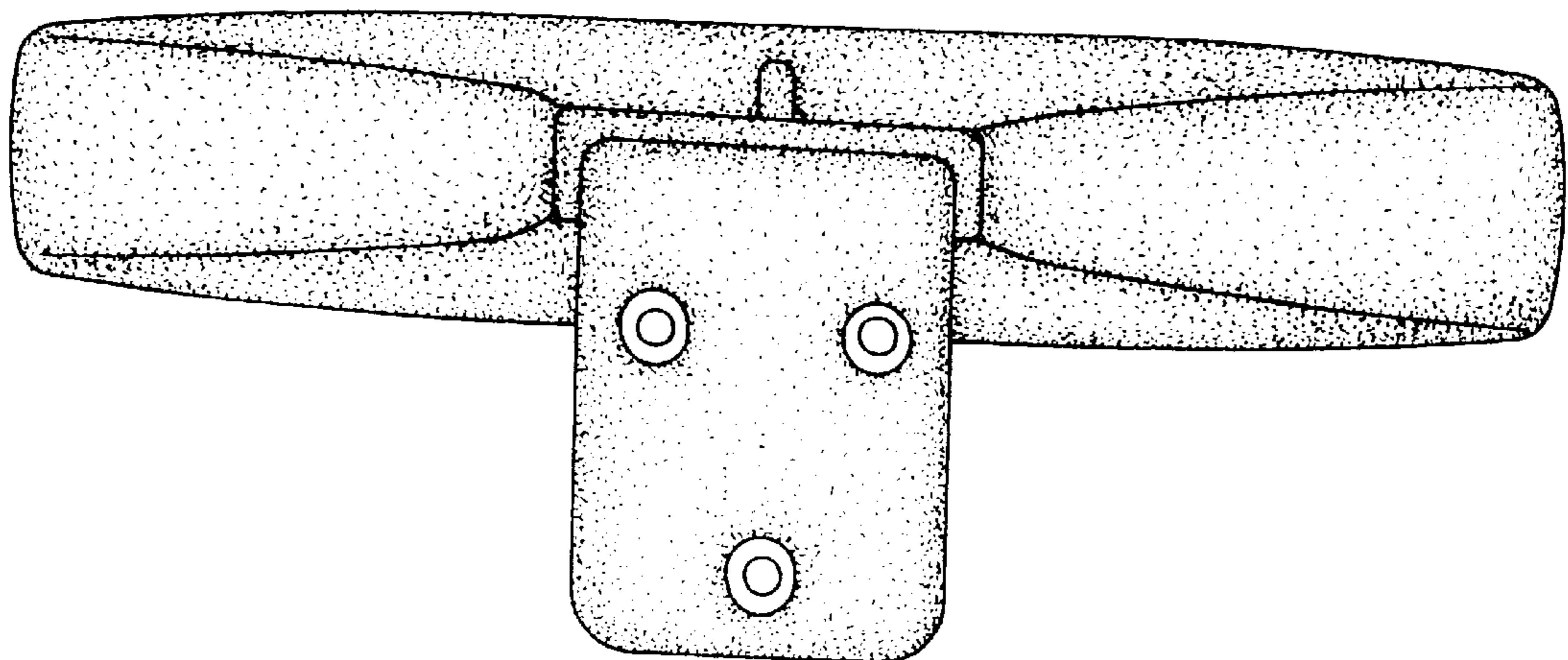


FIG. 7