



US00D459917S

(12) **United States Design Patent**  
**Hankins et al.**

(10) **Patent No.:** **US D459,917 S**

(45) **Date of Patent:** **\*\* Jul. 9, 2002**

(54) **CHAIR BASE**

D406,971 S \* 3/1999 McDiarmid ..... D6/495

(75) Inventors: **Doug Hankins**, Tupelo; **George Dix**,  
Oxford; **Greg Roy**, Belden, all of MS  
(US)

(73) Assignee: **Action Industries, Inc.**, Tupelo, MS  
(US)

(\*\*) Term: **14 Years**

(21) Appl. No.: **29/126,764**

(22) Filed: **Jul. 25, 2000**

(51) **LOC (7) Cl.** ..... **06-01**

(52) **U.S. Cl.** ..... **D6/495**

(58) **Field of Search** ..... D6/334, 344, 349,  
D6/364, 365, 367, 495, 499, 500, 501,  
502; 248/188, 188.1, 346.01; 297/411.4,  
423.1, 423.39, 423.41, 451.5, 461, 462

(56) **References Cited**

**U.S. PATENT DOCUMENTS**

D364,283 S \* 11/1995 Zaidman ..... D6/367  
D384,228 S \* 9/1997 Desnoyers ..... D6/500

**OTHER PUBLICATIONS**

Interiors, Base of Chair, Jul. 1972, p. 87, bottom left corner  
of page.\*

\* cited by examiner

*Primary Examiner*—Doris V. Coles

*Assistant Examiner*—Elizabeth A. Albert

(74) *Attorney, Agent, or Firm*—Pillsbury Winthrop LLP

(57) **CLAIM**

The ornamental design for a chair base, as shown and  
described.

**DESCRIPTION**

FIG. 1 is a top plan view of a chair base showing my new  
design;

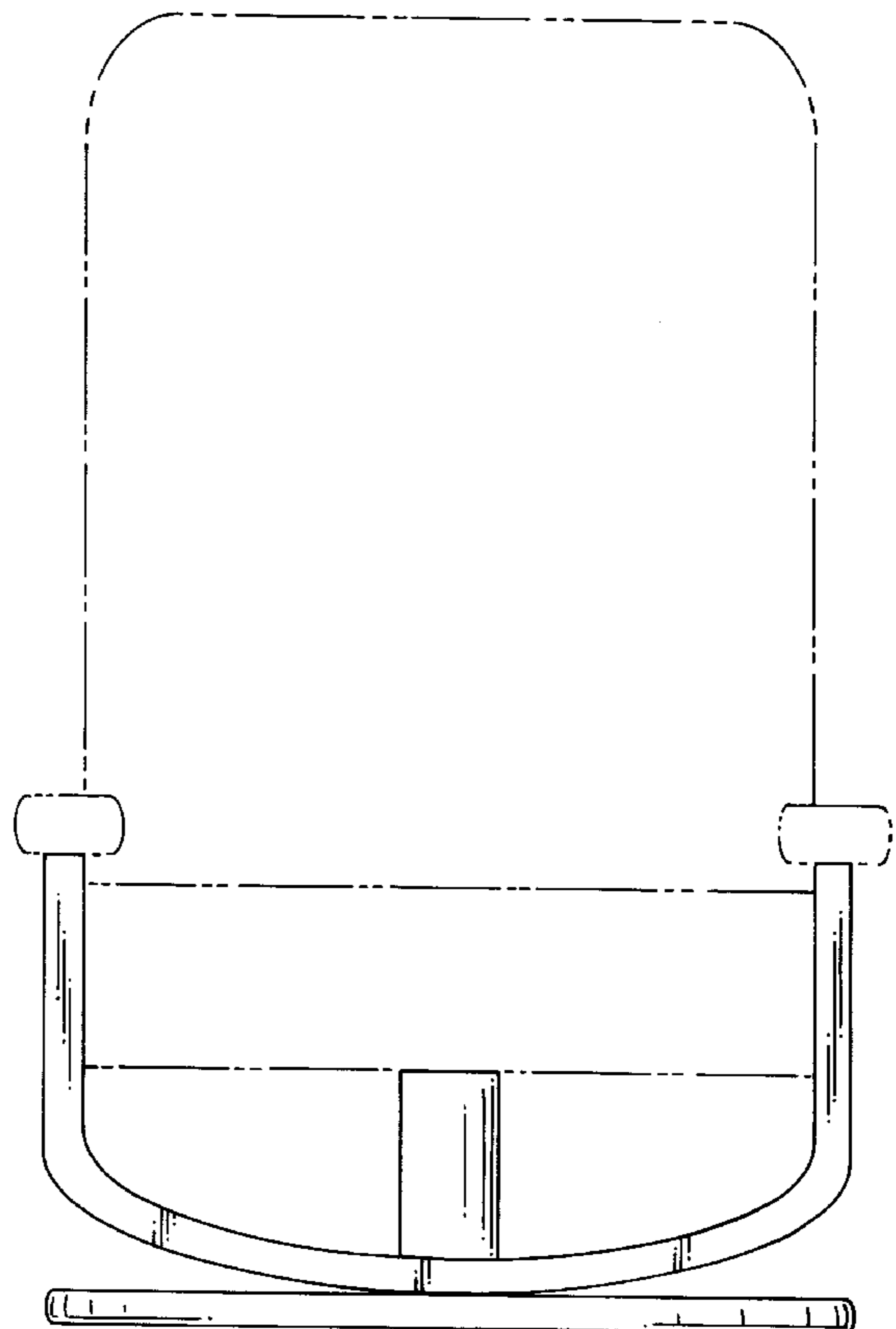
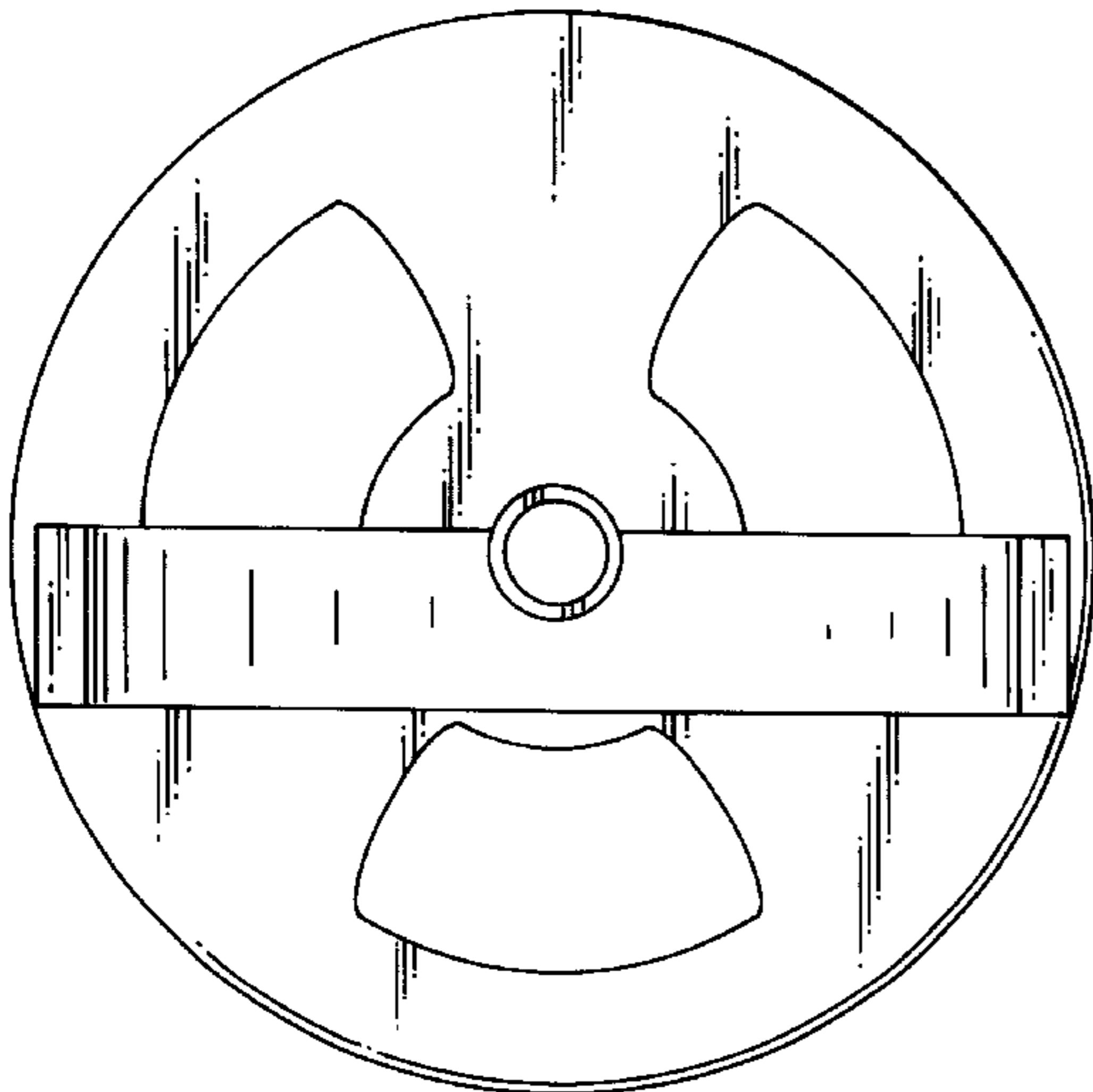
FIG. 2 is a bottom plan view thereof;

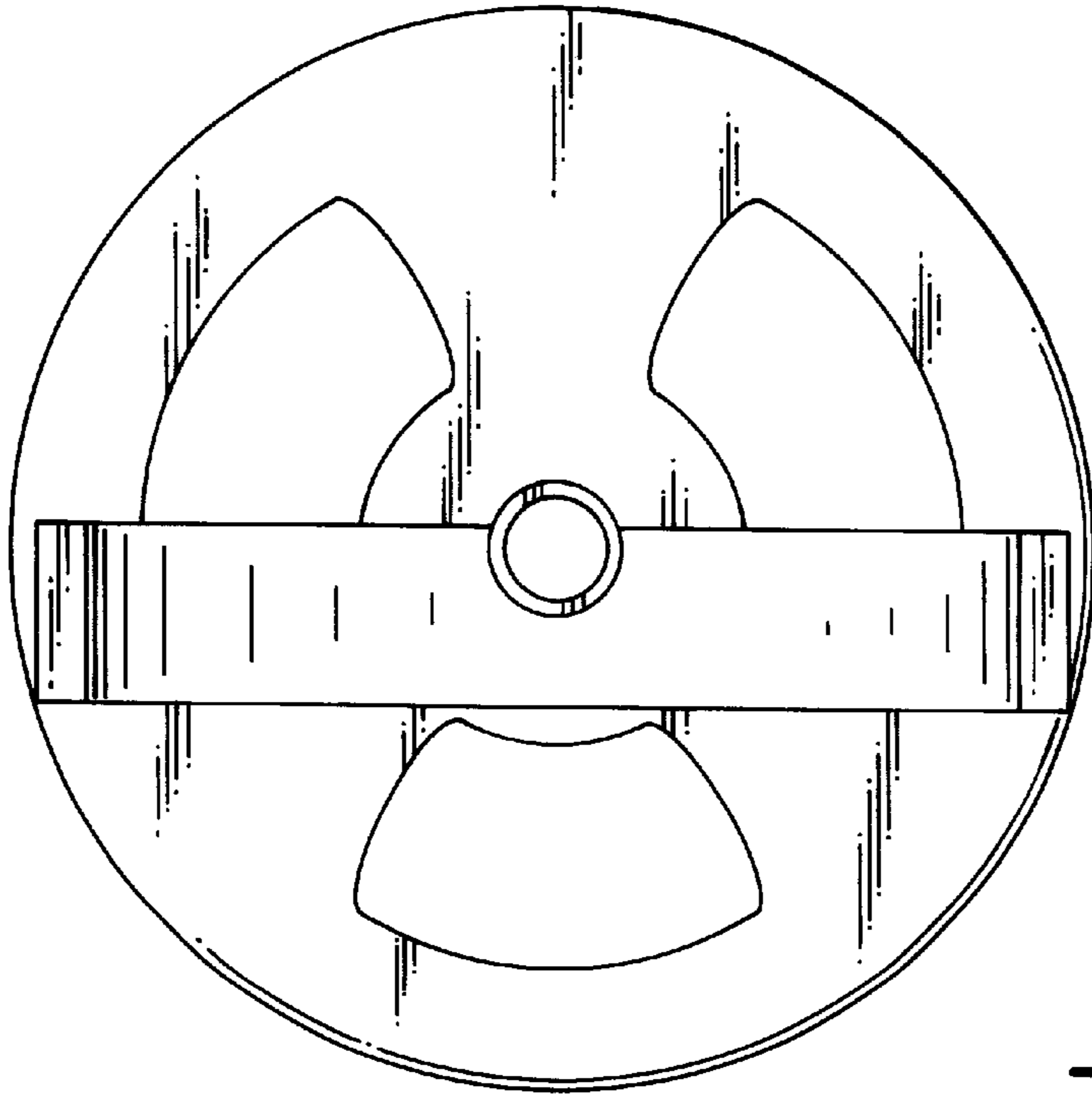
FIG. 3 is a front elevational view thereof;

FIG. 4 is a rear elevational view thereof; and,

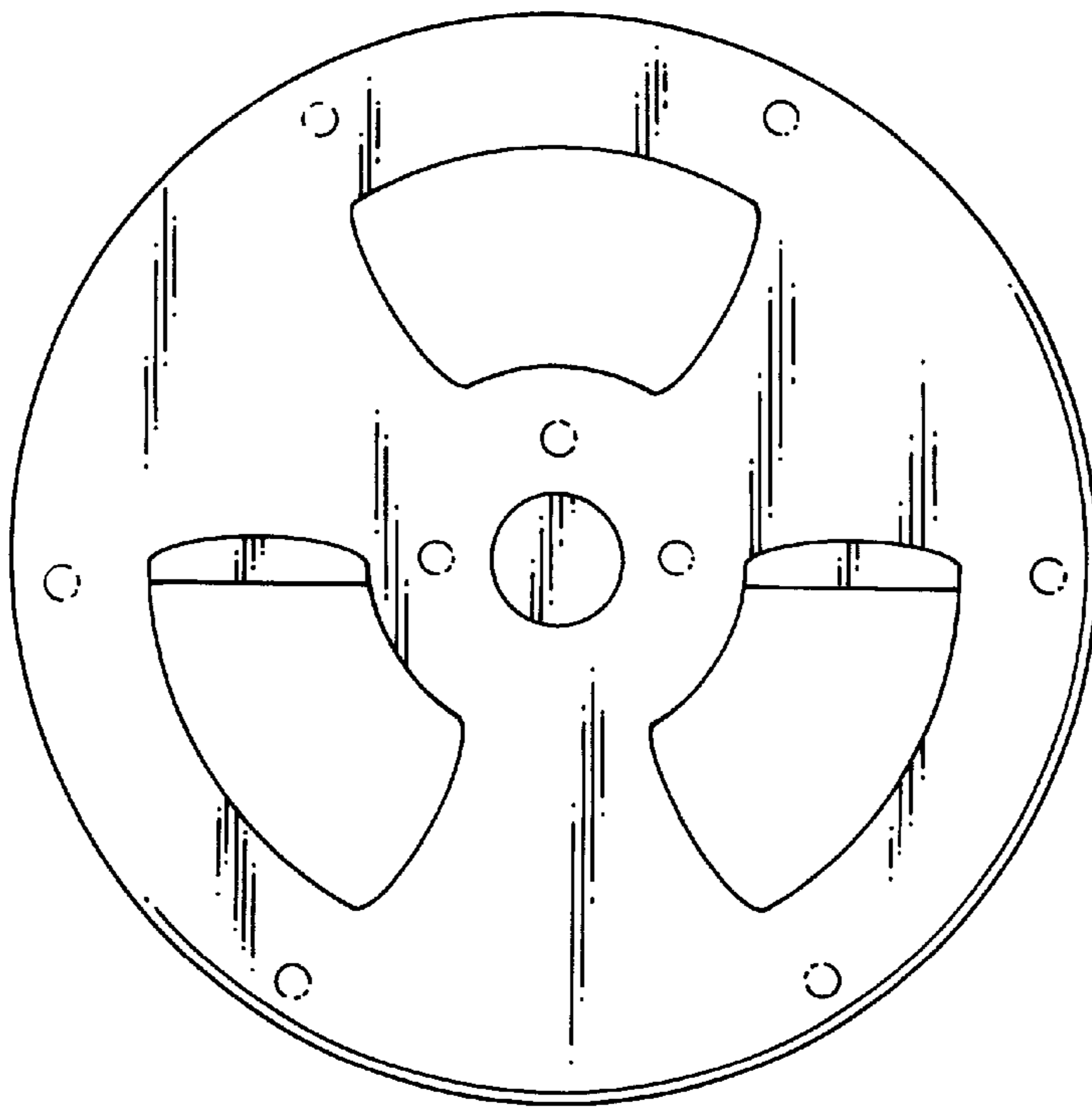
FIG. 5 is a side elevational view thereof, with the other side  
elevational view being a mirror image.

**1 Claim, 4 Drawing Sheets**





**FIG. 1**



**FIG. 2**

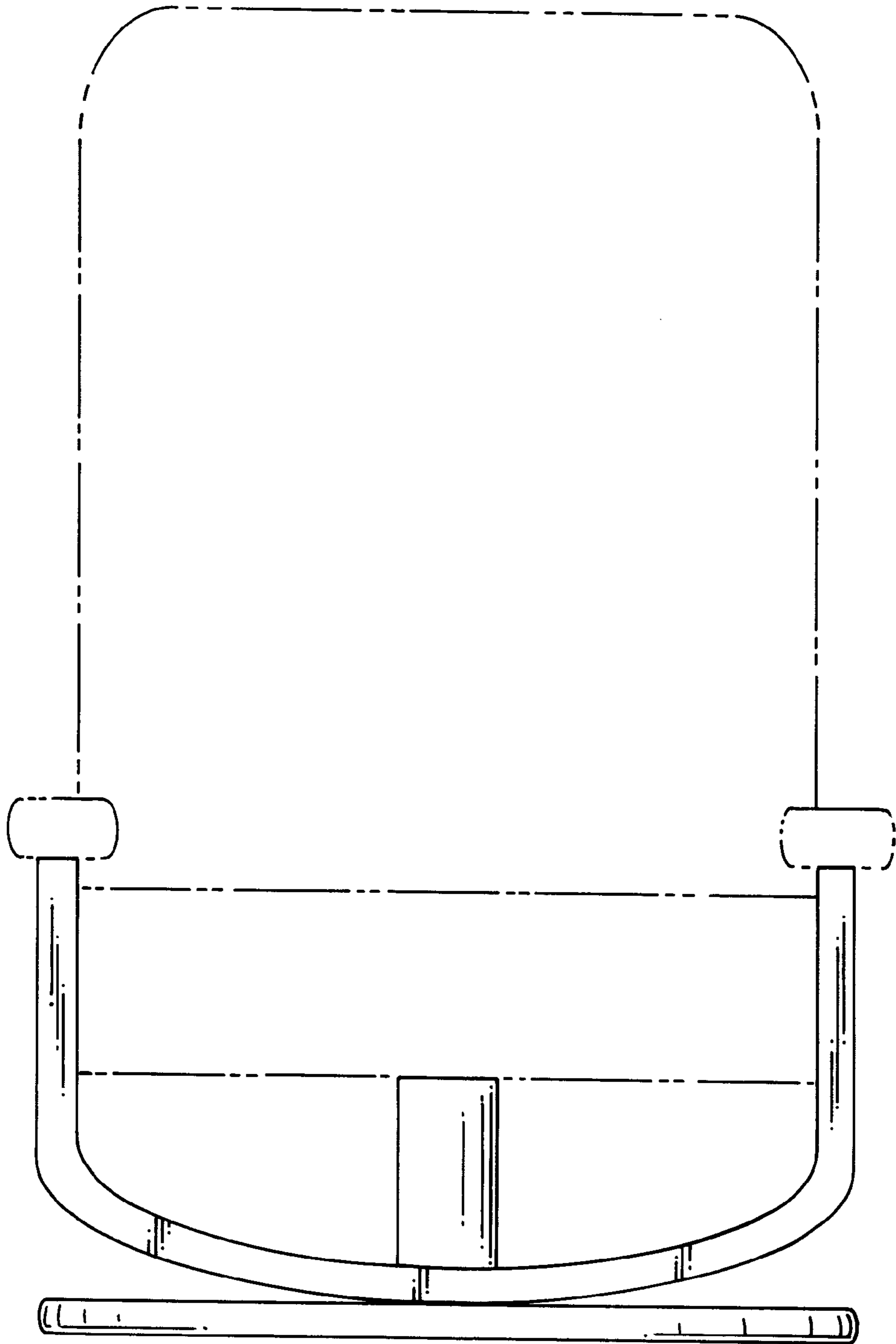
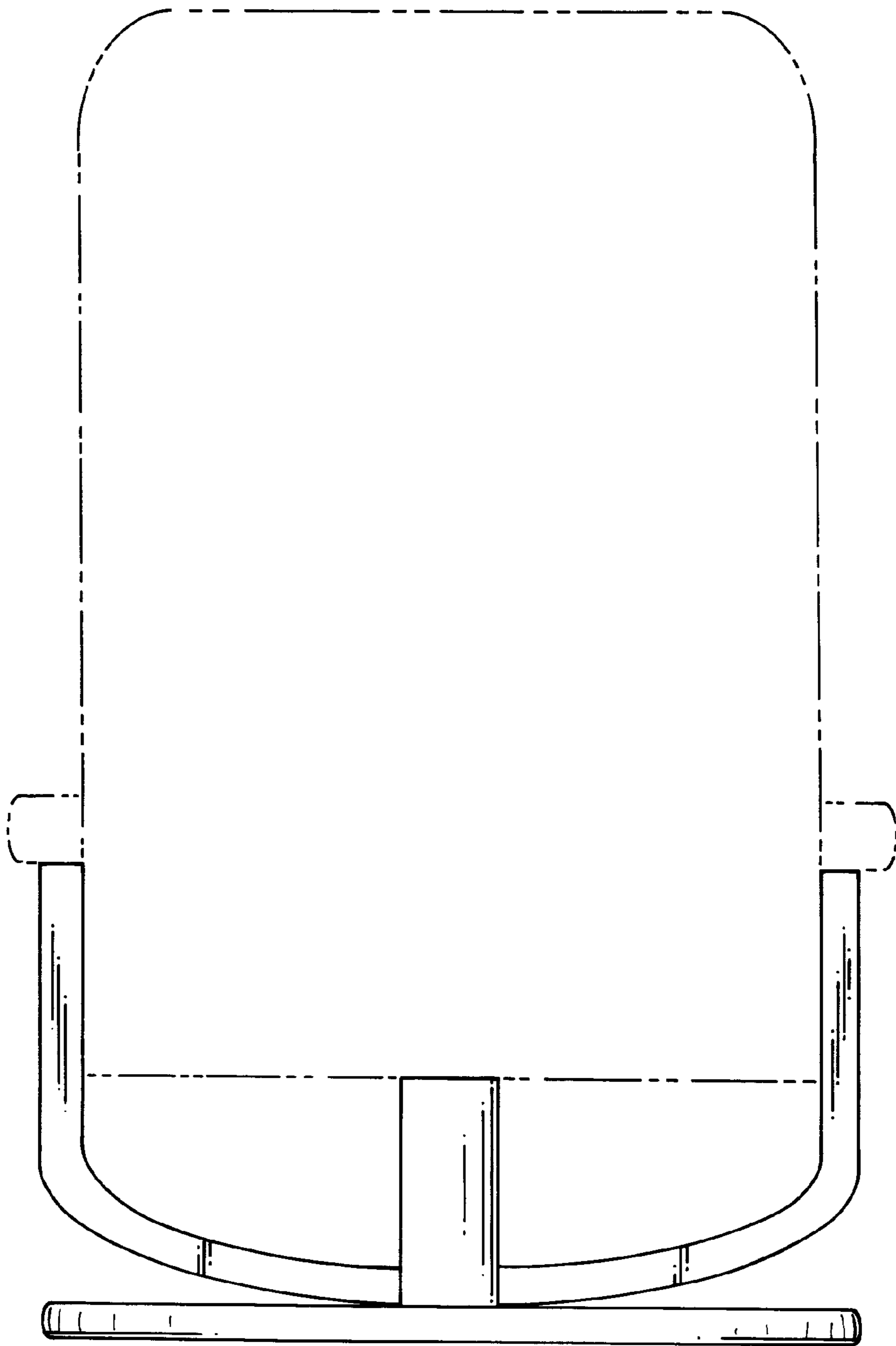


FIG. 3



**FIG. 4**

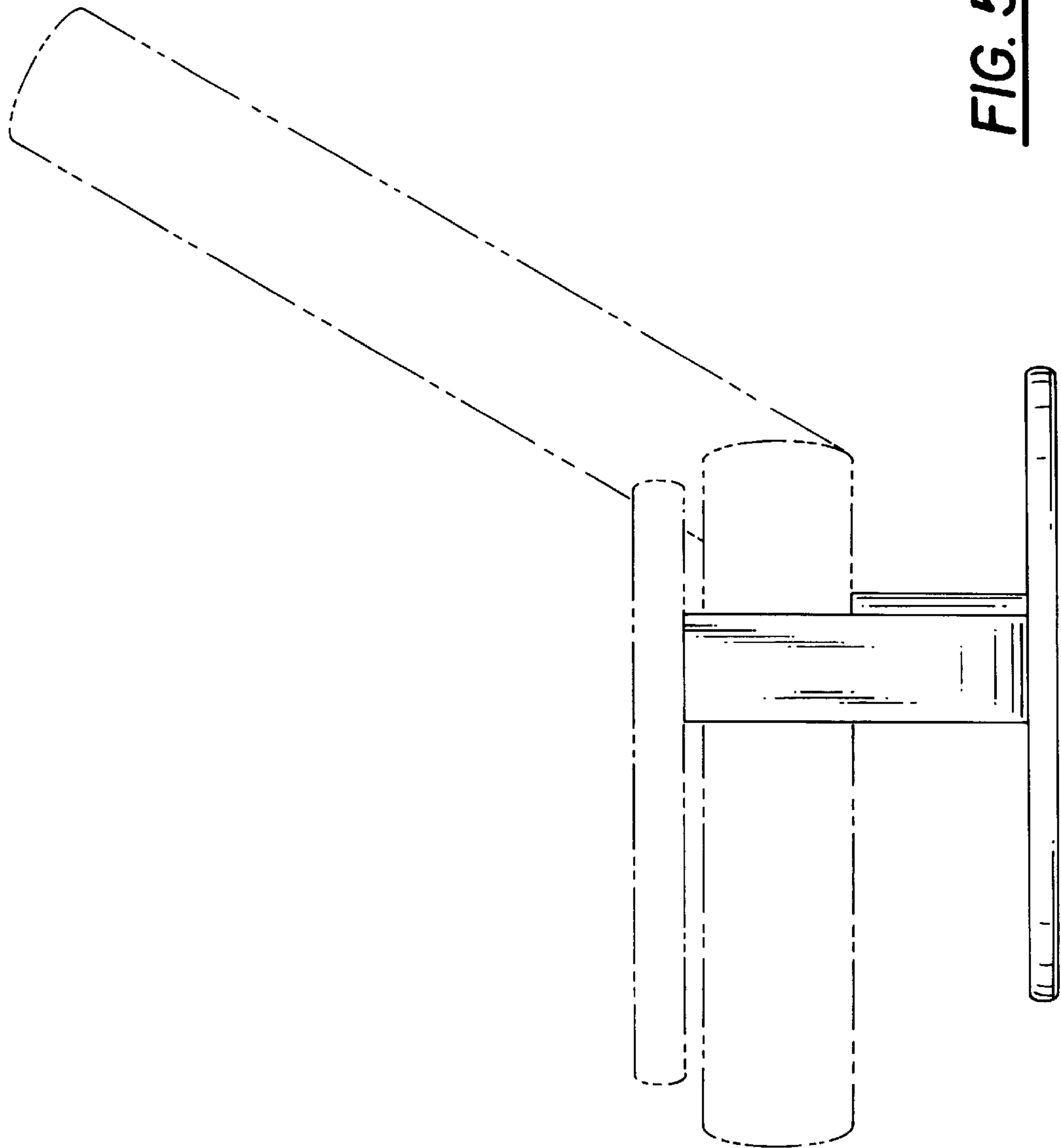


FIG. 5