



US00D459912S

(12) **United States Design Patent**
Cain

(10) **Patent No.:** **US D459,912 S**

(45) **Date of Patent:** **** Jul. 9, 2002**

(54) **TABLE**

(75) Inventor: **Charles C. Cain**, High Point, NC (US)

(73) Assignee: **Thomasville Furniture Industries, Inc.**, Thomasville, NC (US)

(**) Term: **14 Years**

(21) Appl. No.: **29/145,781**

(22) Filed: **Jul. 27, 2001**

(51) **LOC (7) Cl.** **06-04**

(52) **U.S. Cl.** **D6/446; D6/480**

(58) **Field of Search** D6/432-448; 312/204,
312/224, 237, 278, 279

(56) **References Cited**

U.S. PATENT DOCUMENTS

- D429,915 S * 8/2000 Hazen et al. D6/432
- D440,791 S * 4/2001 Cain D6/446
- D451,700 S * 12/2001 Vaaler D6/445

OTHER PUBLICATIONS

Furniture Today, Hammary Cocktail Table, Oct. 11, 1999, p. 196.*

Hideaway Table No. 421-602, Century "Town and Country" brochure, p. 6, 1998.

Somerset Credenza with Brown Marble Top No. 421-402M, Century "Town and Country" brochure, p. 18, 1998.

Photo of antique table, source and date unknown.

* cited by examiner

Primary Examiner—Cathron C. Brooks

(74) *Attorney, Agent, or Firm*—Womble Carlyle Sandridge & Rice, PLLC

(57) **CLAIM**

The ornamental design for a table, as shown and described.

DESCRIPTION

FIG. 1 is a left front perspective view of a table showing my new design with the leaves in a lowered position;

FIG. 2 is a rear elevational view thereof;

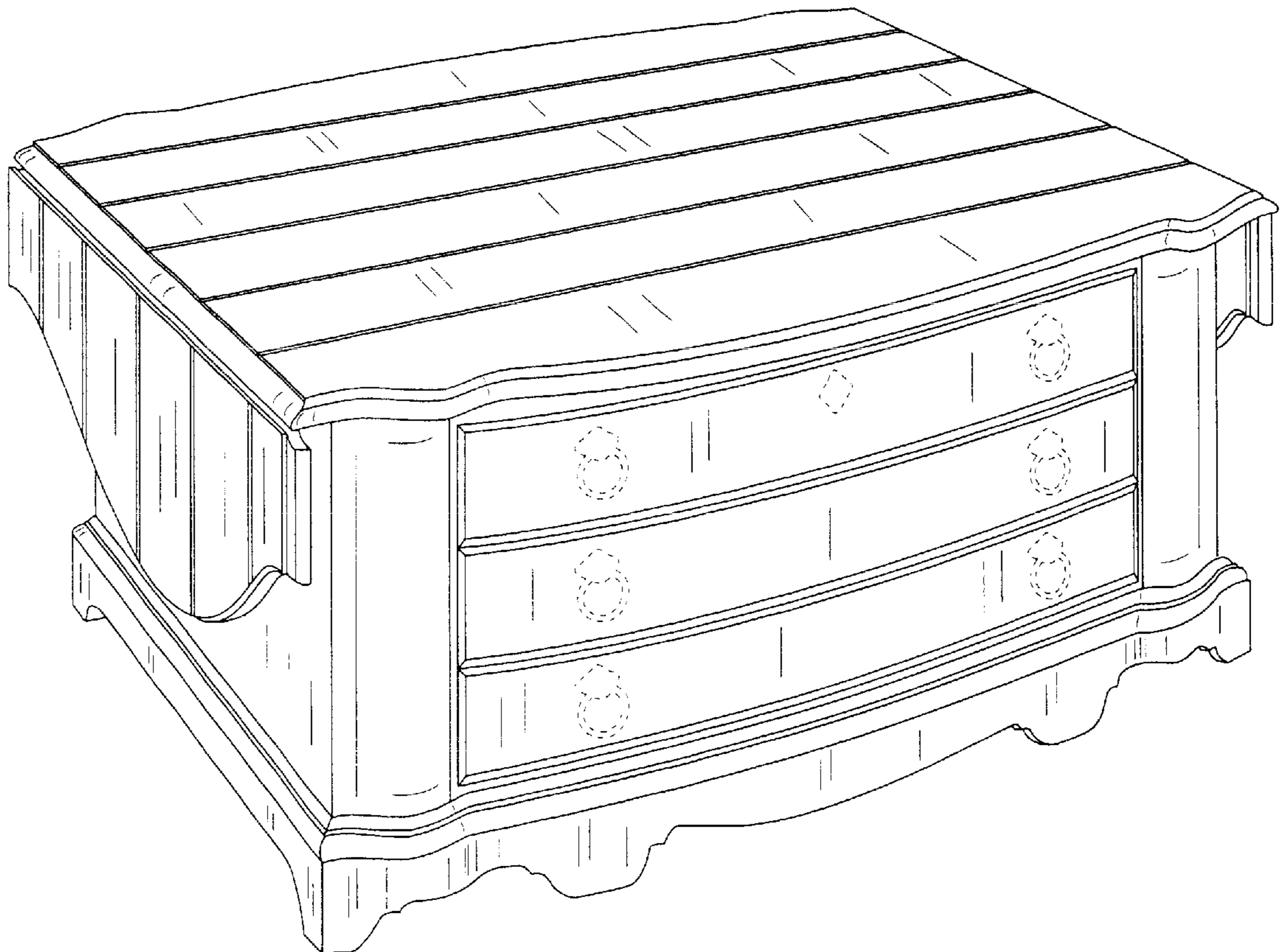
FIG. 3 is a front elevational view thereof;

FIG. 4 is an end elevational view, the opposite end being a mirror image thereof; and,

FIG. 5 is a left front perspective view of my design with the leaves in an alternative raised position.

The dashed lines represent environmental elements only and form no part of the claimed design.

1 Claim, 5 Drawing Sheets



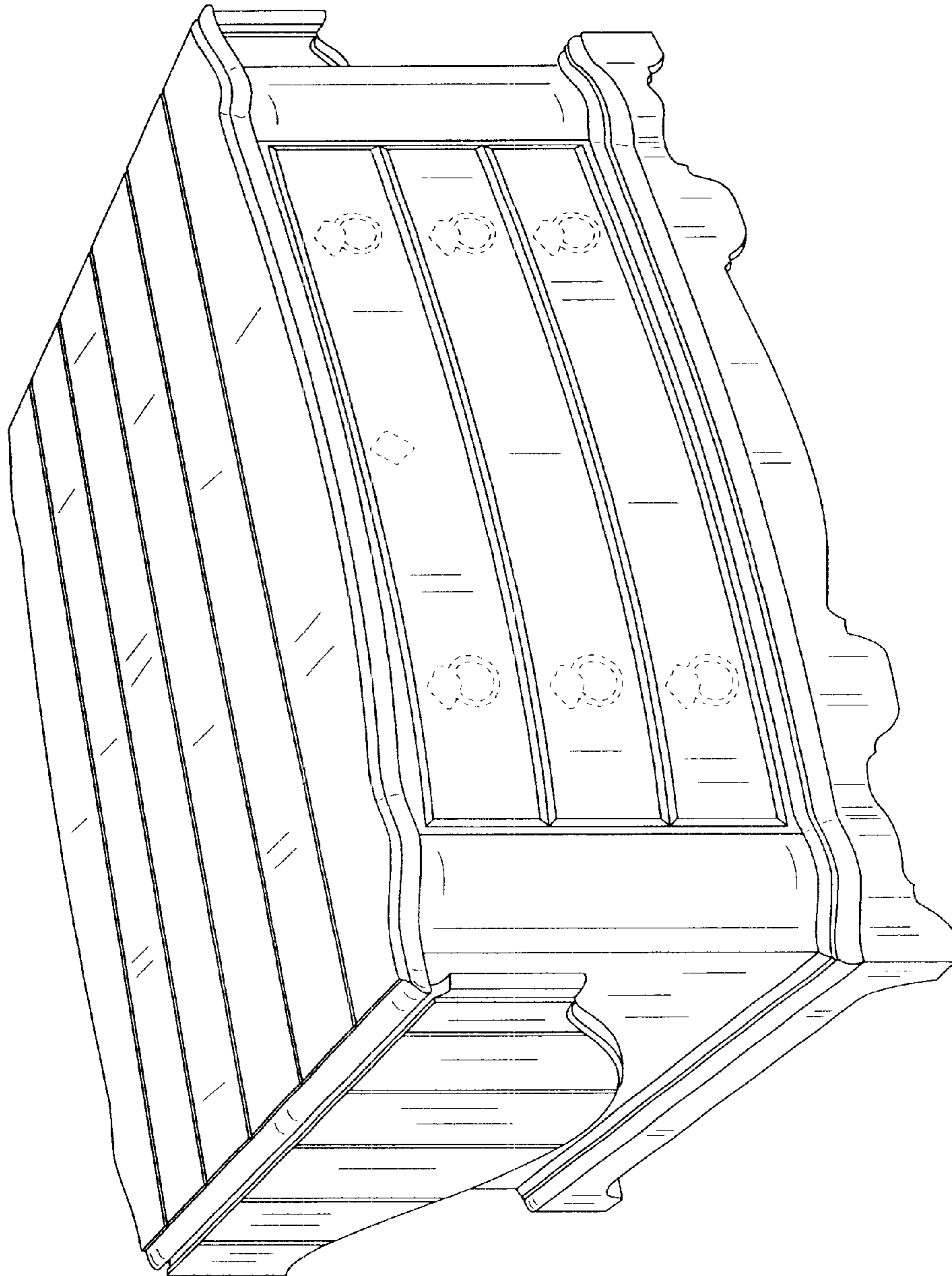


FIG. 1

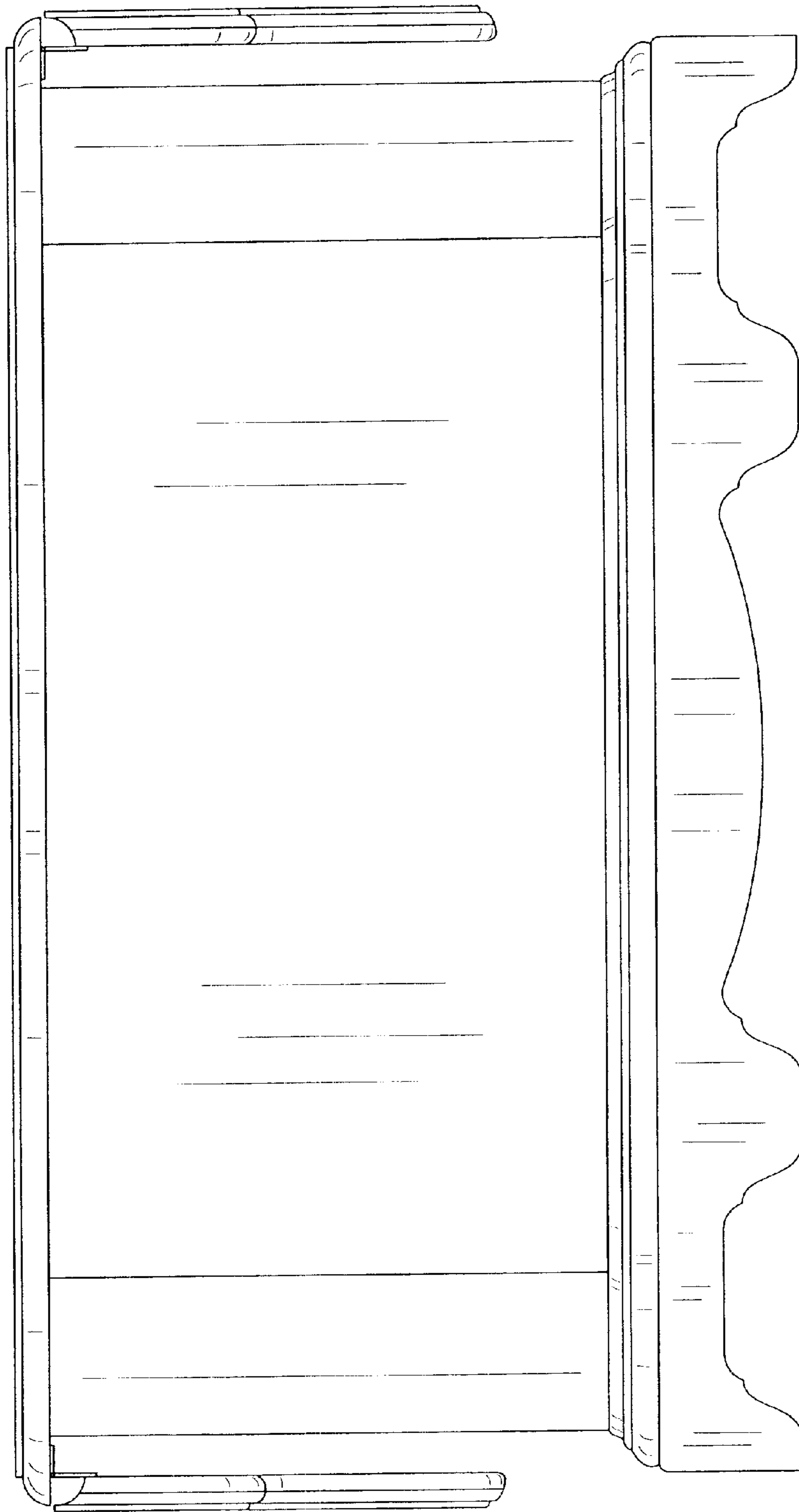


FIG. 2

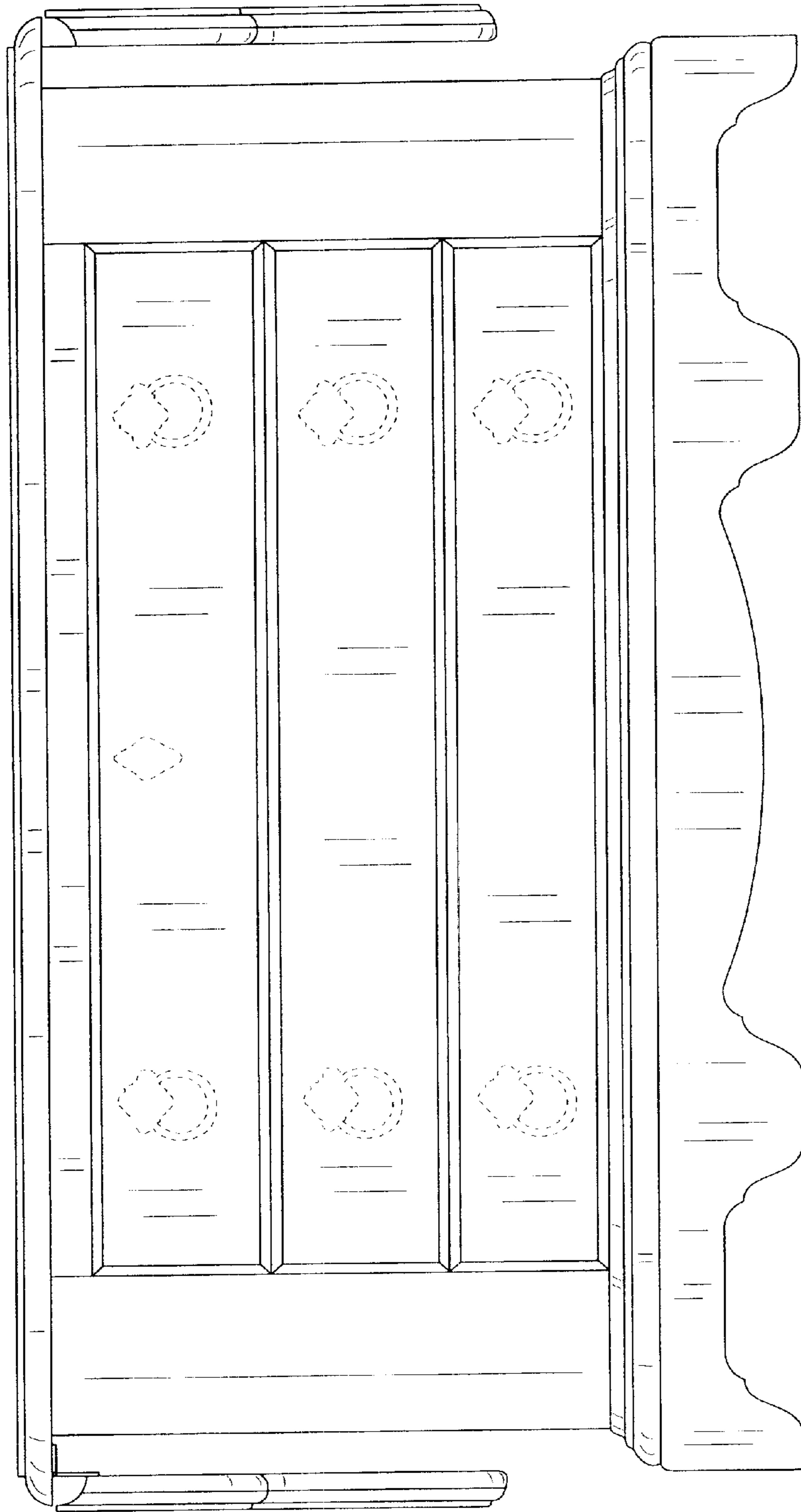


FIG. 3

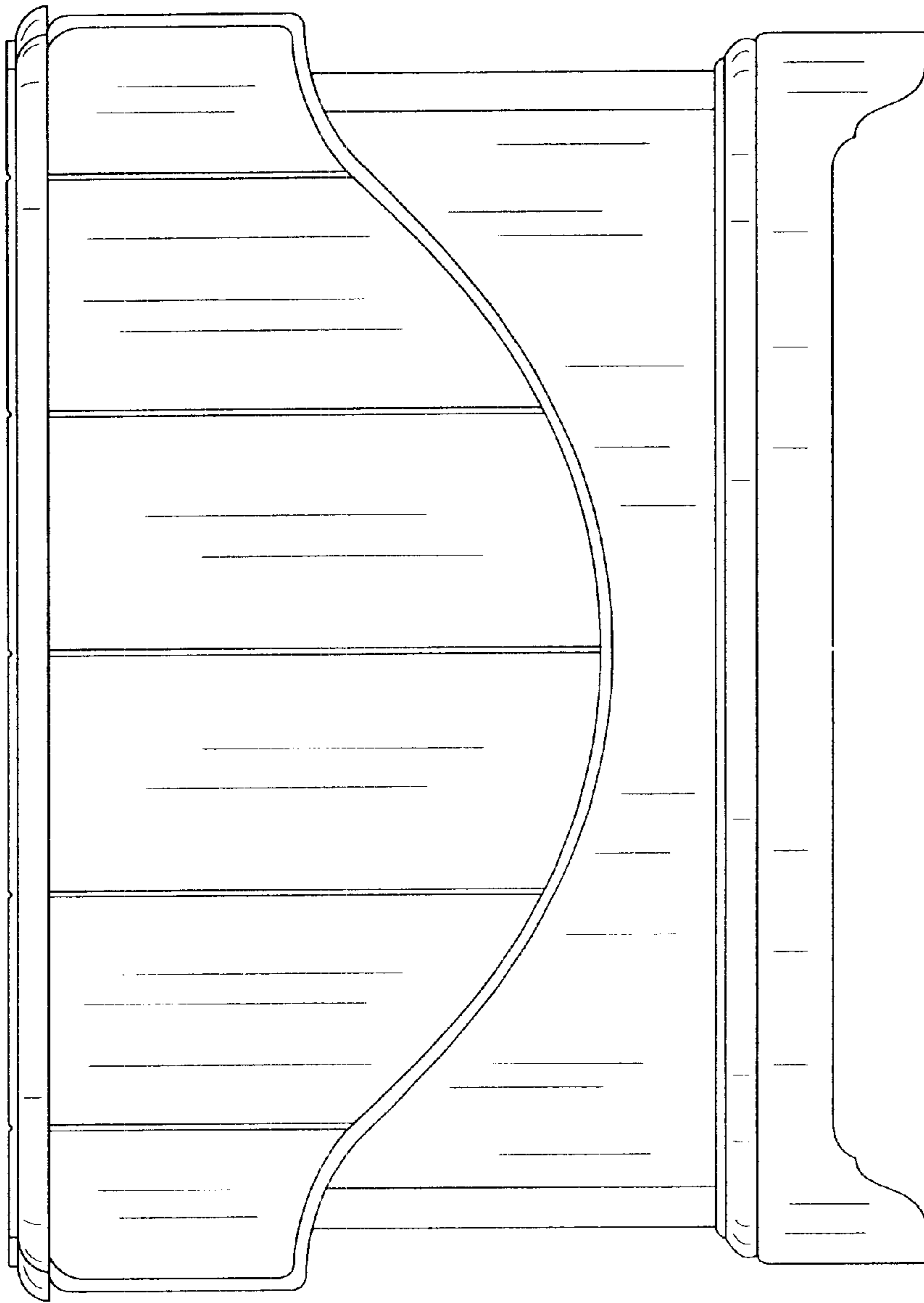


FIG. 4

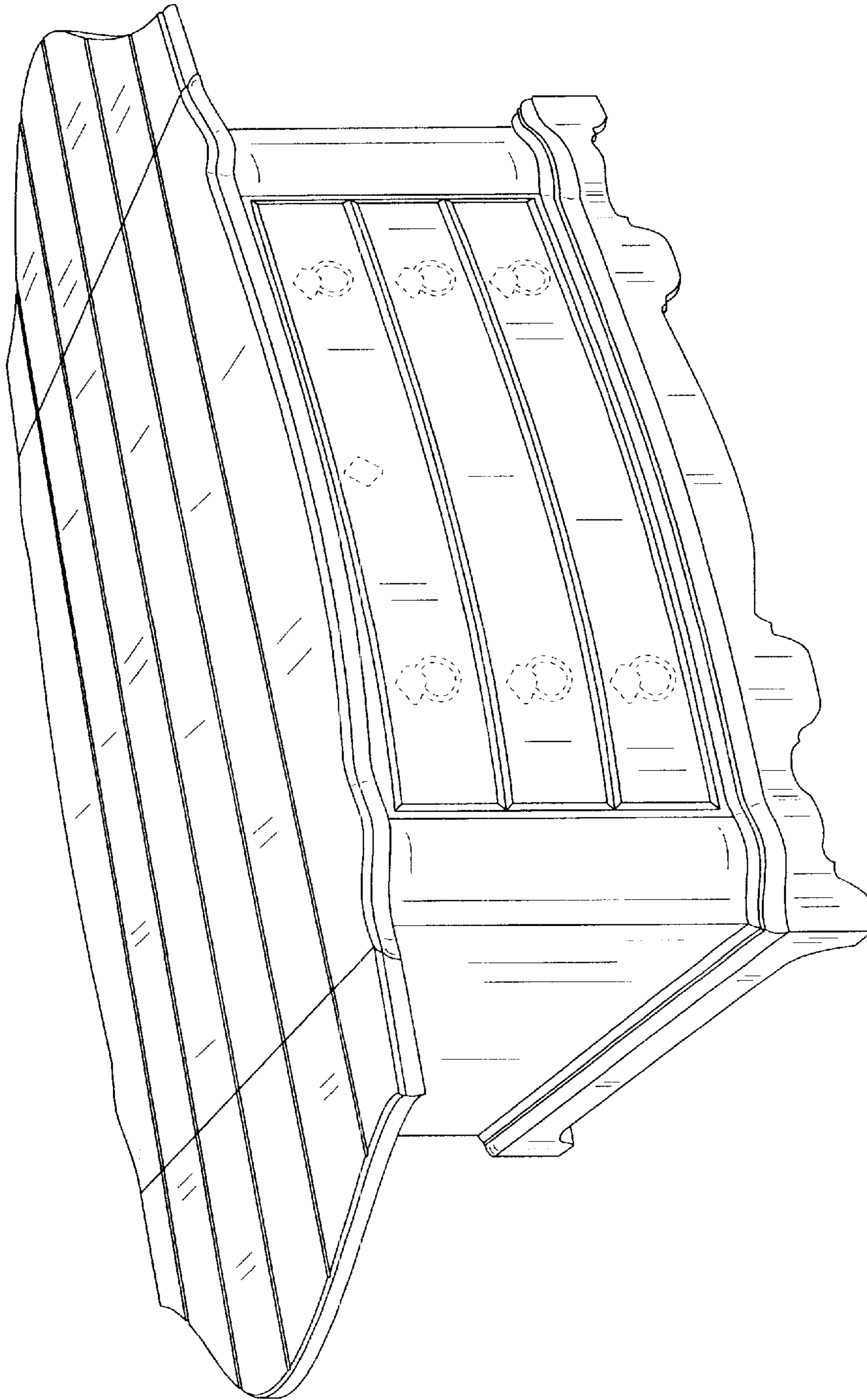


FIG. 5