



US00D459908S

(12) **United States Design Patent**
Sharpton, III

(10) **Patent No.:** **US D459,908 S**

(45) **Date of Patent:** **** Jul. 9, 2002**

(54) **DISPLAY STAND FOR PLANTS**

D367,375 S * 2/1996 Vukelich, Sr. D6/405

(76) **Inventor:** **Charles B. Sharpton, III**, 1939
Variations Dr., Atlanta, GA (US) 30329

* cited by examiner

(**) **Term:** **14 Years**

Primary Examiner—Doris V. Coles
Assistant Examiner—Mimosa De
(74) *Attorney, Agent, or Firm*—Clark & Brody

(21) **Appl. No.:** **29/145,211**

(57) **CLAIM**

(22) **Filed:** **Jul. 19, 2001**

The ornamental design for a display stand for plants, as shown and described.

(51) **LOC (7) Cl.** **06-90**

(52) **U.S. Cl.** **D6/405**

(58) **Field of Search** D6/403, 405, 462-465;
D11/143; 47/39, 40; 211/85.23, 85.31, 106;
248/27.8, 127; 206/423; D7/403, 704

DESCRIPTION

(56) **References Cited**

FIG. 1 is a perspective view of a display stand for plants showing my new design.

FIG. 2 is a left side elevation view thereof. The right side elevation view is a mirror image thereof.

FIG. 3 is a front elevation view thereof. The rear elevation view is identical thereto; and,

FIG. 4 is a top plan view thereof.

U.S. PATENT DOCUMENTS

D99,074 S	*	3/1936	Eastman	D6/464
D178,488 S	*	8/1956	Beh	D6/464
D319,356 S	*	8/1991	Vukelich, Sr.	D6/405
D363,615 S	*	10/1995	Vukelich, Sr.	D6/405

1 Claim, 2 Drawing Sheets

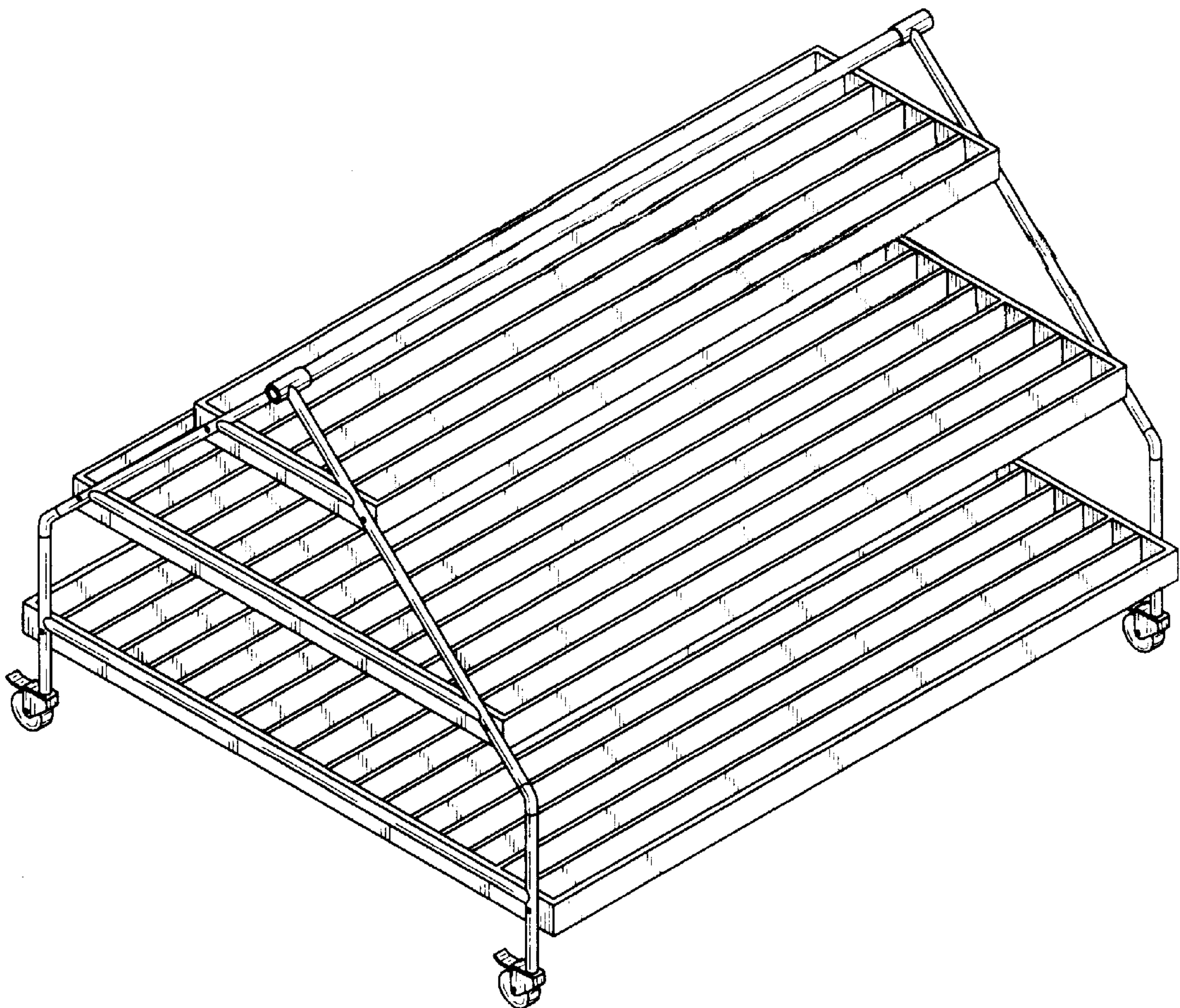


FIG. 1

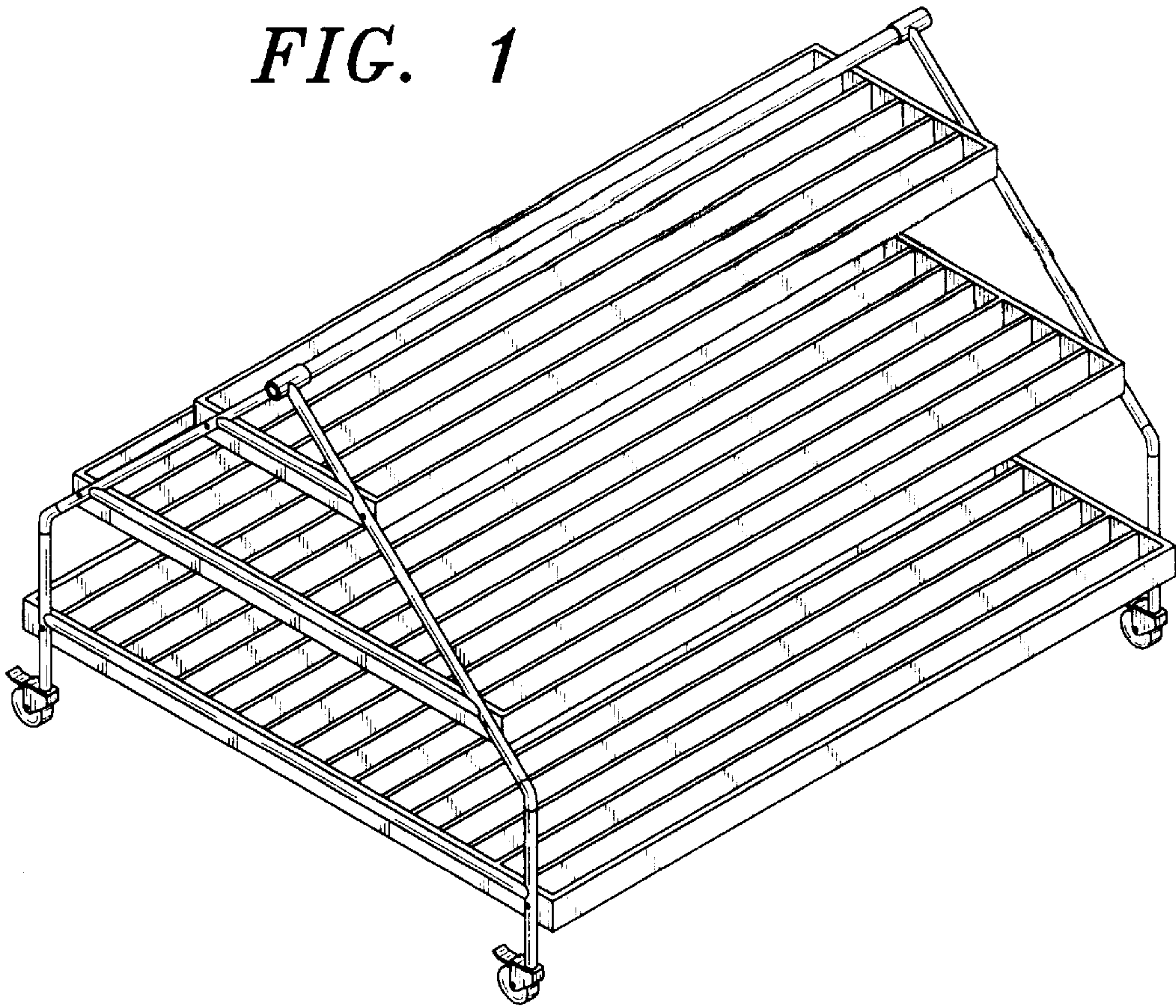


FIG. 2

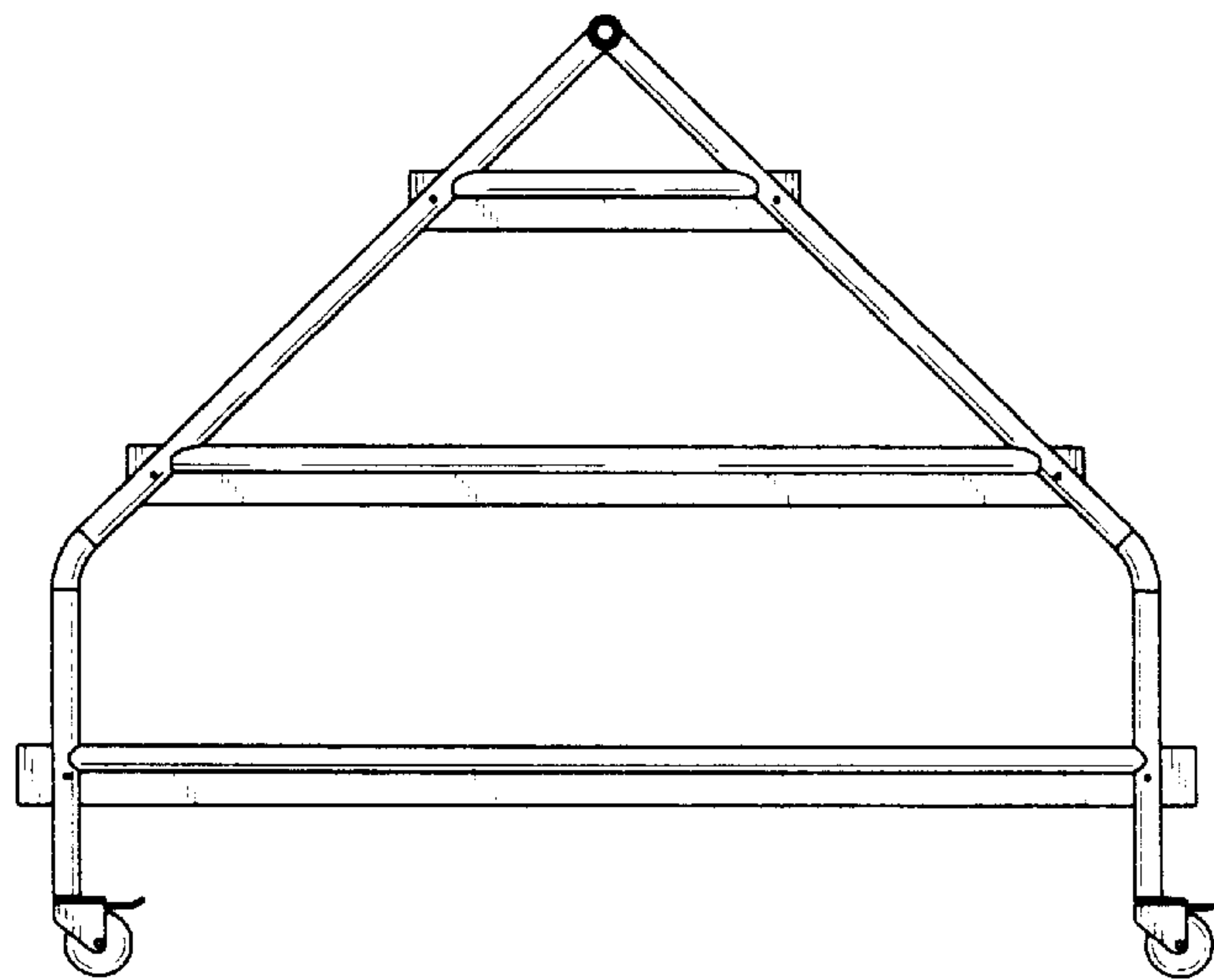


FIG. 3

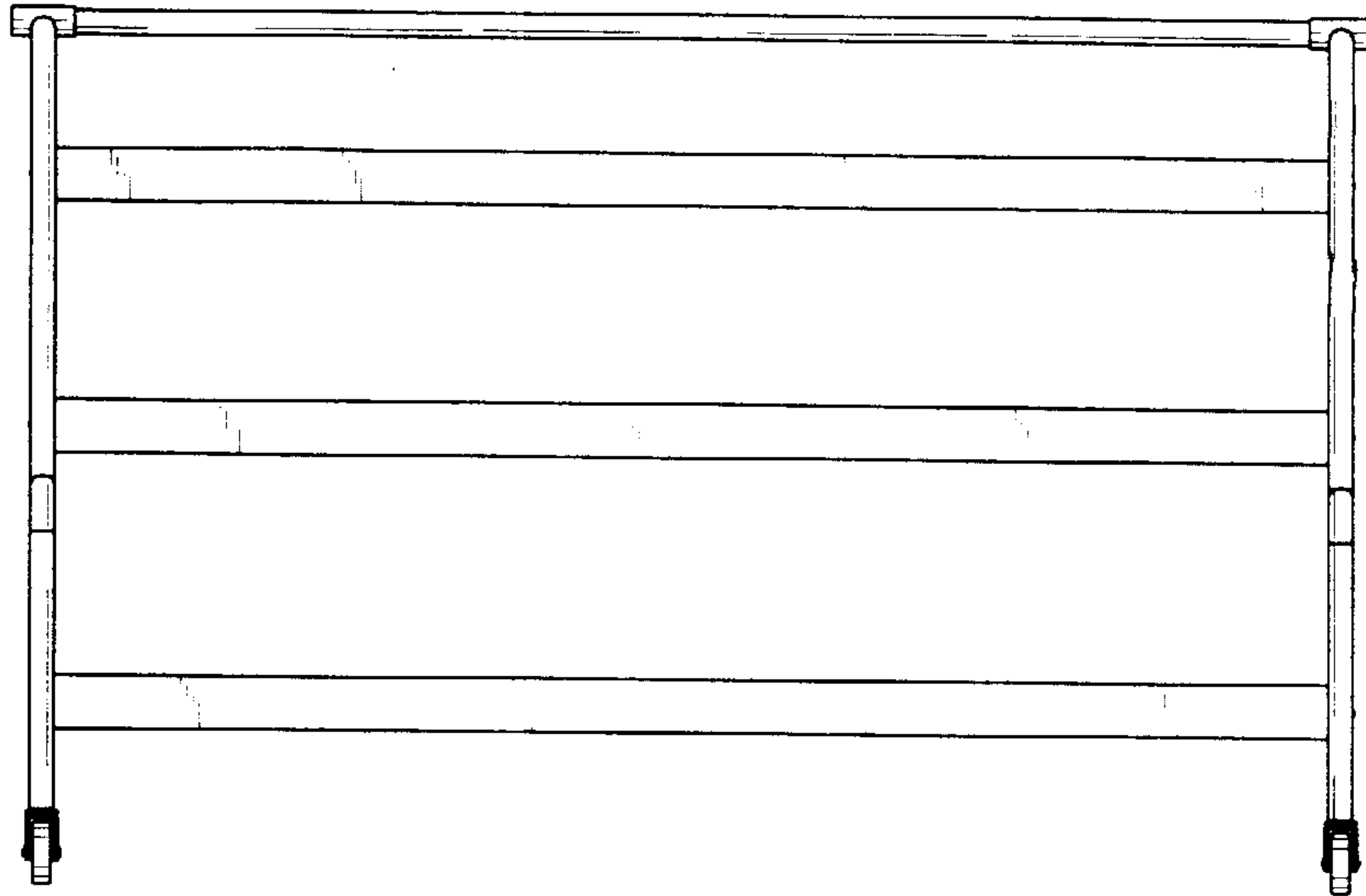


FIG. 4

