



US00D459903S

(12) **United States Design Patent**
Lo

(10) **Patent No.:** **US D459,903 S**

(45) **Date of Patent:** **** Jul. 9, 2002**

(54) **CHAIR**

(76) Inventor: **Ming-Fu Lo**, 17 Fl., No. 630-7, Ta
Yeou Rd., Taoyuan City (TW)

(**) Term: **14 Years**

(21) Appl. No.: **29/149,048**

(22) Filed: **Oct. 1, 2001**

(51) **LOC (7) Cl.** **06-01**

(52) **U.S. Cl.** **D6/366**

(58) **Field of Search** D6/334, 364, 365,
D6/366, 367, 500, 501, 502; 297/411.2,
445.1

(56) **References Cited**

U.S. PATENT DOCUMENTS

| | | | | | |
|------------|---|---------|----------------------|-------|--------|
| D267,989 S | * | 2/1983 | Buhk et al. | | D6/366 |
| D312,536 S | * | 12/1990 | Muller-Deisig et al. | | D6/366 |
| D336,380 S | * | 6/1993 | Roseen et al. | | D6/366 |
| D346,909 S | * | 5/1994 | Obata et al. | | D6/366 |
| D381,525 S | * | 7/1997 | James | | D6/366 |

| | | | | | |
|------------|---|---------|----------------|-------|--------|
| D412,417 S | * | 8/1999 | Jenkins et al. | | D6/500 |
| D420,538 S | * | 2/2000 | Arko et al. | | D6/500 |
| D434,918 S | * | 12/2000 | Arko et al. | | D6/366 |
| D445,613 S | * | 7/2001 | Ginat | | D6/500 |

* cited by examiner

Primary Examiner—Gary D. Watson

(74) *Attorney, Agent, or Firm*—William E. Pelton, Esq.

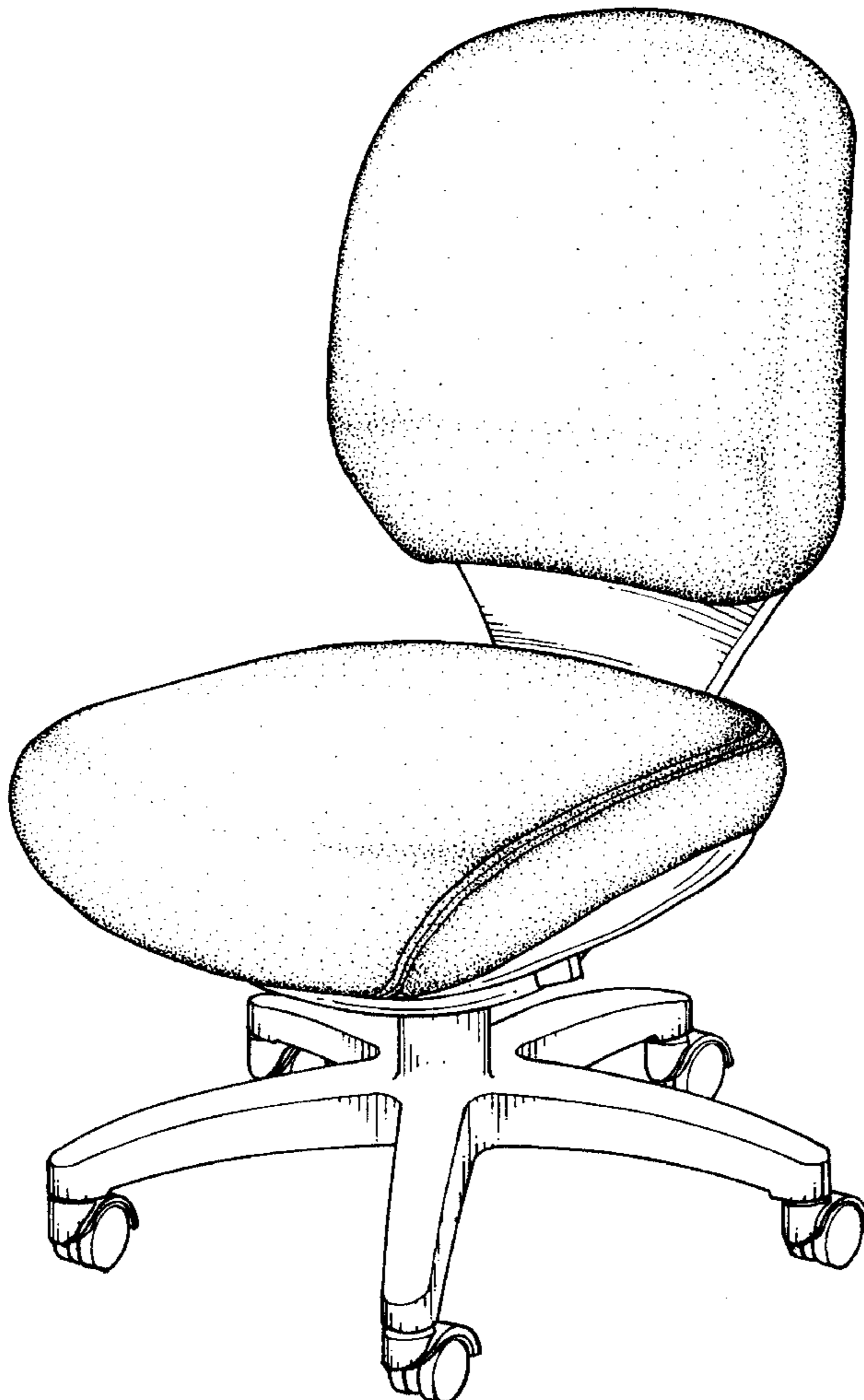
(57) **CLAIM**

The ornamental design for a chair, as shown.

DESCRIPTION

FIG. 1 is a front-right top perspective view of a chair, showing my new design;
FIG. 2 is a front elevational view thereof;
FIG. 3 is a rear elevational view thereof;
FIG. 4 is a left elevational view thereof;
FIG. 5 is a right elevational view thereof;
FIG. 6 is a top plan view thereof; and,
FIG. 7 is a bottom plan view thereof.

1 Claim, 7 Drawing Sheets



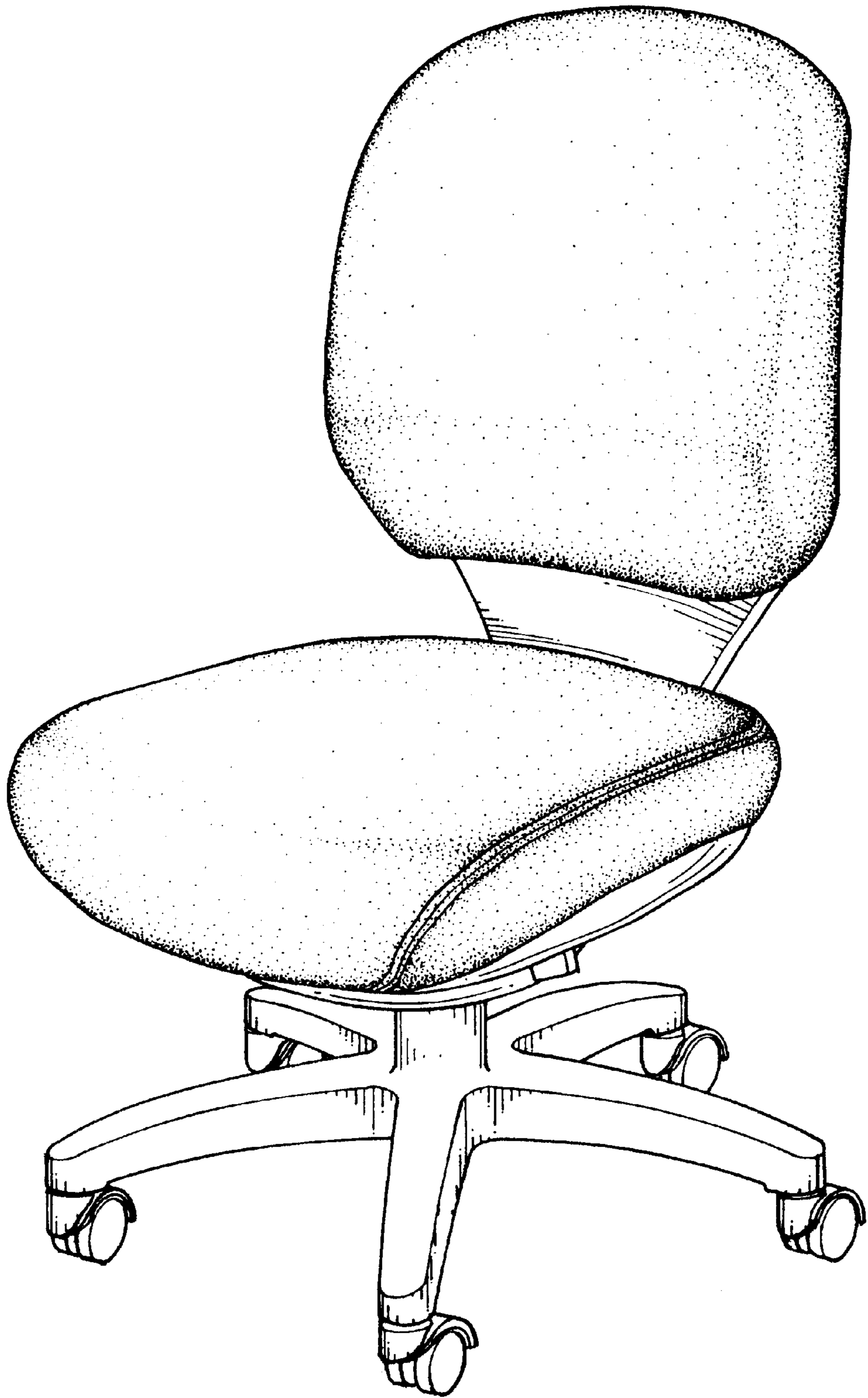


FIG.1

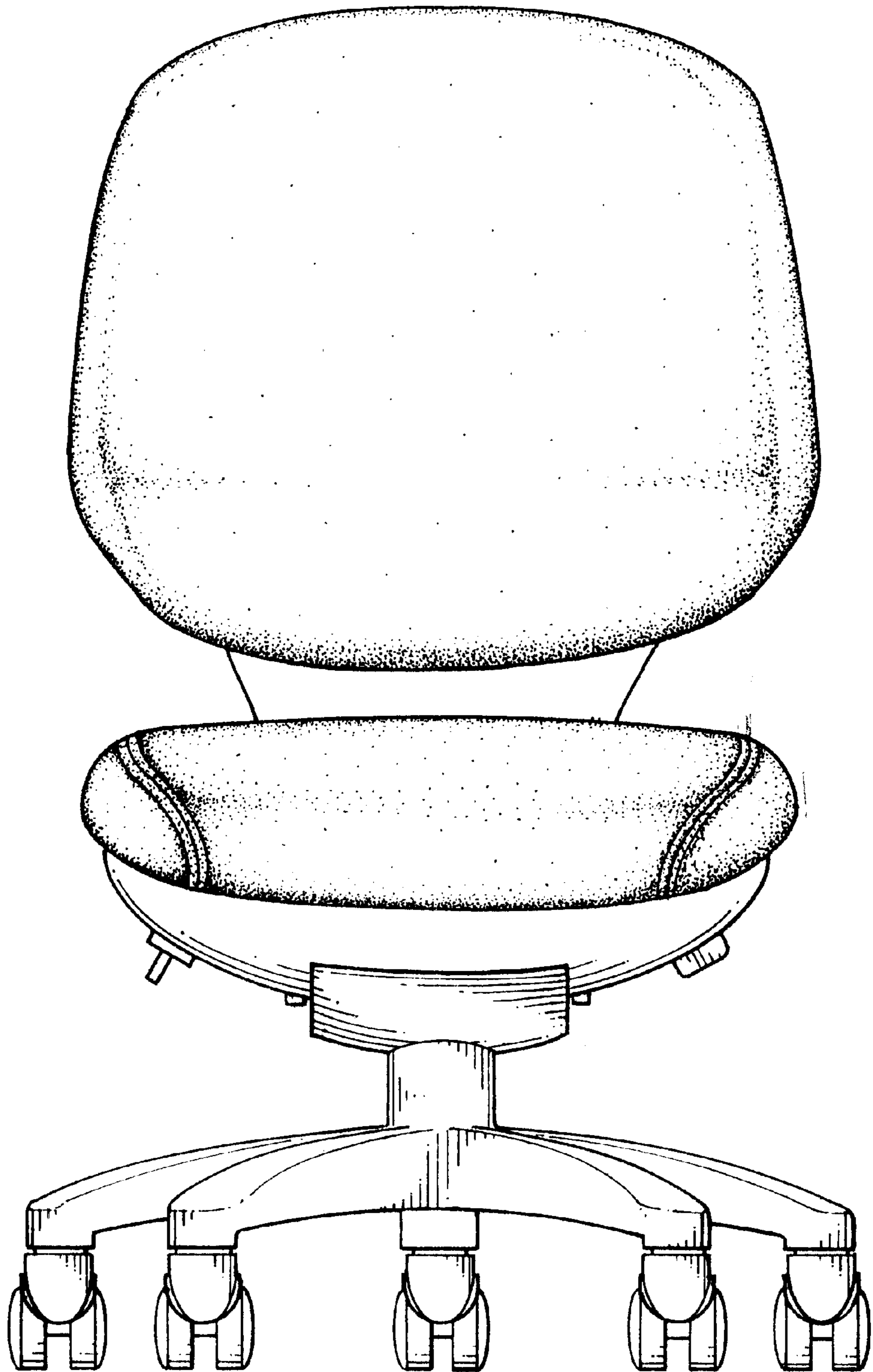


FIG. 2

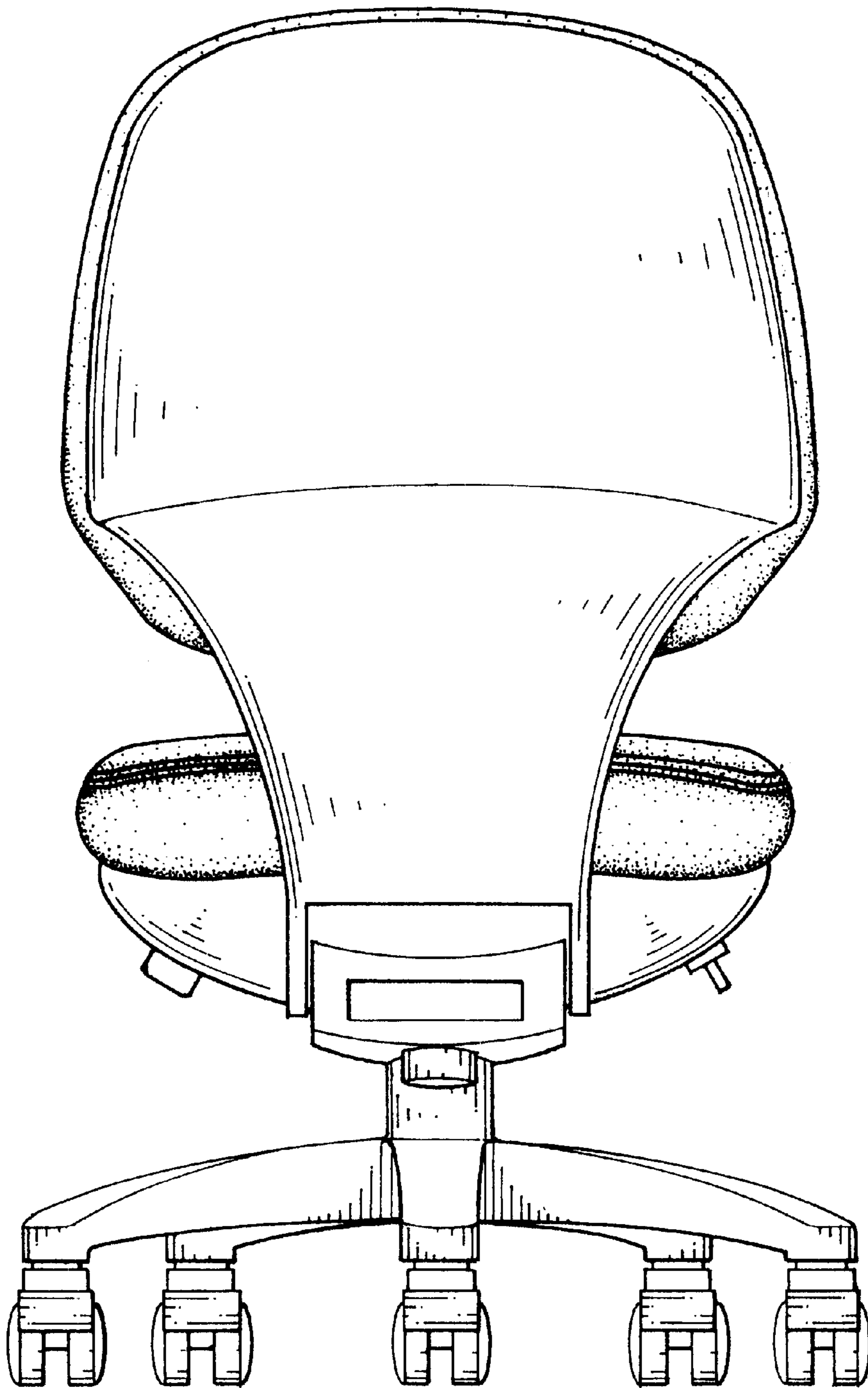


FIG. 3



FIG. 4



FIG. 5

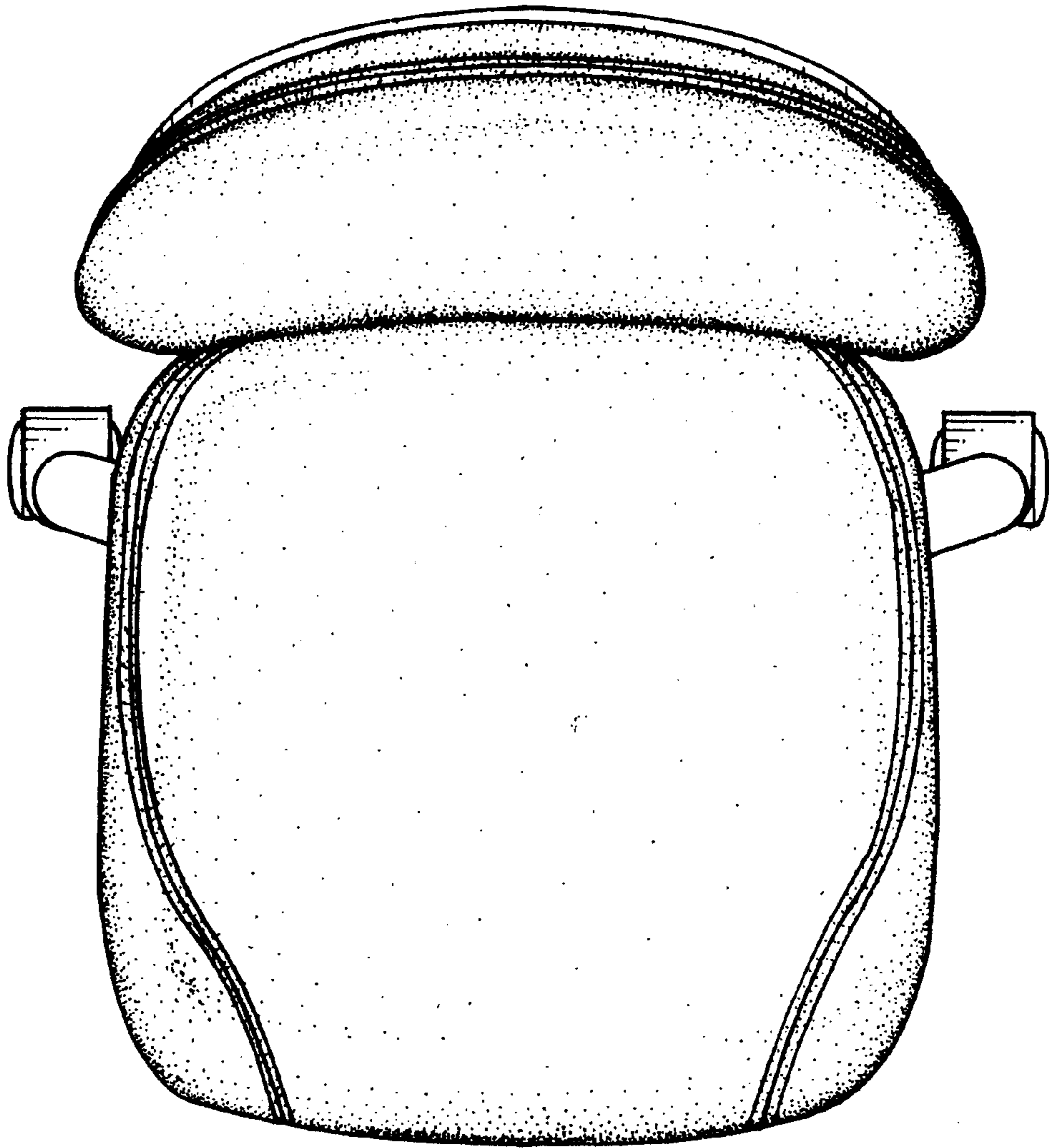


FIG.6

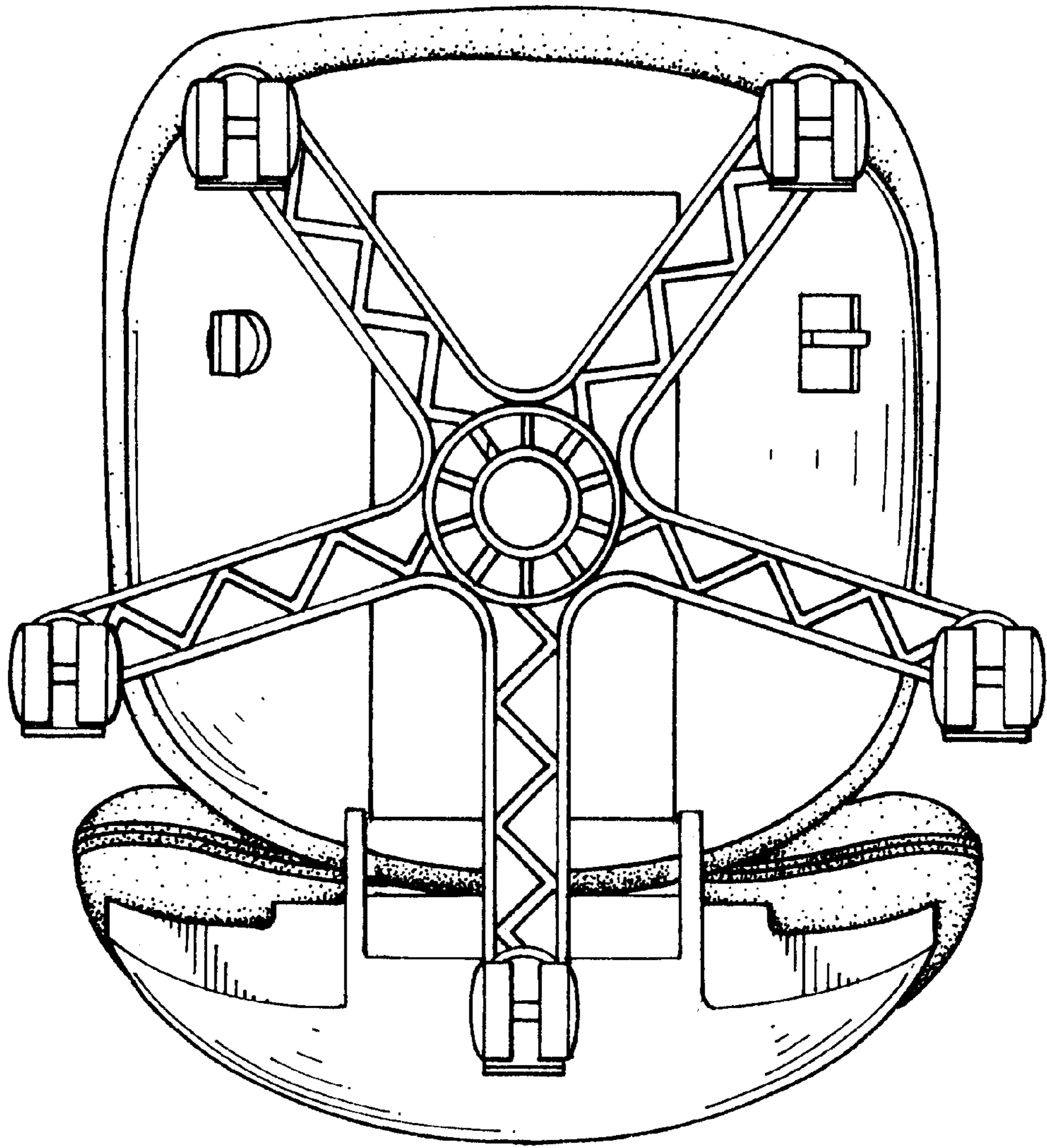


FIG. 7