



US00D459902S

(12) **United States Design Patent**  
**Fox**

(10) **Patent No.:** **US D459,902 S**

(45) **Date of Patent:** **\*\* Jul. 9, 2002**

(54) **COLLAPSIBLE SWIVEL CHAIR**  
(76) Inventor: **Jeffrey A. Fox**, 660 Harvard Ave. #36,  
Santa Clara, CA (US) 95051  
(\*\*) Term: **14 Years**

6,231,119 B1 5/2001 Zheng ..... 297/16.2  
6,237,993 B1 5/2001 Zheng ..... 297/16.2  
6,241,311 B1 6/2001 Zheng ..... 297/45  
6,247,748 B1 6/2001 Zheng ..... 297/16.2  
D448,940 S \* 10/2001 Chi ..... D6/365

\* cited by examiner

(21) Appl. No.: **29/139,097**  
(22) Filed: **Mar. 23, 2001**

*Primary Examiner*—Doris V. Coles  
*Assistant Examiner*—Mimosa De  
(74) *Attorney, Agent, or Firm*—Larry B. Guernsey;  
Intellectual Property Law Offices

(51) **LOC (7) Cl.** ..... **06-01**  
(52) **U.S. Cl.** ..... **D6/365; D6/368**  
(58) **Field of Search** ..... D6/334, 335, 336,  
D6/344, 367, 364, 368, 365, 374, 375,  
500-502; 297/16.1, 16.2, 45-46, 55-57,  
344.21, 344.26, 440.11, 452.13

(57) **CLAIM**

The ornamental design for a collapsible swivel chair, as shown.

**DESCRIPTION**

(56) **References Cited**  
**U.S. PATENT DOCUMENTS**

D289,235 S \* 4/1987 Heyl ..... D6/365  
D291,846 S \* 9/1987 Conn ..... D6/344  
D300,090 S \* 3/1989 Frinier ..... D6/344  
5,975,626 A 11/1999 Aycok ..... 297/16.1  
D430,976 S \* 9/2000 Tow ..... D6/374  
D432,325 S \* 10/2000 Zheng et al. .... D6/368  
D432,823 S 10/2000 Zheng ..... D6/500  
D433,244 S 11/2000 Zheng ..... D6/367  
6,170,907 B1 \* 1/2001 Tsai ..... 297/16.1

FIG. 1 is a front left perspective view of a collapsible swivel chair showing my new design;  
FIG. 2 is a front elevational view thereof;  
FIG. 3 is a right elevational view thereof;  
FIG. 4 is a left elevational view thereof;  
FIG. 5 is a top plan view thereof;  
FIG. 6 is a rear view thereof;  
FIG. 7 is a bottom view thereof; and,  
FIG. 8 is a bottom right perspective view thereof.

**1 Claim, 8 Drawing Sheets**







FIGURE 1



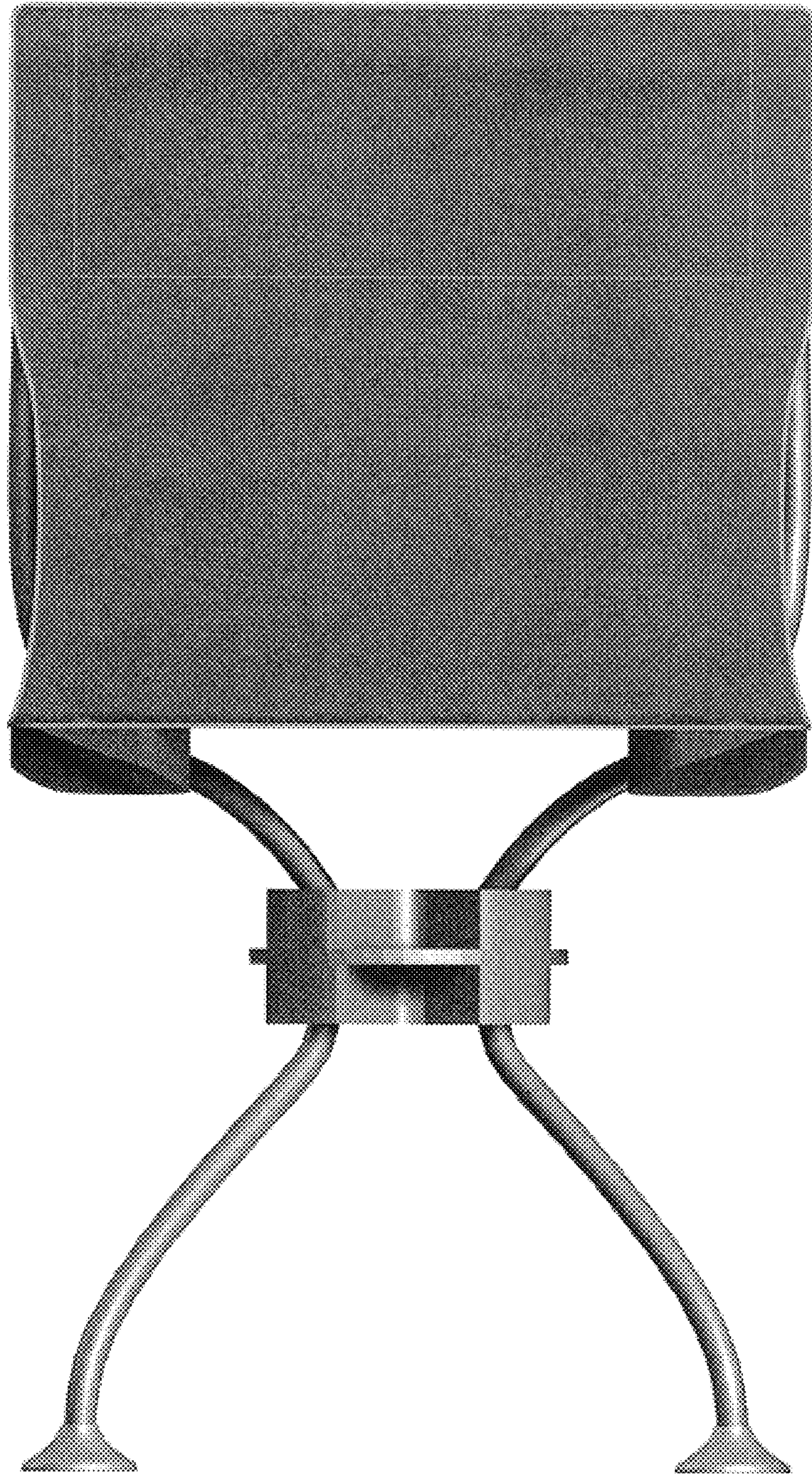


FIGURE 2





FIGURE 3

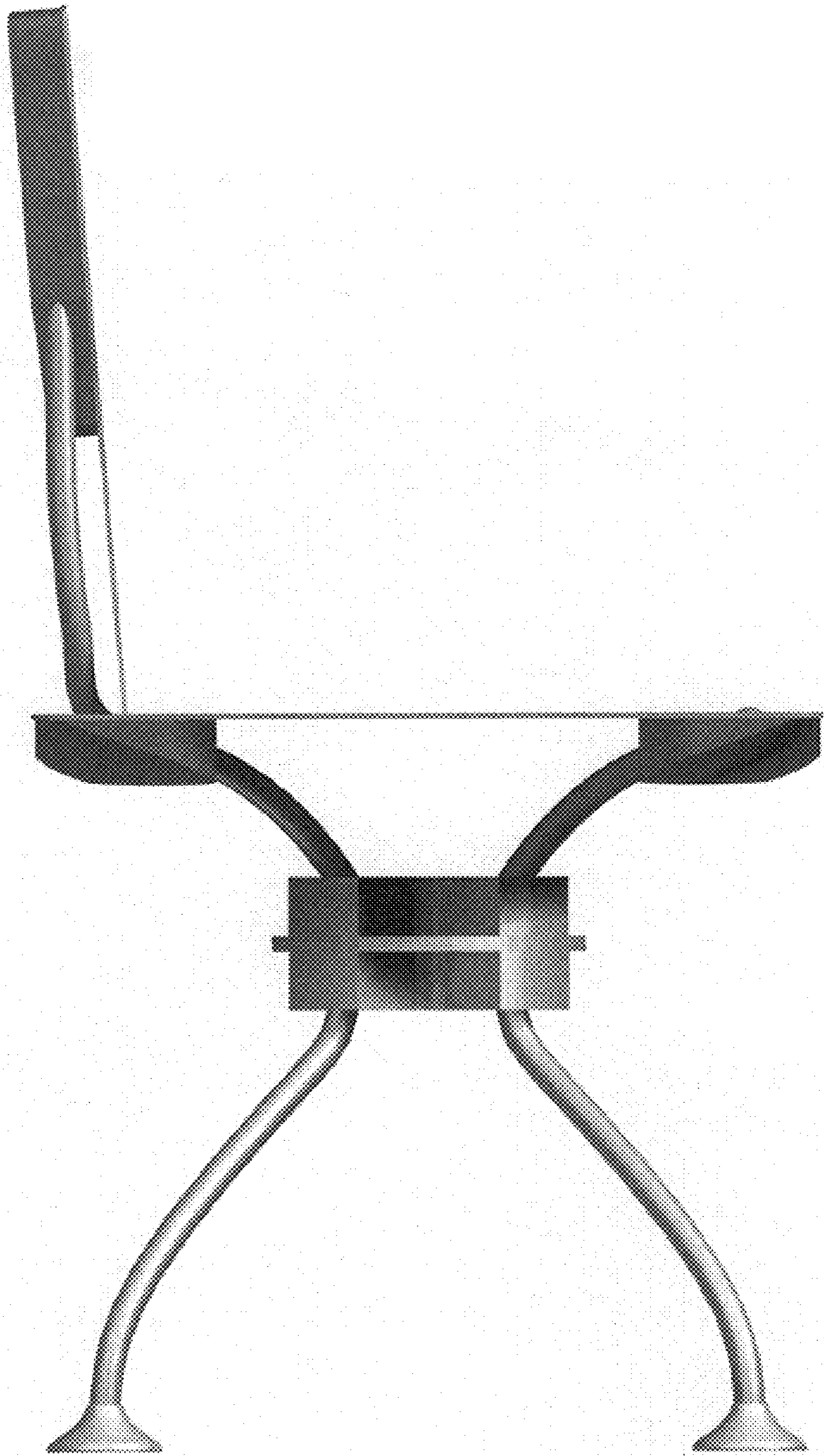


FIGURE 4



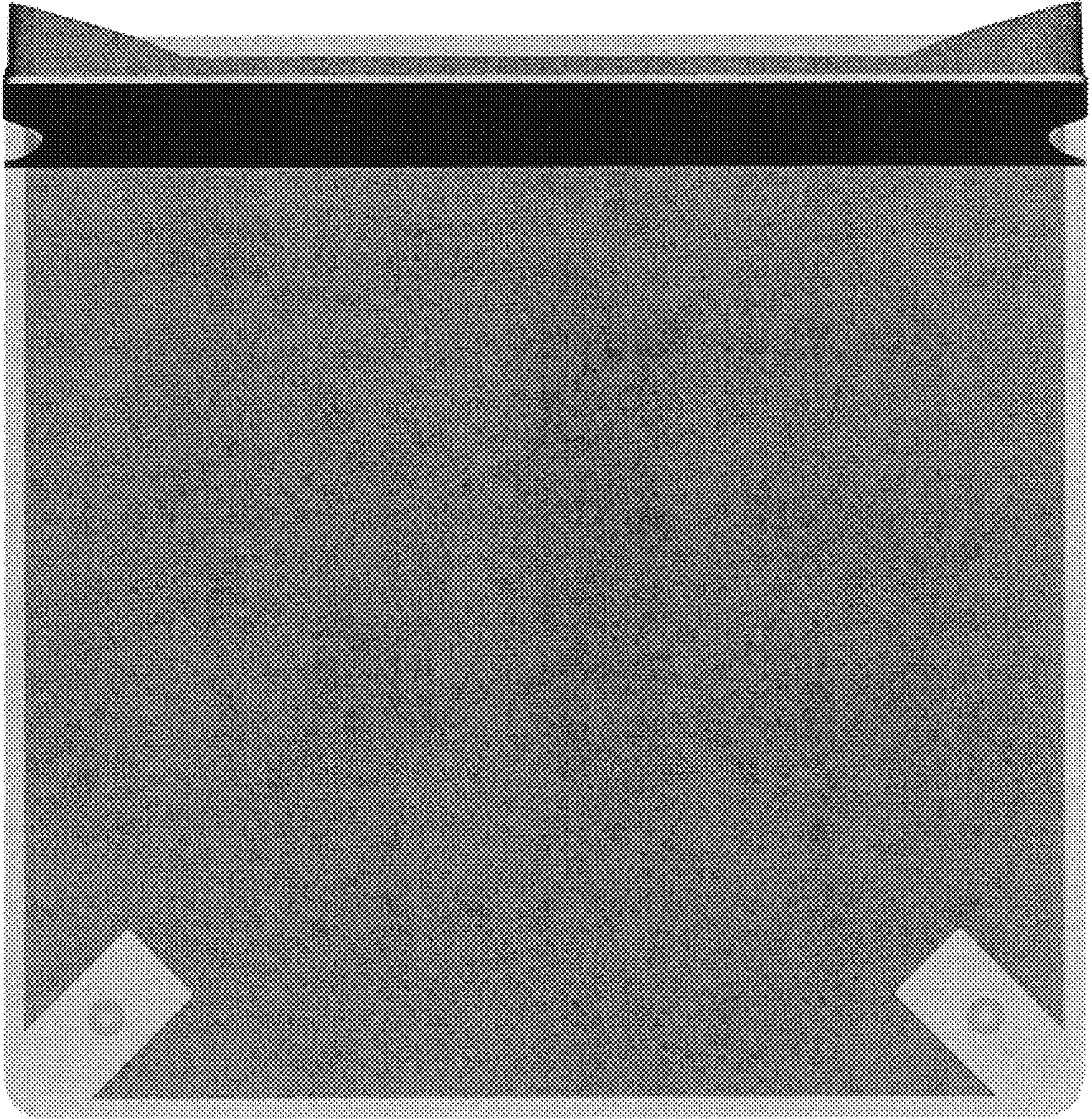


FIGURE 5



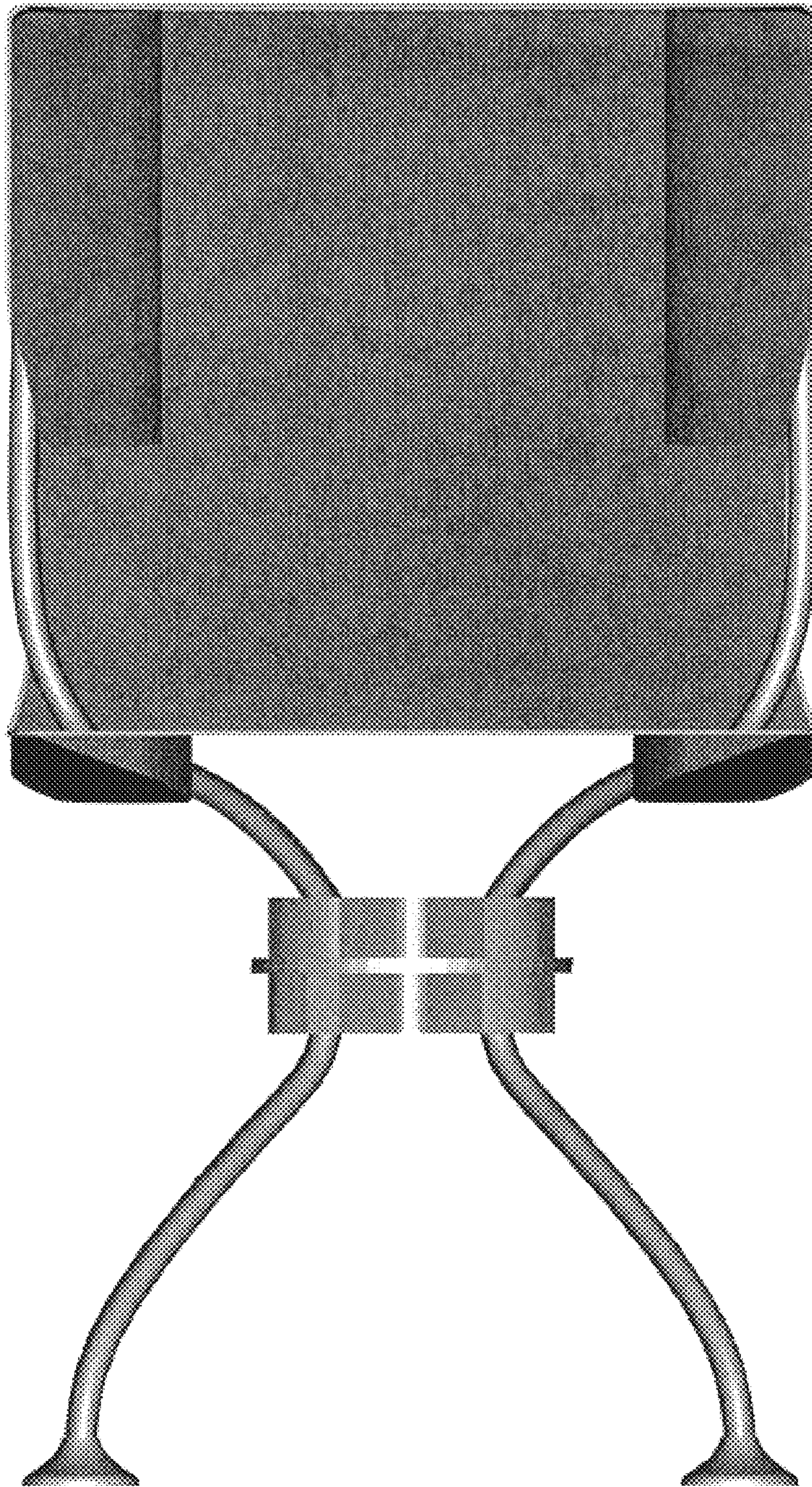


FIGURE 6



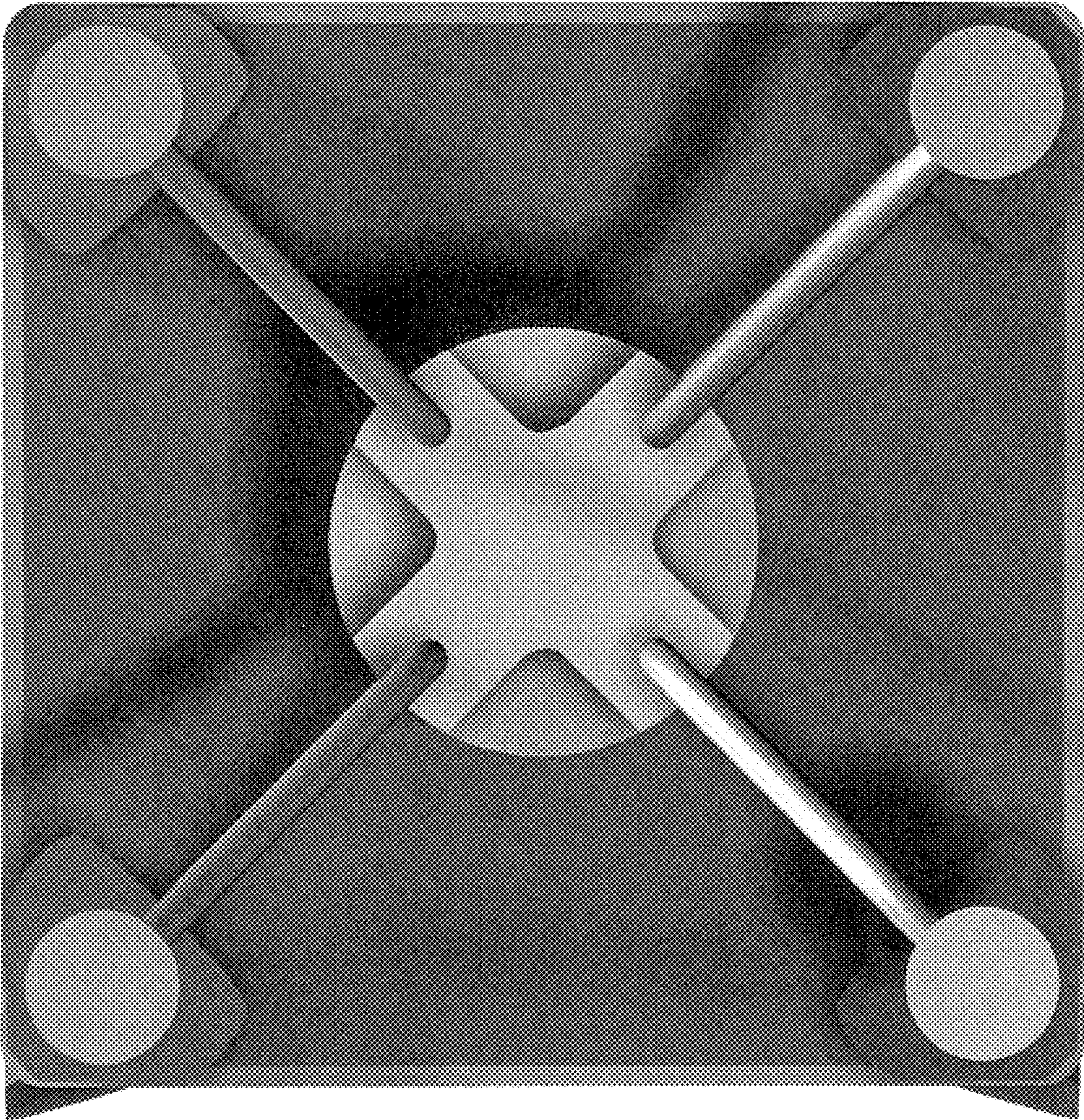


FIGURE 7



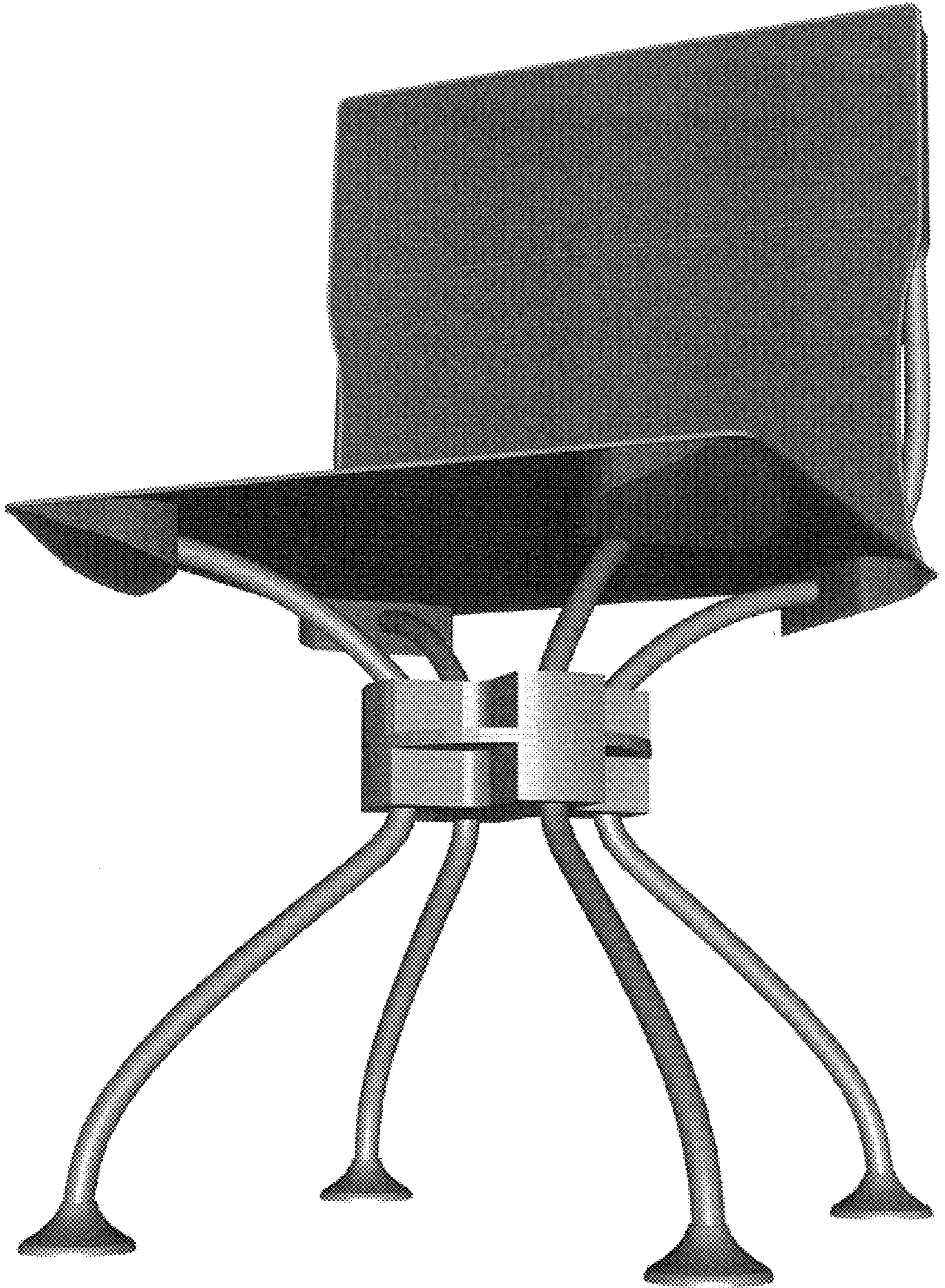


FIGURE 8