



US00D459899S

(12) **United States Design Patent**  
**Smith**

(10) **Patent No.:** **US D459,899 S**

(45) **Date of Patent:** **\*\* Jul. 9, 2002**

(54) **PERSONAL ACCESSORY SUSPENSION  
DEVICE**

(76) Inventor: **Wanda M. Smith**, 8622 Trumps Mill  
Rd., Upper Marlboro, MD (US) 20772

(\*\*) Term: **14 Years**

(21) Appl. No.: **29/141,234**

(22) Filed: **May 2, 2001**

(51) **LOC (7) Cl.** ..... **06-08**

(52) **U.S. Cl.** ..... **D6/327; D8/373; D3/328**

(58) **Field of Search** ..... **D8/373, 367; D3/328;  
D6/327, 513, 317; 248/301, 304, 339**

(56) **References Cited**

**U.S. PATENT DOCUMENTS**

D229,870 S	*	1/1974	Czarny	.....	D3/328
D300,882 S	*	5/1989	Olson	.....	D6/327
D384,505 S	*	10/1997	Stewart	.....	D3/328
D429,899 S	*	8/2000	Schwartz	.....	D8/373
D435,733 S	*	1/2001	Osterholt	.....	D8/373

\* cited by examiner

*Primary Examiner*—Pamela Burgess

(74) *Attorney, Agent, or Firm*—Drinker Biddle & Reath  
LLP

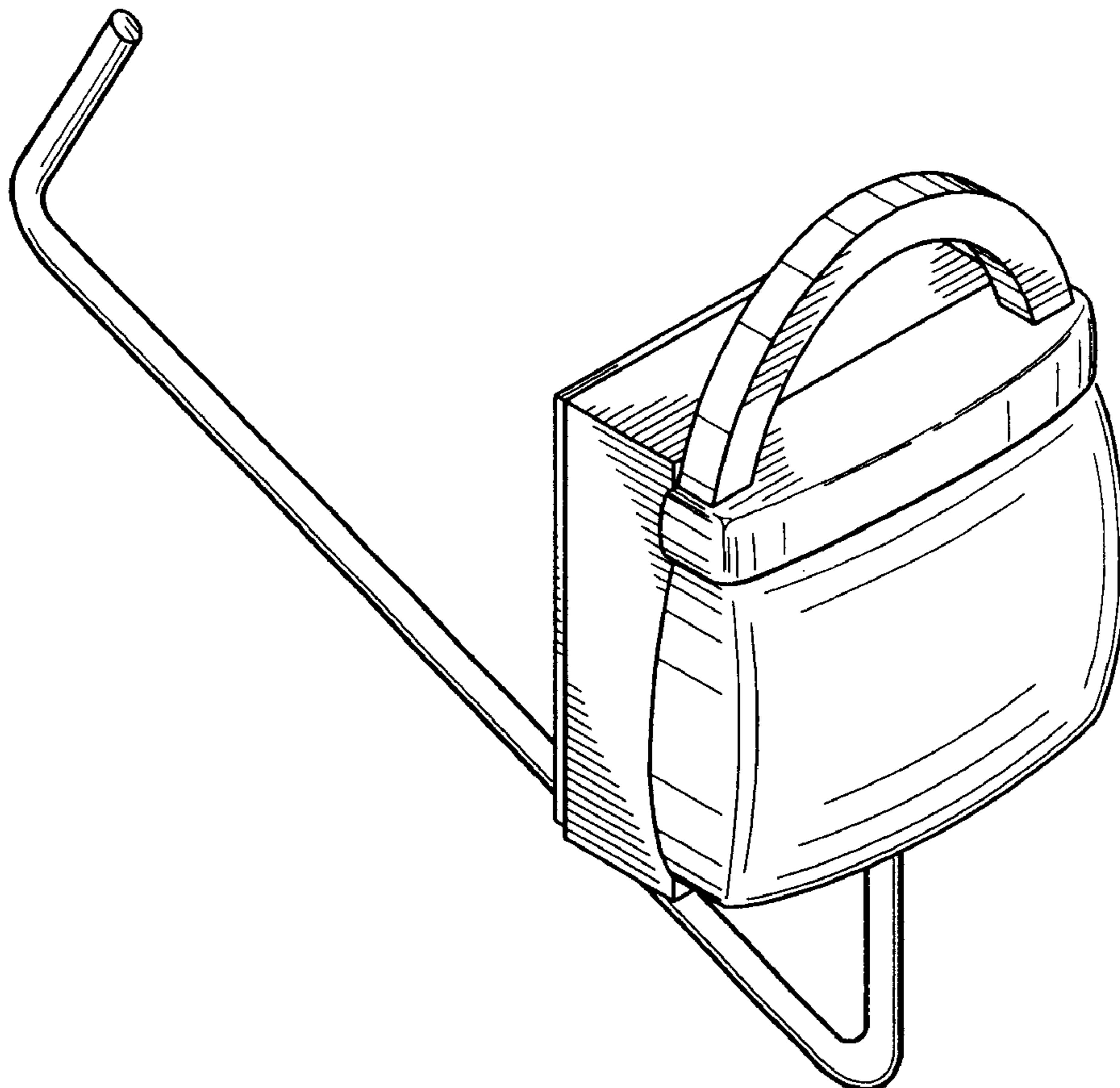
(57) **CLAIM**

The ornamental design for a personal accessory suspension  
device, as shown and described.

**DESCRIPTION**

FIG. 1 is a top perspective view of a personal accessory  
suspension device showing my new design;  
FIG. 2 is a front elevational view thereof;  
FIG. 3 is a rear elevational view thereof;  
FIG. 4 is a top plan view thereof;  
FIG. 5 is a bottom plan view thereof;  
FIG. 6 is a left side elevational view thereof, the undisclosed  
right side being a mirror image;  
FIG. 7 is a top perspective view of a second embodiment of  
a personal accessory suspension device showing my new  
design;  
FIG. 8 is a front elevational view thereof;  
FIG. 9 is a rear elevational view thereof;  
FIG. 10 is a top plan view thereof;  
FIG. 11 is a bottom plan view thereof; and,  
FIG. 12 is a left side elevational view thereof, the undis-  
closed right side being a mirror image.

**1 Claim, 8 Drawing Sheets**



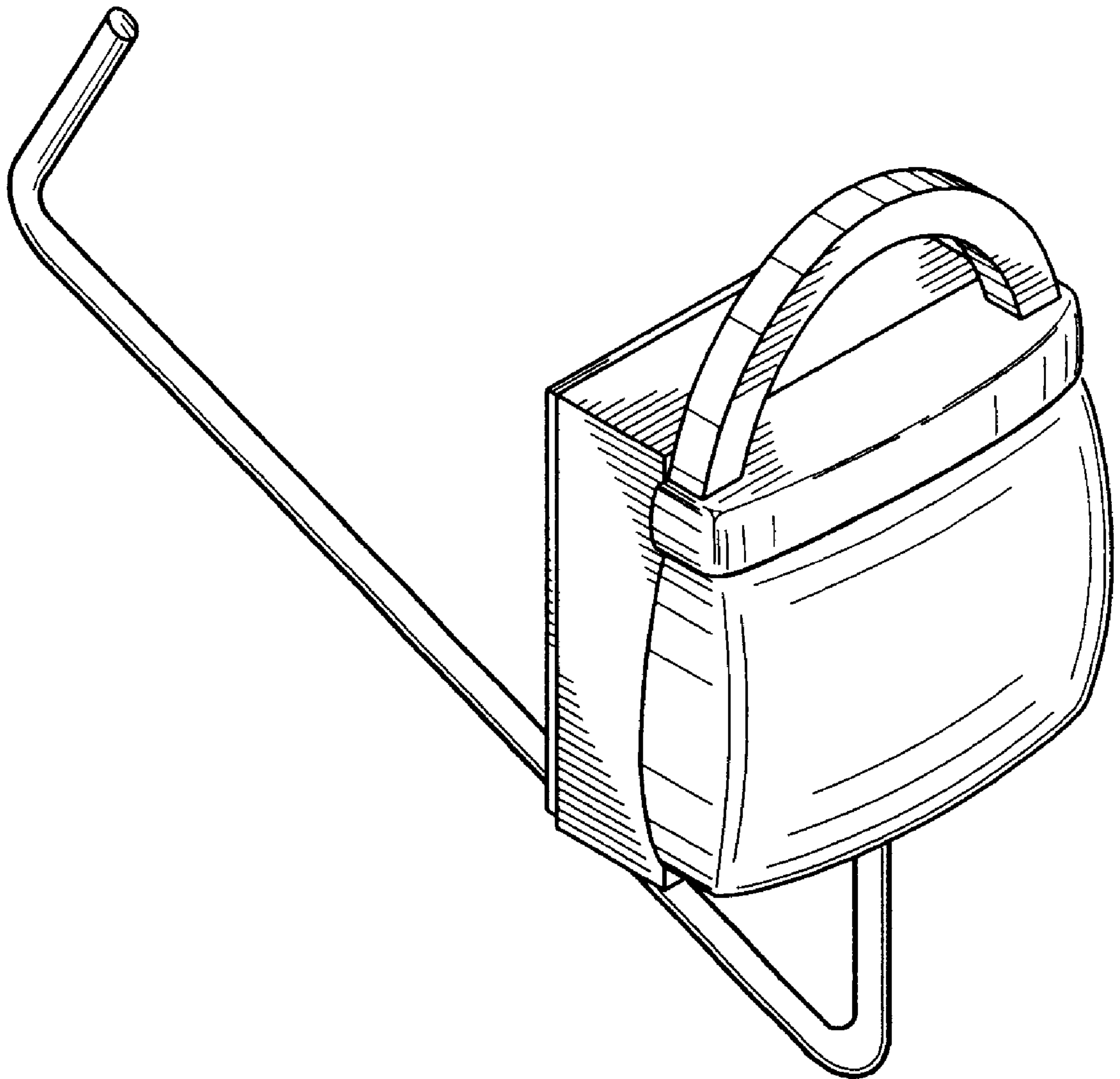


FIG. 1

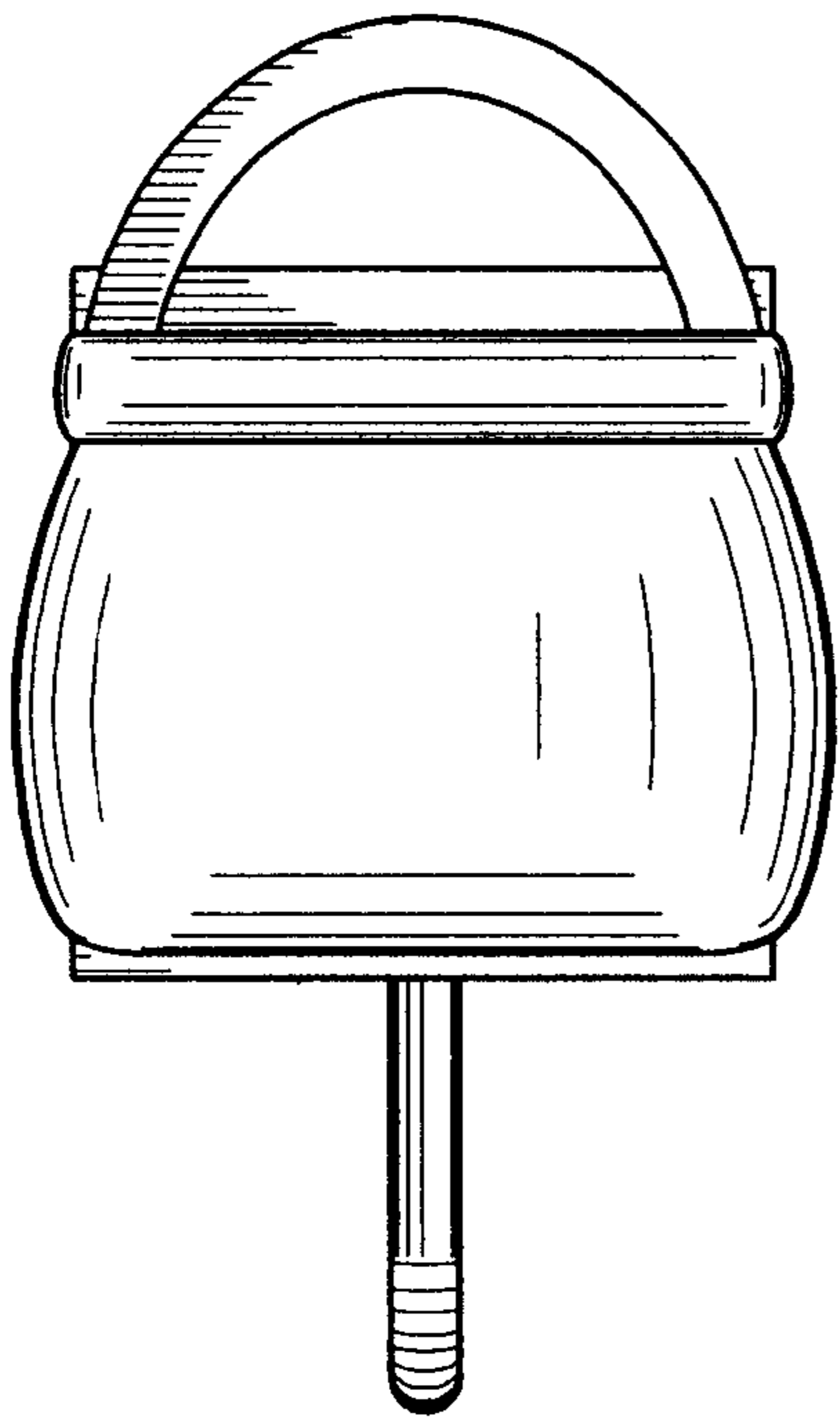


FIG. 2

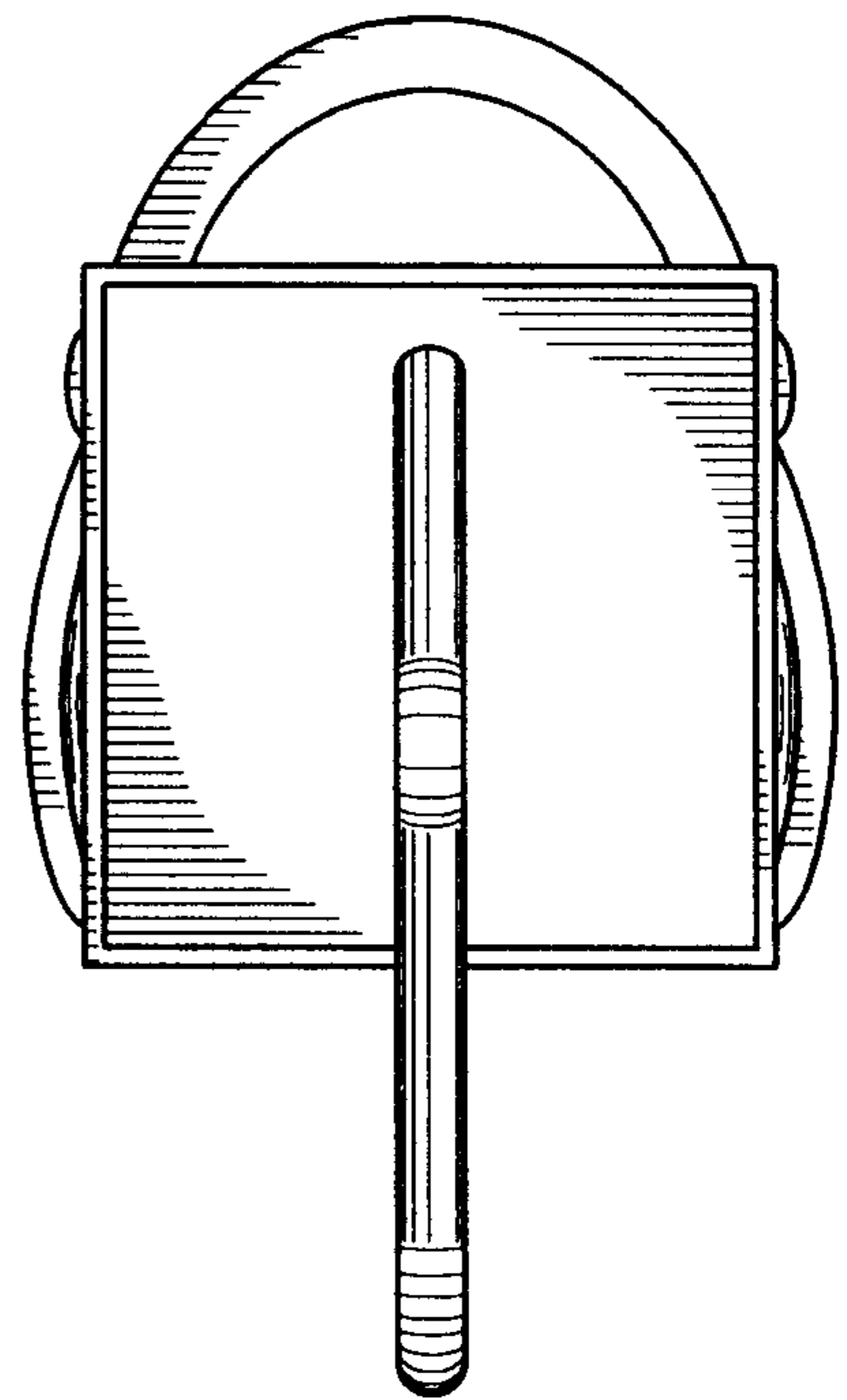


FIG. 3

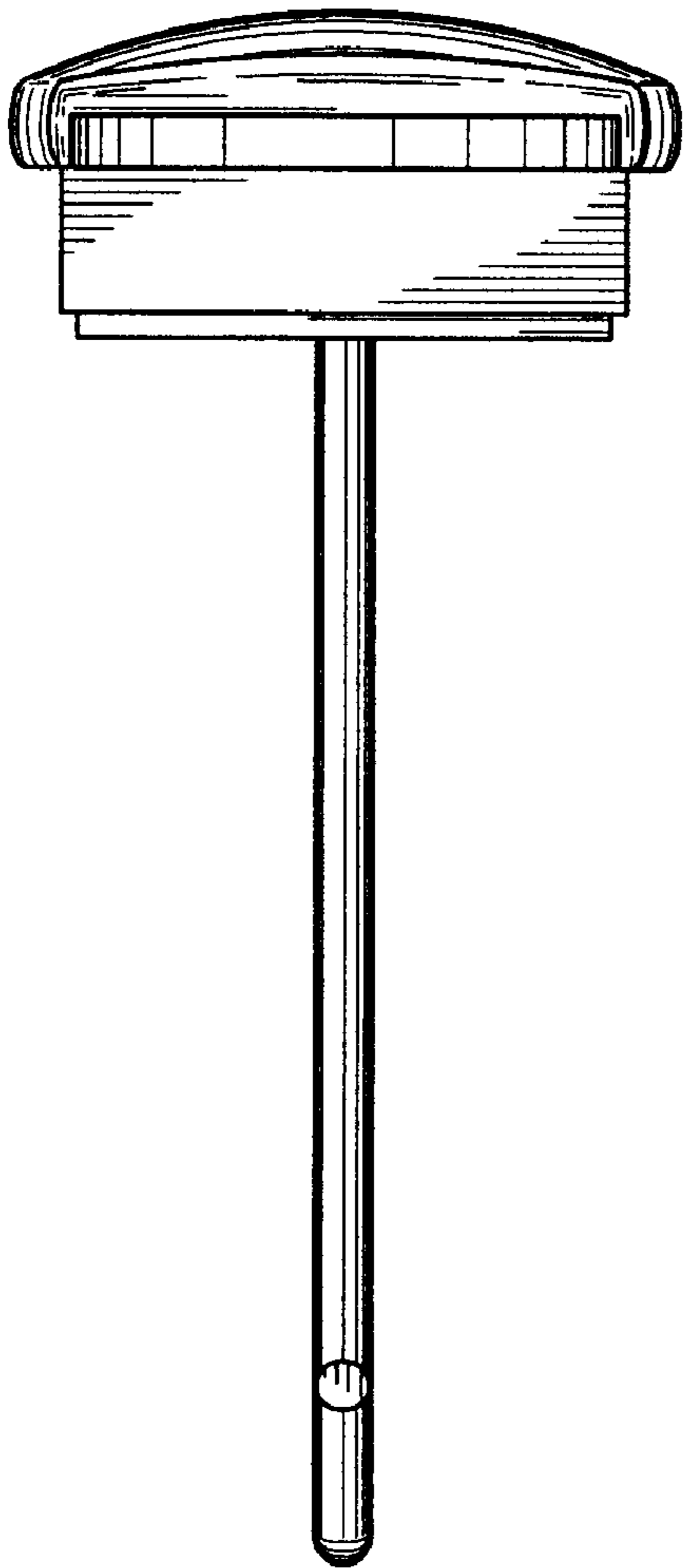


FIG. 4

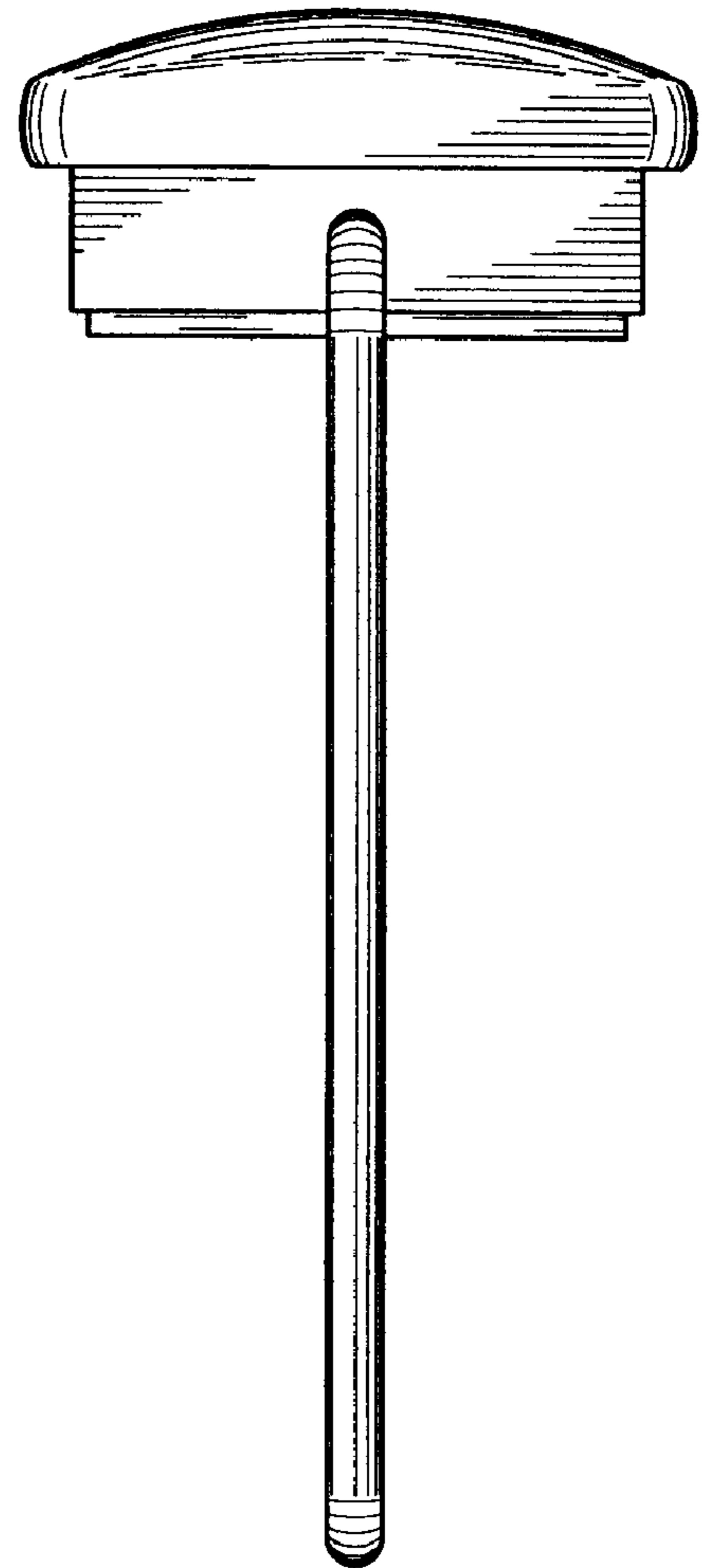


FIG. 5

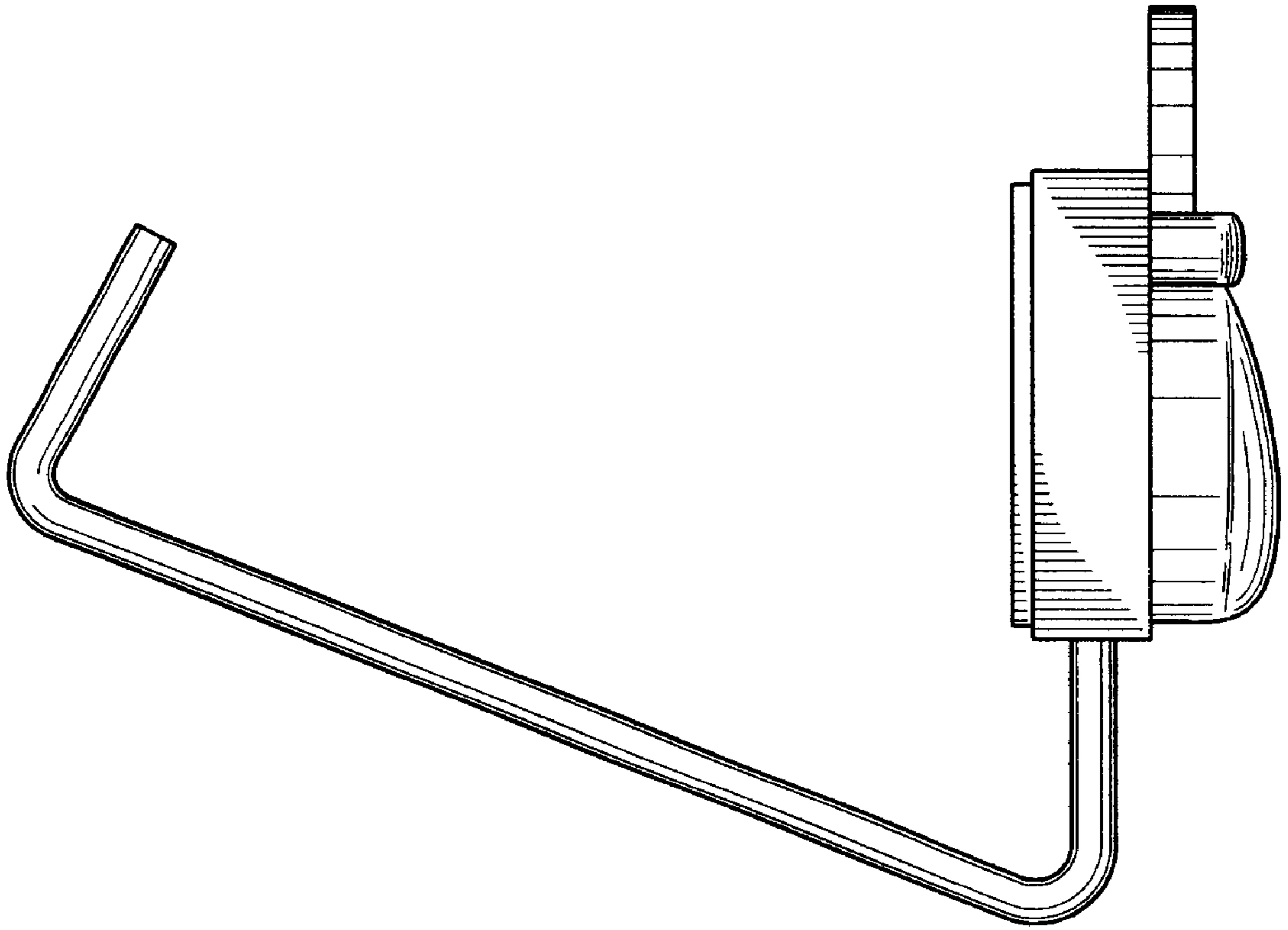


FIG. 6

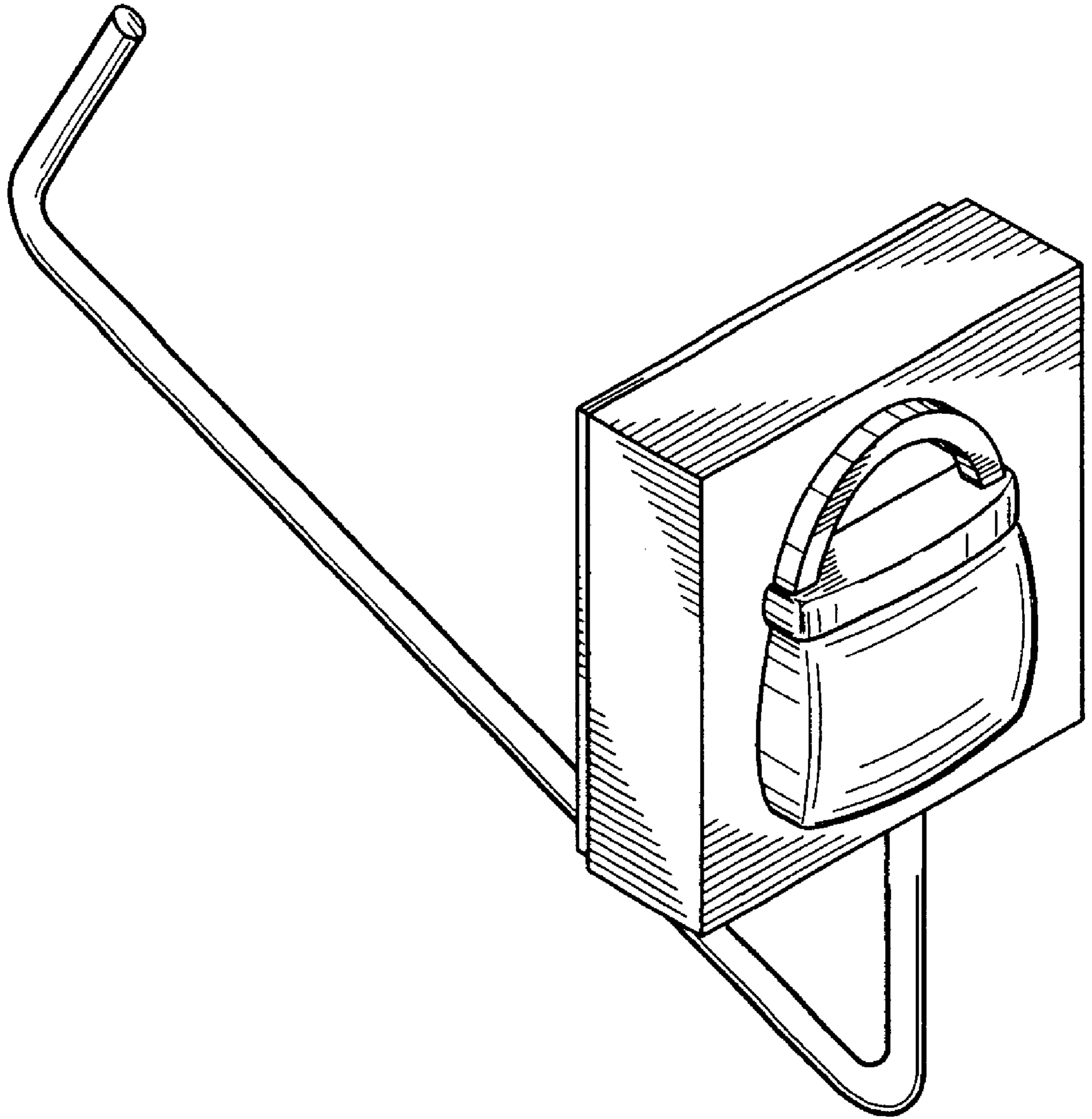


FIG. 7

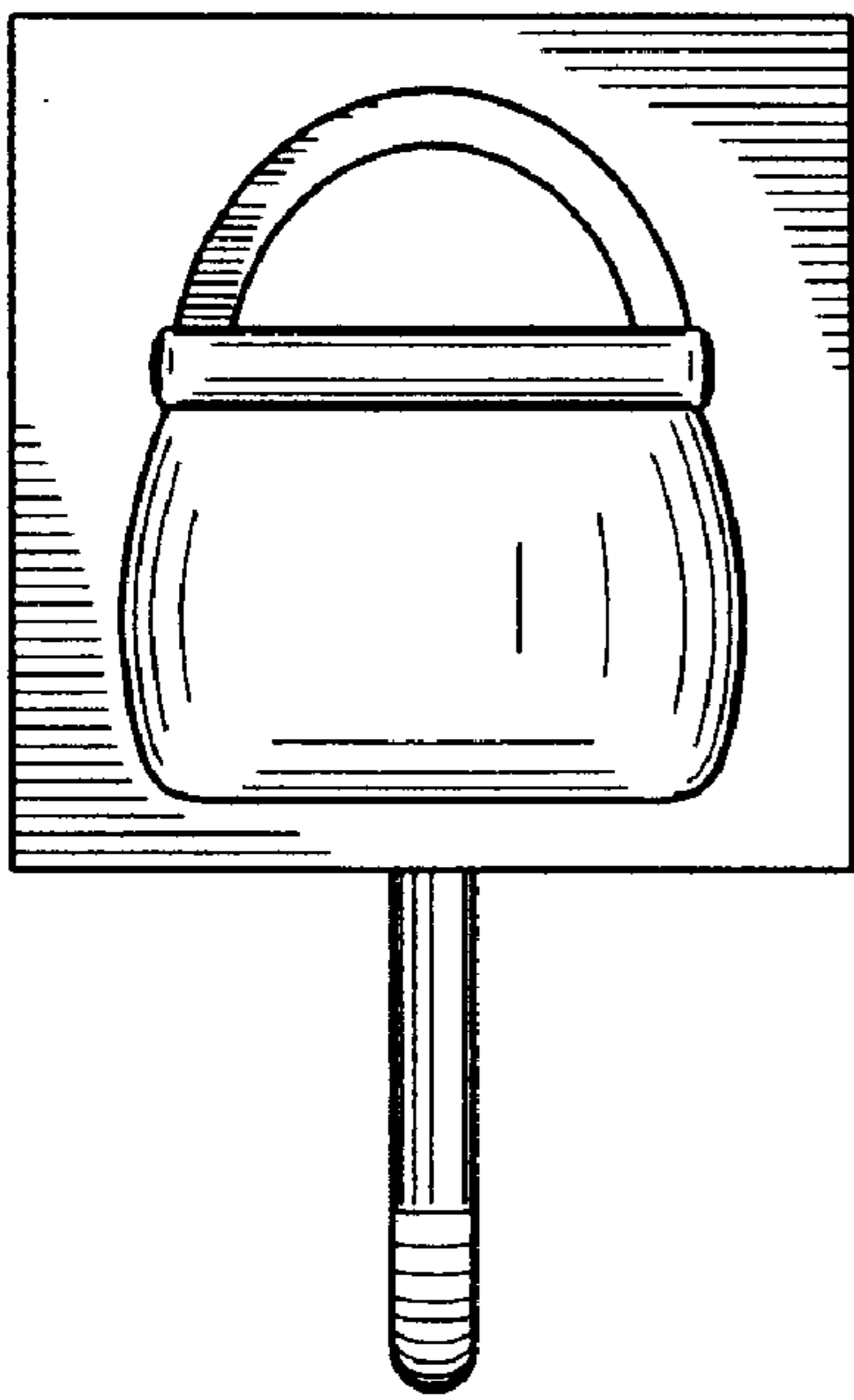


FIG. 8

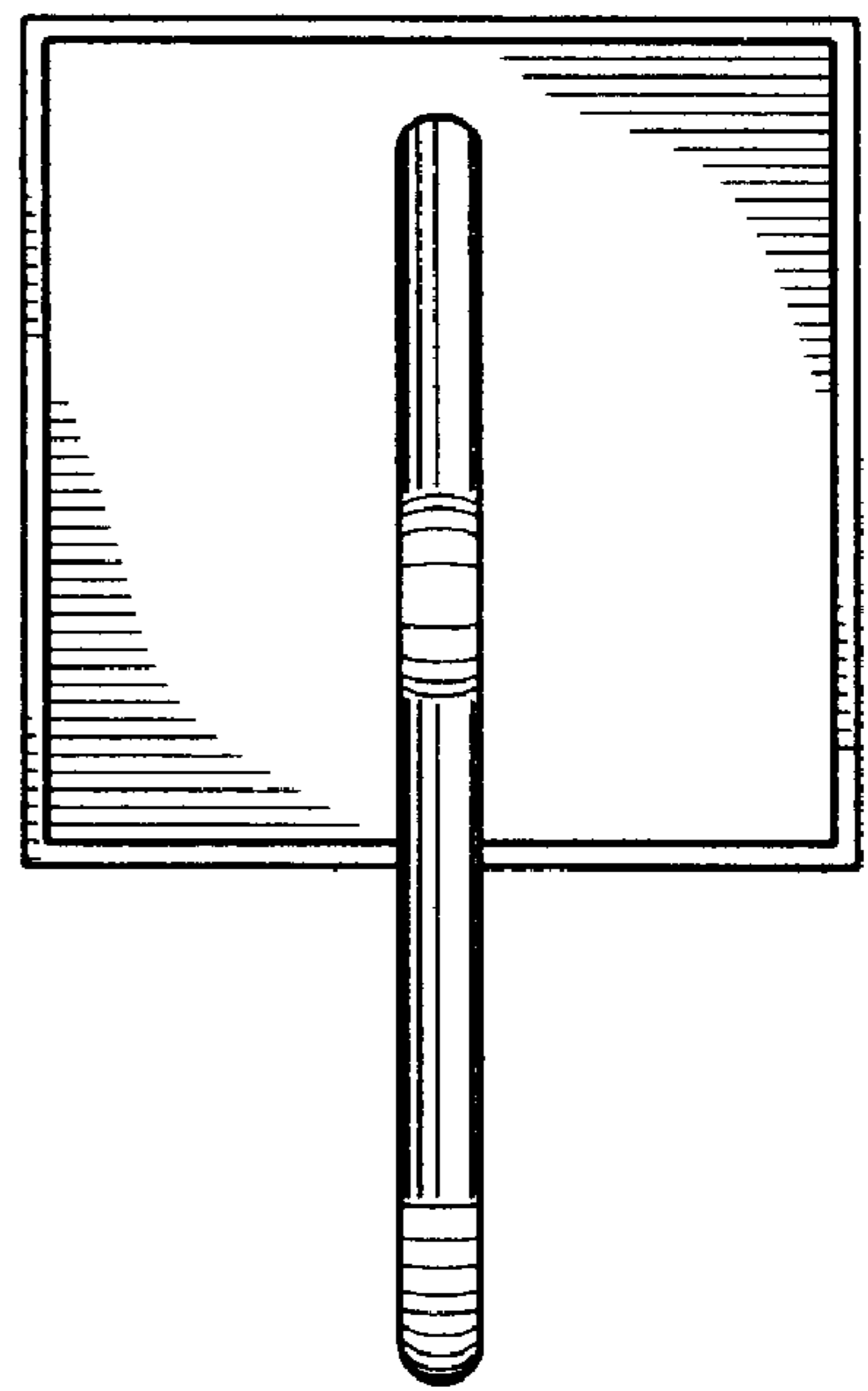


FIG. 9

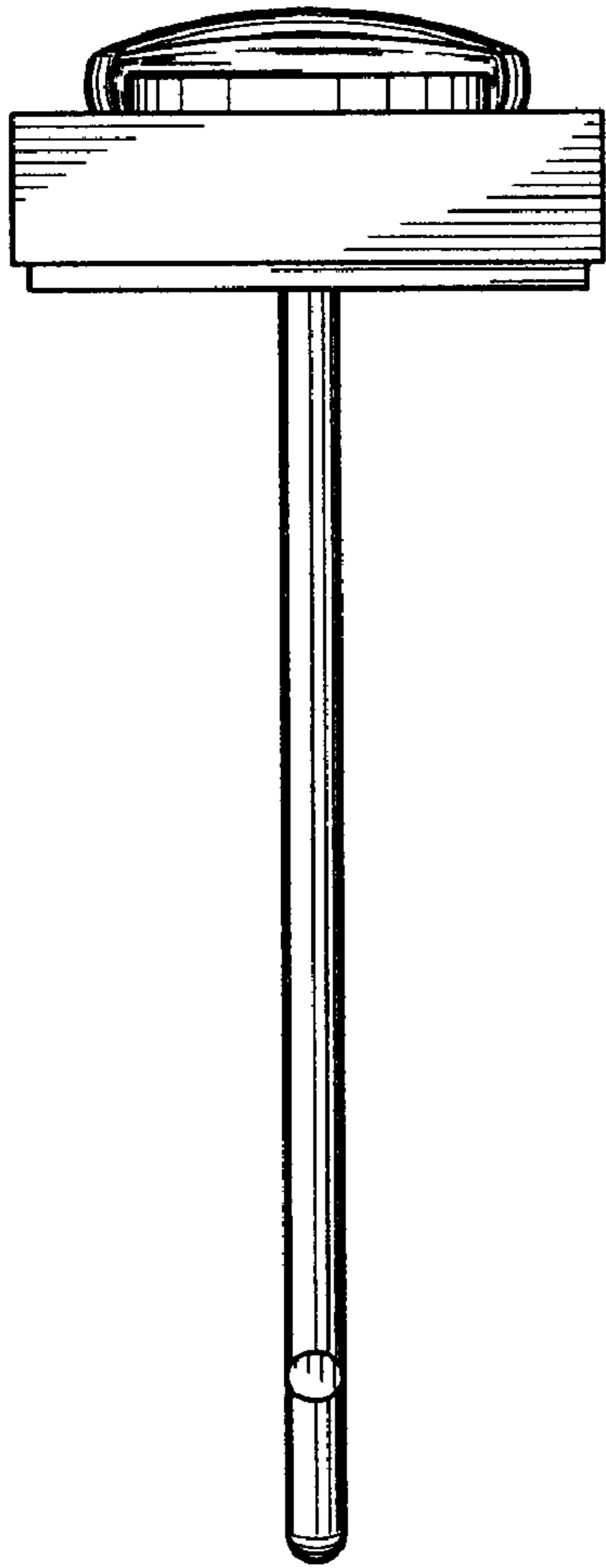


FIG. 10

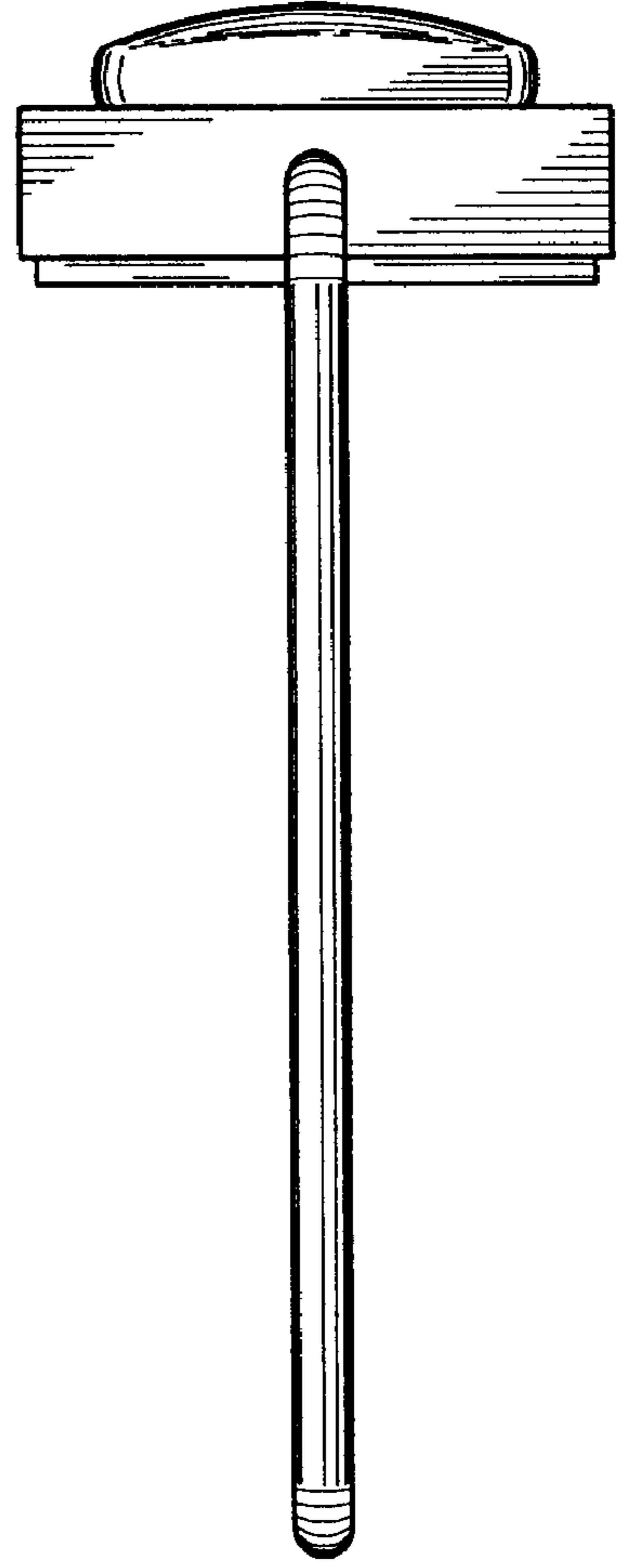


FIG. 11



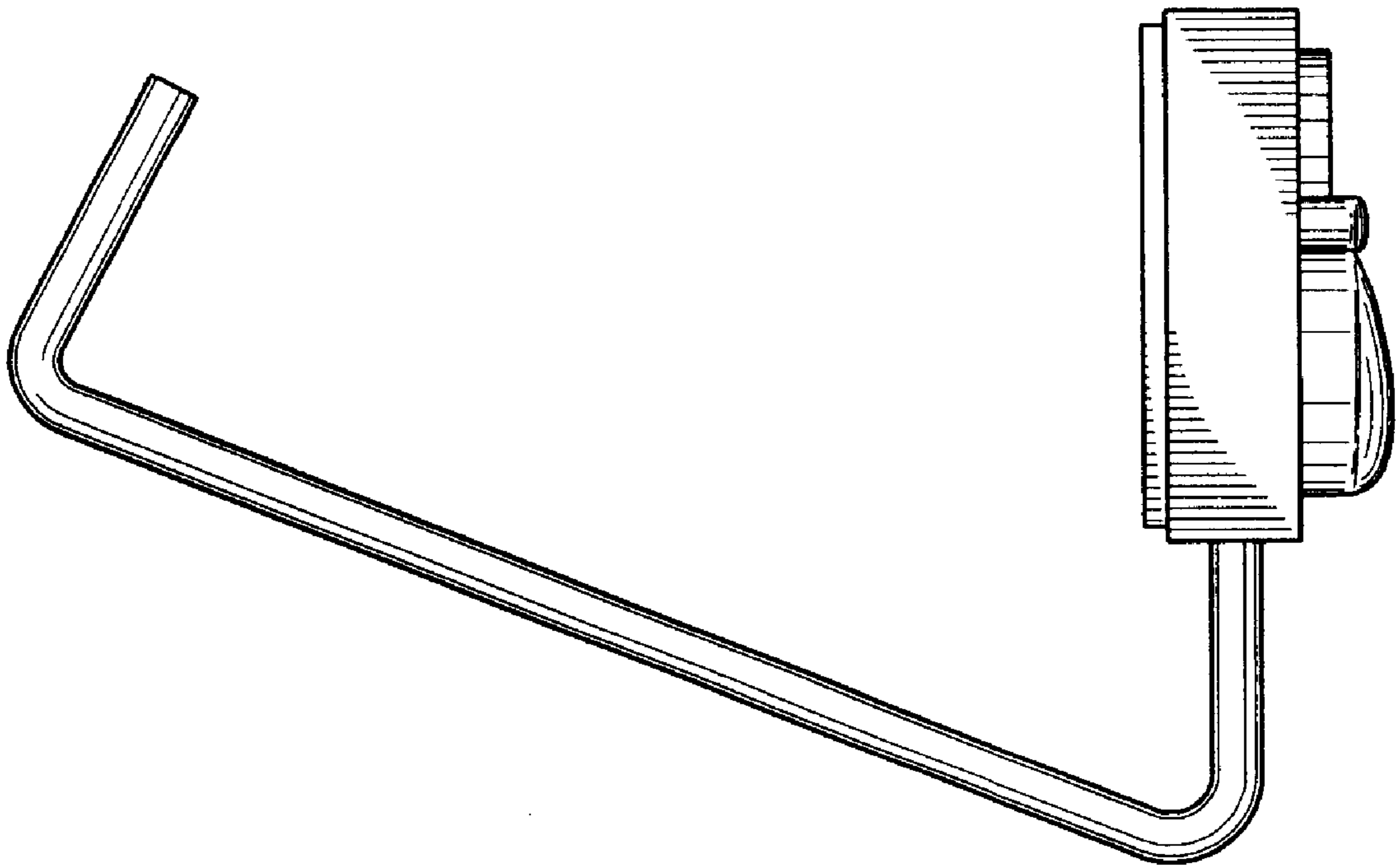


FIG. 12