



US00D459896S

(12) **United States Design Patent**  
**Kapp**

(10) **Patent No.:** **US D459,896 S**

(45) **Date of Patent:** **\*\* Jul. 9, 2002**

(54) **PAINTBRUSH HANDLE**

(75) Inventor: **Dennis Kapp**, St. Petersburg, FL (US)

(73) Assignee: **Martin Universal Design**, Detroit, MI (US)

(\*\*) Term: **14 Years**

(21) Appl. No.: **29/145,117**

(22) Filed: **Jul. 16, 2001**

(51) **LOC (7) Cl.** ..... **04-04**

(52) **U.S. Cl.** ..... **D4/138**

(58) **Field of Search** ..... D4/132, 135, 138;  
15/143.1, 159.1, 160, 166, 191.1, 192-194

(56) **References Cited**

**U.S. PATENT DOCUMENTS**

407,900 A	*	7/1889	Read	.....	15/192
D258,240 S	*	2/1981	Takada et al.	.....	D4/135
D351,065 S	*	10/1994	Lee	.....	D4/135
D421,680 S	*	3/2000	Worthington	.....	D4/128

**FOREIGN PATENT DOCUMENTS**

FR 2642283 \* 8/1990 ..... A46B/17/04

\* cited by examiner

*Primary Examiner*—Alan P. Douglas

*Assistant Examiner*—Lavone Tabor

(74) *Attorney, Agent, or Firm*—Rader, Fishman & Grauer, PLLC

(57) **CLAIM**

The ornamental design for a paintbrush handle, as shown and described.

**DESCRIPTION**

FIG. 1 is a perspective view of the paintbrush handle design of the present invention;

FIG. 2 is an elevational view of the design of the present invention from the left side;

FIG. 3 is an elevational view of the design of the present invention from the right side;

FIG. 4 is a top view of the design of the present invention;

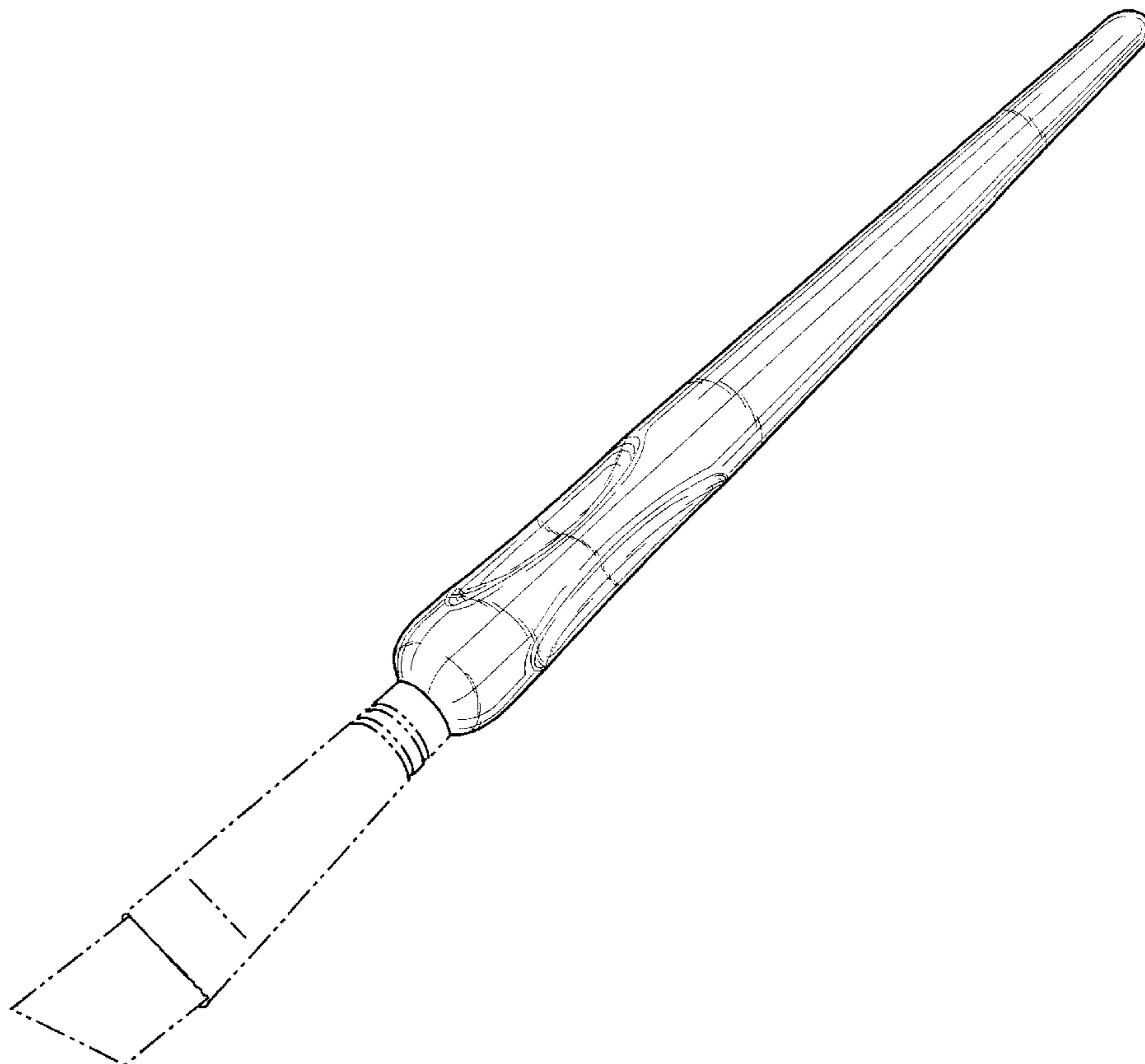
FIG. 5 is a bottom view of the design of the present invention;

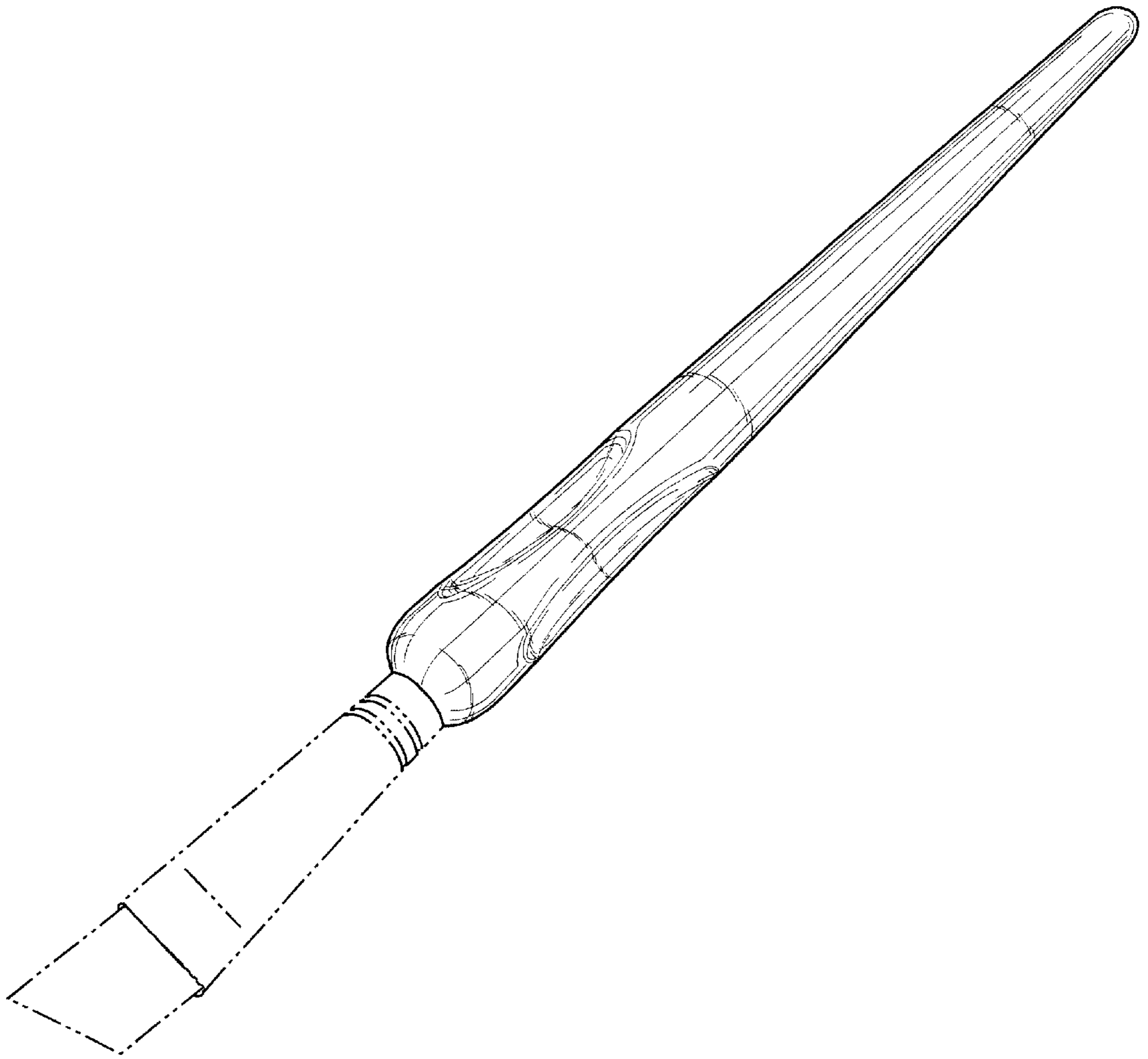
FIG. 6 is an enlarged end view of the design of the present invention taken from the bottom end of the handle; and,

FIG. 7 is an enlarged end view of the design of the present invention taken from the top end of the handle.

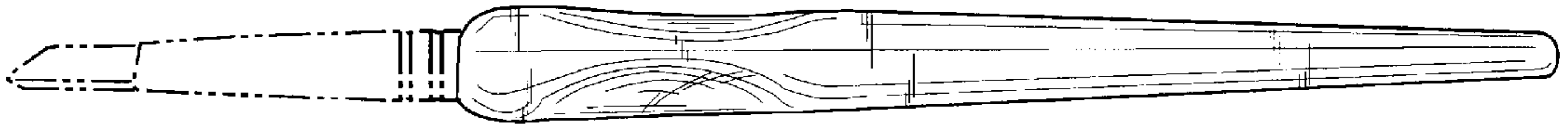
The broken lines are for illustrative purposes only and form no part of the claimed design.

**1 Claim, 3 Drawing Sheets**

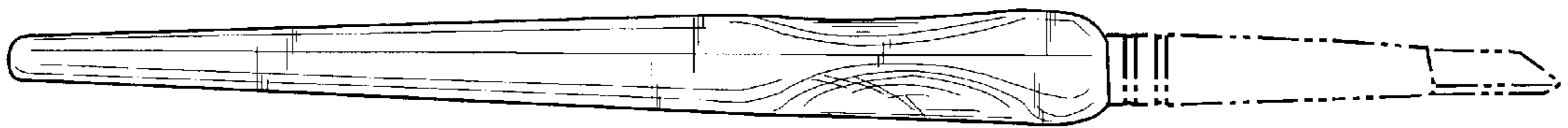




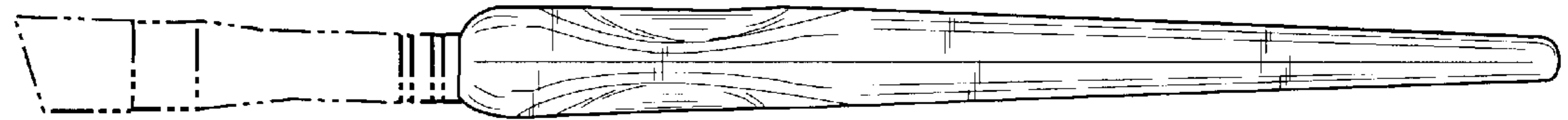
**Fig. 1**



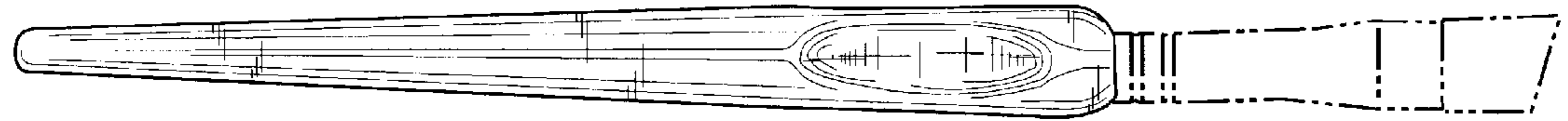
**Fig. 2**



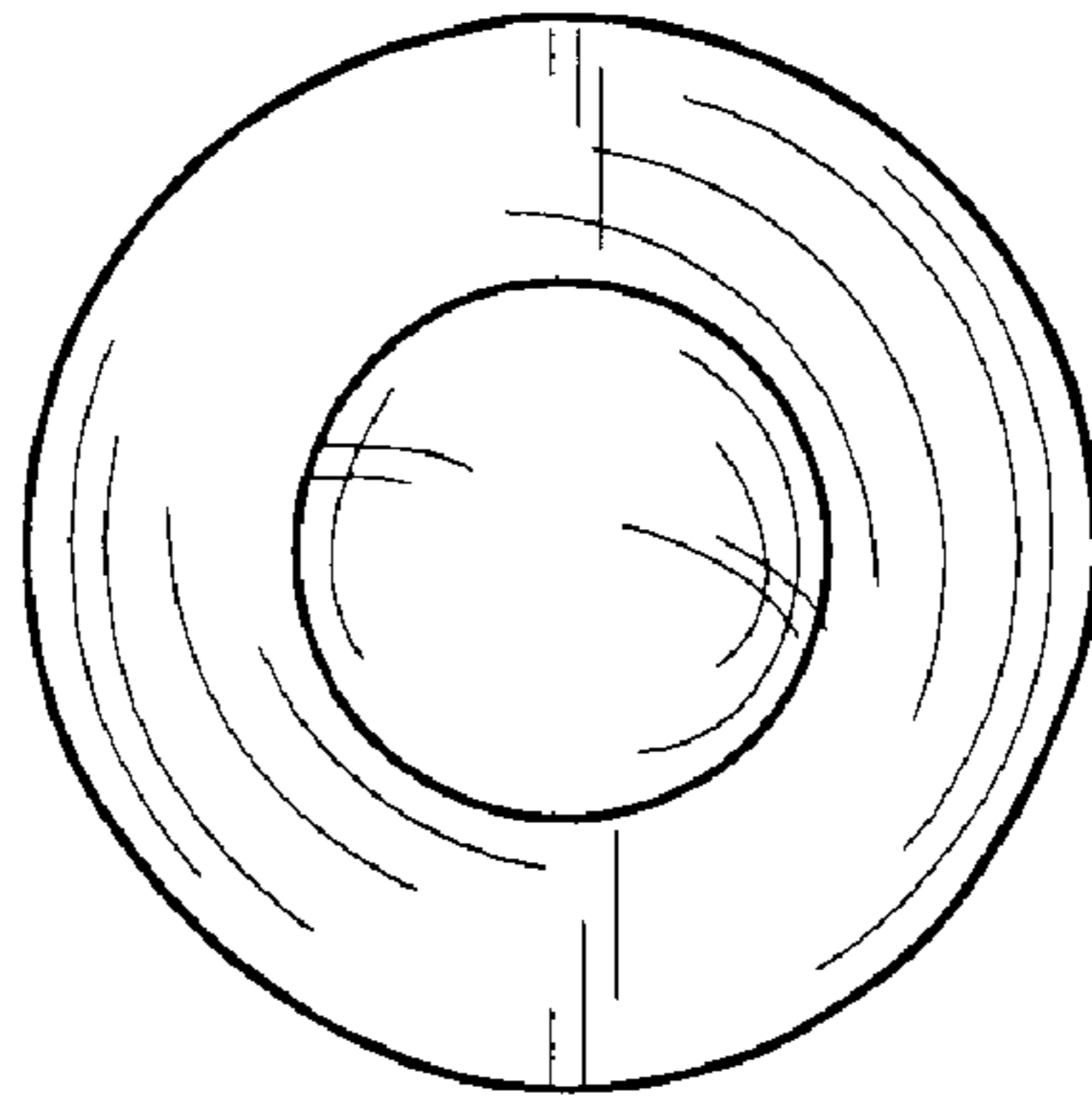
**Fig. 3**



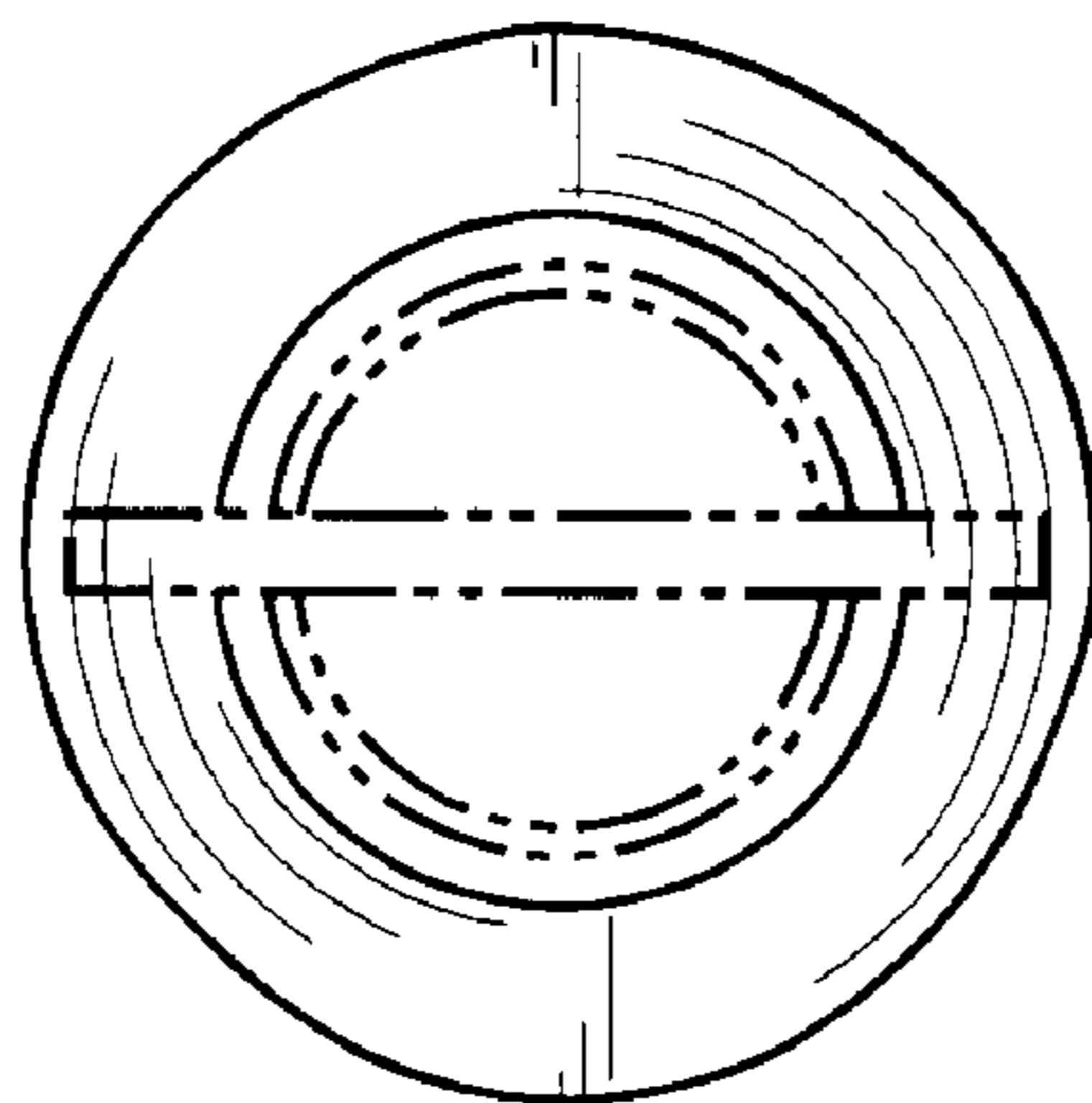
**Fig. 4**



**Fig. 5**



**Fig. 6**



**Fig. 7**