



US00D459894S

(12) **United States Design Patent** (10) **Patent No.:** **US D459,894 S**  
**Blaustein et al.** (45) **Date of Patent:** **\*\* Jul. 9, 2002**

(54) **TELEPHONE TOOTHBRUSH HANDLE**

D408,400 S \* 4/1999 Dalby et al. .... D14/147  
D415,489 S \* 10/1999 Ke ..... D14/147  
D438,386 S \* 3/2001 Enriquez ..... D4/107

(75) Inventors: **Lawrence A. Blaustein**, Moreland Hills; **John R. Nottingham**, Hunting Valley; **John W. Spirk**, Gates Mills; **Patrick W. Brown**, Mantua; **Robert Dorsey**, Columbia Station; **Richard A. Klink**, Olmsted Falls; **Shane Vanderlinden**, South Euclid, all of OH (US)

\* cited by examiner

*Primary Examiner*—Lisa Lichtenstein  
(74) *Attorney, Agent, or Firm*—Fay, Sharpe, Fagan, Minnich & McKee, LLP

(73) Assignee: **The Procter & Gamble Company**, Cincinnati, OH (US)

(57) **CLAIM**

The ornamental design for a telephone toothbrush handle, as shown and described.

(\*\*) Term: **14 Years**

**DESCRIPTION**

(21) Appl. No.: **29/144,936**

FIG. 1 is a front perspective view of a telephone toothbrush handle showing our new design.

(22) Filed: **Jul. 12, 2001**

FIG. 2 is a front elevational view thereof;

(51) **LOC (7) Cl.** ..... **04-02**

FIG. 3 is a left side elevational view thereof;

(52) **U.S. Cl.** ..... **D4/107**

FIG. 4 is a right side elevational view thereof;

(58) **Field of Search** ..... D4/104–112, 101,  
D4/124, 125, 132, 134, 188; 15/143.1,  
159.1, 160, 167.1, 167.2, 186, 187, 191.1,  
192, 193; 132/308; 601/139, 141

FIG. 5 is a back elevational view thereof;

FIG. 6 is a top plan view hereof; and,

FIG. 7 is a bottom plan view thereof.

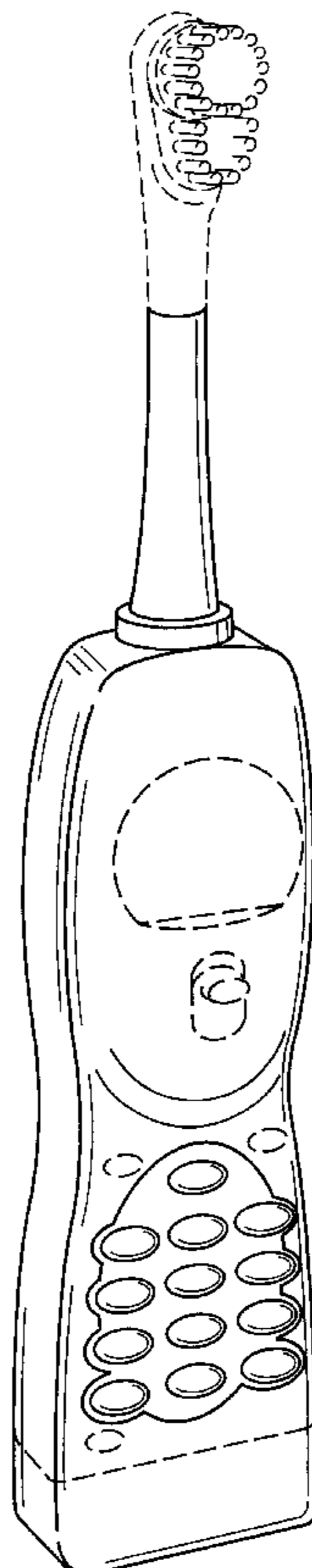
The broken line showing of environmental structure in FIGS. 1–7 is for illustrative purposes only and forms no part of the claimed design.

(56) **References Cited**

**U.S. PATENT DOCUMENTS**

D360,762 S \* 8/1995 Porter ..... D4/107

**1 Claim, 4 Drawing Sheets**



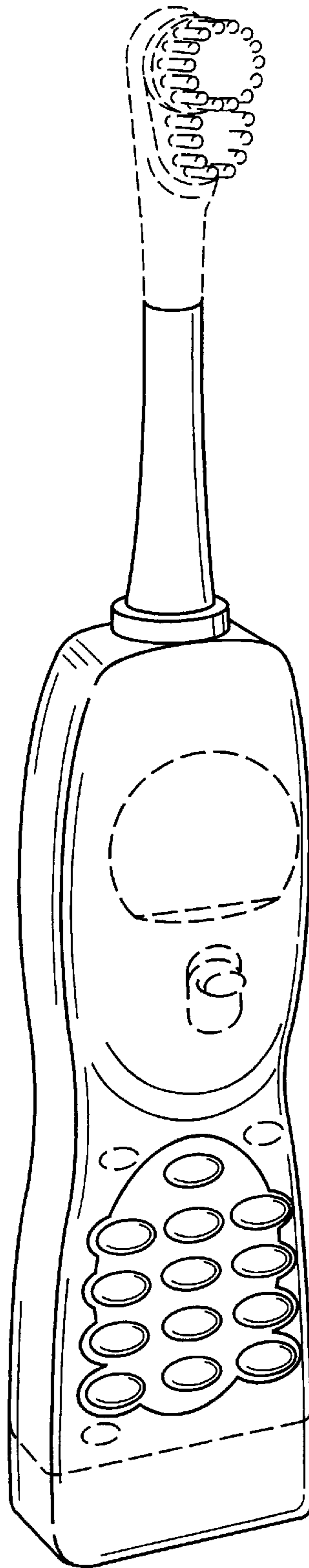


FIG. 1

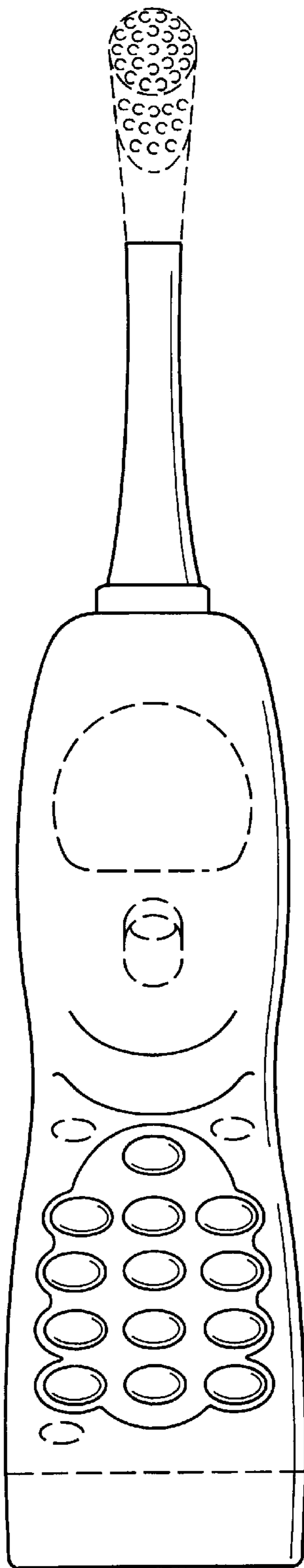


FIG. 2

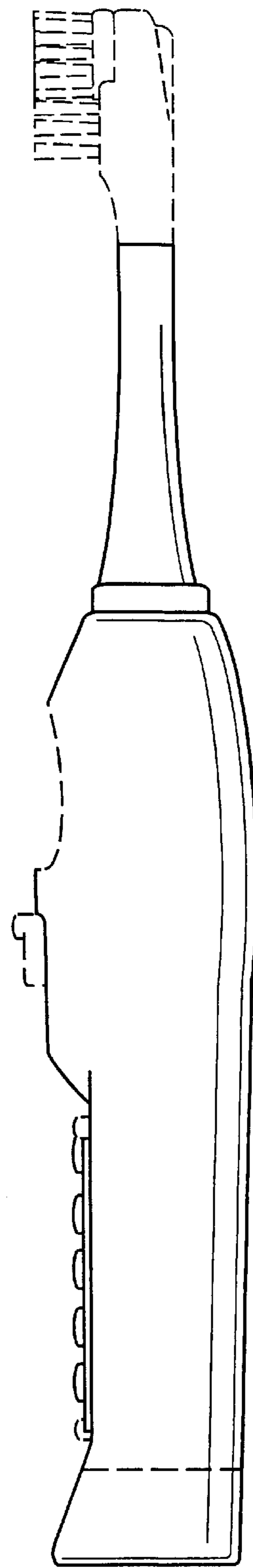


FIG. 3

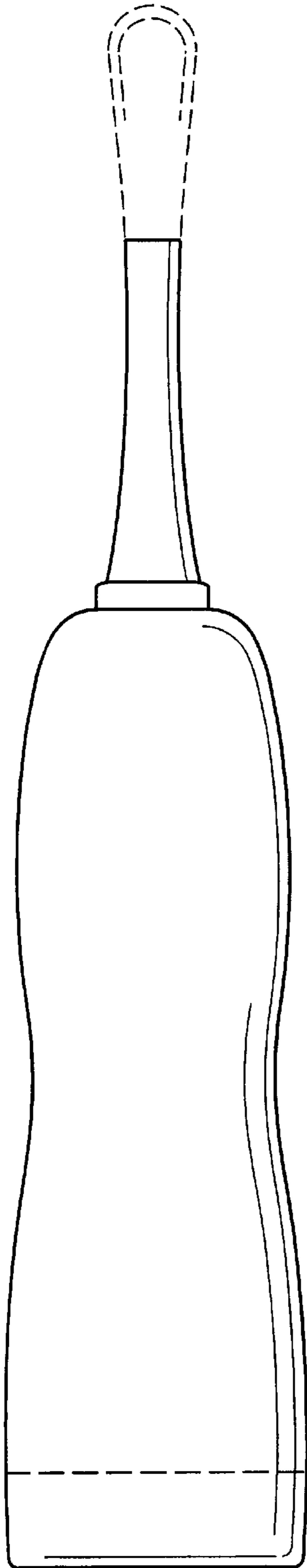


FIG. 5

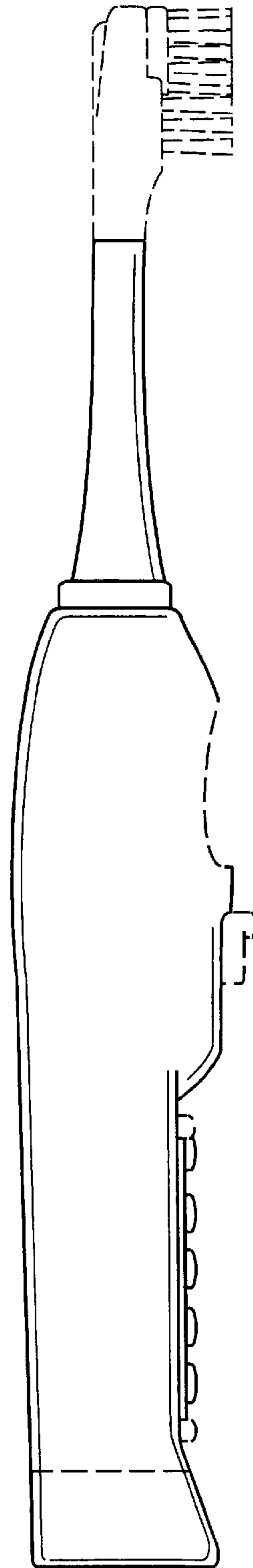


FIG. 4

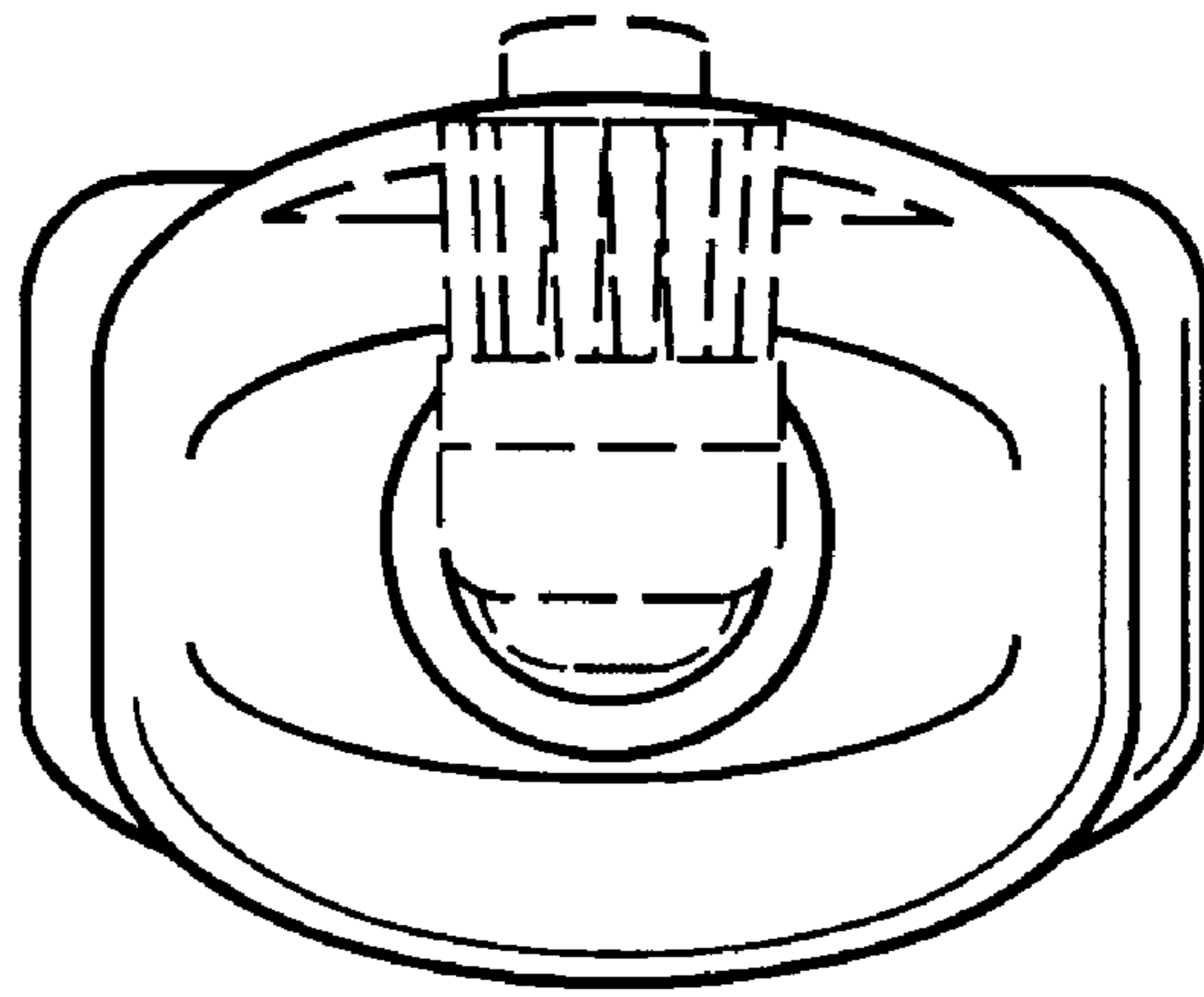


FIG. 6

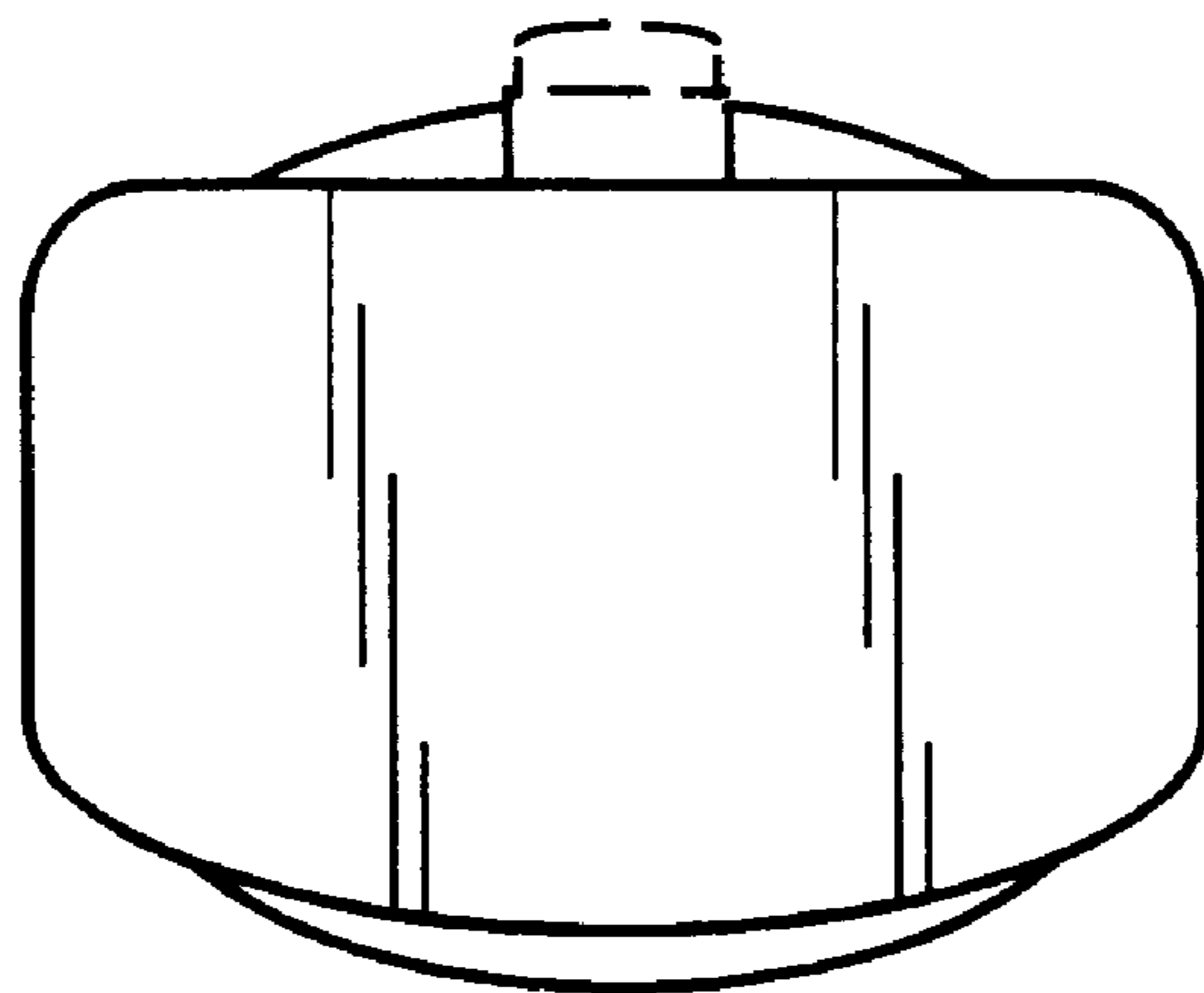


FIG. 7