



US00D459888S

(12) **United States Design Patent**  
**Elvin-Jensen et al.**

(10) **Patent No.:** **US D459,888 S**

(45) **Date of Patent:** **\*\* Jul. 9, 2002**

(54) **MOULDED PLASTIC BULK CONTAINER**

(76) Inventors: **Marc P. Elvin-Jensen**, 129 Owen Stanley Avenue, Allambie Heights, NSW 2100 (AU); **Gavin J. Elvin-Jensen**, 3 Turquoise Way, Noordhoeck, Cape Town 7985 (ZA)

(\*\*) Term: **14 Years**

(21) Appl. No.: **29/143,293**

(22) Filed: **Jun. 11, 2001**

**Related U.S. Application Data**

(63) Continuation of application No. 09/734,437, filed on Dec. 11, 2000.

(51) **LOC (7) Cl.** ..... **03-01**

(52) **U.S. Cl.** ..... **D3/304**

(58) **Field of Search** ..... D3/304, 305, 307-309, D3/311, 313; 220/1.5, 660, 4.26, 669, 675, DIG. 13, DIG. 12, DIG. 14; 206/503, 505, 509, 514-516, 511

(56) **References Cited**

**U.S. PATENT DOCUMENTS**

3,303,965 A	2/1967	Parker et al.	206/512
3,331,529 A *	7/1967	Slapnik	206/511
4,042,111 A *	8/1977	Smith	206/511
D246,871 S *	1/1978	Silver et al.	D3/313
4,917,246 A	4/1990	Edelhoff	220/1.5

5,201,432 A	4/1993	Elvin-Jensen	220/1.5
5,439,113 A *	8/1995	Elvin-Jensen	206/509
5,456,357 A *	10/1995	Wenner et al.	206/514
5,460,292 A *	10/1995	Holman	220/675
5,680,955 A	10/1997	Schutz	220/1.5
5,836,472 A	11/1998	Vavra et al.	220/1.5
6,079,580 A	6/2000	Garton et al.	220/1.5

\* cited by examiner

*Primary Examiner*—Louis S. Zarfaz

*Assistant Examiner*—Deanne Levy

(74) *Attorney, Agent, or Firm*—Testa, Hurwitz & Thibeault, LLP

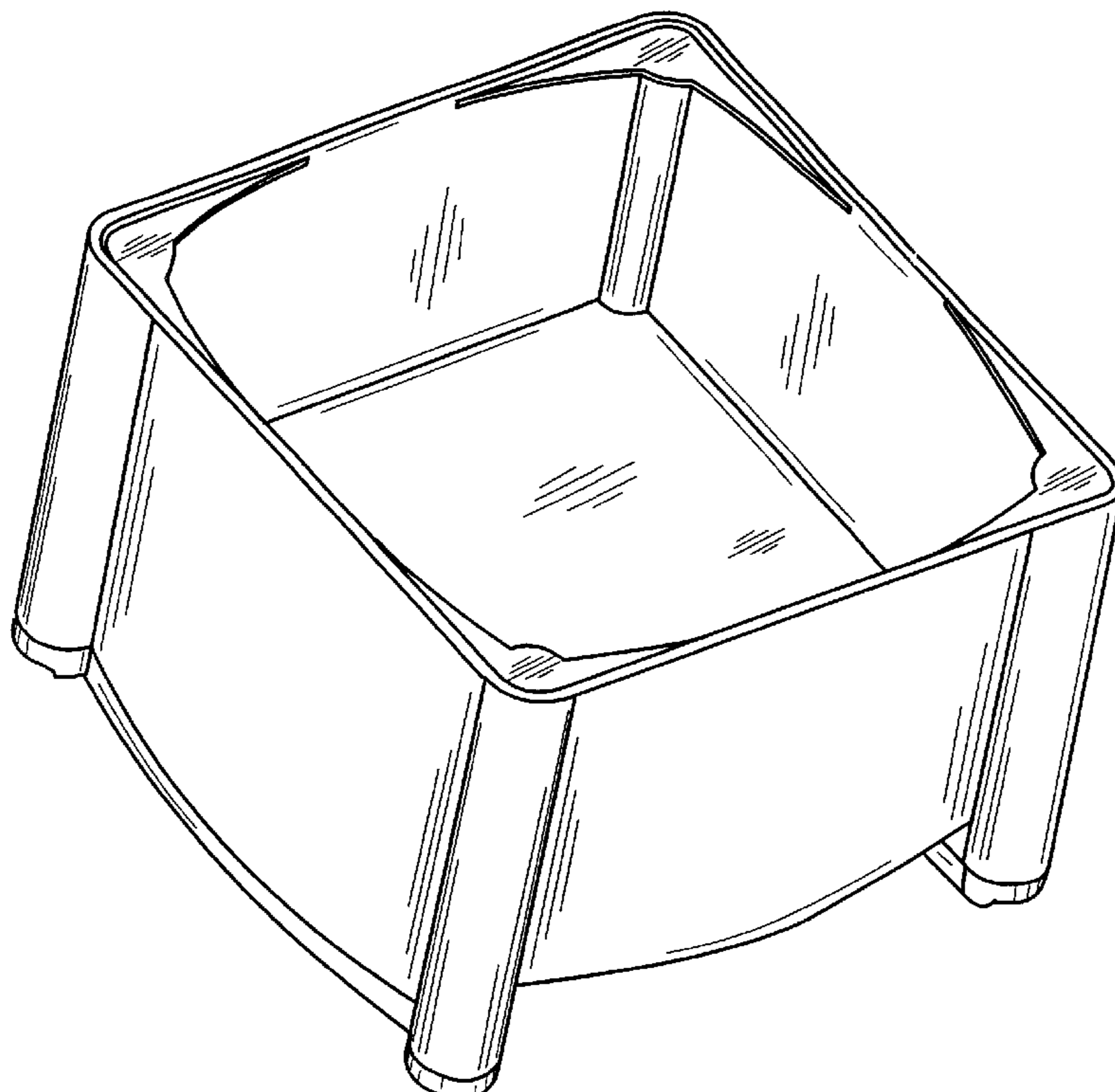
(57) **CLAIM**

The ornamental design for a moulded plastic bulk container, as shown and described.

**DESCRIPTION**

FIG. 1 is a top perspective view of an embodiment of a moulded plastic bulk container;  
FIG. 2 is a bottom perspective view of an embodiment of a moulded plastic bulk container;  
FIG. 3 is a side view of the embodiment of FIG. 1;  
FIG. 4 is a front view of the embodiment of FIG. 1;  
FIG. 5 is a top view of the embodiment of FIG. 1; and,  
FIG. 6 is a bottom view of the embodiment of FIG. 1.  
The portion of the article shown in broken lines throughout the views is for illustrative purposes only and does not form an integral part of the disclosed and claimed design.

**1 Claim, 3 Drawing Sheets**



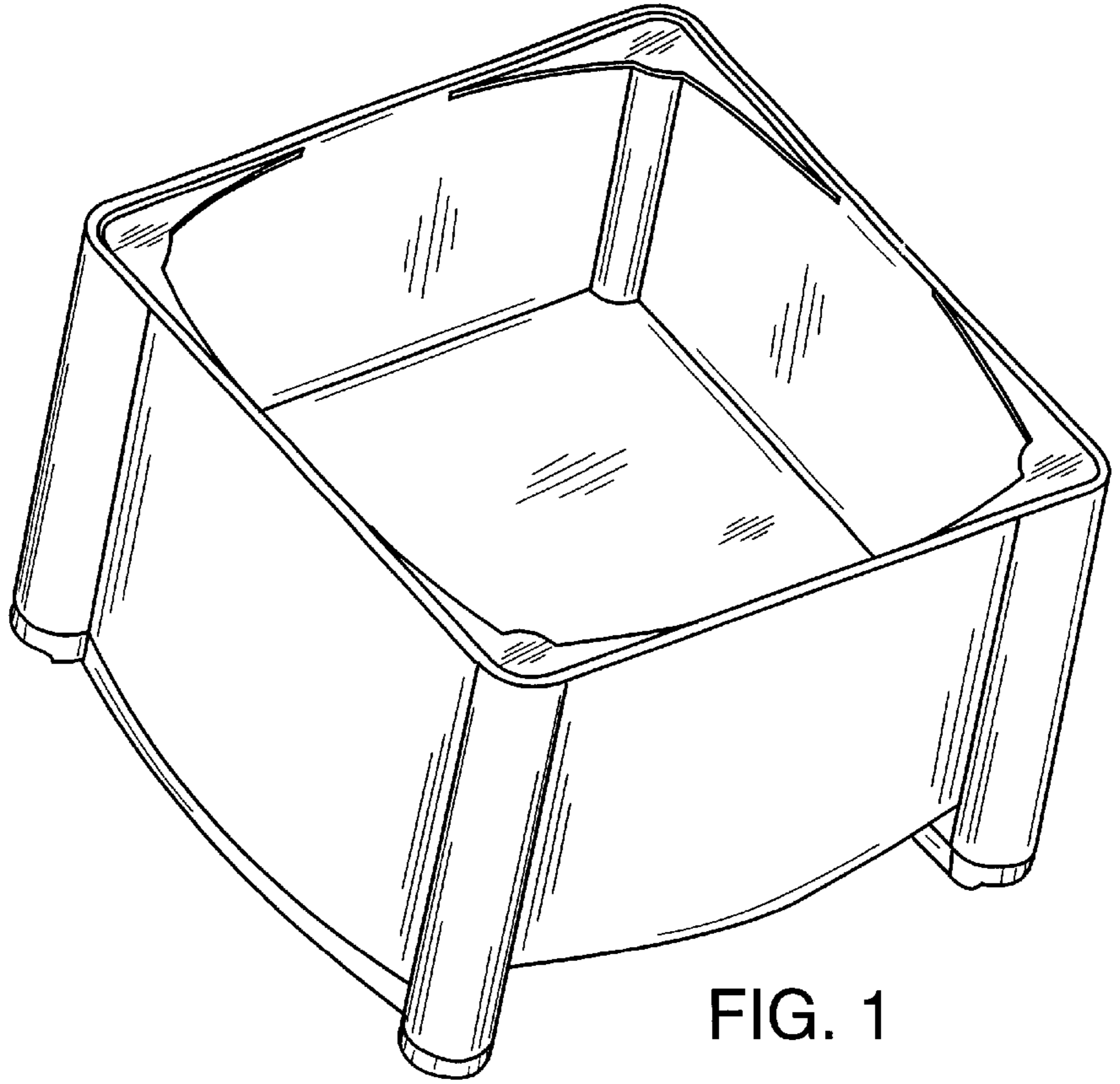


FIG. 1

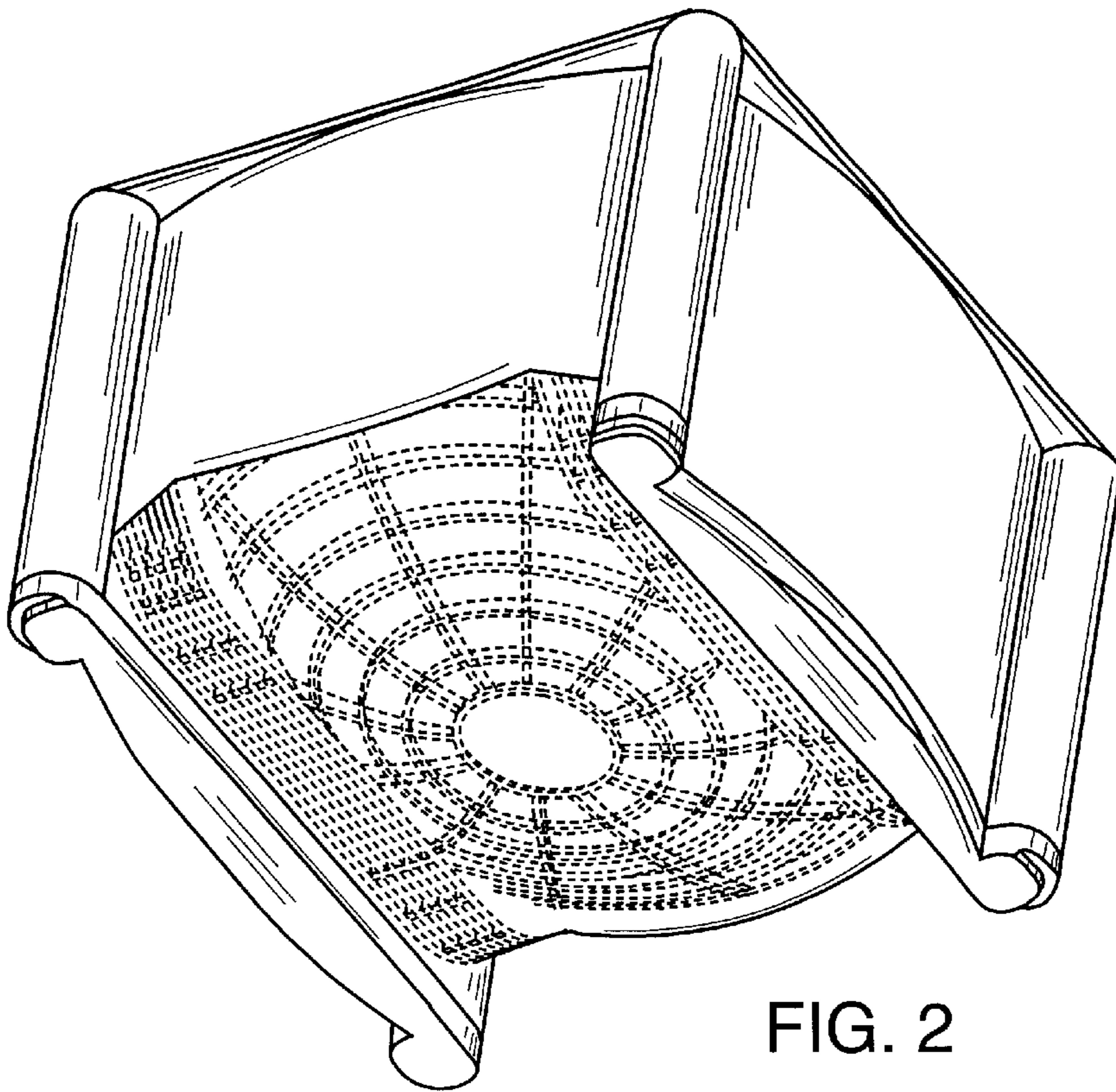


FIG. 2

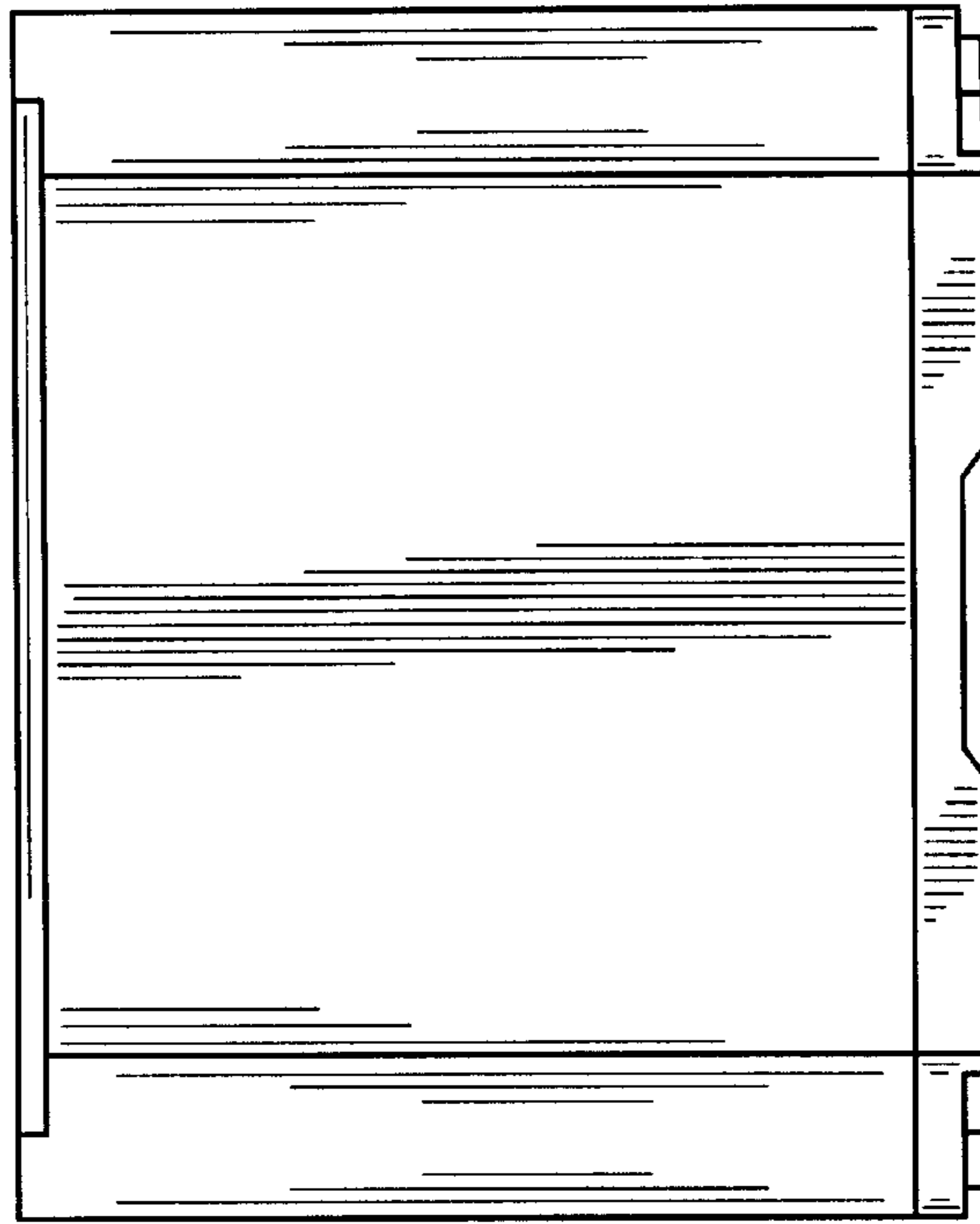


FIG. 4

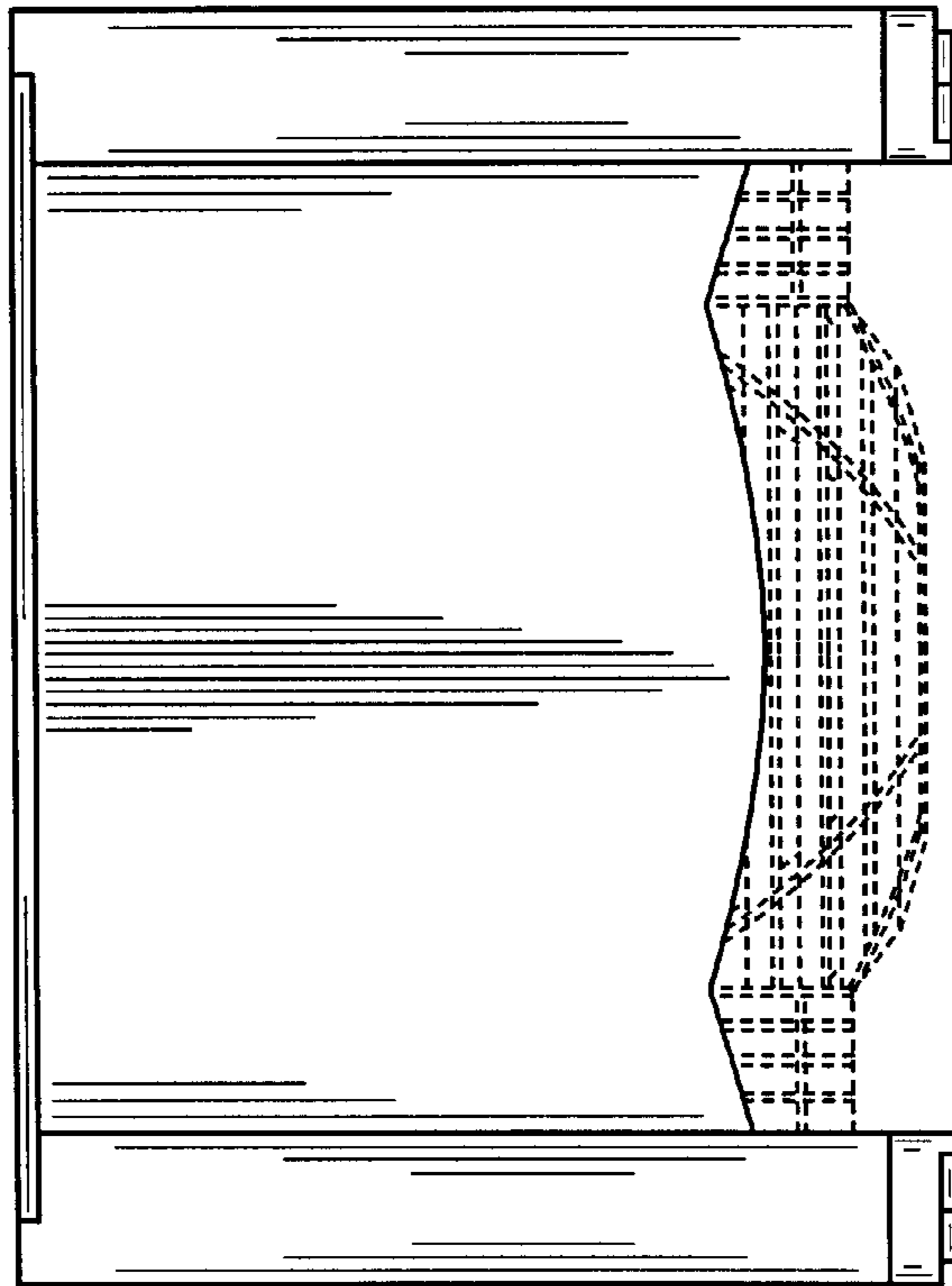


FIG. 3

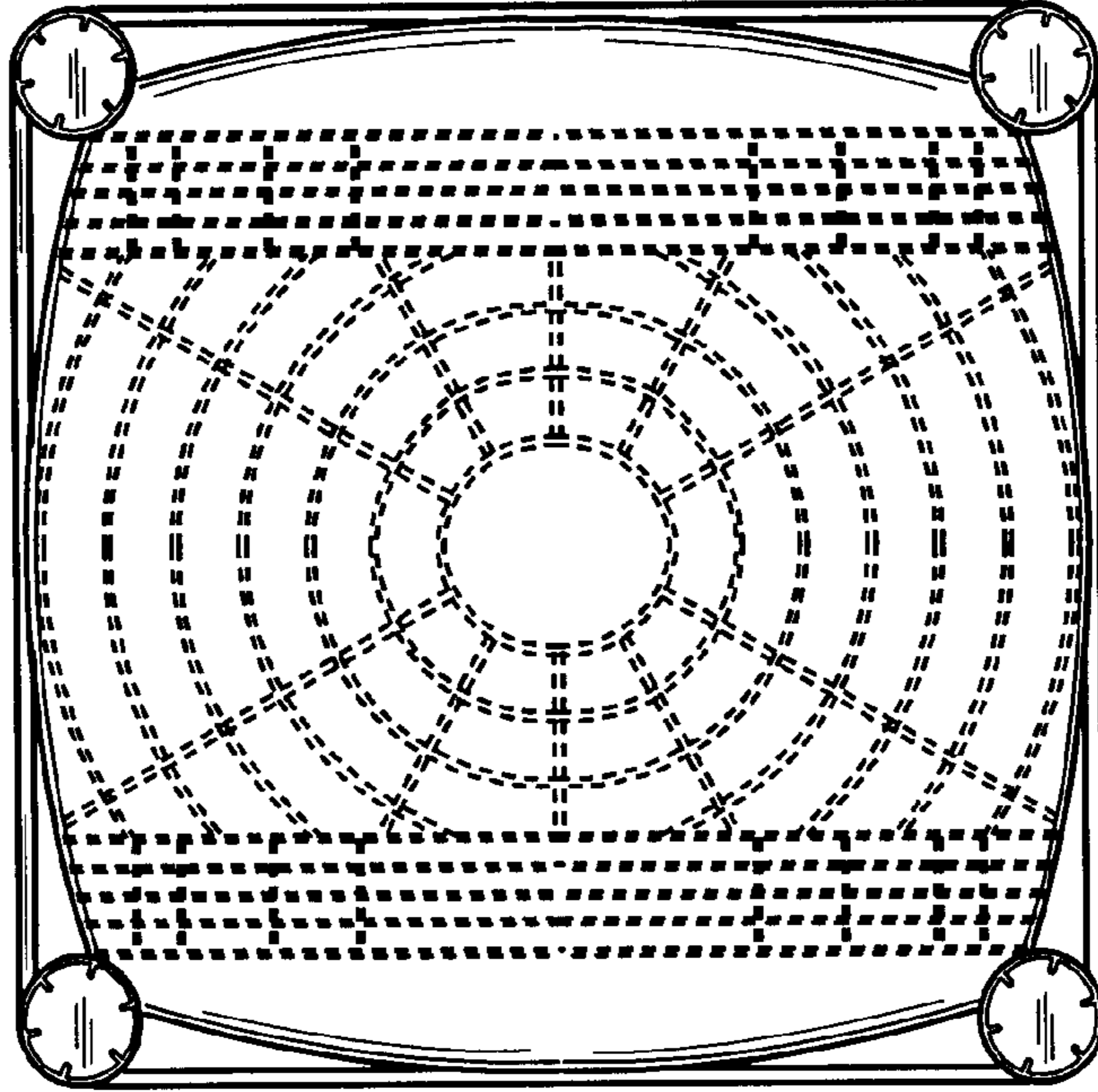


FIG. 5

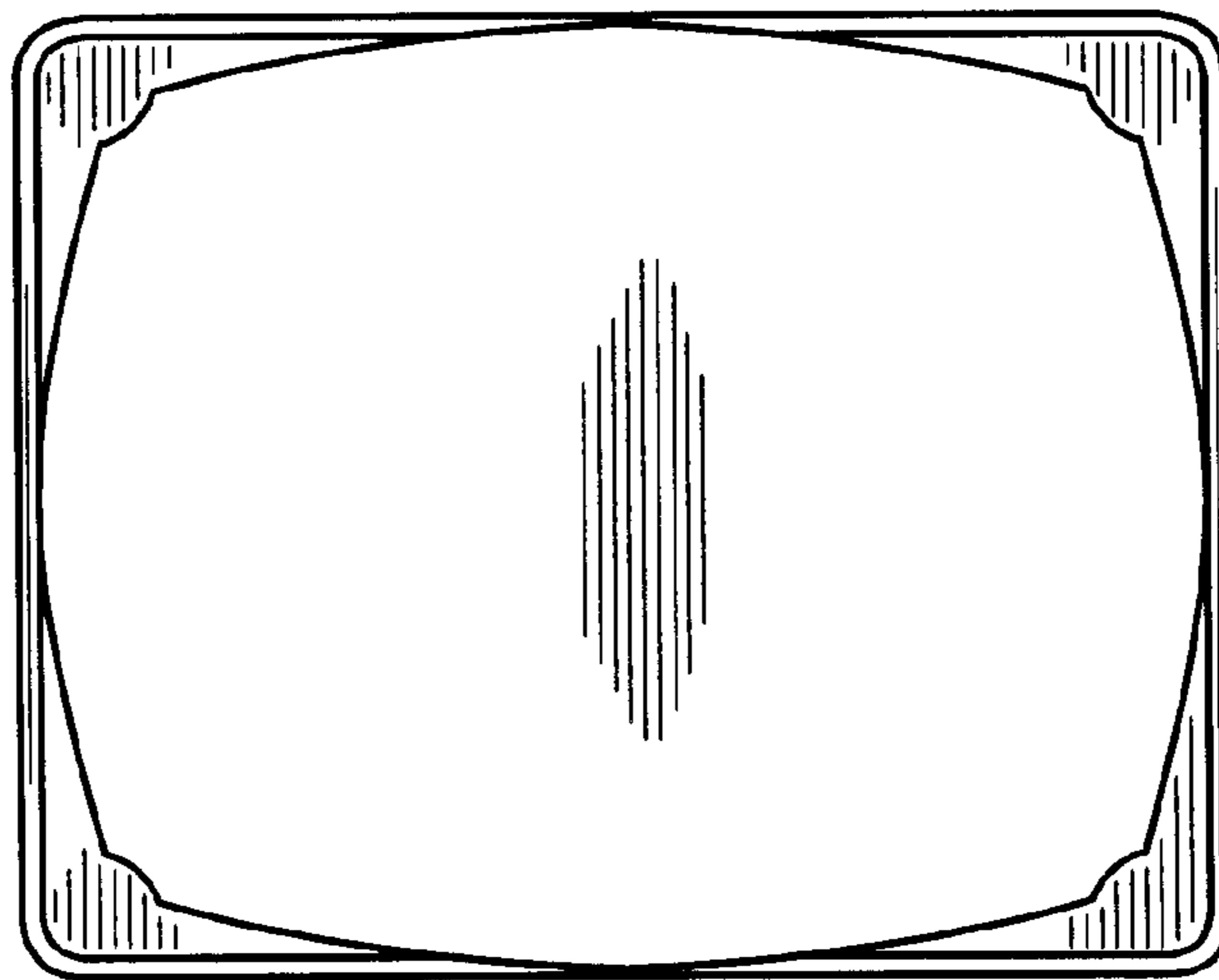


FIG. 6