



US00D459887S

(12) **United States Design Patent**  
**Johnson**

(10) **Patent No.:** **US D459,887 S**

(45) **Date of Patent:** **\*\* Jul. 9, 2002**

(54) **TRANSPORT CASE FOR PORTABLE EXPANDING FILE FOLDERS**

(75) **Inventor:** **Lynne B. Johnson**, County of St. Louis, MO (US)

(73) **Assignee:** **Cardinal Brands, Inc.**, St. Louis, MO (US)

(\*\*) **Term:** **14 Years**

(21) **Appl. No.:** **29/155,507**

(22) **Filed:** **Feb. 11, 2002**

**Related U.S. Application Data**

(63) Continuation of application No. 10/054,198, filed on Jan. 22, 2002, which is a continuation of application No. 09/921,974, filed on Aug. 3, 2001, now Pat. No. 6,364,110.

(60) Provisional application No. 60/222,571, filed on Aug. 3, 2000.

(51) **LOC (7) Cl.** ..... **03-01**

(52) **U.S. Cl.** ..... **D3/303; D3/900; D3/902**

(58) **Field of Search** ..... **D3/232, 233, 303, D3/900, 902; D19/26, 75, 78, 86, 92; 150/100, 149, 900; 190/11, 109, 111-114, 119, 900-903; 206/311, 425; 229/67.3, 67.4**

(56) **References Cited**

**U.S. PATENT DOCUMENTS**

329,676 A	11/1885	Reade	
382,716 A	5/1888	Matthews	
635,582 A	10/1899	Pedrick	
821,019 A	5/1906	Cooke, Jr.	
1,842,077 A	1/1932	Doughty	
1,983,036 A	* 12/1934	Kaufmann	190/901
2,053,695 A	* 9/1936	Buxton	190/109
3,123,190 A	3/1964	Lifton	
3,263,779 A	8/1966	Bialer	
3,543,825 A	12/1970	Dobbs	
D243,974 S	4/1977	Tracy	
4,263,951 A	4/1981	Siegel	
4,265,286 A	5/1981	Rapoport	
D278,858 S	5/1985	Katz et al.	

D278,859 S	5/1985	Katz et al.
4,730,727 A	3/1988	Petroff
4,754,790 A	7/1988	Meyers
D299,791 S	2/1989	Bishop
4,936,454 A	6/1990	Wang
D312,351 S	11/1990	Bishop
4,974,652 A	12/1990	Lemler
4,988,038 A	1/1991	Mitsuyama
5,064,069 A	11/1991	Su
D323,934 S	2/1992	Prat
D335,958 S	6/1993	Peersmann
D340,133 S	10/1993	Hayes-Pankhurst et al.

(List continued on next page.)

*Primary Examiner*—Louis S. Zarfaz

*Assistant Examiner*—Monica A. Weingart

(74) *Attorney, Agent, or Firm*—Lewis, Rice & Fingersh, L.C.

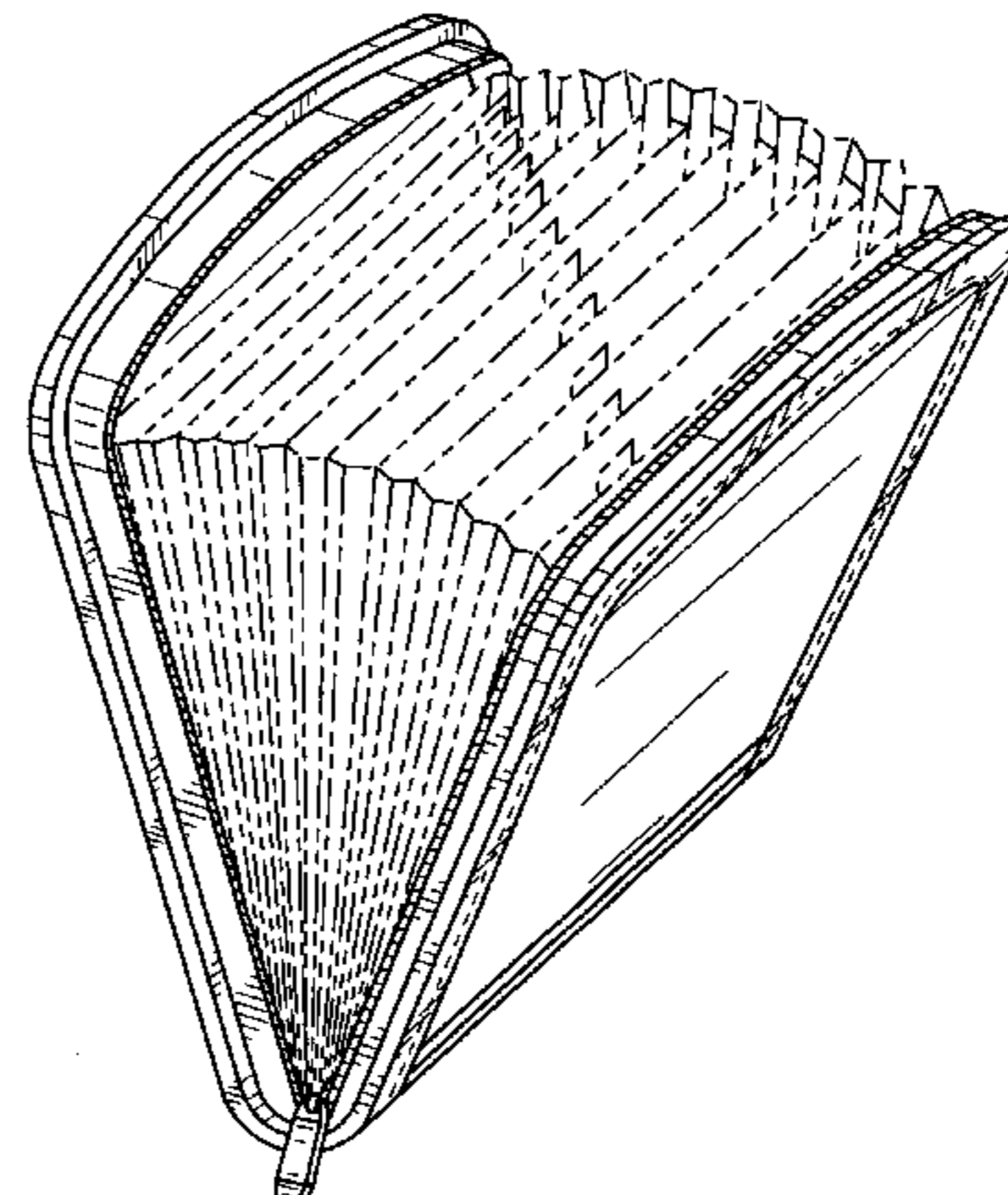
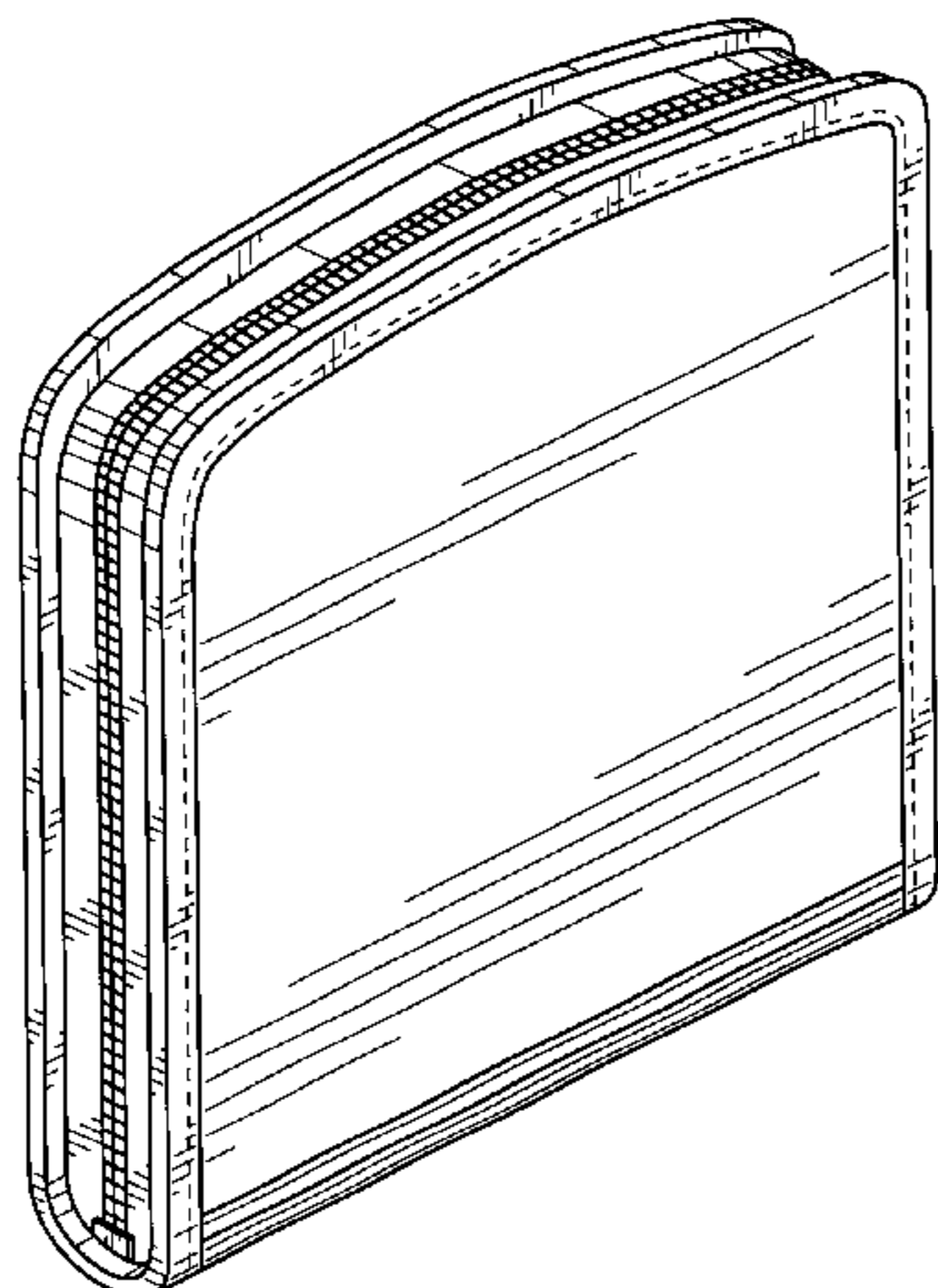
(57) **CLAIM**

The ornamental design of a transport case for portable expanding file folders, as shown and described.

**DESCRIPTION**

FIG. 1 provides a perspective view of the transport case for portable expanding file folders when in a closed position. FIG. 2 provides a front cover elevational view of the transport case for portable expanding file folders. FIG. 3 provides a rear cover elevational view of the transport case for portable expanding file folders. FIG. 4 provides a top edge plan view of the transport case for portable expanding file folders in a closed position. FIG. 5 provides a spine (bottom) edge plan view of the transport case for portable expanding file folders. FIG. 6 provides a left side edge plan view of the transport case for portable expanding file folders in a closed position. FIG. 7 provides a right side edge plan view of the transport case for portable expanding file folders in a closed position; and, FIG. 8 provides a perspective view of the transport case for portable expanding file folders when in an open position. The broken lines define a file folder of the type which can be placed within the design and form no part of the claimed design.

**1 Claim, 6 Drawing Sheets**



# US D459,887 S

Page 2

---

U.S. PATENT DOCUMENTS			
5,271,502 A	12/1993	Chang	
D346,403 S	4/1994	Ros	
D346,404 S	4/1994	Ros	
D352,604 S	11/1994	Johnson	
5,630,509 A	5/1997	Su	
5,664,724 A	9/1997	Ho	
5,695,054 A	* 12/1997	Weisburn et al. ....	206/311 X
D406,697 S	3/1999	Moor	
D407,432 S	* 3/1999	Tell .....	D3/303 X
D412,936 S	* 8/1999	Hodes .....	D19/26
5,947,279 A	9/1999	Lee et al.	
D421,526 S	3/2000	Issacson	
D424,615 S	5/2000	Wyant	
D424,804 S	5/2000	Issacson	
D435,863 S	1/2001	Eskandry	
D449,166 S	10/2001	Shapiro	
D449,645 S	* 10/2001	Gung .....	D19/26

\* cited by examiner

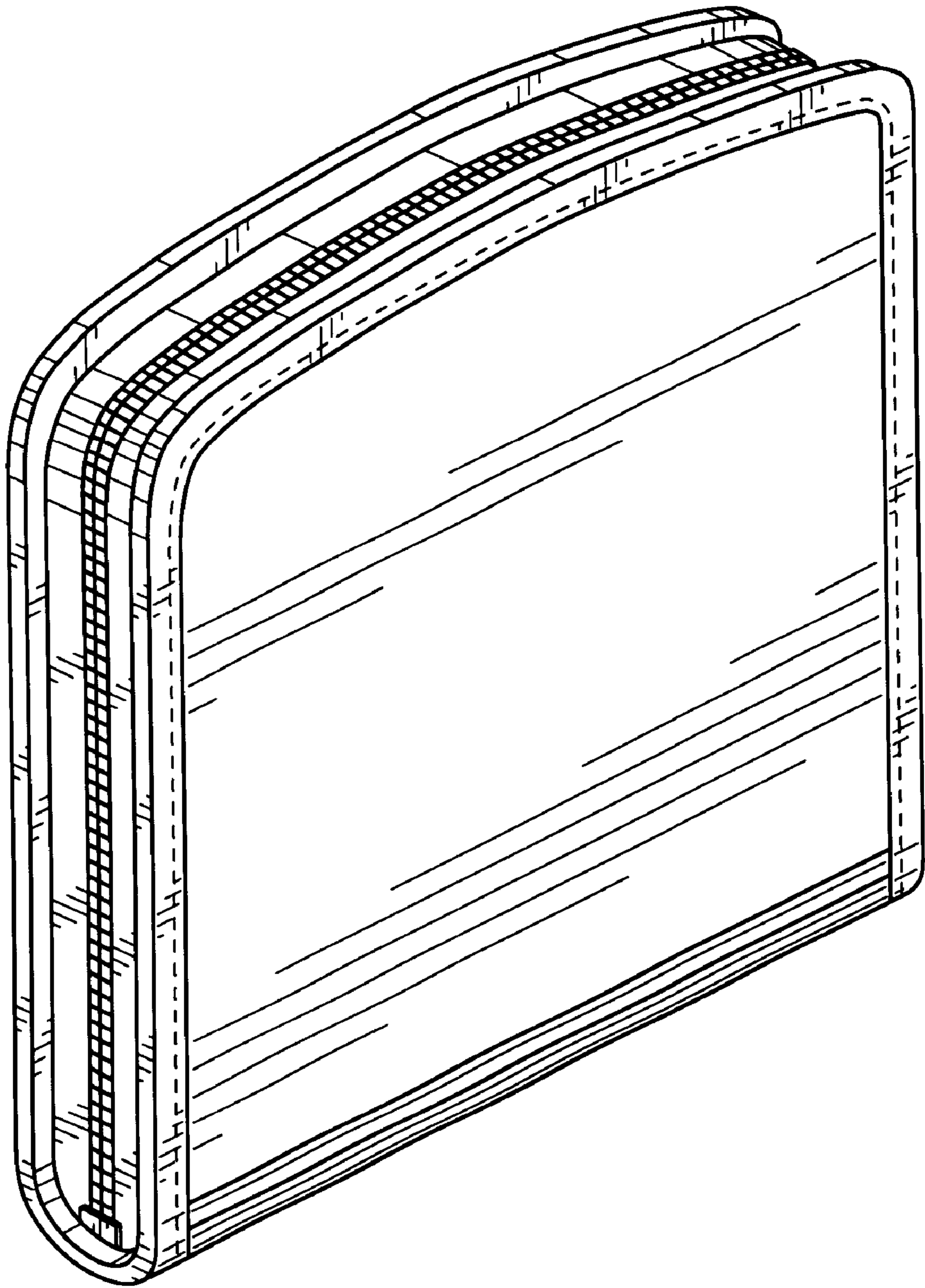


FIG. 1

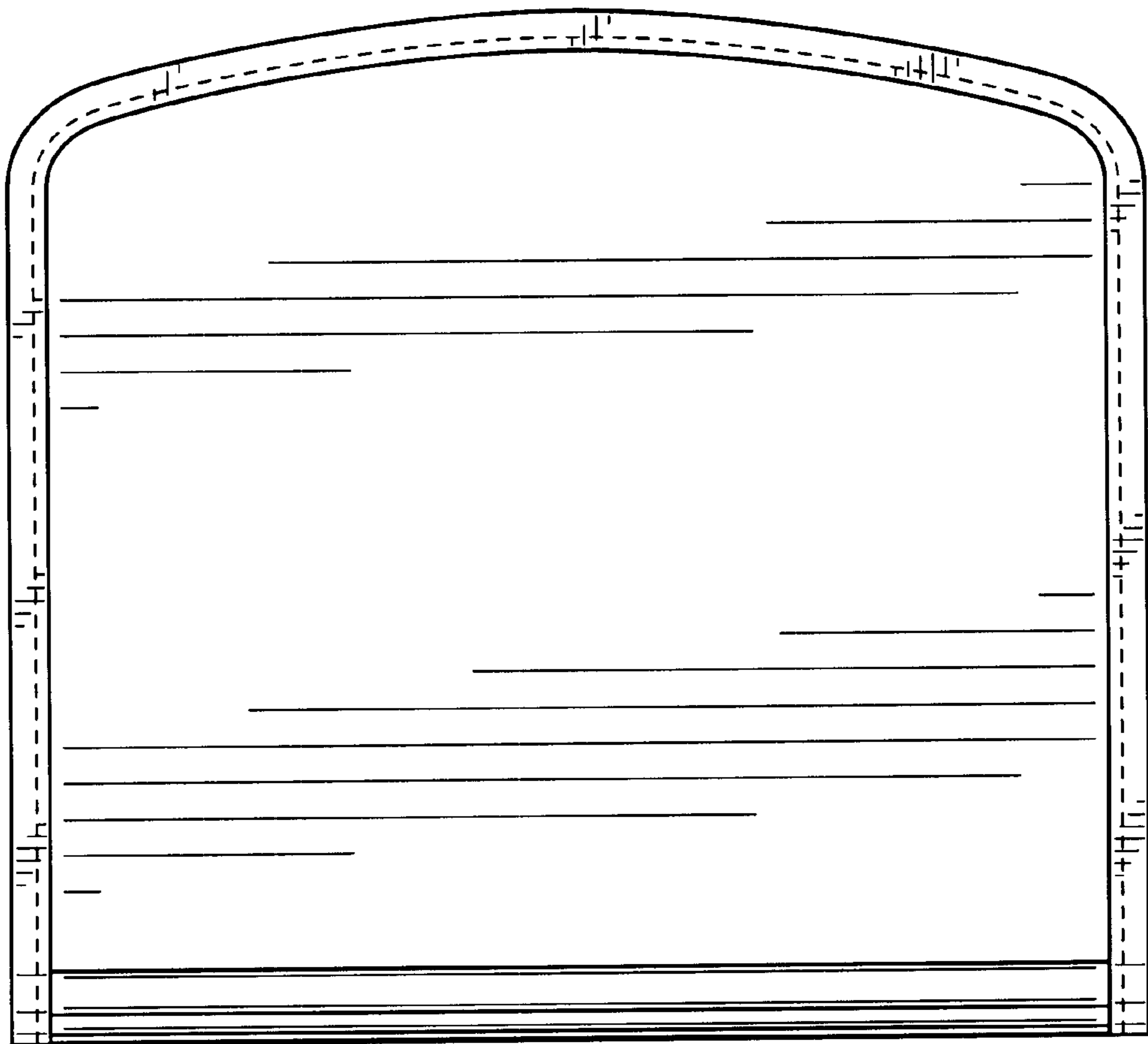


FIG. 2

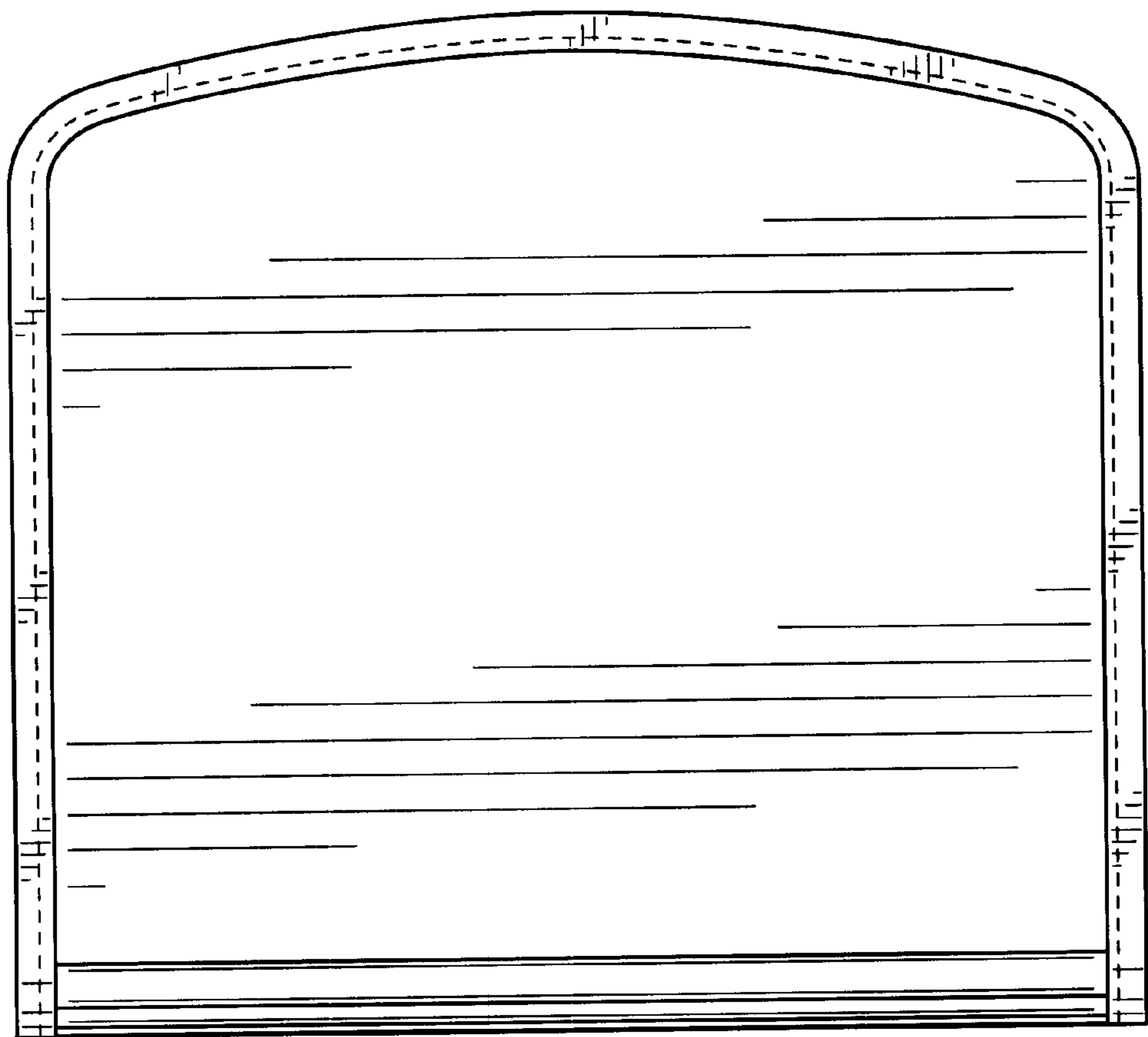


FIG. 3

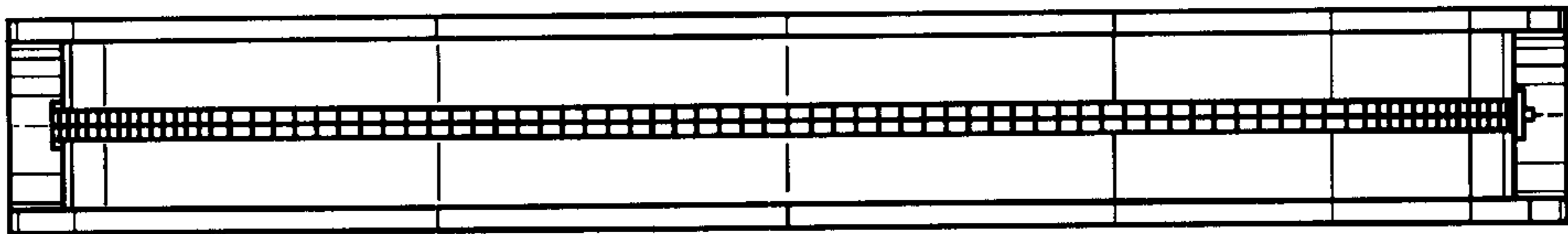


FIG. 4

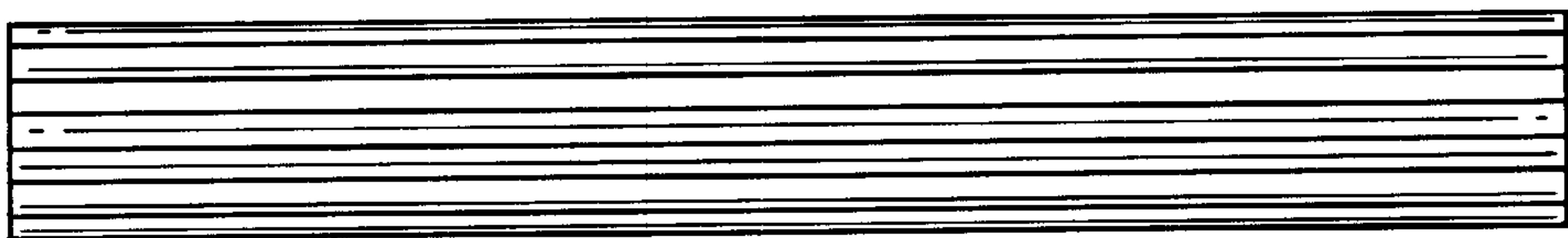


FIG. 5

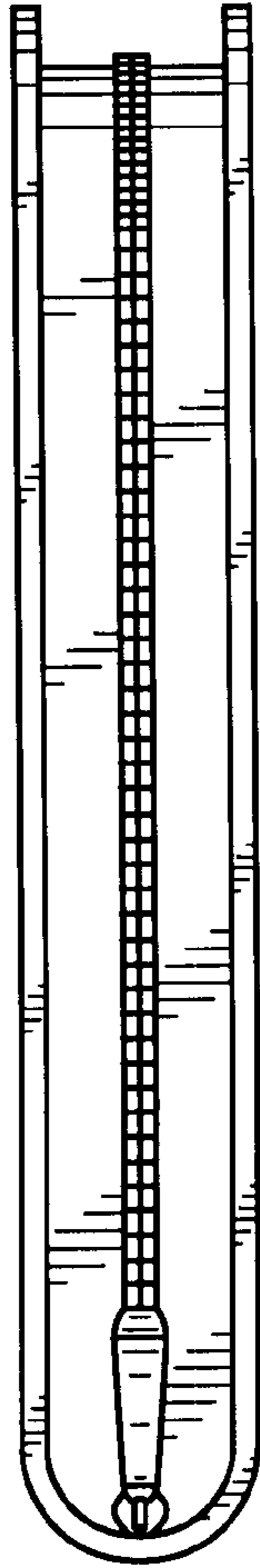


FIG. 6

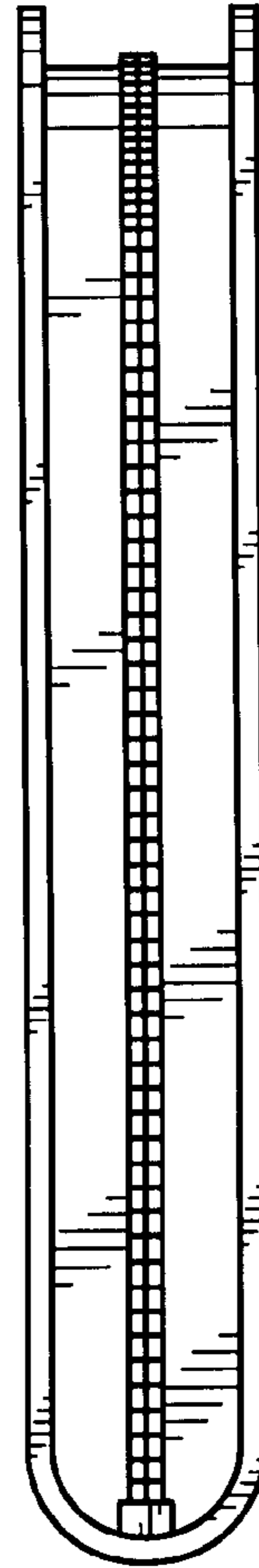


FIG. 7

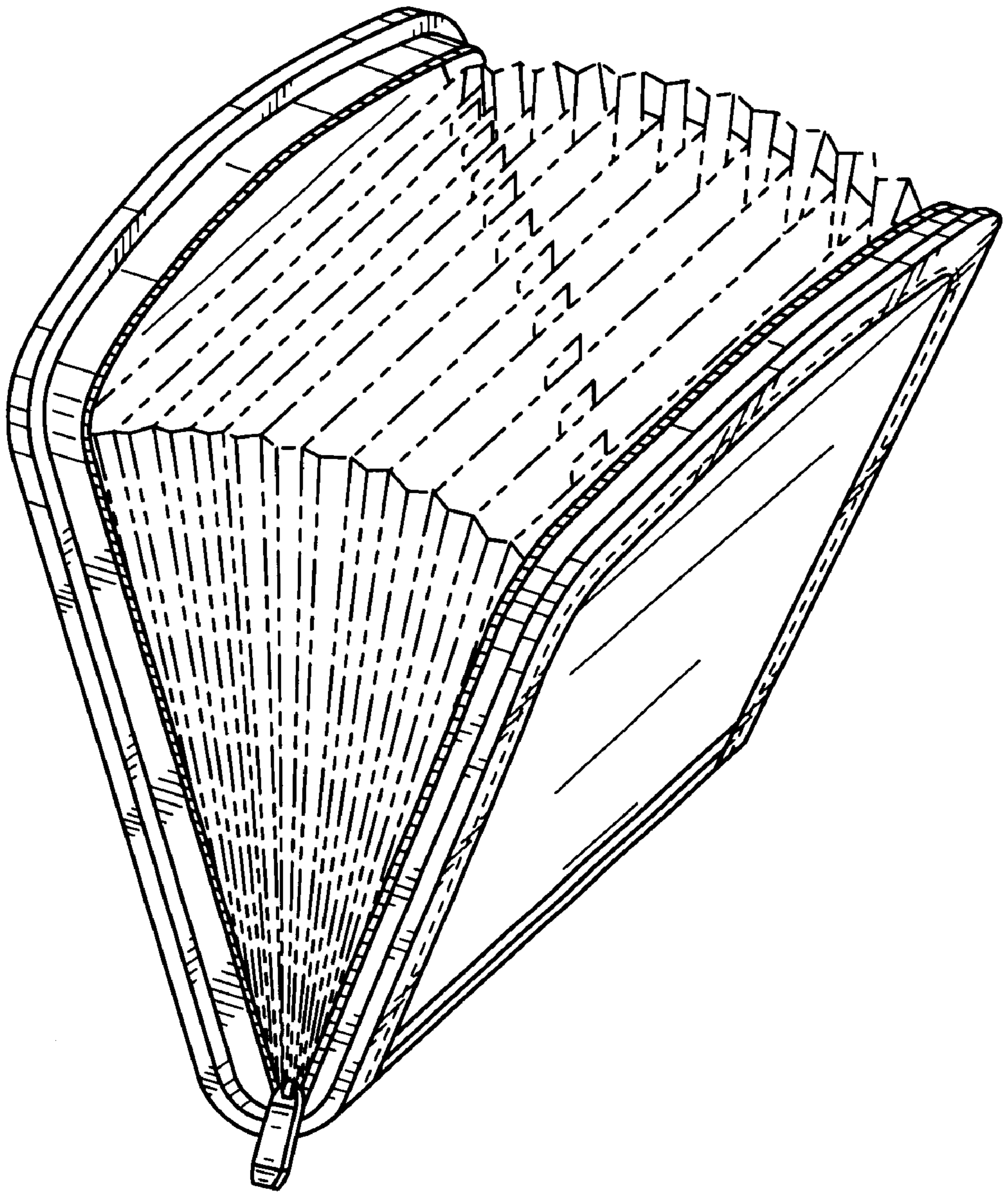


FIG. 8