



US00D459886S

(12) **United States Design Patent**
Jones

(10) **Patent No.:** **US D459,886 S**

(45) **Date of Patent:** **** Jul. 9, 2002**

(54) **CONTAINER**

(75) Inventor: **Richard Jones**, Docklands (GB)

(73) Assignee: **Feref Ltd.** (GB)

(**) Term: **14 Years**

(21) Appl. No.: **29/149,052**

(22) Filed: **Oct. 3, 2001**

(30) **Foreign Application Priority Data**

Apr. 3, 2001 (GB) 2100816

(51) **LOC (7) Cl.** **03-01**

(52) **U.S. Cl.** **D3/294**

(58) **Field of Search** D3/272, 273, 294,
D3/302; D9/420, 423, 424; 206/503, 508;
220/337, 339, 376, 380

(56) **References Cited**

U.S. PATENT DOCUMENTS

- D255,038 S * 5/1980 Itakura D21/385
- D291,558 S * 8/1987 Fonville D3/272
- D294,776 S * 3/1988 Gander et al. D3/282
- D311,549 S * 10/1990 Battisti D19/26

- D346,825 S * 5/1994 Ros D19/27
- D412,786 S * 8/1999 Killinger D3/273
- D435,591 S * 12/2000 Wyant D19/26
- D436,314 S * 1/2001 Hansen D9/422

* cited by examiner

Primary Examiner—Philip S. Hyder

(74) *Attorney, Agent, or Firm*—Hoffman, Wasson & Gitler

(57) **CLAIM**

The ornamental design for a container, as shown and described.

DESCRIPTION

FIG. 1 is a front perspective view of the container in the closed position;
 FIG. 2 is a front perspective view of the container in the opened position;
 FIG. 3 is an exploded view of the container;
 FIG. 4 is a top view of the container;
 FIG. 5 is a bottom view of the container;
 FIG. 6 is a right side view of the container;
 FIG. 7 is a left side view of the container;
 FIG. 8 is a front side view of the container; and,
 FIG. 9 is a rear side view of the container.

1 Claim, 5 Drawing Sheets

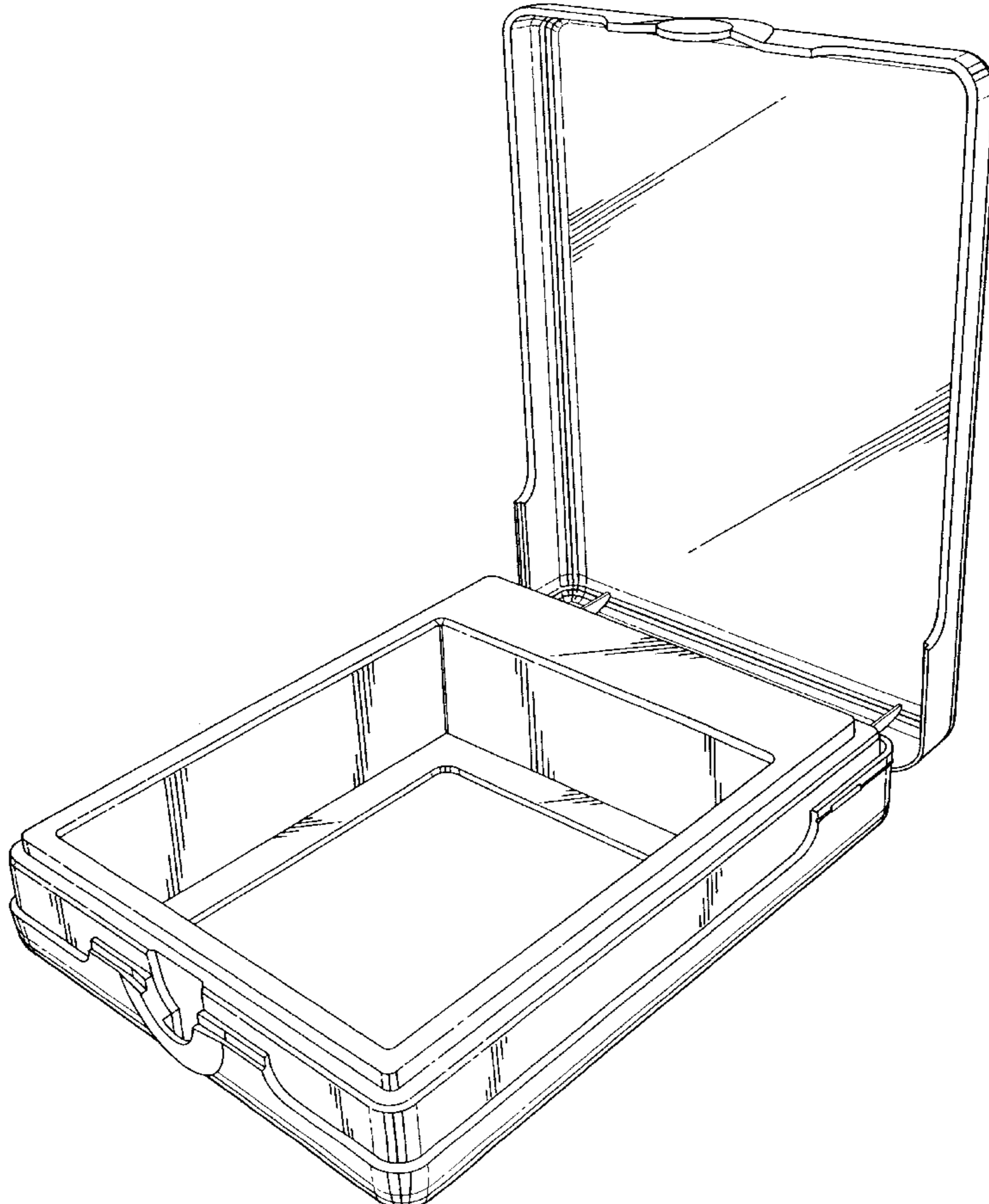


FIG. 1

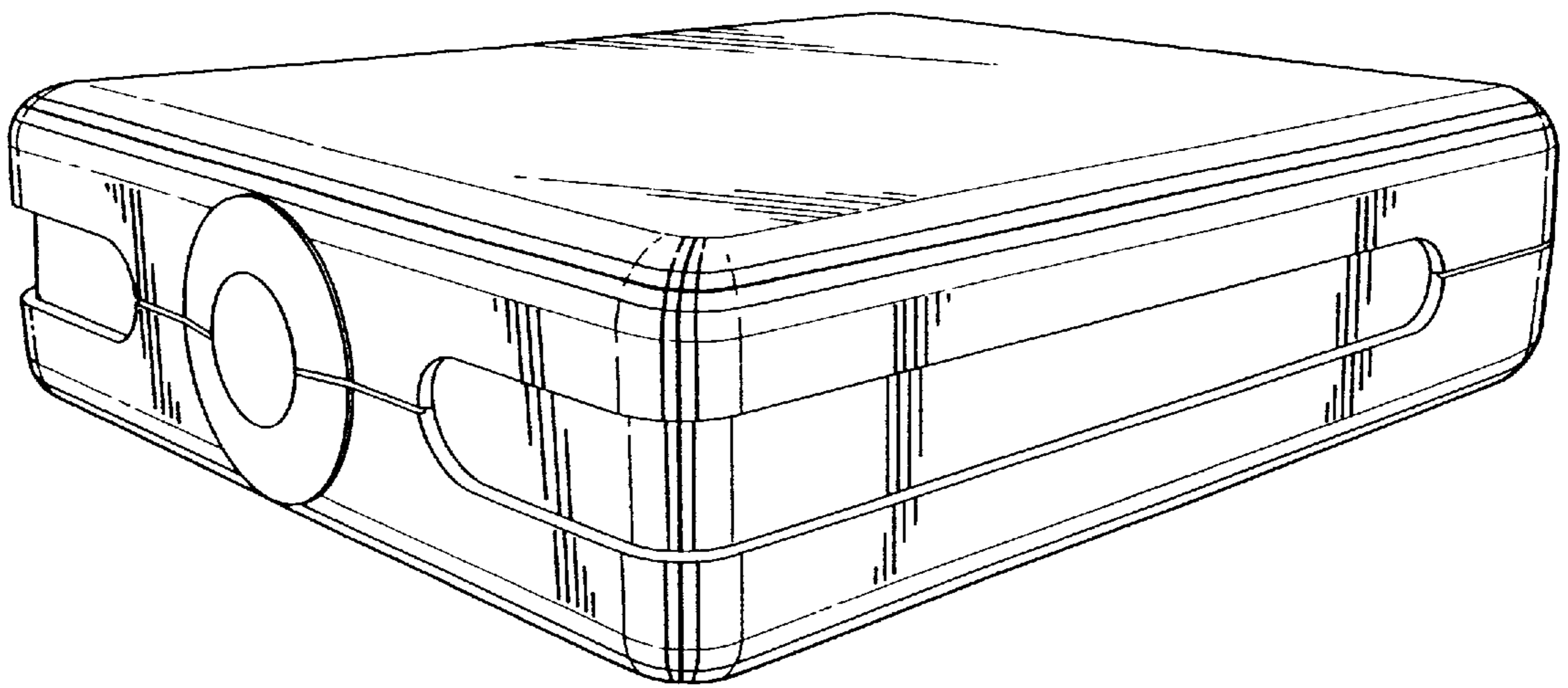
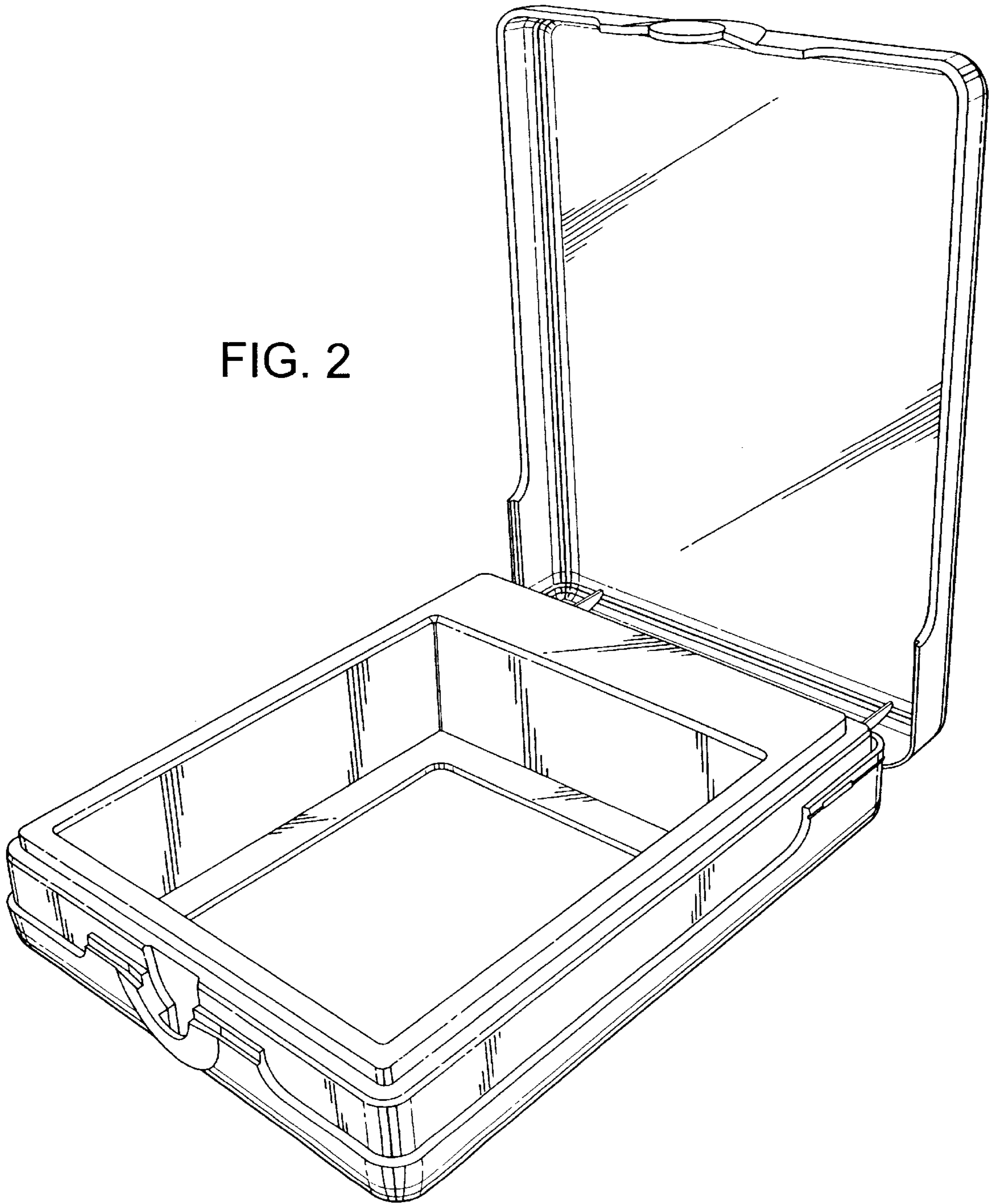


FIG. 2



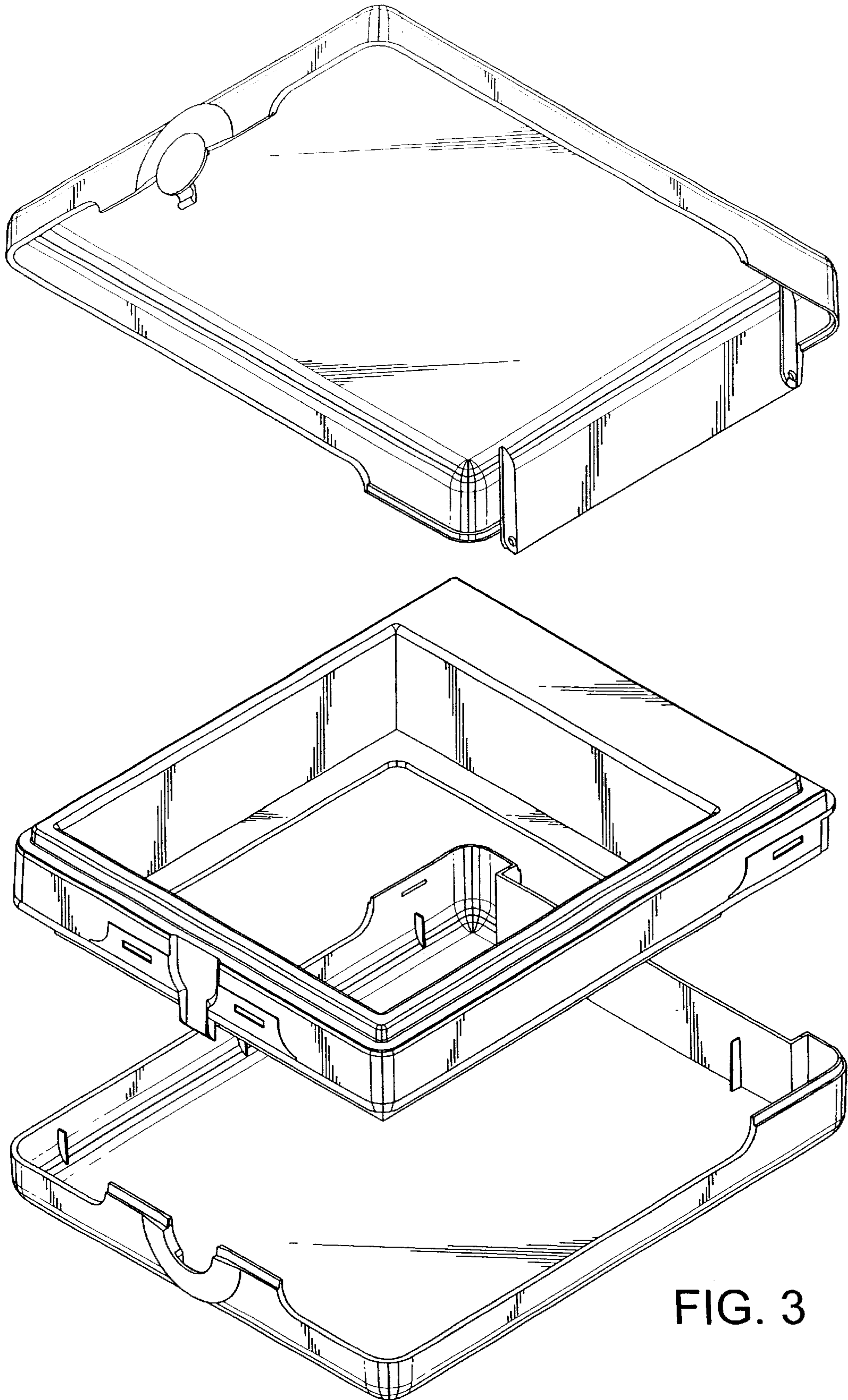


FIG. 3

FIG. 4

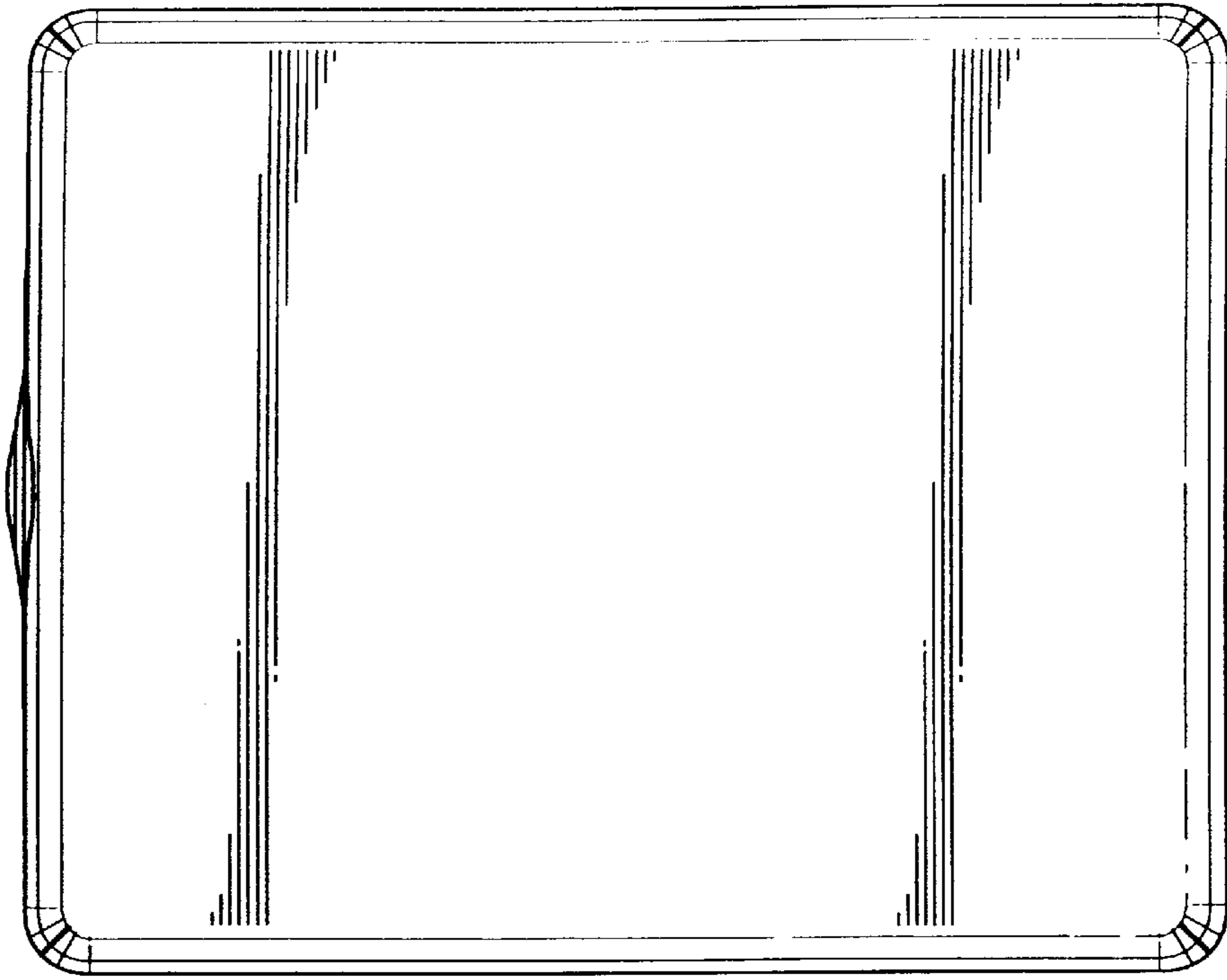


FIG. 5

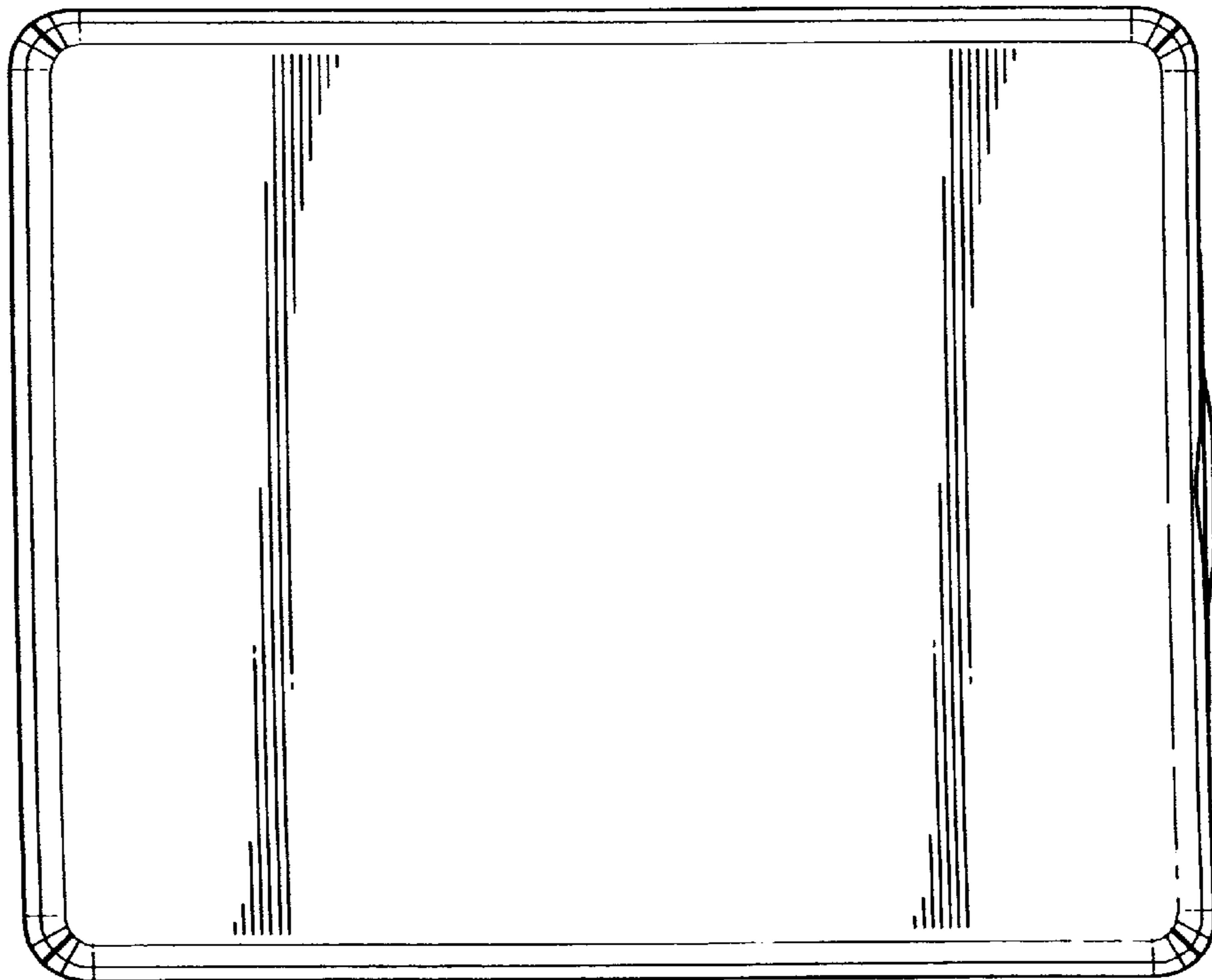


FIG. 6

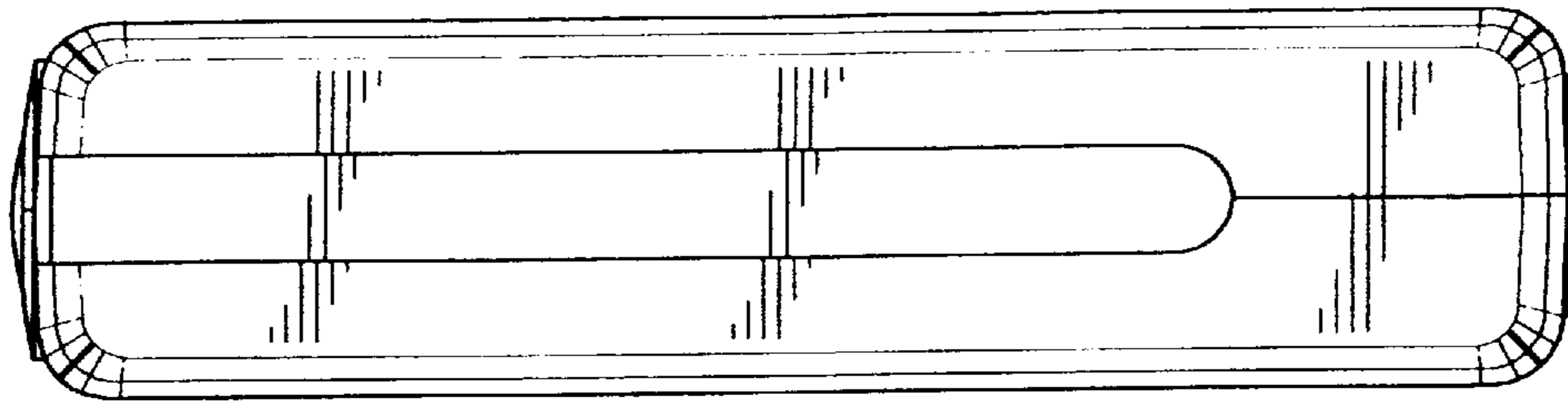


FIG. 7

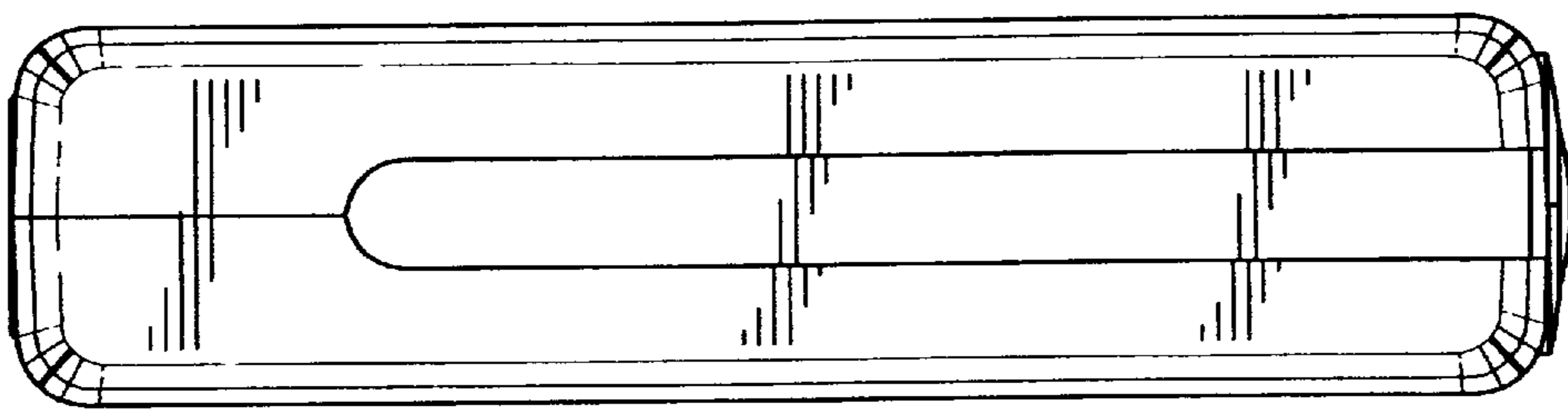


FIG. 8

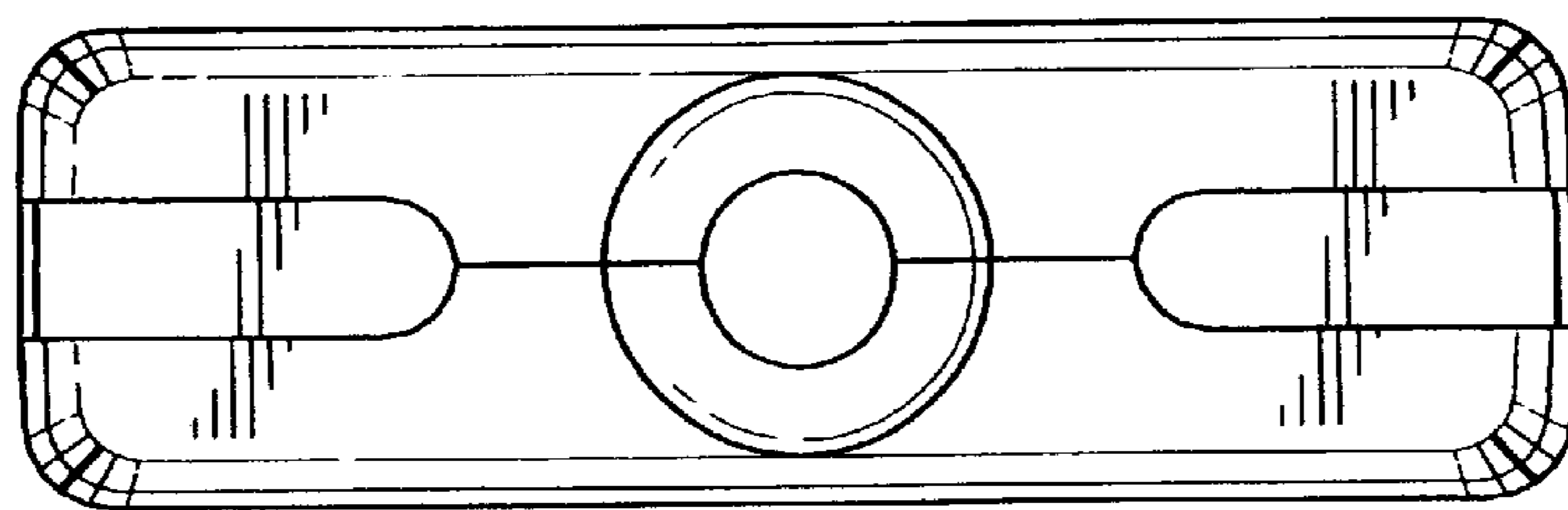


FIG. 9

