



US00D459885S

(12) **United States Design Patent**  
**Hart**

(10) **Patent No.:** **US D459,885 S**

(45) **Date of Patent:** **\*\* Jul. 9, 2002**

(54) **STORAGE CASE**

(75) Inventor: **Don B. Hart**, Dana Point, CA (US)

(73) Assignee: **Alltrade Inc.**, Long Beach, CA (US)

(\*\*) Term: **14 Years**

(21) Appl. No.: **29/144,783**

(22) Filed: **Jul. 10, 2001**

(51) **LOC (7) Cl.** ..... **03-01**

(52) **U.S. Cl.** ..... **D3/282; D3/276**

(58) **Field of Search** ..... **D3/273, 276, 281,**  
**D3/282, 292, 294, 905; 206/349, 372, 373;**  
**190/100, 110, 109, 111**

(56) **References Cited**

**U.S. PATENT DOCUMENTS**

D367,557 S	*	3/1996	Chang	.....	D3/276
D379,715 S	*	6/1997	Yemini	.....	D3/282
D382,709 S	*	8/1997	Cuneo	.....	D3/282
D390,357 S	*	2/1998	Rosen	.....	D3/282
D399,652 S	*	10/1998	Fang	.....	D3/276
D413,440 S	*	9/1999	Schurman	.....	D3/276
D440,043 S	*	4/2001	Miller et al.	.....	D3/282

\* cited by examiner

*Primary Examiner*—Philip S. Hyder

(74) *Attorney, Agent, or Firm*—Robert R. Thornton

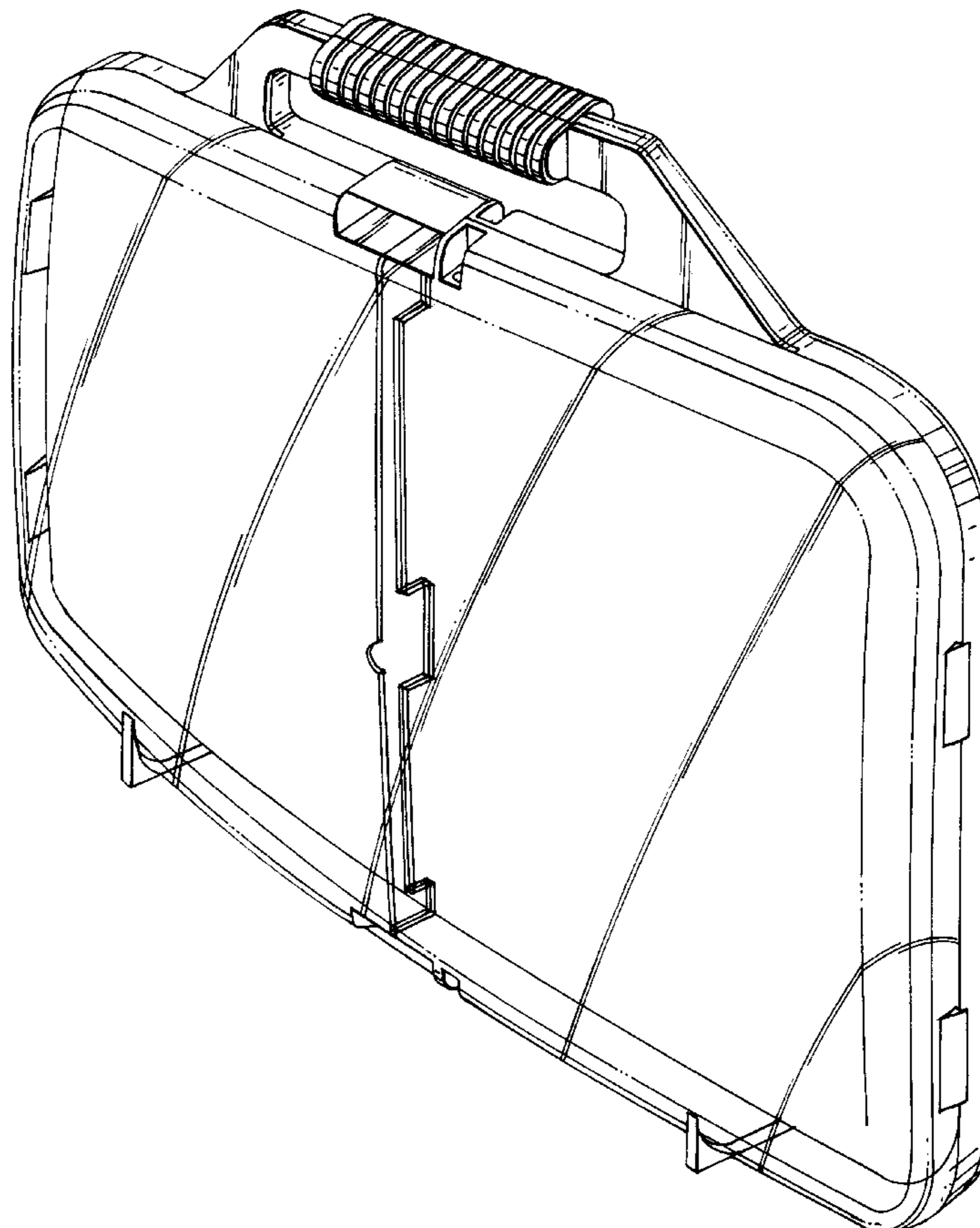
(57) **CLAIM**

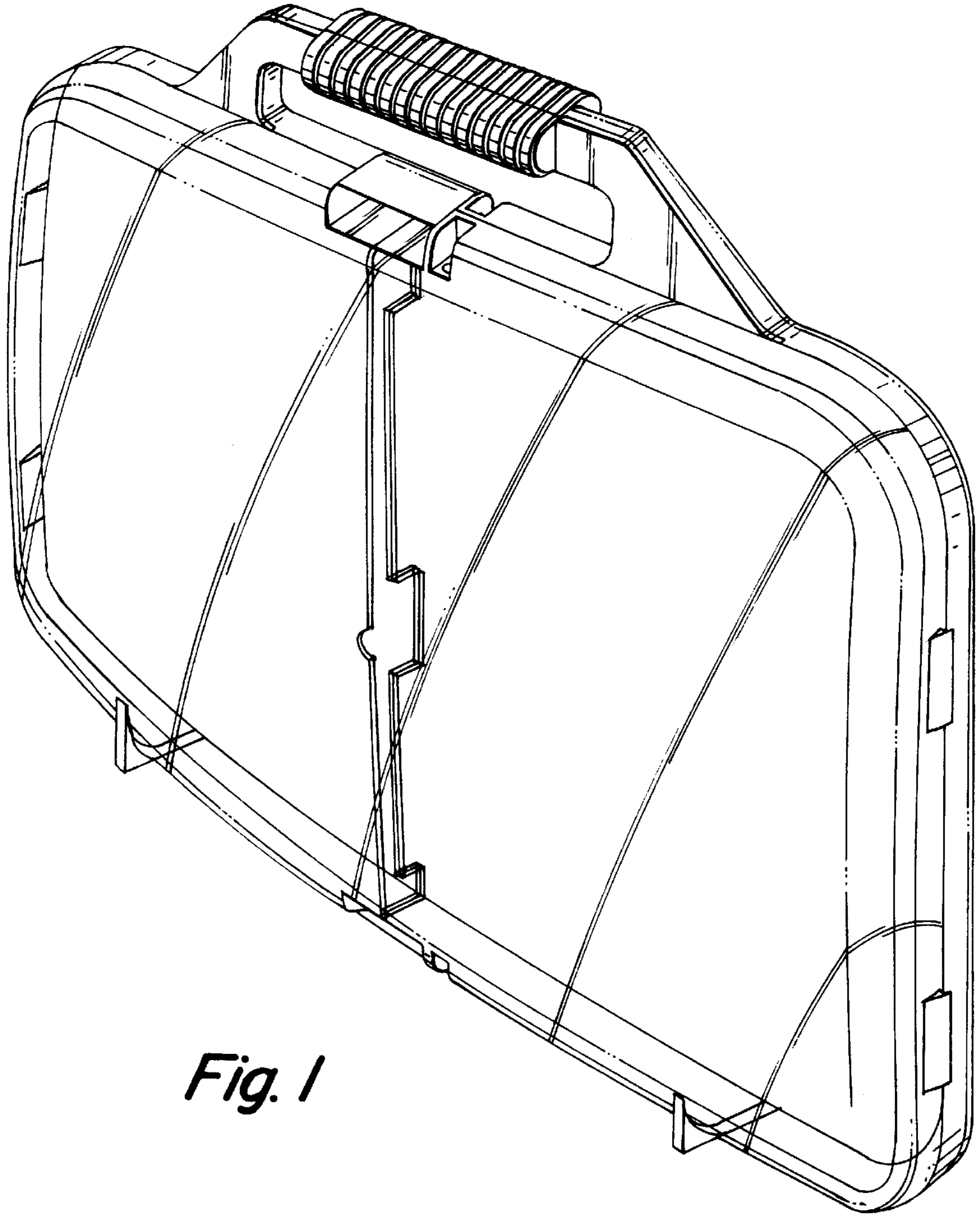
The ornamental design for a storage case, as shown and described.

**DESCRIPTION**

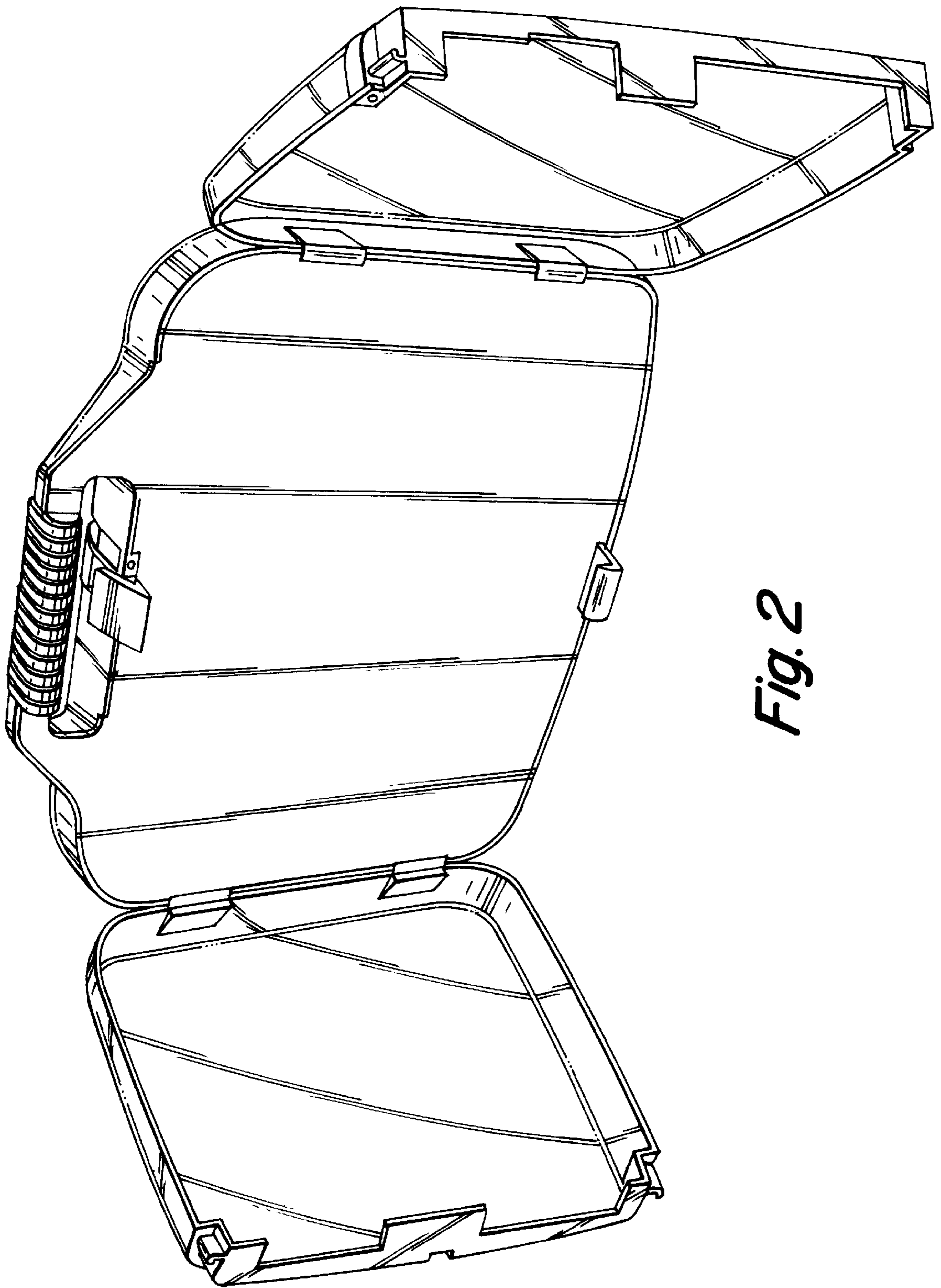
FIG. 1 is a perspective view of a storage case showing my new design in its closed disposition;  
 FIG. 2 is a perspective view of a storage case showing my new design in its opened disposition;  
 FIG. 3 is a front elevational view thereof according to FIG. 1;  
 FIG. 4 is a rear elevational view thereof according to FIG. 1;  
 FIG. 5 is a top plan view thereof according to FIG. 1;  
 FIG. 6 is a bottom plan view thereof according to FIG. 1;  
 FIG. 7 is a left side elevational view thereof according to FIG. 1; and,  
 FIG. 8 is a left side elevational view thereof according to FIG. 1.

**1 Claim, 6 Drawing Sheets**





*Fig. 1*



*Fig. 2*

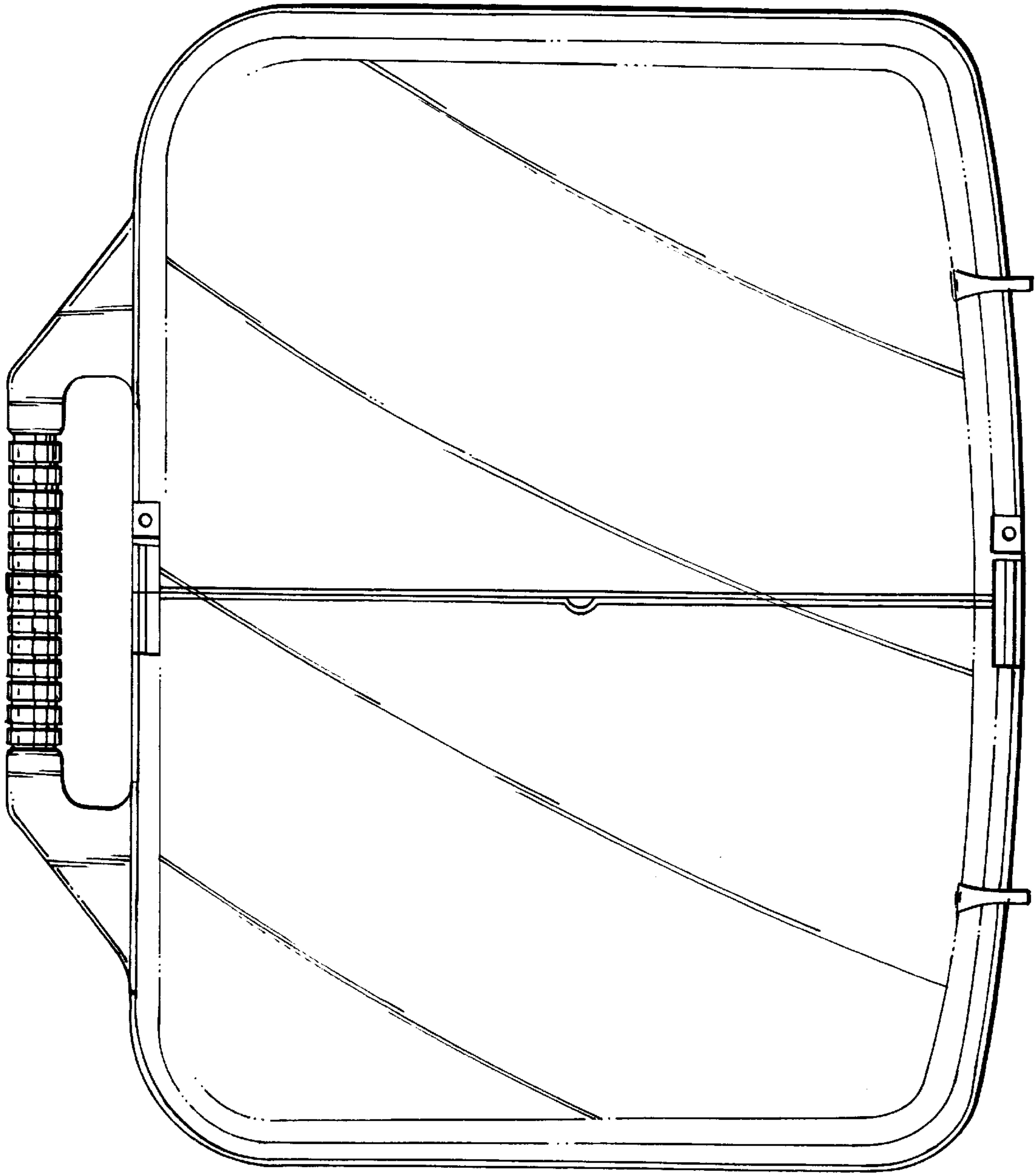
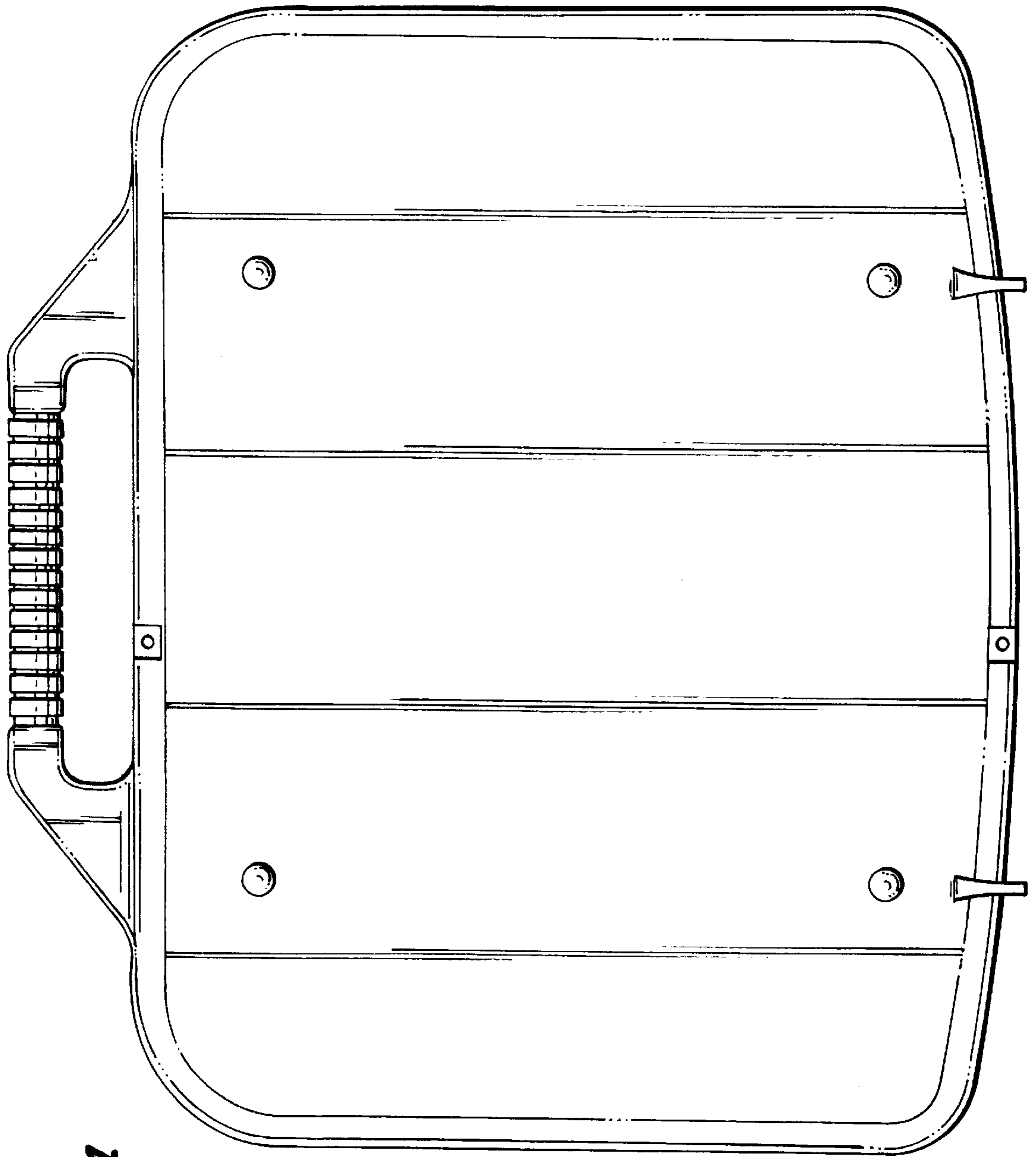
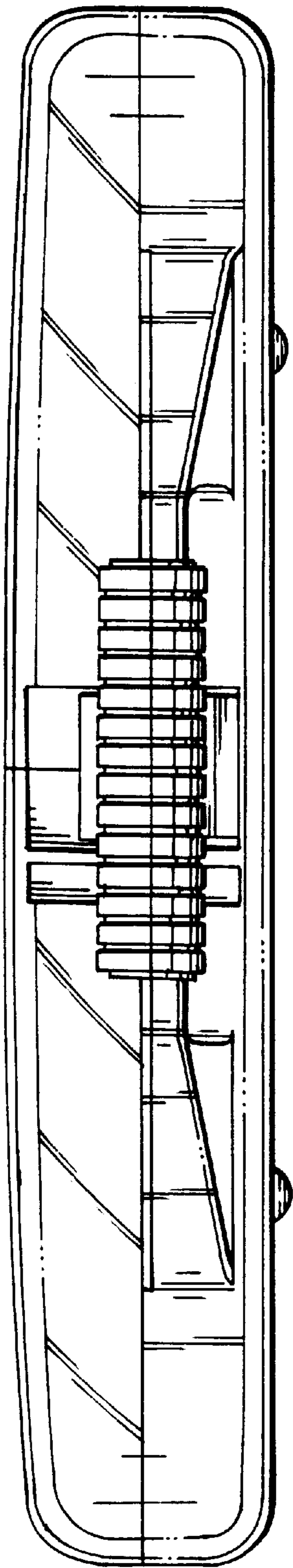


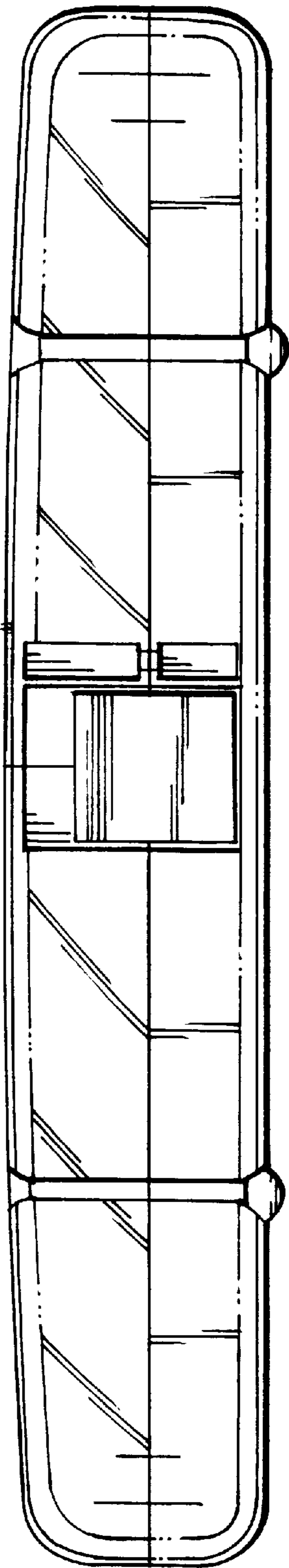
Fig. 3



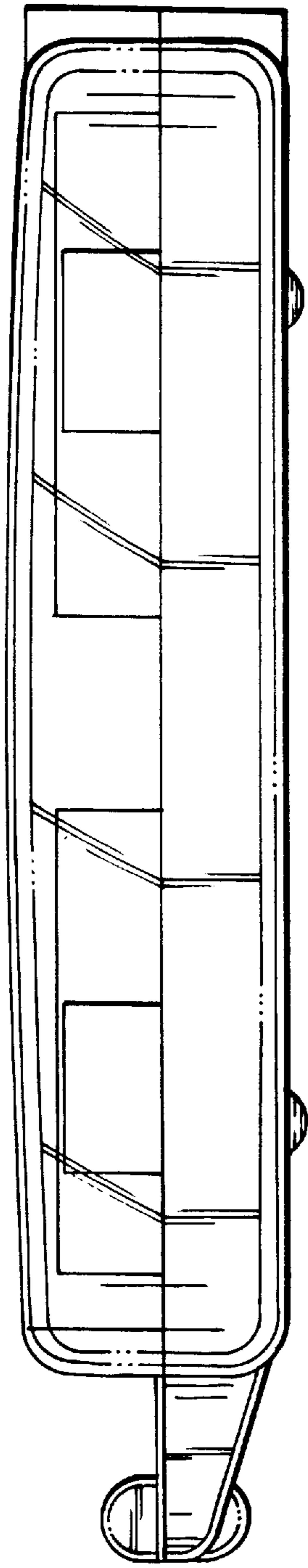
*Fig. 4*



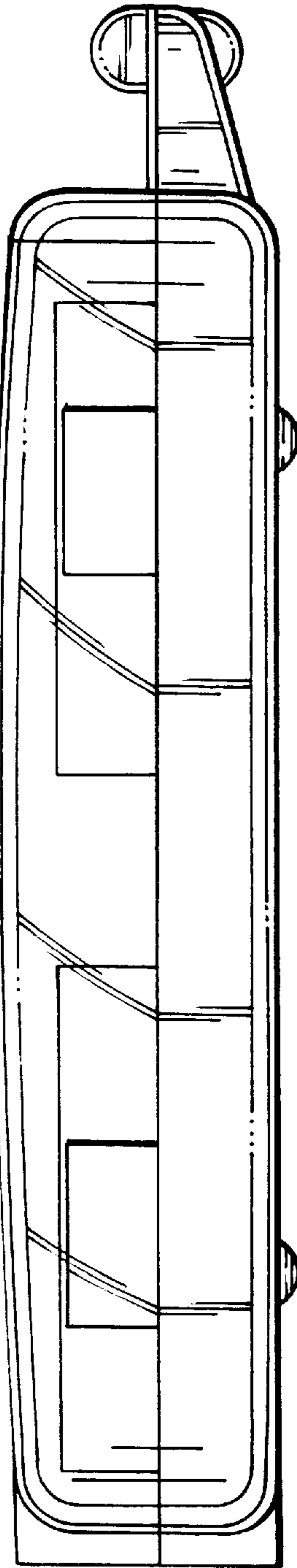
*Fig. 5*



*Fig. 6*



*Fig. 7*



*Fig. 8*