



US00D459882S

(12) **United States Design Patent**
Yuen

(10) **Patent No.:** **US D459,882 S**

(45) **Date of Patent:** **** Jul. 9, 2002**

(54) **EMERGENCY TOOL KIT RADIO**

(76) **Inventor:** **Se Kit Yuen**, 6/F., Yau Lee Centre, 45
Hoi Yuen Road, Kwun Tong, Kowloon
(HK)

(**) **Term:** **14 Years**

(21) **Appl. No.:** **29/142,905**

(22) **Filed:** **Jun. 4, 2001**

(51) **LOC (7) Cl.** **03-01**

(52) **U.S. Cl.** **D3/274; D3/905; D3/291;**
D14/168

(58) **Field of Search** D3/270, 271, 273,
D3/276, 274, 905, 291; D14/168; 206/349,
372, 373; 455/344, 347, 350, 351

(56) **References Cited**

U.S. PATENT DOCUMENTS

D302,903 S	*	8/1989	Johnston	D14/168
D304,881 S	*	12/1989	Zinbarg et al.	D14/168
D334,868 S	*	4/1993	Lau Woon	D14/161
D351,319 S	*	10/1994	Long et al.	D14/168
D364,161 S	*	11/1995	Campbell	D14/168

D365,733 S	*	1/1996	Freedland	D14/168
D370,675 S	*	6/1996	Kirk et al.	D14/168
D375,311 S	*	11/1996	Keseling et al.	D14/168
D406,843 S	*	3/1999	Zeitman	D14/162
D441,531 S	*	5/2001	Lee	D14/168
D441,738 S	*	5/2001	Schuilng	D14/168

* cited by examiner

Primary Examiner—Philip S. Hyder

(74) *Attorney, Agent, or Firm*—Raymond Y. Chan; David
and Raymond Patent Group

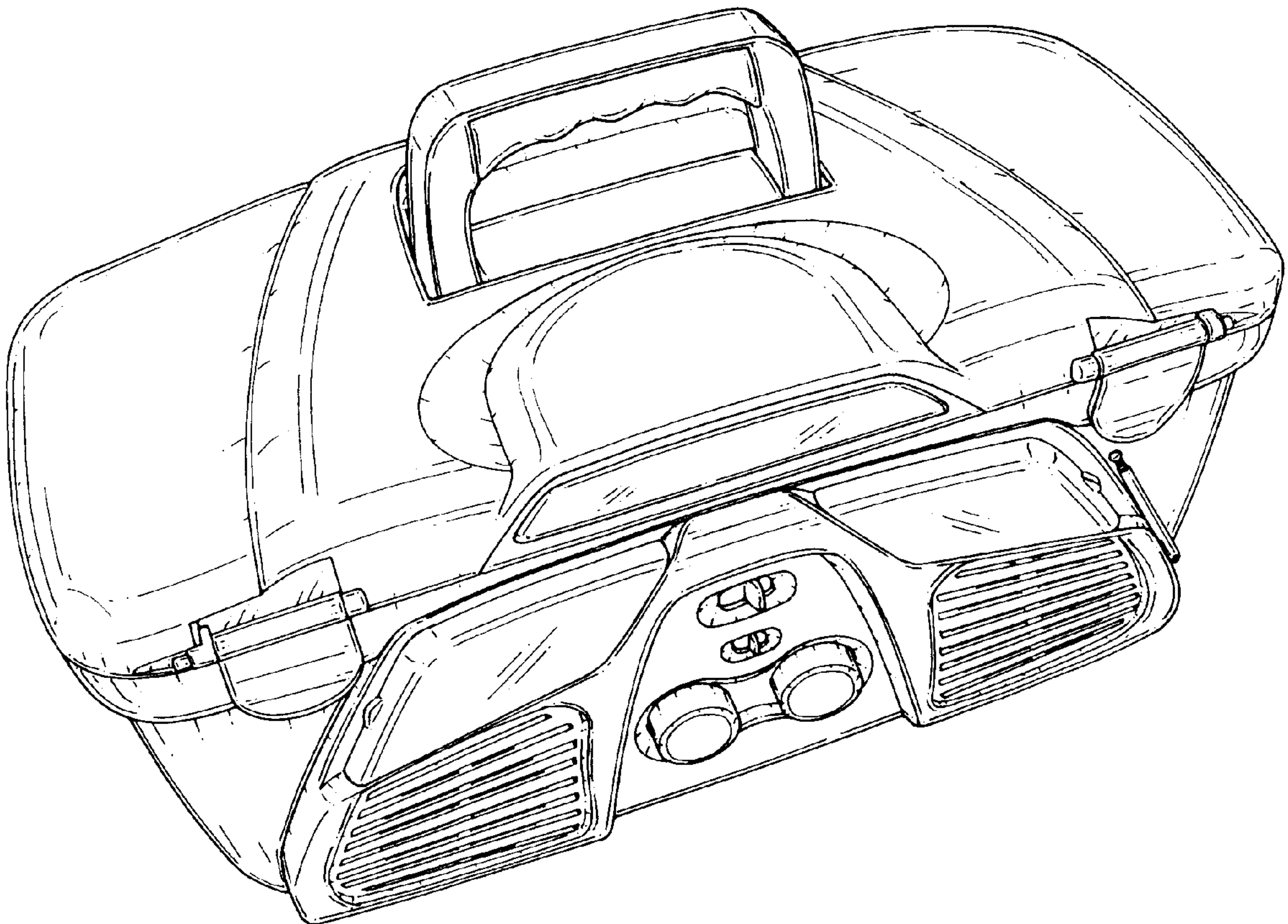
(57) **CLAIM**

The ornamental design for a emergency tool kit radio, as
shown.

DESCRIPTION

FIG. 1 is a perspective view showing my new design.
 FIG. 2 is a front view thereof.
 FIG. 3 is a rear view thereof.
 FIG. 4 is a right end view thereof.
 FIG. 5 is a left end view thereof.
 FIG. 6 is a top view thereof; and,
 FIG. 7 is a bottom view thereof.

1 Claim, 7 Drawing Sheets



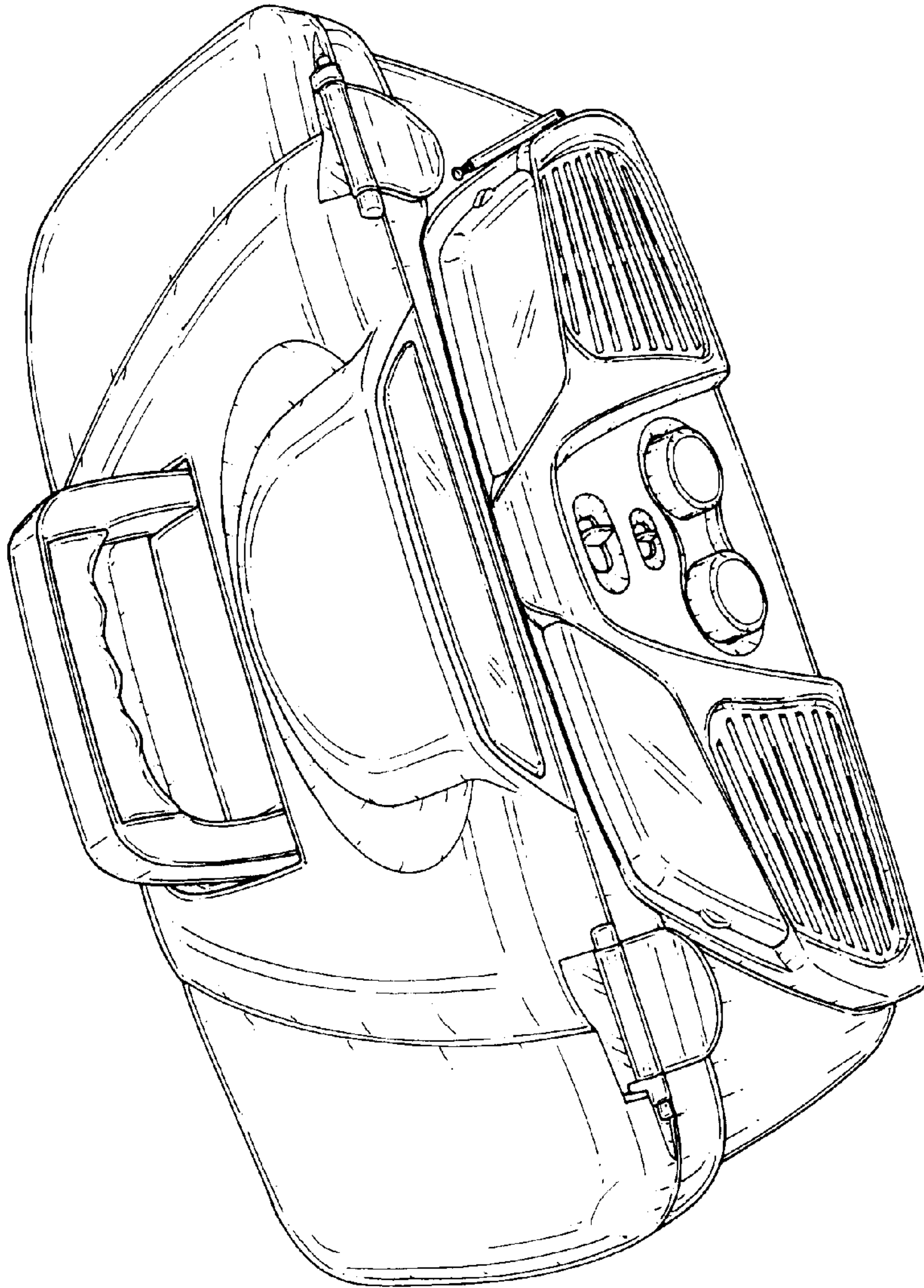


FIG.1

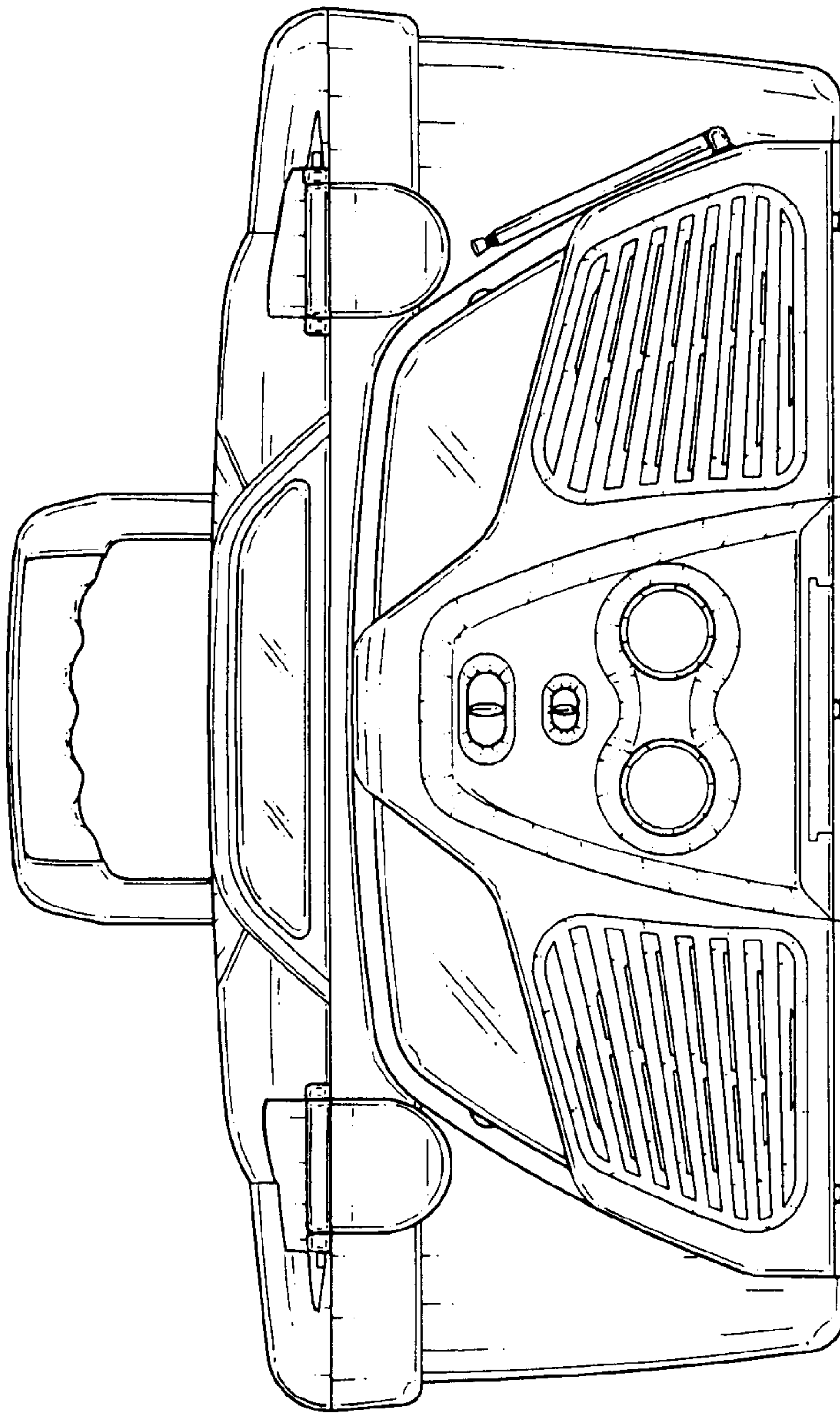


FIG.2

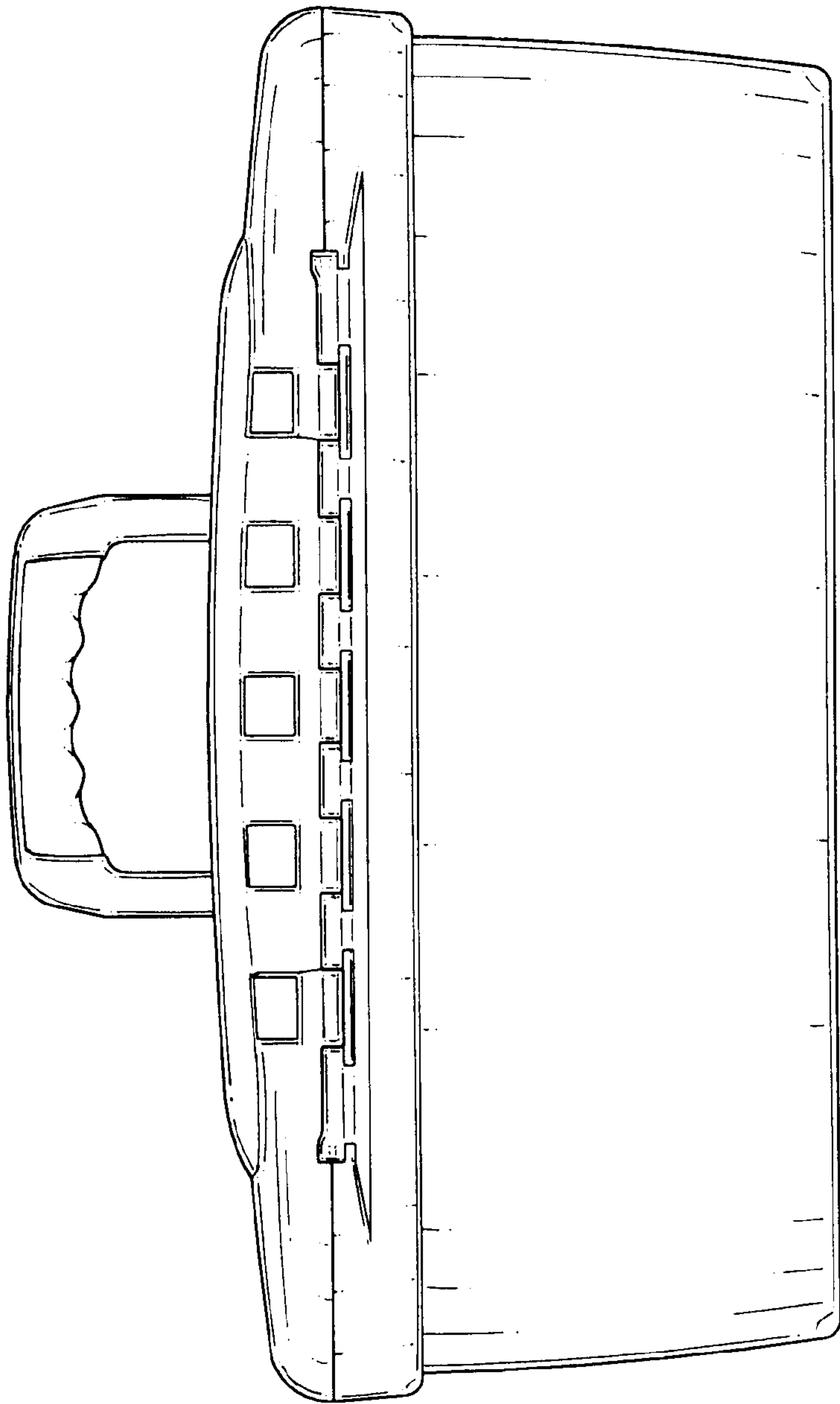


FIG.3

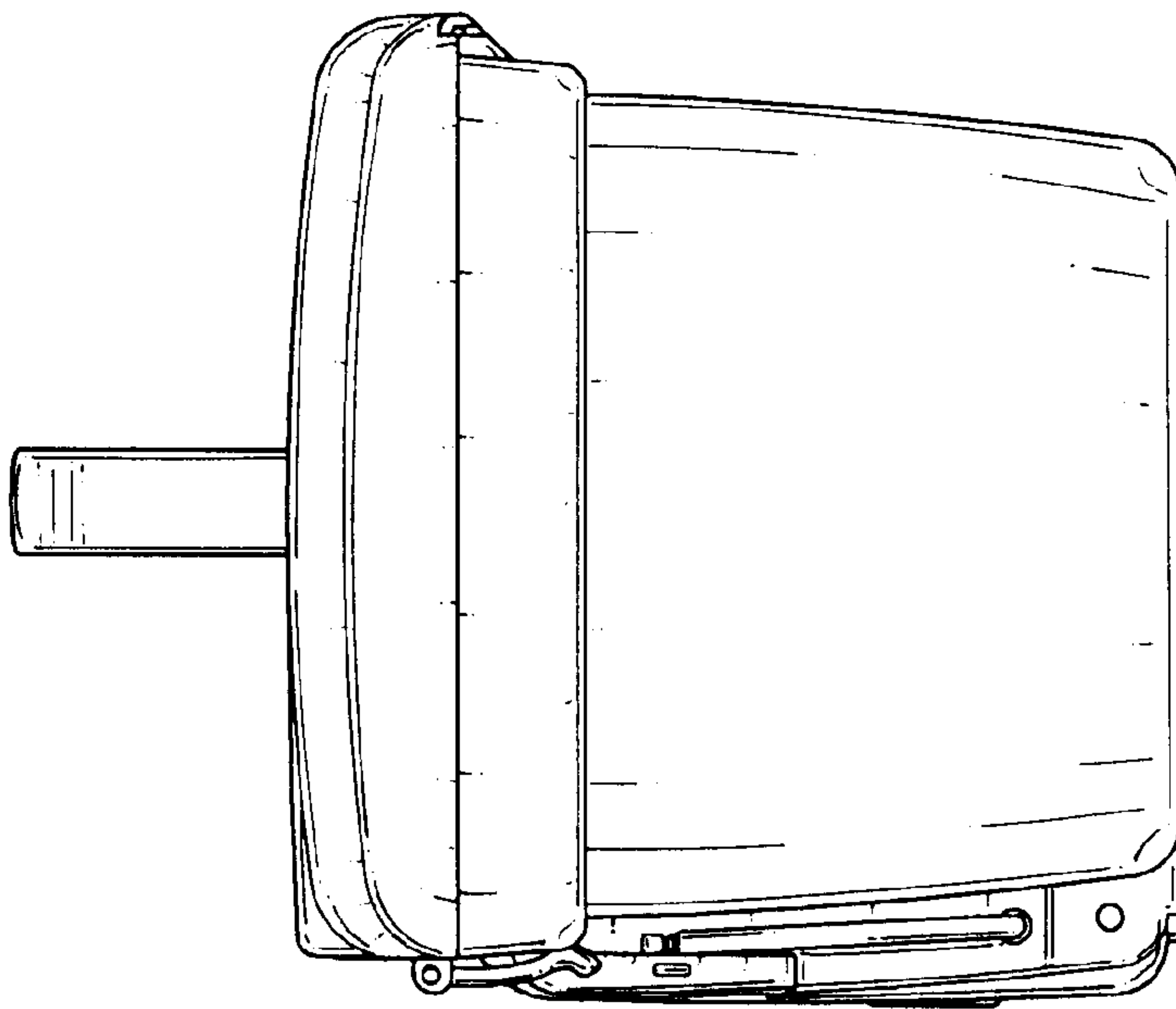


FIG.4

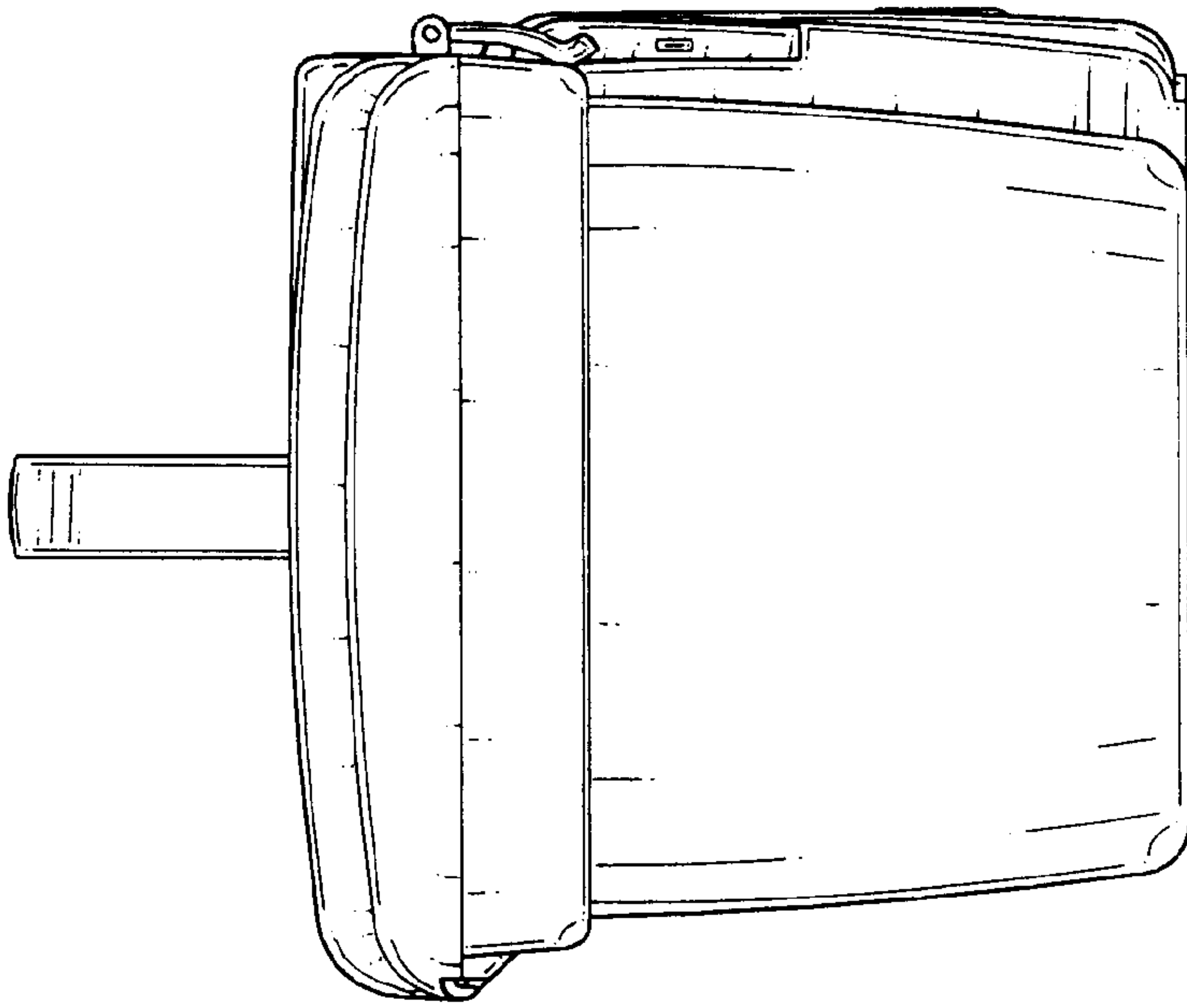


FIG.5

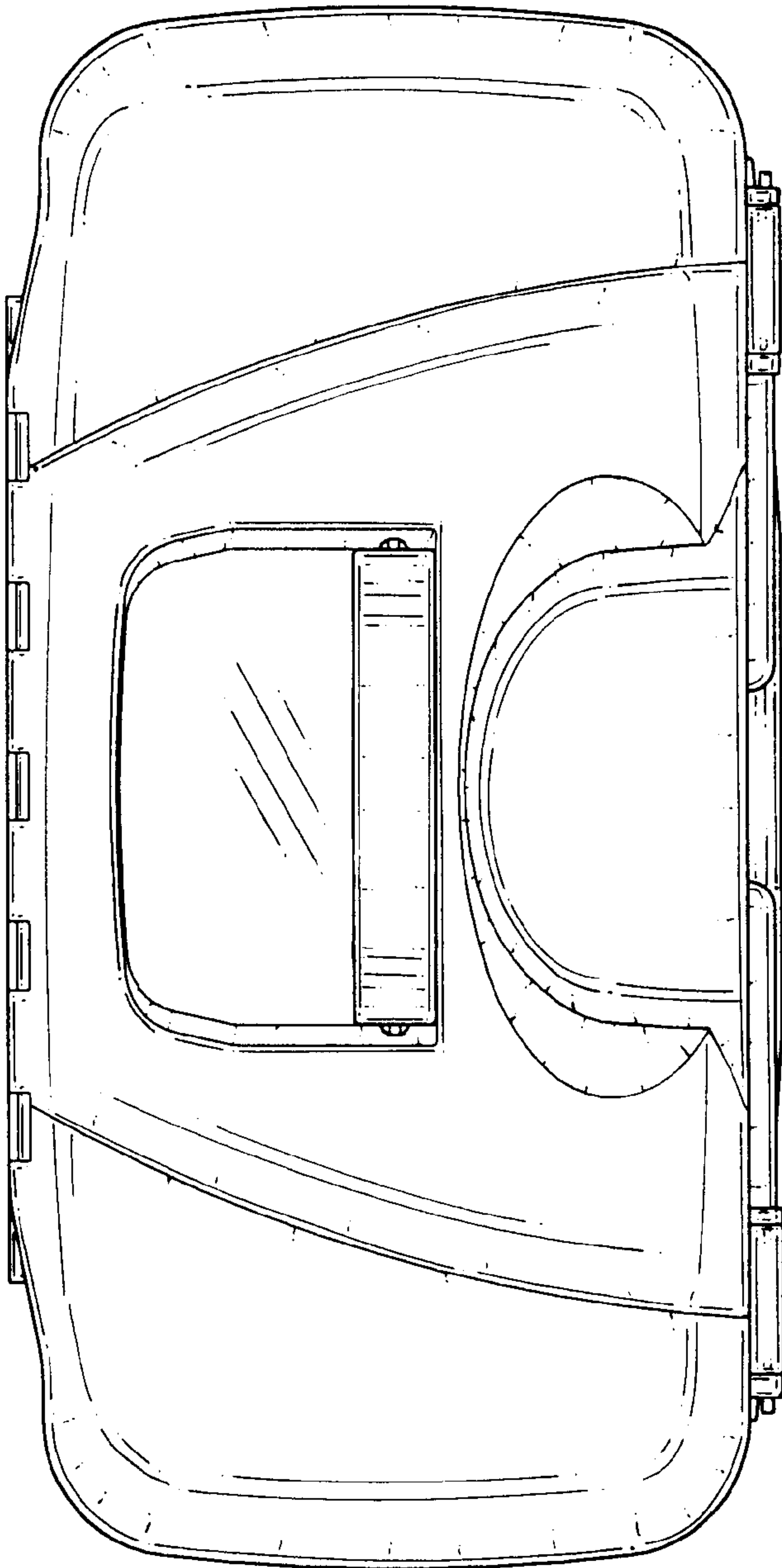


FIG.6

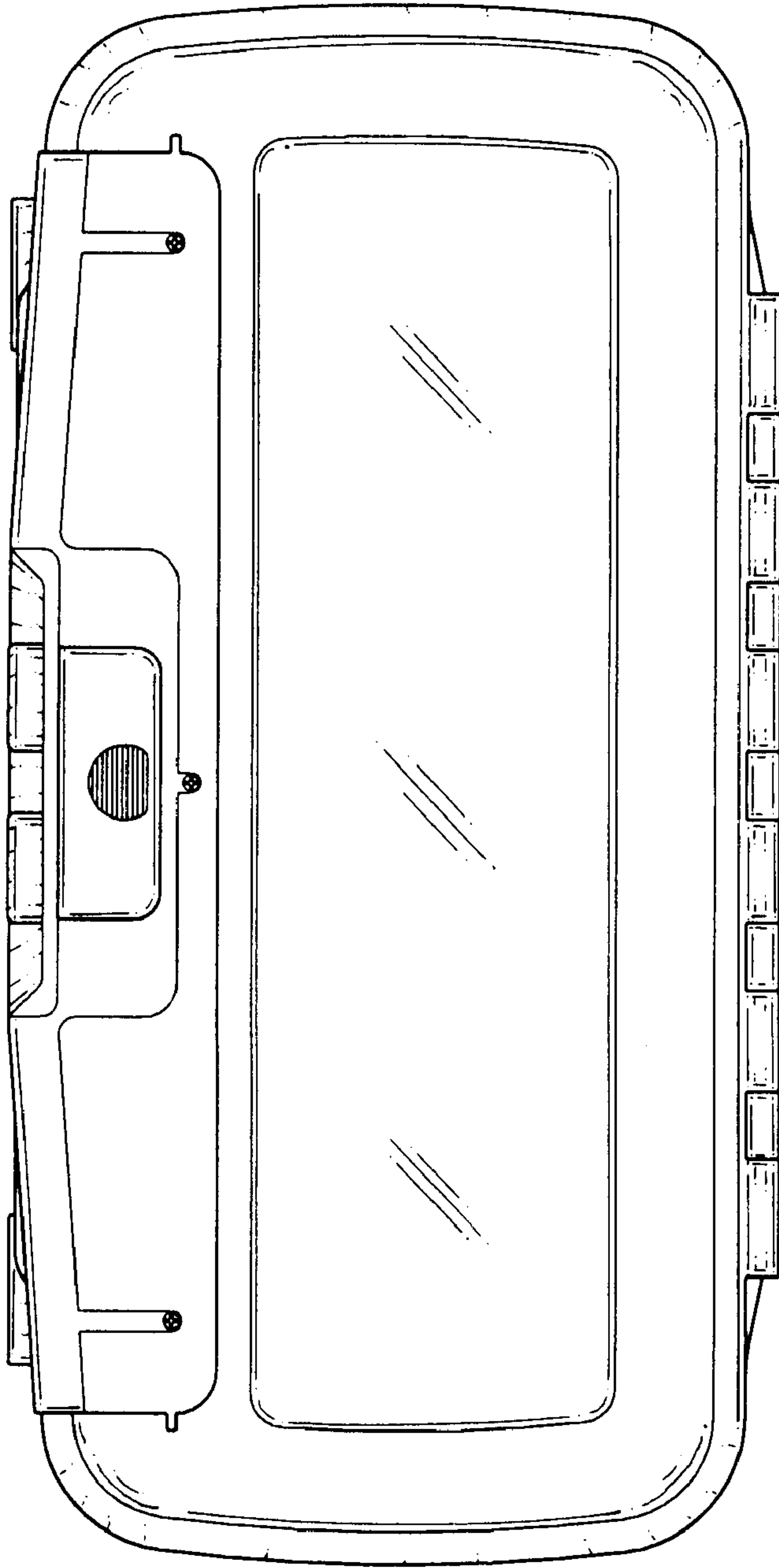


FIG. 7