

US00D459881S

(12) **United States Design Patent**
Kim

(10) **Patent No.:** **US D459,881 S**

(45) **Date of Patent:** **** Jul. 9, 2002**

(54) **BOX**

(76) Inventor: **Paul T. Kim**, 15029 S. Figueroa St.,
Gardena, CA (US) 90248

(**) Term: **14 Years**

(21) Appl. No.: **29/141,172**

(22) Filed: **May 1, 2001**

(51) **LOC (7) Cl.** **03-01**

(52) **U.S. Cl.** **D3/273; D3/302**

(58) **Field of Search** **D3/273-275, 294-297,**
D3/302, 903, 20, 901; 206/6.1, 457; 217/7,
10, 56, 57, 58; D17/24; D19/75; D99/34;
D7/542

(56) **References Cited**

U.S. PATENT DOCUMENTS

D44,633 S	*	9/1913	Flaudes	D3/903
1,188,492 A	*	6/1916	Rubbles	217/56
D65,341 S	*	7/1924	Karpeles	D3/273
1,715,966 A	*	6/1929	Vogt	206/457
D90,257 S	*	7/1933	McFarland	D3/901
D178,896 S	*	10/1956	Mayer	D3/903
D182,766 S	*	5/1958	Hardy	D3/294
D203,887 S	*	2/1966	Braun	D3/903
D280,015 S	*	8/1985	Sarajian	D3/203
D422,786 S	*	4/2000	Wu	D3/273

* cited by examiner

Primary Examiner—Lucy Lieberman

(74) *Attorney, Agent, or Firm*—John K. Park; Park & Sutton LLP

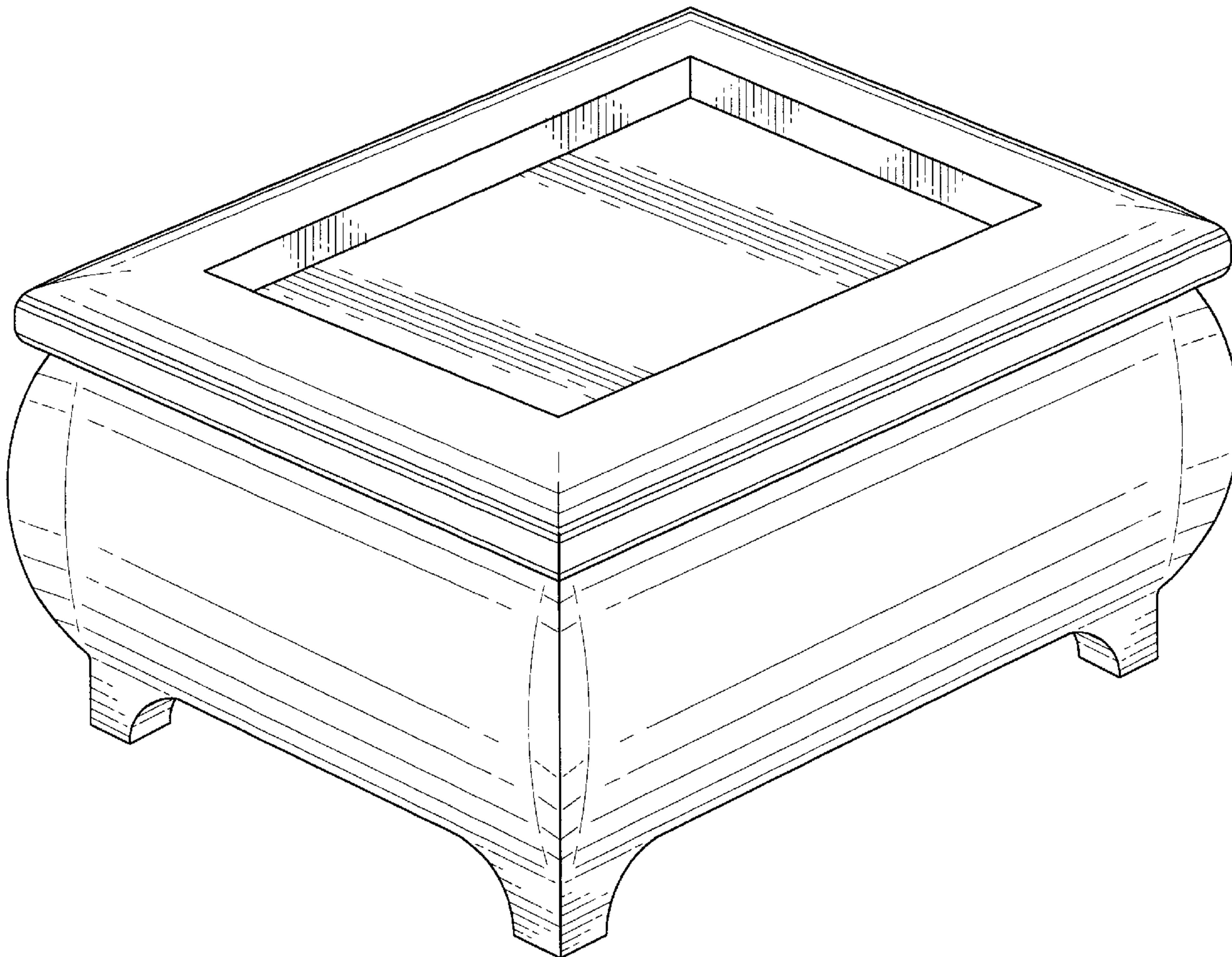
(57) **CLAIM**

The ornamental design for a box, as shown and described.

DESCRIPTION

FIG. 1 is an isometric view of a first embodiment;
 FIG. 2 is a top plan view of the embodiment shown in FIG. 1;
 FIG. 3 is a front elevational view of the embodiment shown in FIG. 1, the opposite side being a mirror image;
 FIG. 4 is a bottom plan view of the embodiment shown in FIG. 1;
 FIG. 5 is a side elevational view of the embodiment shown in FIG. 1, the opposite side being a mirror image;
 FIG. 6 is an isometric view of a second embodiment;
 FIG. 7 is a top plan view of the embodiment shown in FIG. 6;
 FIG. 8 is a front elevational view of the embodiment shown in FIG. 6, the opposite side being a mirror image;
 FIG. 9 is a bottom plan view of the embodiment shown in FIG. 6; and,
 FIG. 10 is a side elevational view of the embodiment shown in FIG. 6, the opposite side being a mirror image.

1 Claim, 6 Drawing Sheets



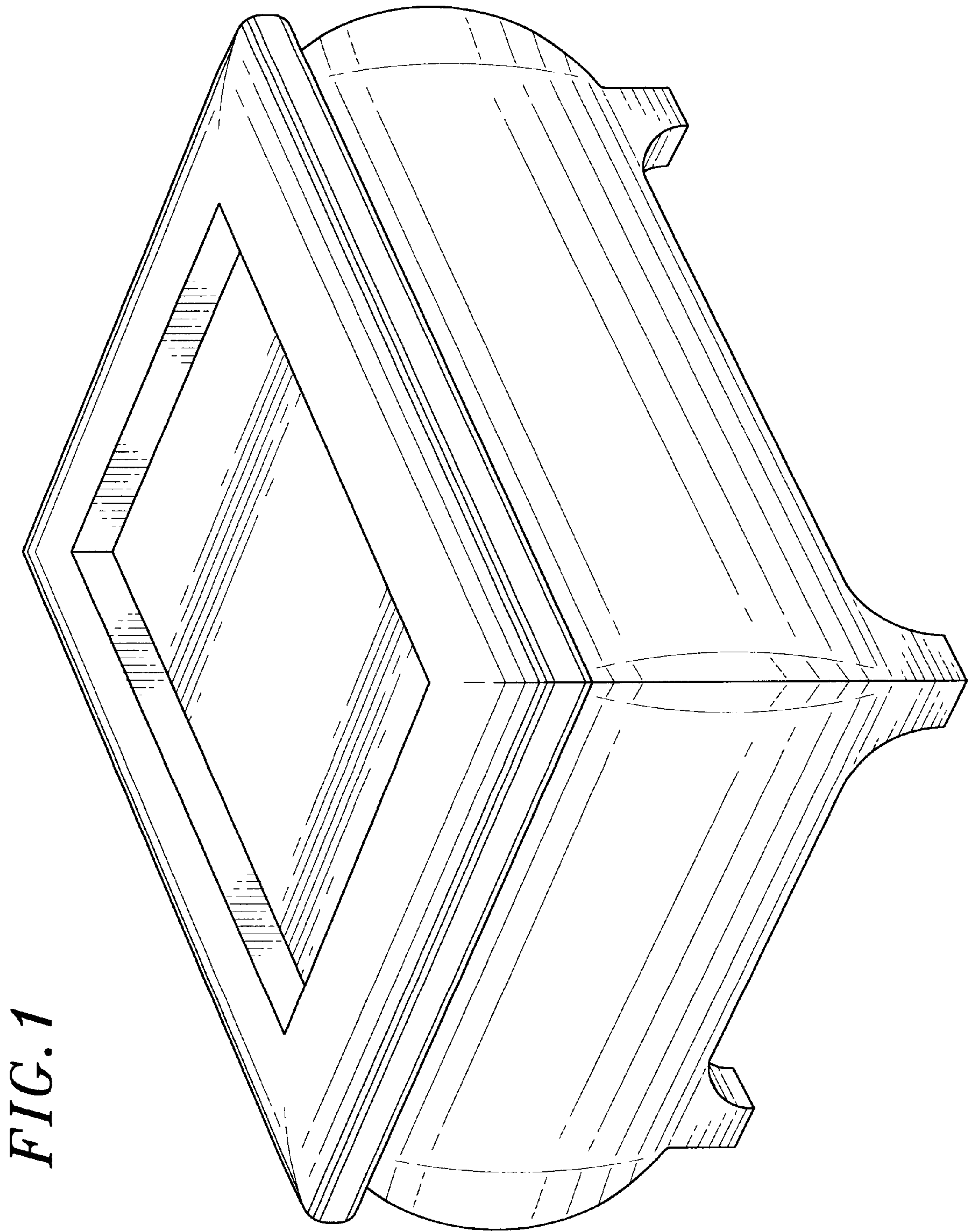


FIG. 1

FIG. 2

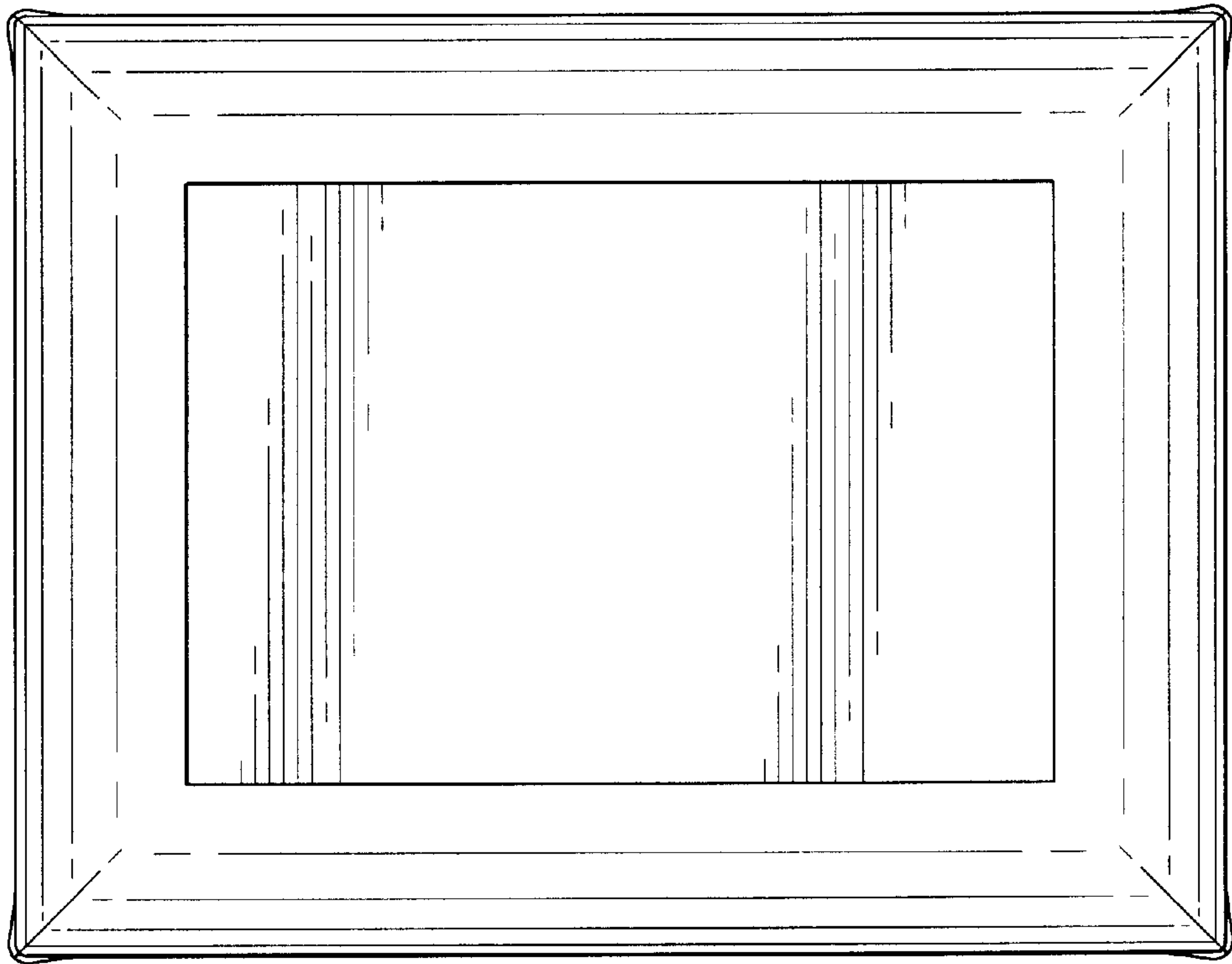


FIG. 3

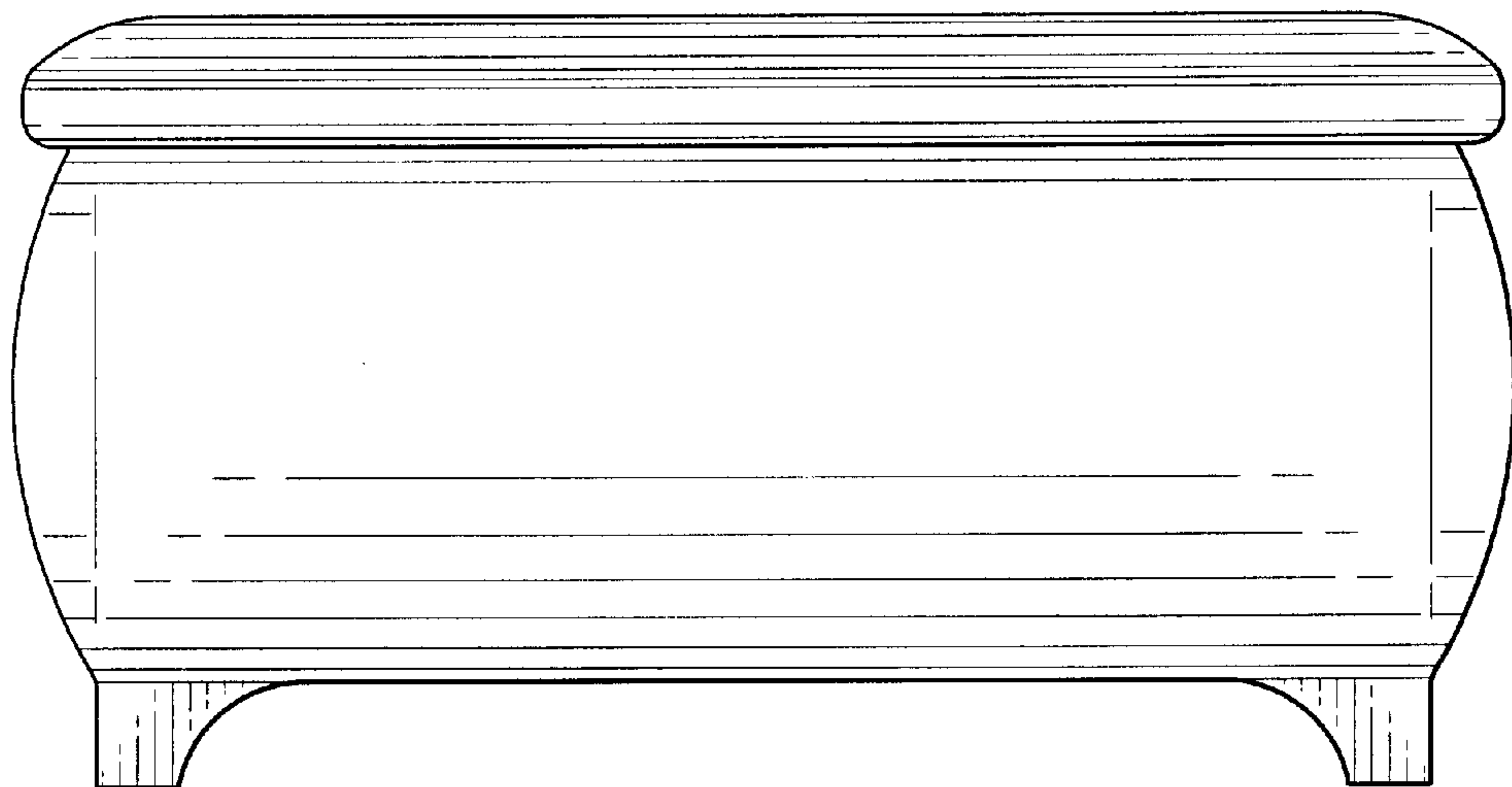


FIG. 4

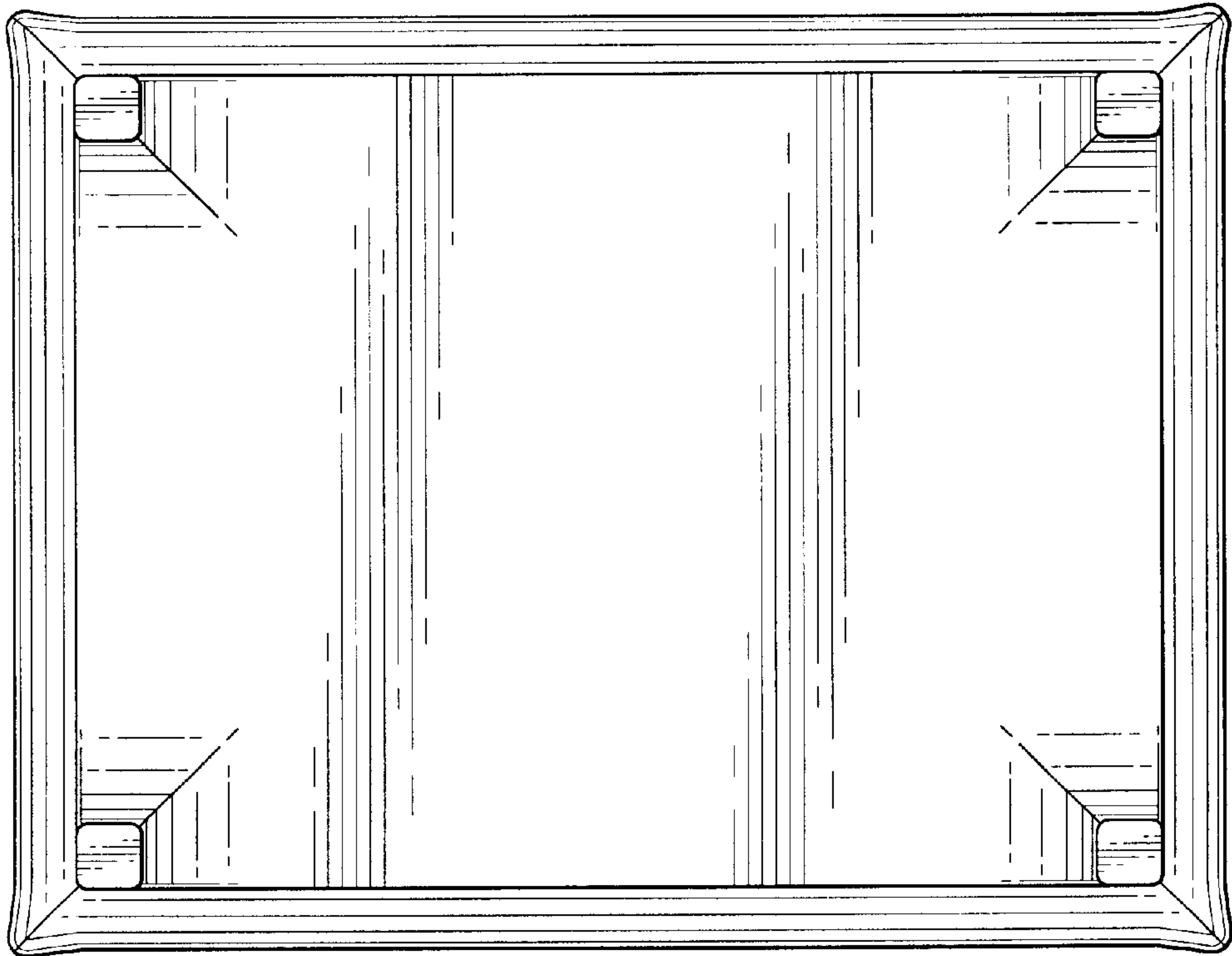


FIG. 5

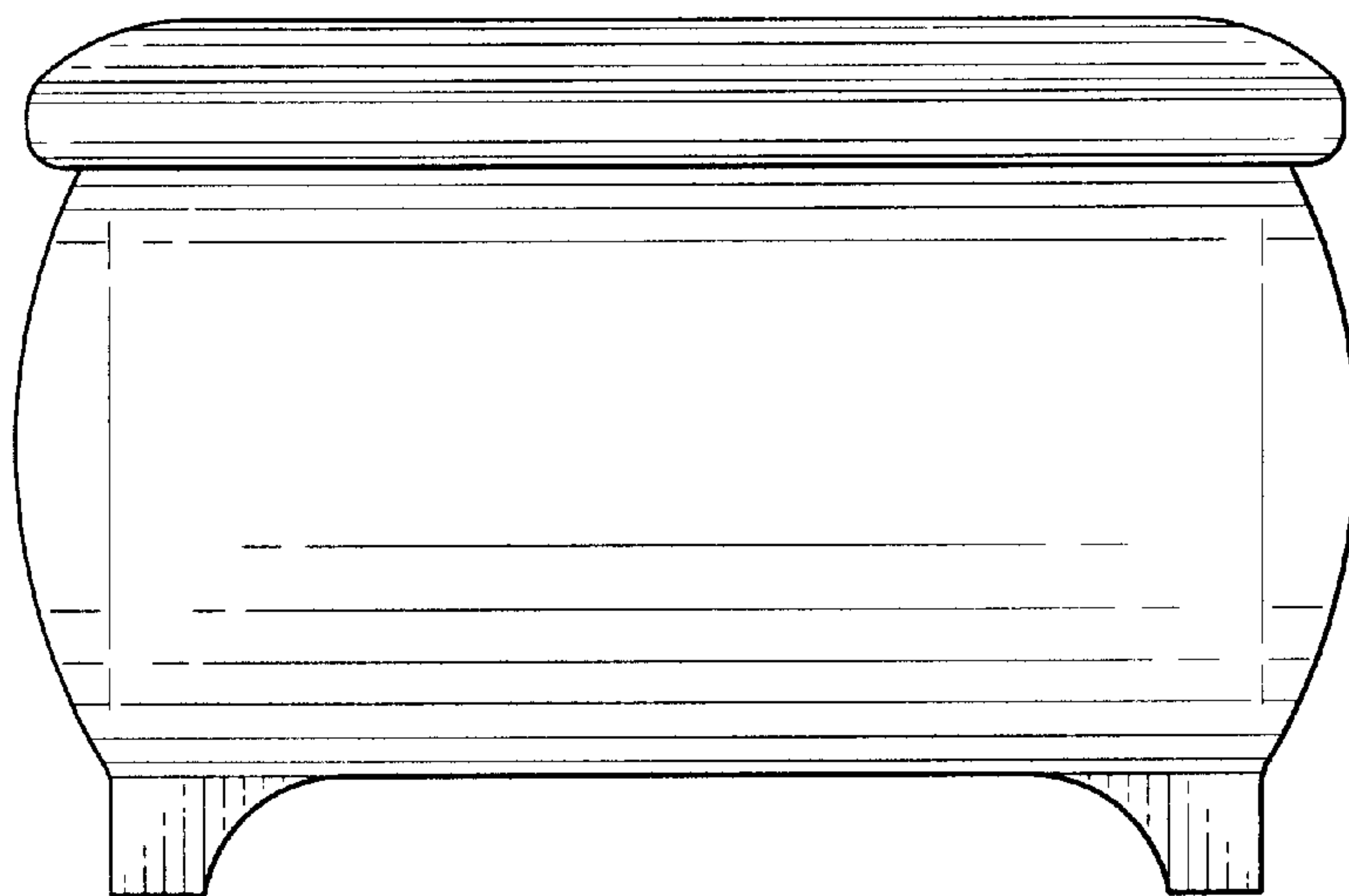


FIG. 6

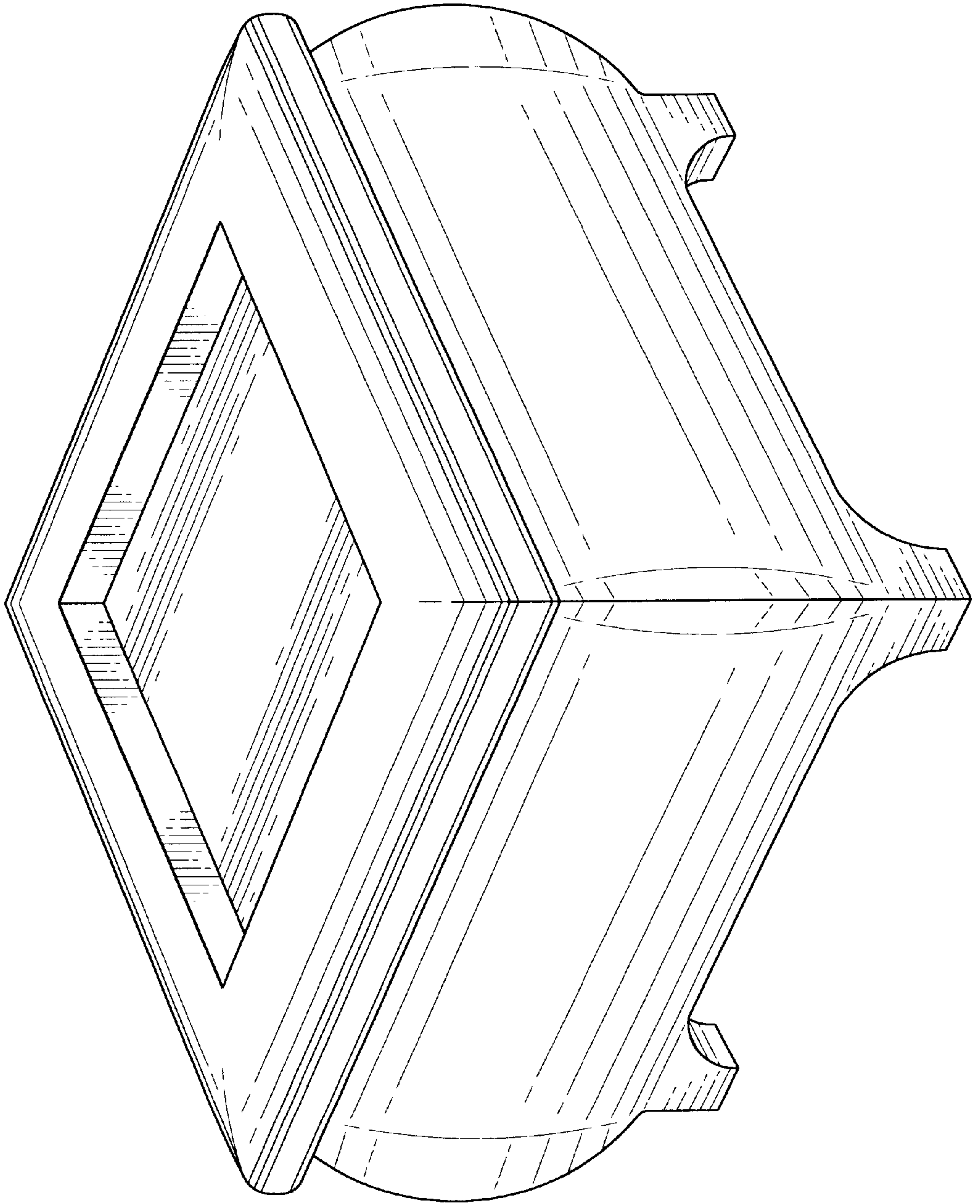


FIG. 7

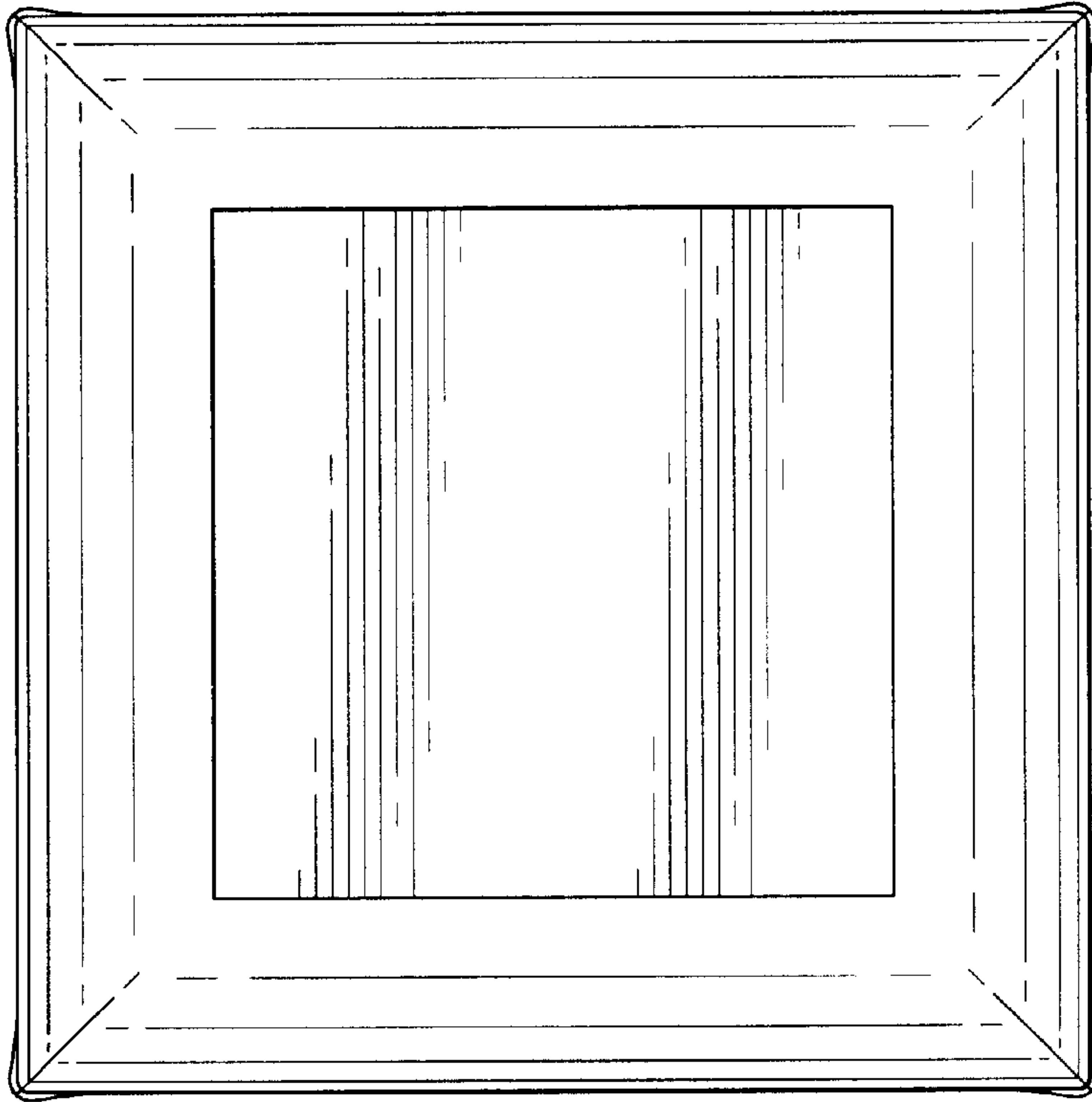


FIG. 8

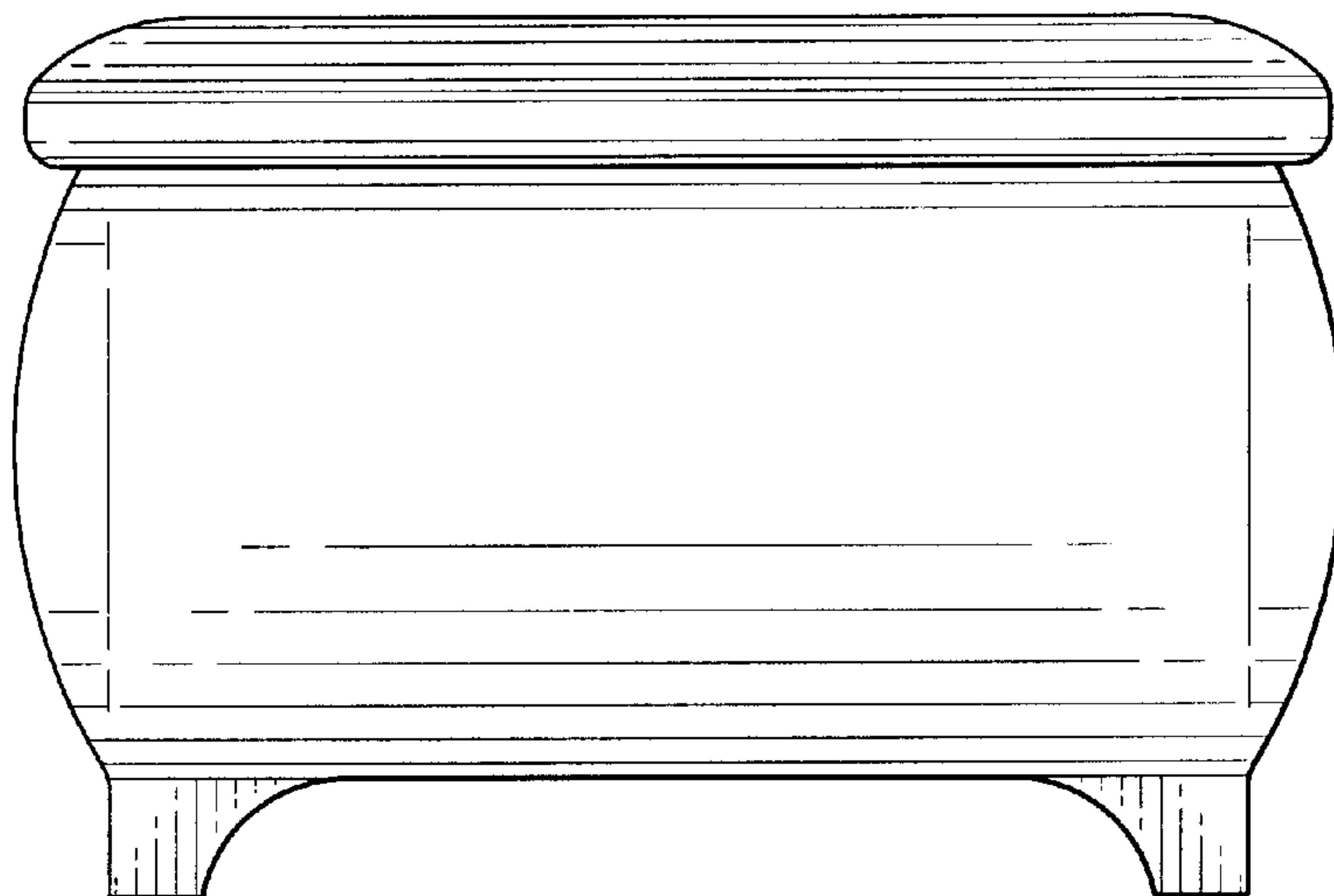


FIG. 9

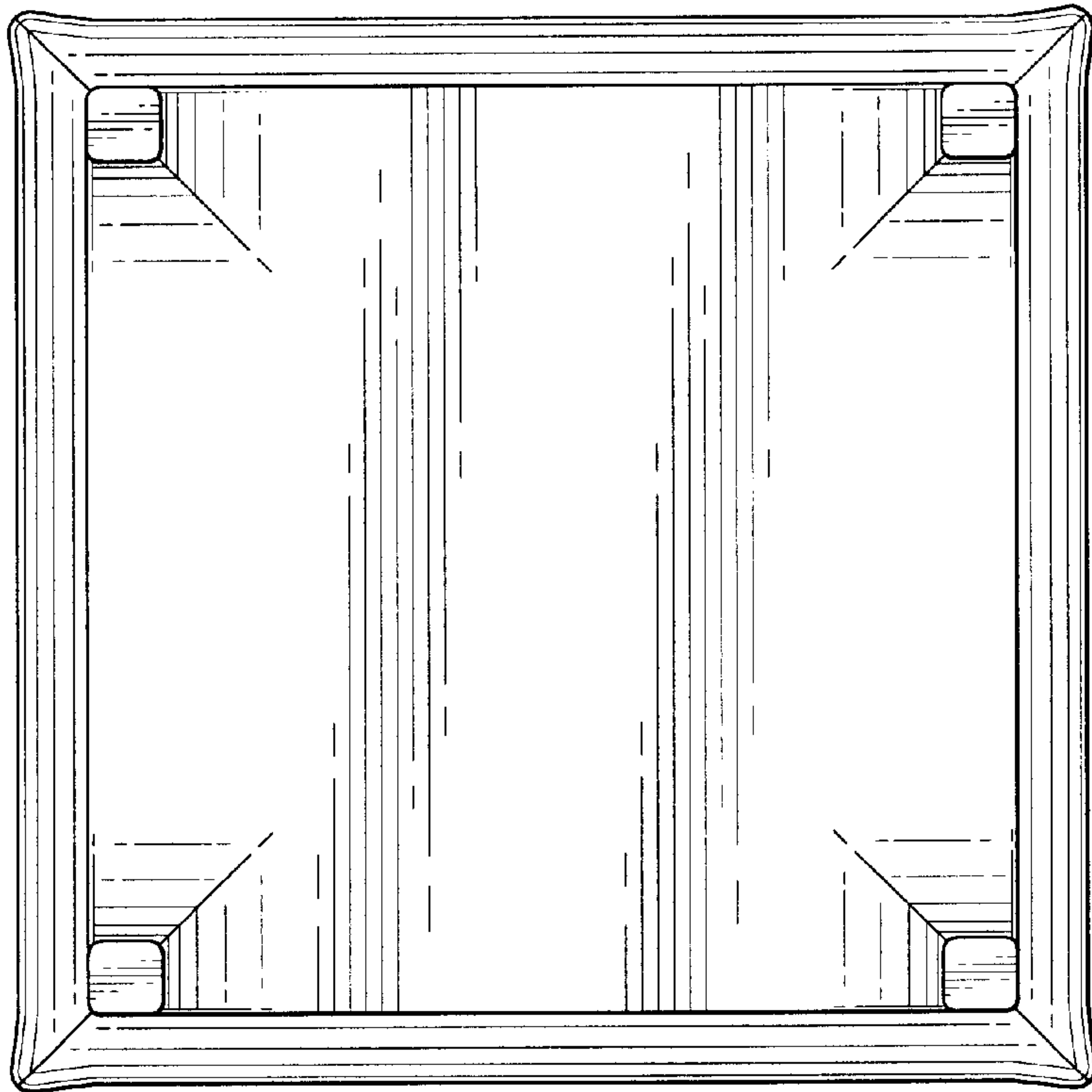


FIG. 10

