



US00D459878S

(12) **United States Design Patent**
Nally

(10) **Patent No.:** **US D459,878 S**

(45) **Date of Patent:** **** Jul. 9, 2002**

(54) **PRODUCT PACKAGING FOR SPORTING EQUIPMENT**

D363,600 S	10/1995	Medlen	D3/254
D370,560 S	6/1996	Doerbaum	D3/254
5,642,809 A	* 7/1997	Mayville	206/204
D417,780 S	12/1999	Gunter	D3/254

(75) Inventor: **Michael Nally**, Ridgewood, NJ (US)

* cited by examiner

(73) Assignee: **Sportcraft, Ltd.**, Mt. Olive, NJ (US)

Primary Examiner—Catherine R. Oliver

(**) Term: **14 Years**

(74) *Attorney, Agent, or Firm*—Head, Johnson & Kachigian, P.C.

(21) Appl. No.: **29/138,679**

(57) **CLAIM**

(22) Filed: **Mar. 16, 2001**

The ornamental design for product packaging for sporting equipment, as shown and described.

Related U.S. Application Data

DESCRIPTION

(62) Division of application No. 29/109,999, filed on Aug. 30, 1999.

FIG. 1 is a left front perspective view of product packaging for sporting equipment showing my new design;
FIG. 2 is a front elevational view thereof;
FIG. 3 is a rear elevational view thereof;
FIG. 4 is a bottom plan view thereof;
FIG. 5 is a top plan view thereof;
FIG. 6 is a right side elevational view thereof;
FIG. 7 is a left side elevational view thereof; and,
FIG. 8 is a left front perspective view of a second embodiment of the product packaging for sporting equipment.

(51) **LOC (7) Cl.** **03-01**

(52) **U.S. Cl.** **D3/254**

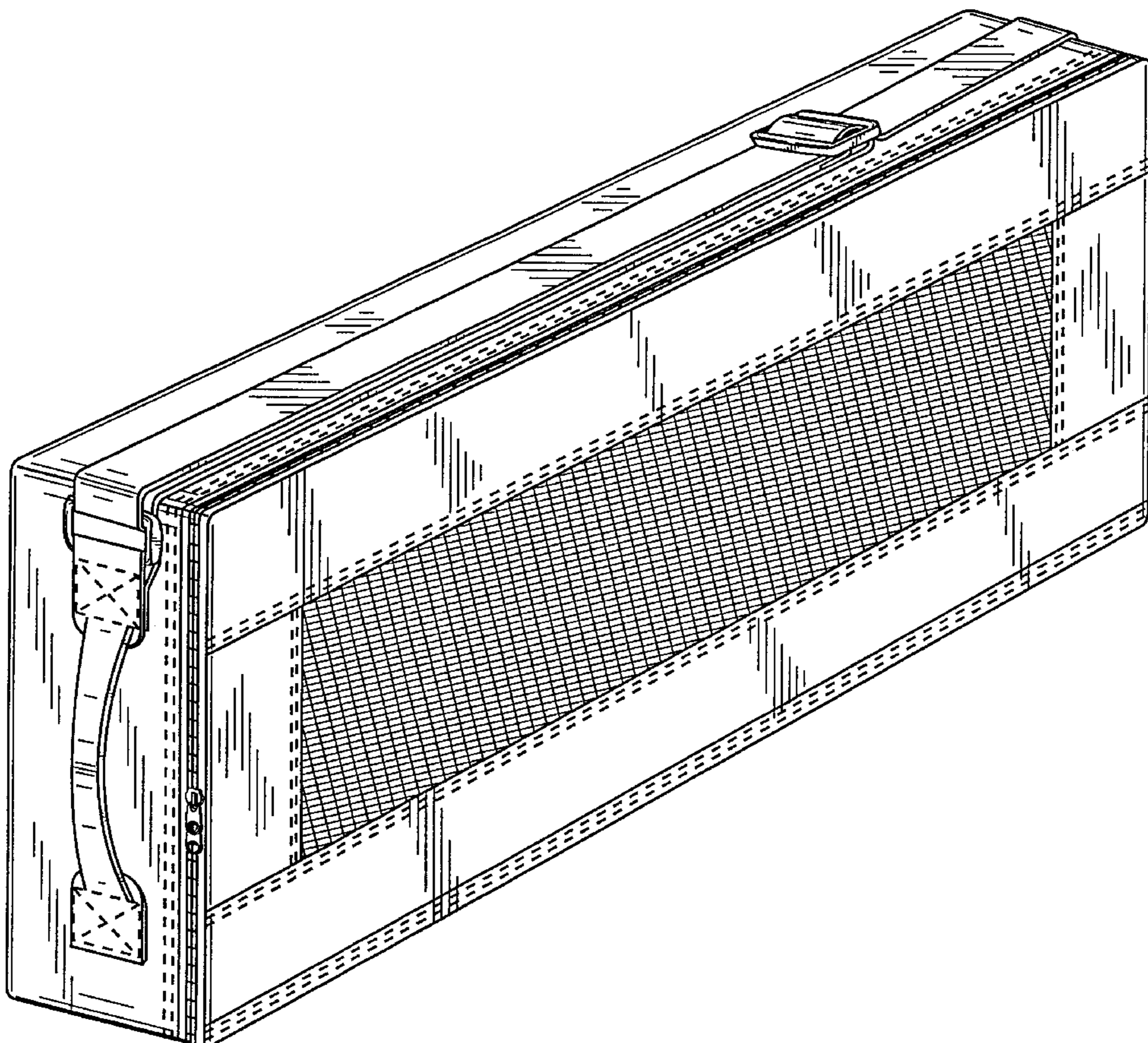
(58) **Field of Search** D3/254, 257, 273, D3/276, 904, 905; 206/315.1, 579; 190/111, 109, 102

(56) **References Cited**

U.S. PATENT DOCUMENTS

3,292,747 A	* 12/1966	Dawson	190/111
D264,146 S	* 5/1982	Davis	D3/254

1 Claim, 6 Drawing Sheets



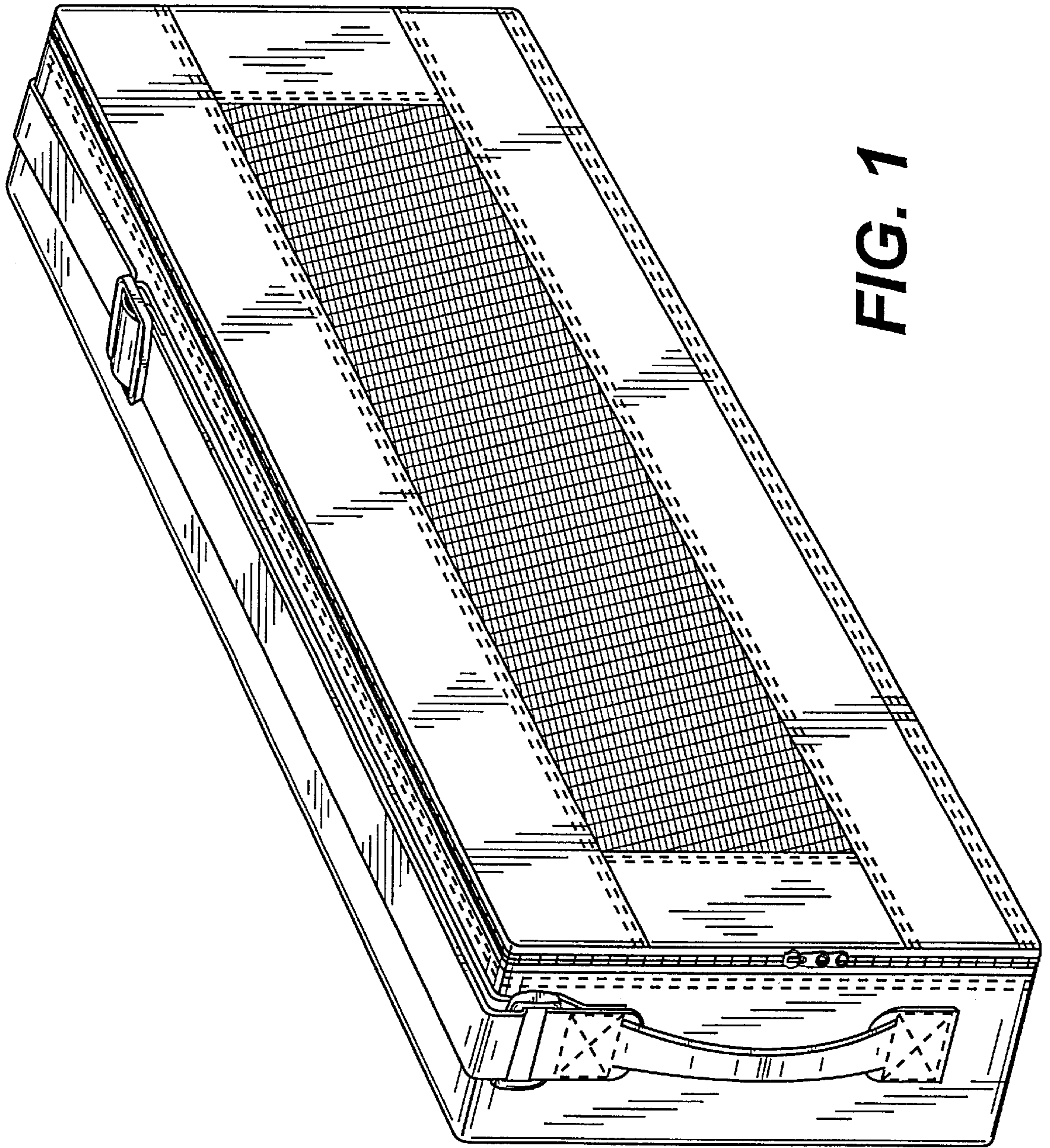


FIG. 1

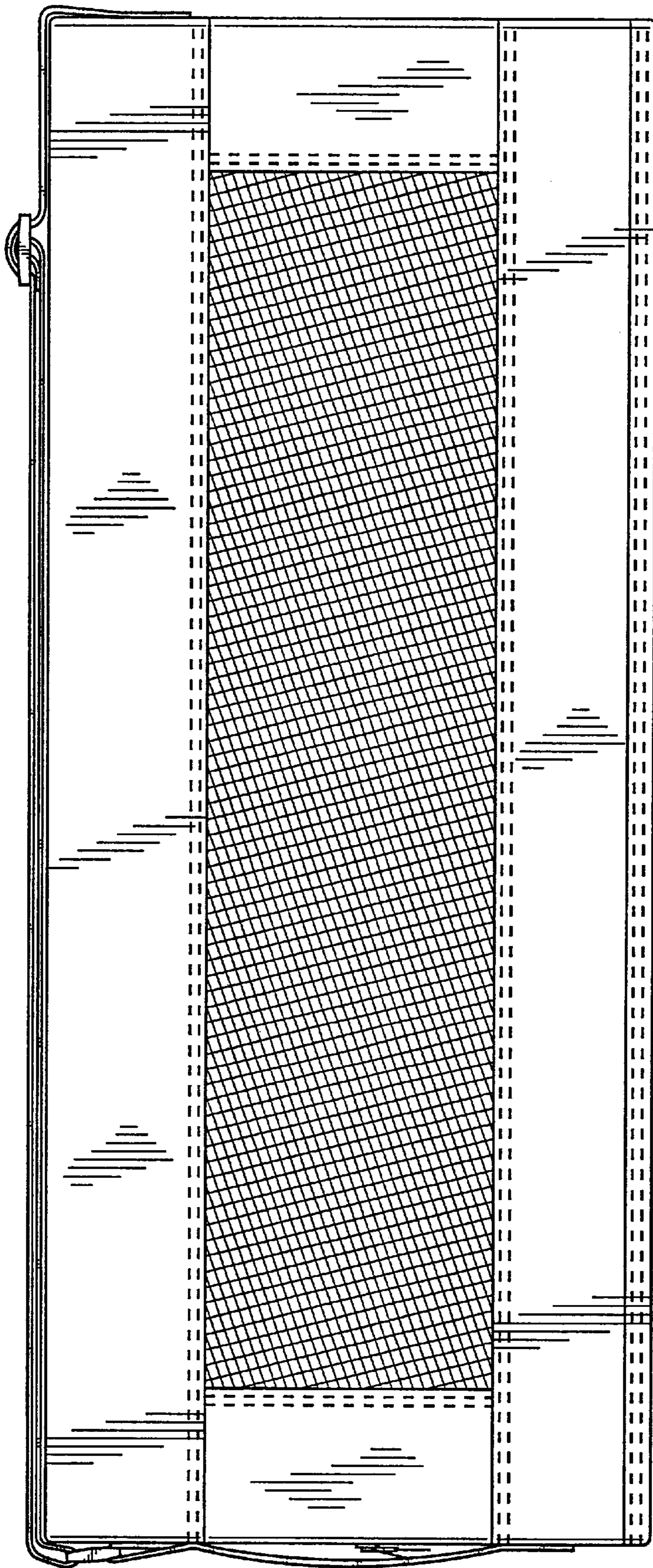


FIG. 2

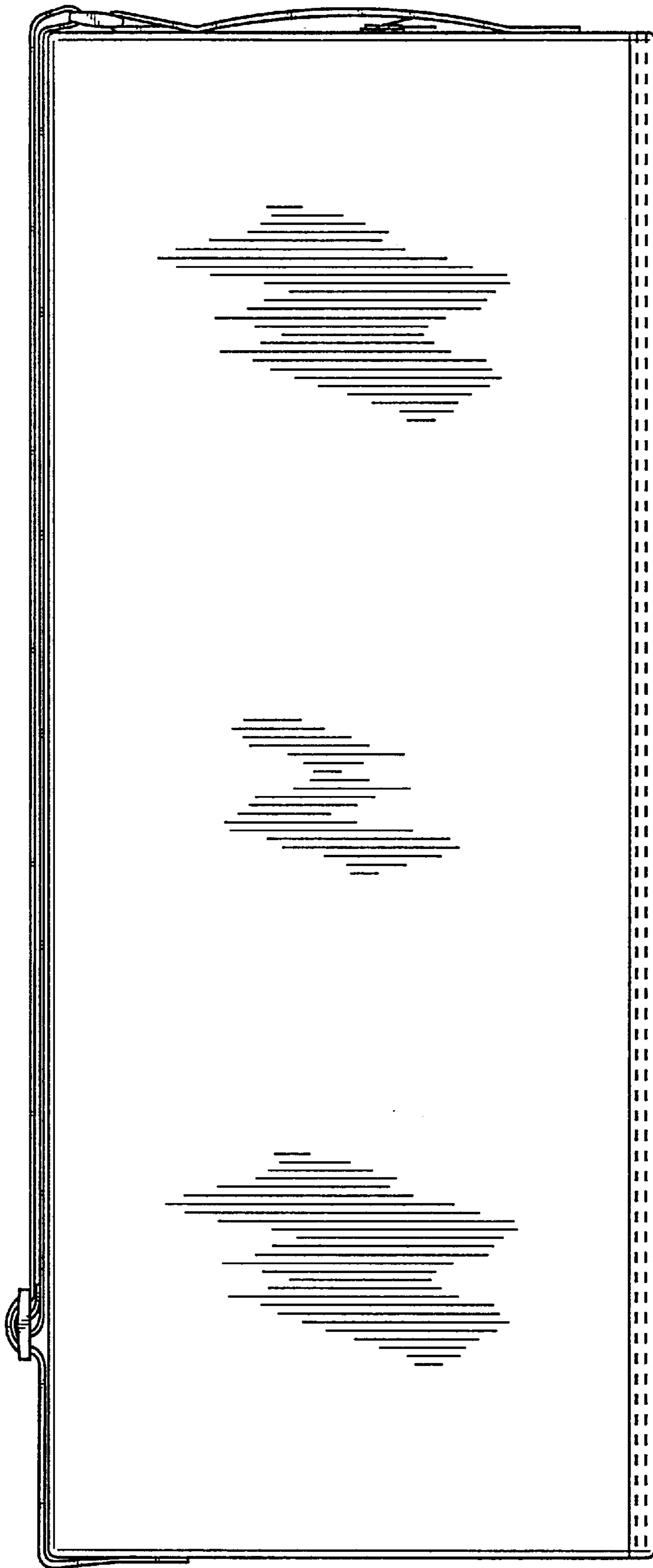


FIG. 3

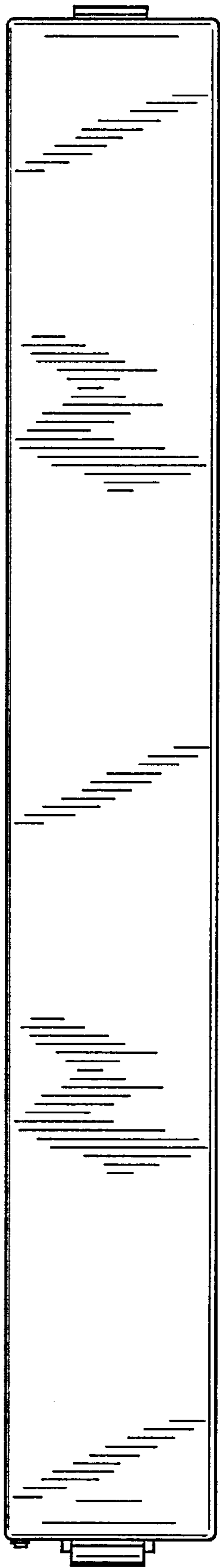


FIG. 4

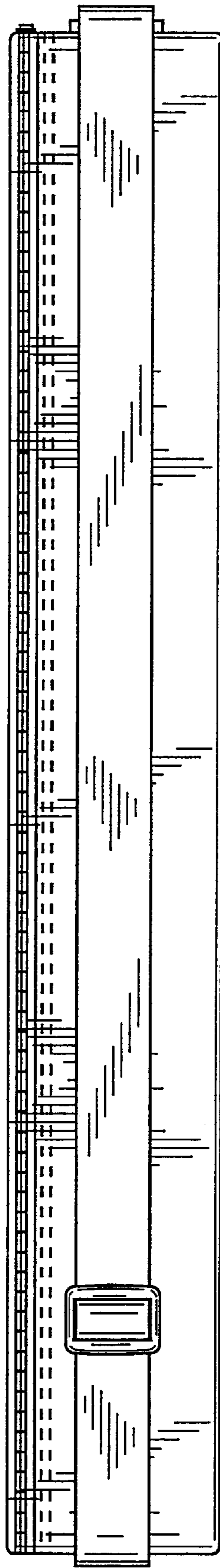


FIG. 5

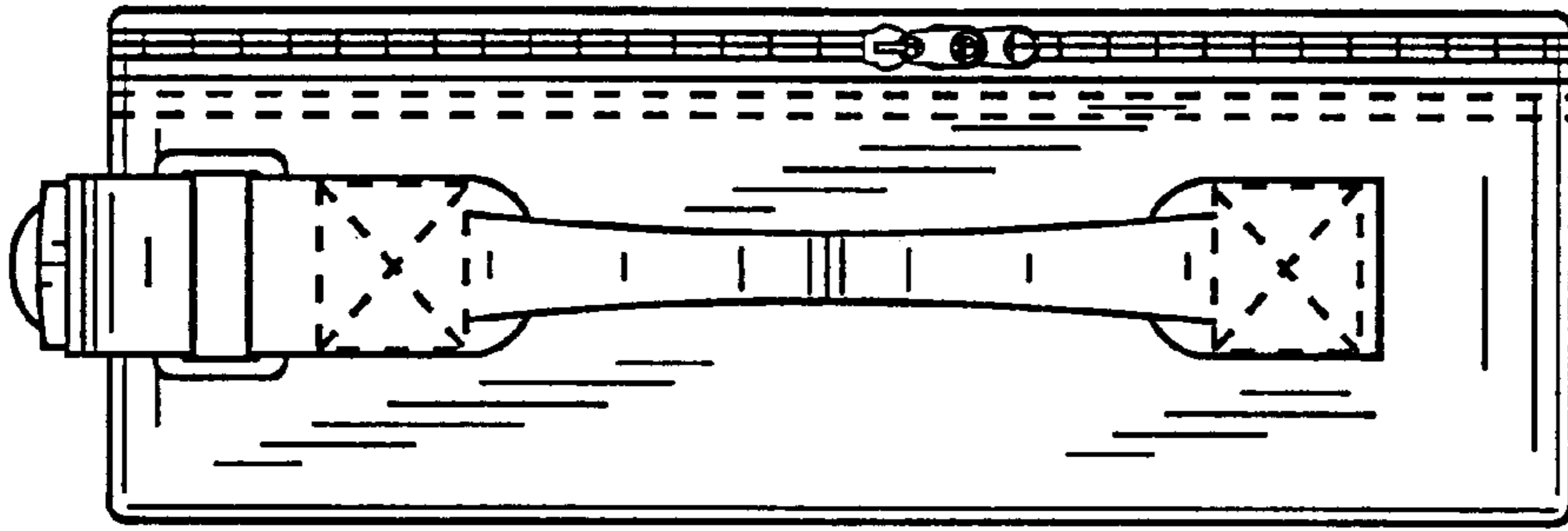


FIG. 6

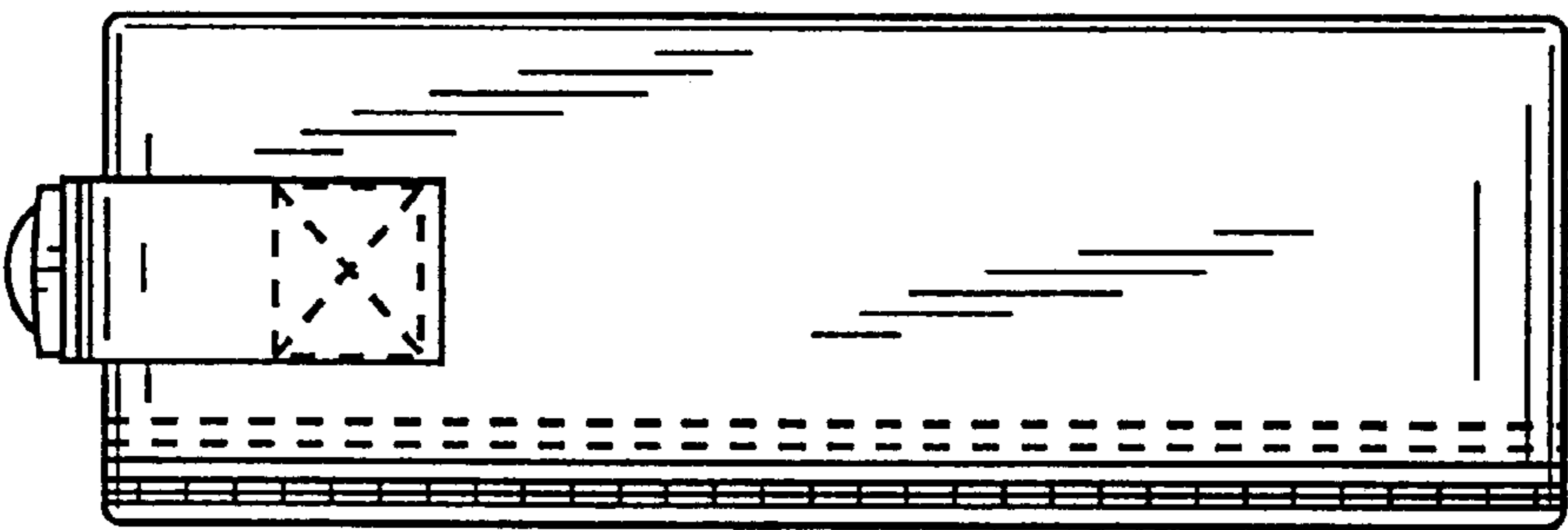


FIG. 7

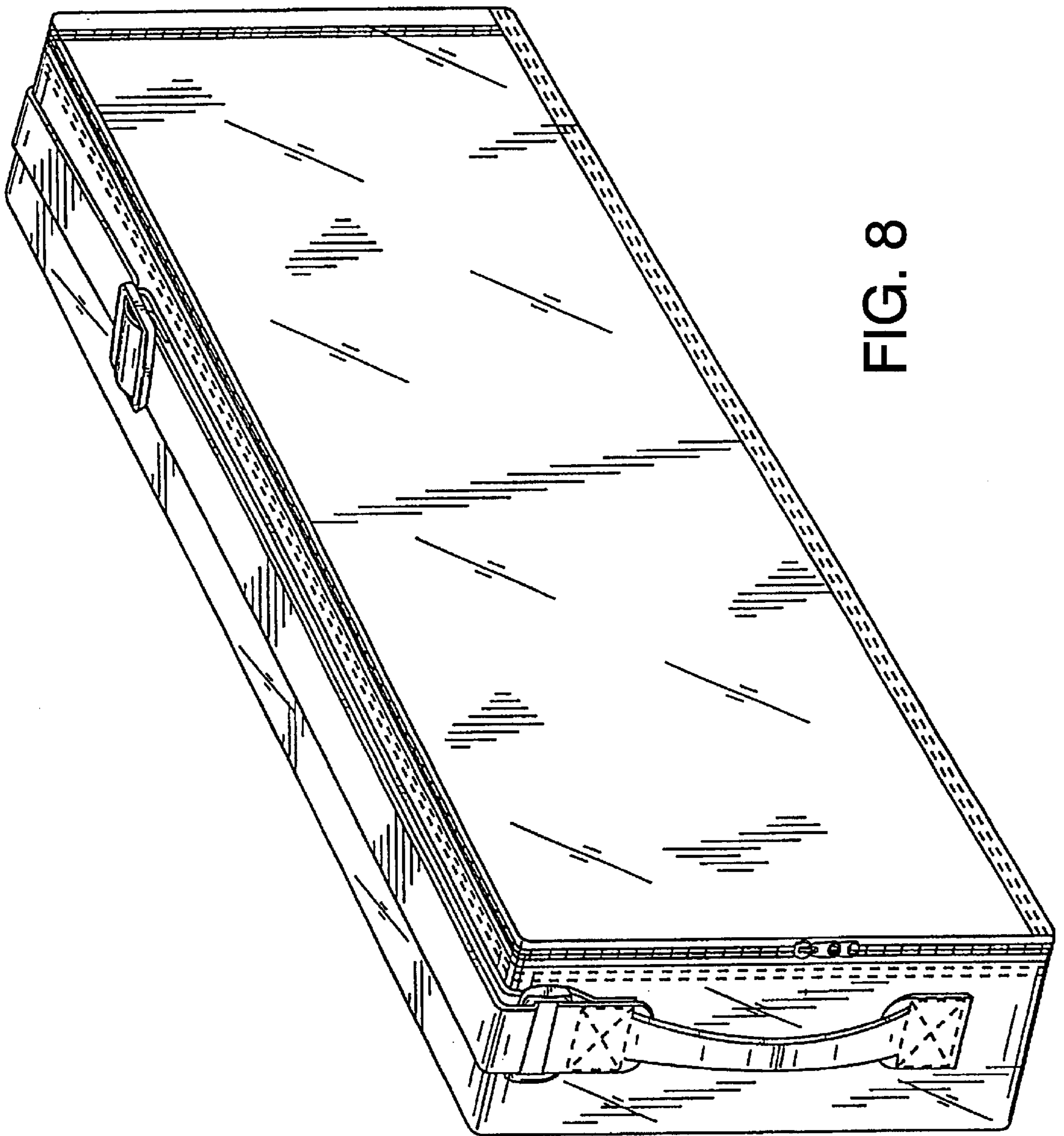


FIG. 8