



US00D459873S

(12) **United States Design Patent**  
**Stillwell et al.**

(10) **Patent No.:** **US D459,873 S**

(45) **Date of Patent:** **\*\* Jul. 9, 2002**

(54) **MEDICATION DISPENSER**

(76) Inventors: **Kenneth Stillwell**, 1137 County Rd.  
1763, Joppa, AL (US) 35087-2252;  
**Kenneth Stillwell, Jr.**, 268 Bonds  
Chapel Rd., Albertville, AL (US) 35950

(\*\*) Term: **14 Years**

(21) Appl. No.: **29/137,606**

(22) Filed: **Feb. 23, 2001**

(51) **LOC (7) Cl.** ..... **03-01**

(52) **U.S. Cl.** ..... **D3/203**

(58) **Field of Search** ..... D3/201, 203, 205,  
D3/273, 294, 295, 901; D9/341, 414, 432;  
D24/224, 226, 227, 230, 231; 206/349;  
43/54.1; 606/185, 188; 227/67

(56) **References Cited**

**U.S. PATENT DOCUMENTS**

2,492,864 A	*	12/1949	Hermani	.....	D3/203
3,570,707 A	*	3/1971	Finkel	.....	D9/341
D252,912 S		9/1979	Rideout		
D273,093 S		3/1984	Lunden et al.		
D279,864 S		7/1985	Ridgley		
D286,137 S		10/1986	Huck et al.		
4,756,412 A	*	7/1988	Graves et al.	.....	43/54.1
D301,202 S		5/1989	Canet		
D310,938 S		10/1990	Vigil		
D314,665 S	*	2/1991	Wu et al.	.....	D3/282
D320,156 S		9/1991	Leopoldi et al.		
D340,860 S		11/1993	Gordon et al.		
D419,345 S		1/2000	Dumont et al.		
D424,850 S		5/2000	Handfield et al.		

\* cited by examiner

*Primary Examiner*—Louis S. Zarfaz

*Assistant Examiner*—Deanne Levy

(74) *Attorney, Agent, or Firm*—Lanier Ford Shaver & Payne PC; Gerald M. Walsh

(57) **CLAIM**

We claim the ornamental design for a medication dispenser, as shown and described.

**DESCRIPTION**

FIG. 1 is a top, front, and left side perspective view of the medication dispenser of the present invention.

FIG. 2 is a top plan view of the medication dispenser of FIG. 1.

FIG. 3 is a bottom plan view of the medication dispenser of FIG. 1.

FIG. 4 is a front elevational view of the medication dispenser of FIG. 1.

FIG. 5 is a rear elevational view of the medication dispenser of FIG. 1.

FIG. 6 is a left side elevational view of the medication dispenser of FIG. 1.

FIG. 7 is a right side elevational view of the medication dispenser of FIG. 1.

FIG. 8 is a top, front, and left side perspective view of the medication dispenser of the present invention in the open condition.

FIG. 9 is a top plan view of the medication dispenser of FIG. 8.

FIG. 10 is a bottom plan view of the medication dispenser of FIG. 8.

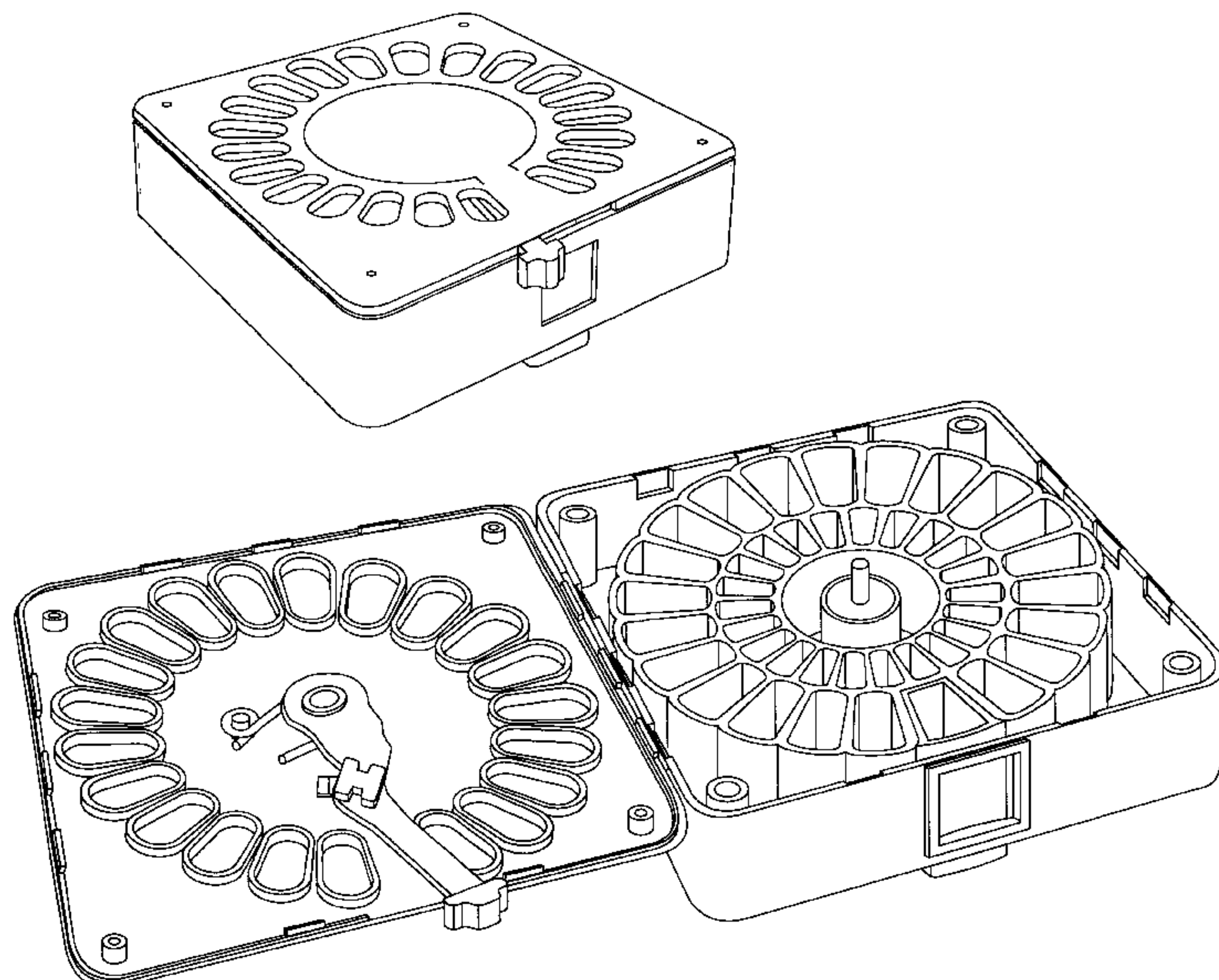
FIG. 11 is a front elevational view of the medication dispenser of FIG. 8.

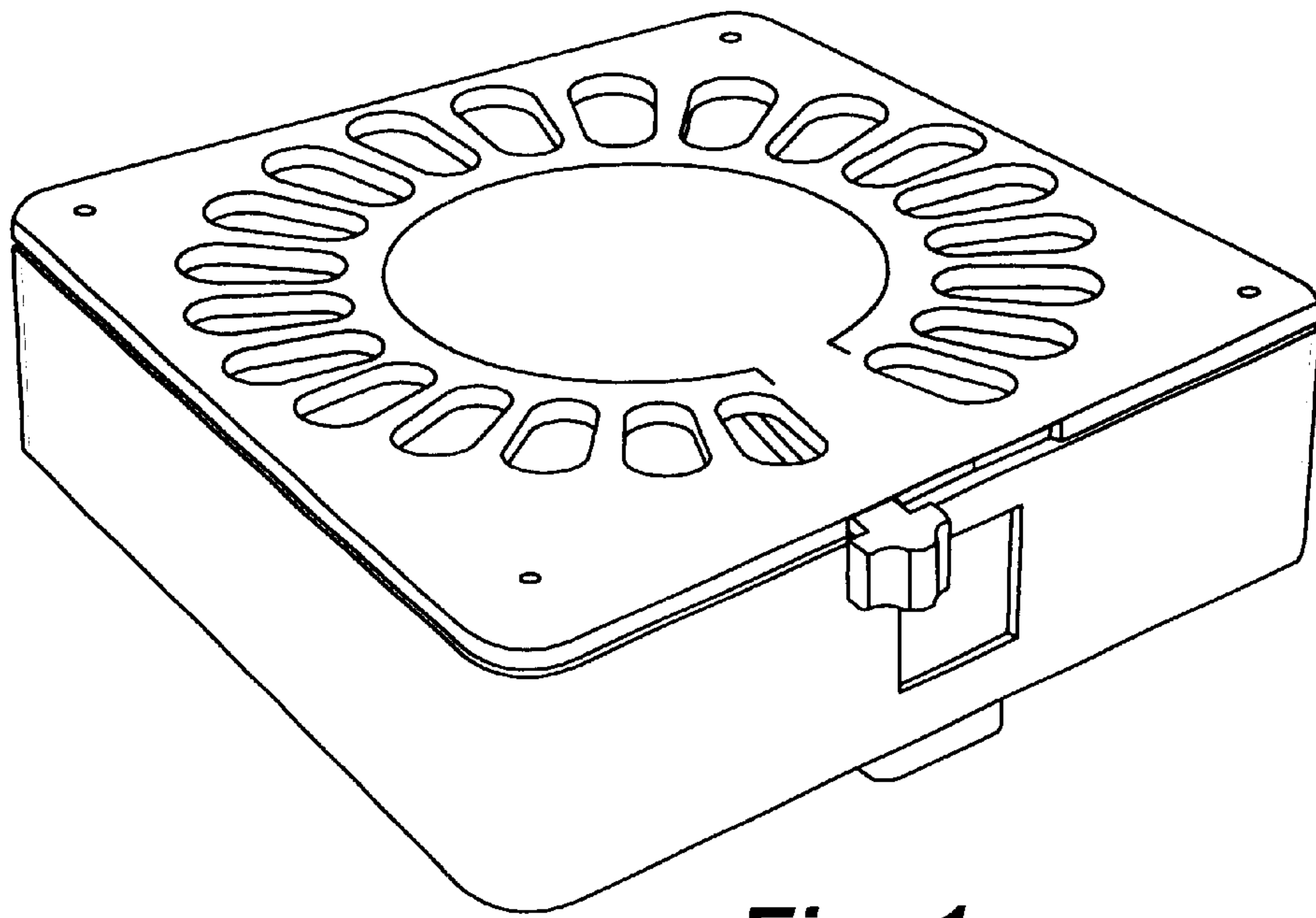
FIG. 12 is a rear elevational view of the medication dispenser of FIG. 8.

FIG. 13 is a left side elevational view of the medication dispenser of FIG. 8; and,

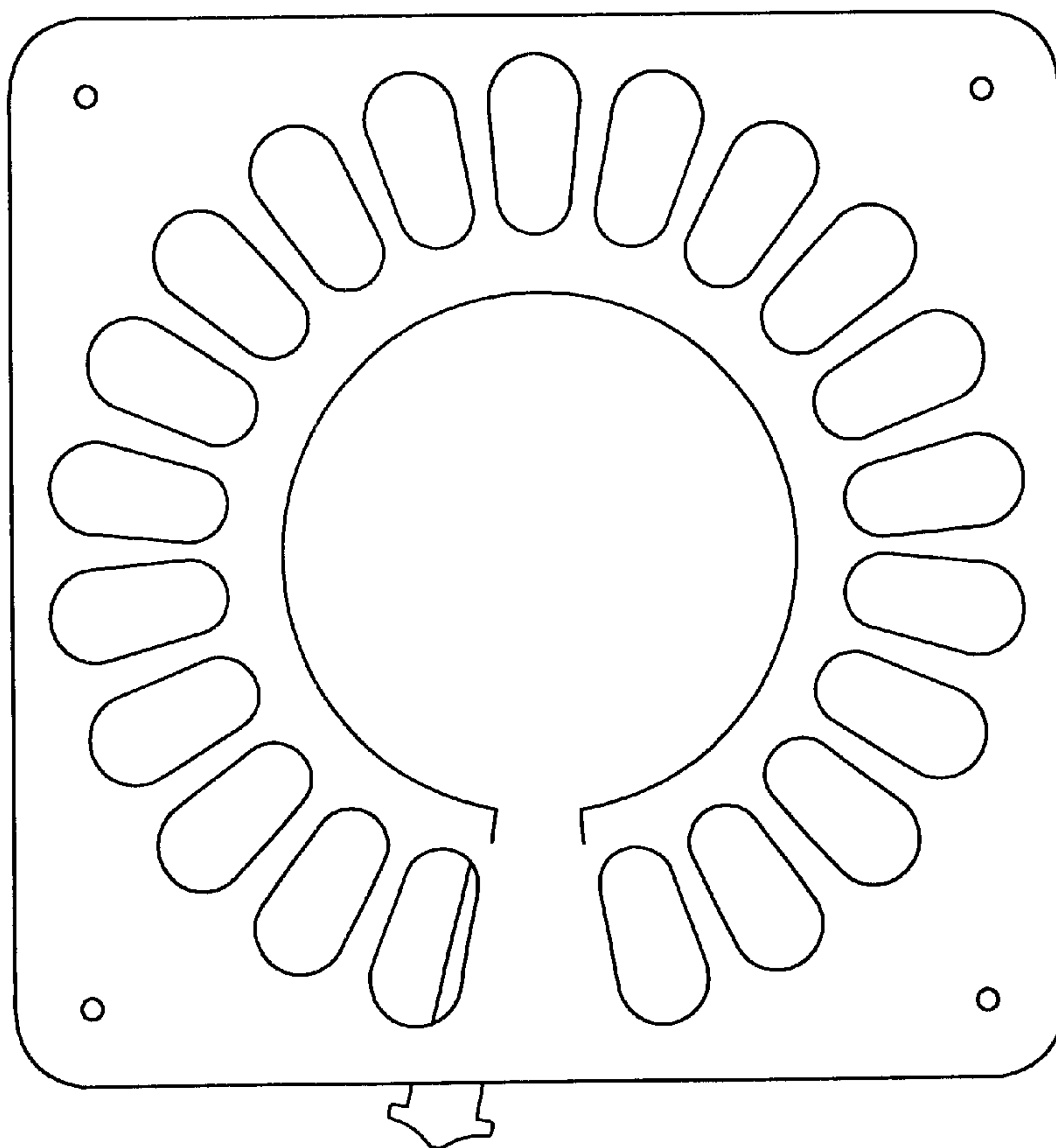
FIG. 14 is a right side elevational view of the medication dispenser of FIG. 8.

**1 Claim, 7 Drawing Sheets**

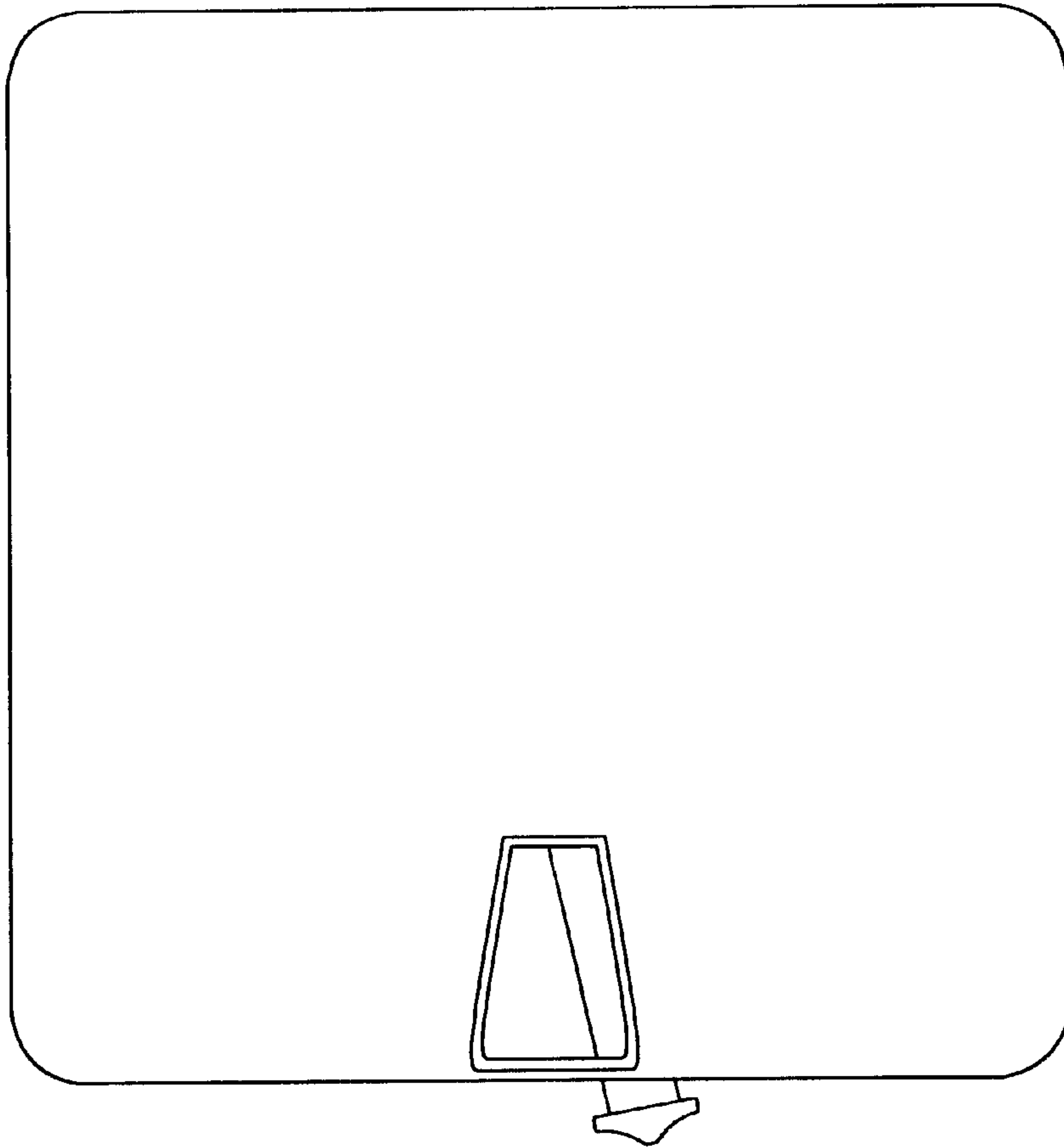




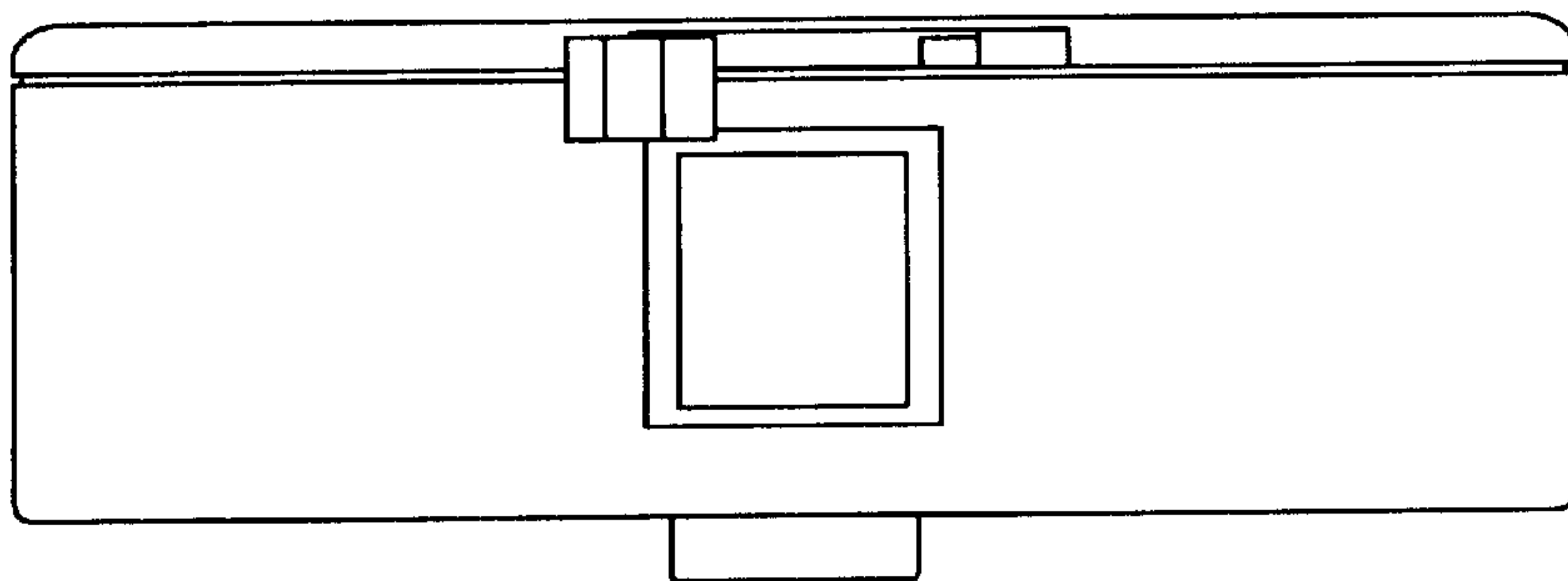
**Fig. 1**



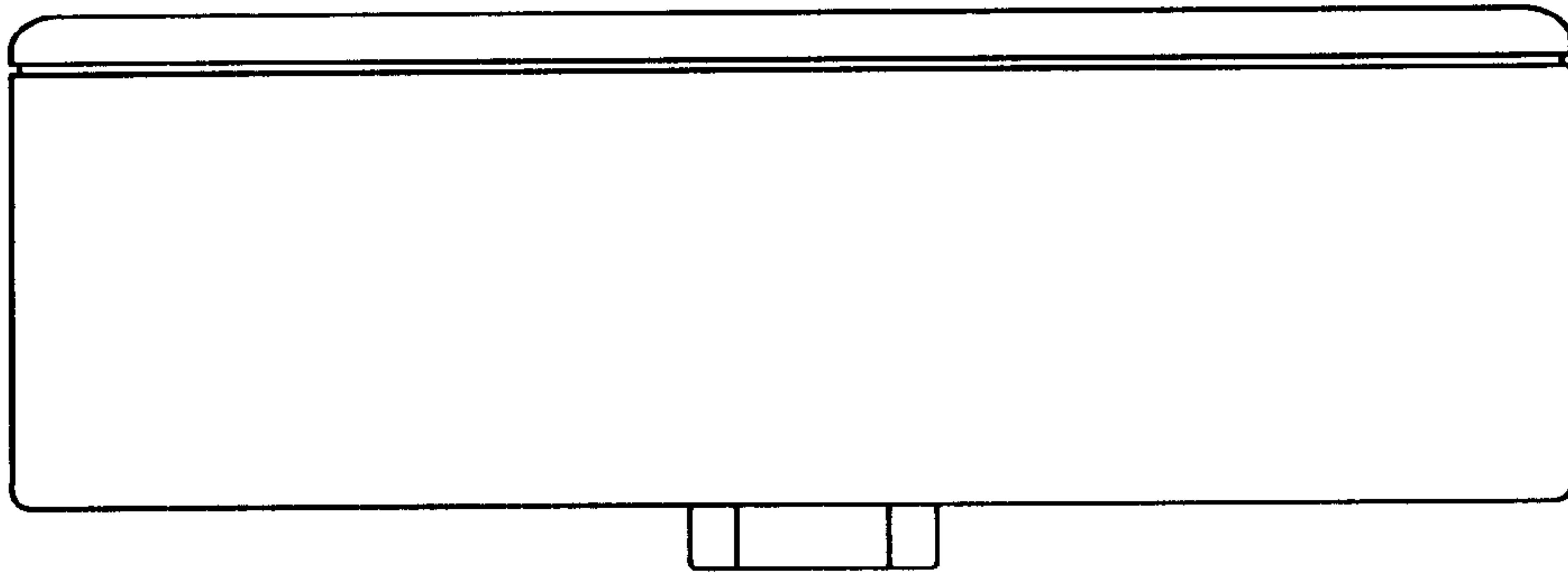
**Fig. 2**



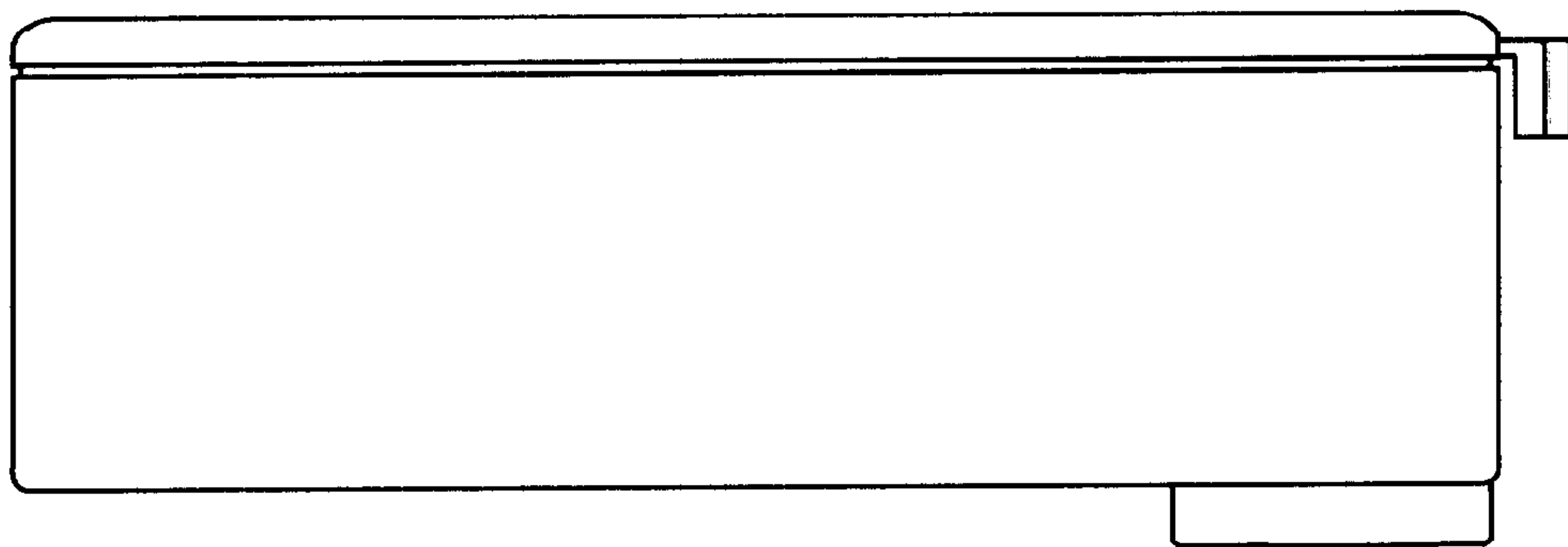
**Fig. 3**



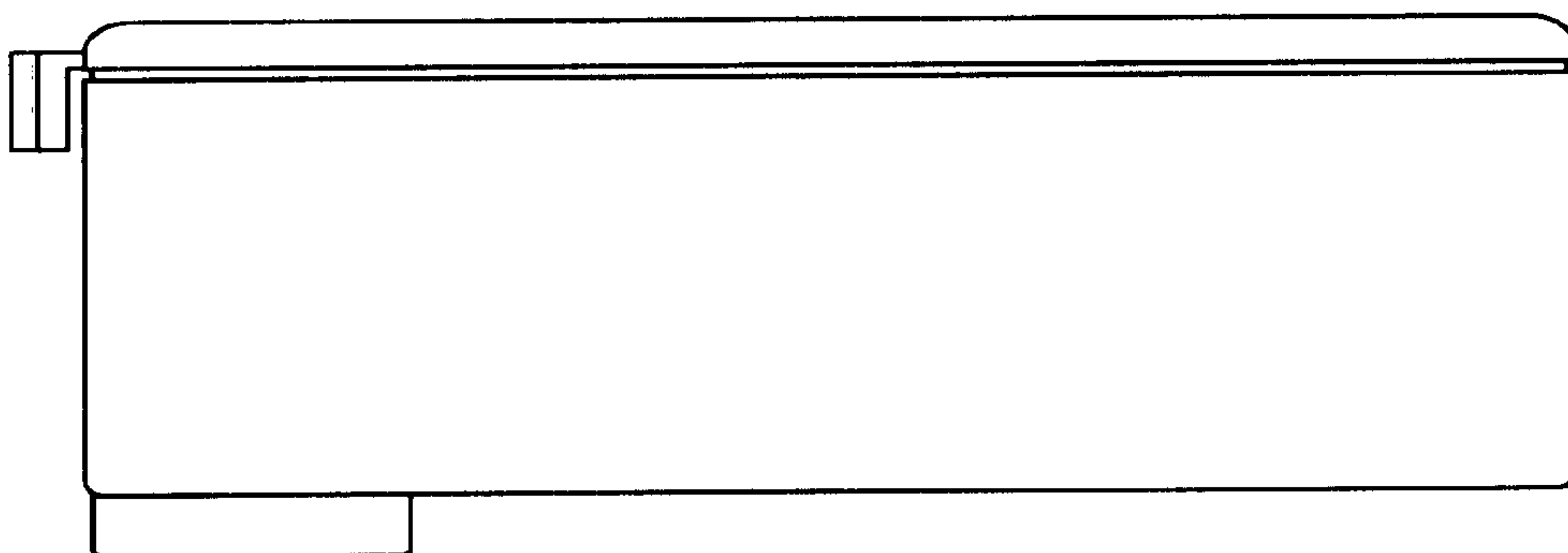
**Fig. 4**



**Fig. 5**



**Fig. 6**



**Fig. 7**



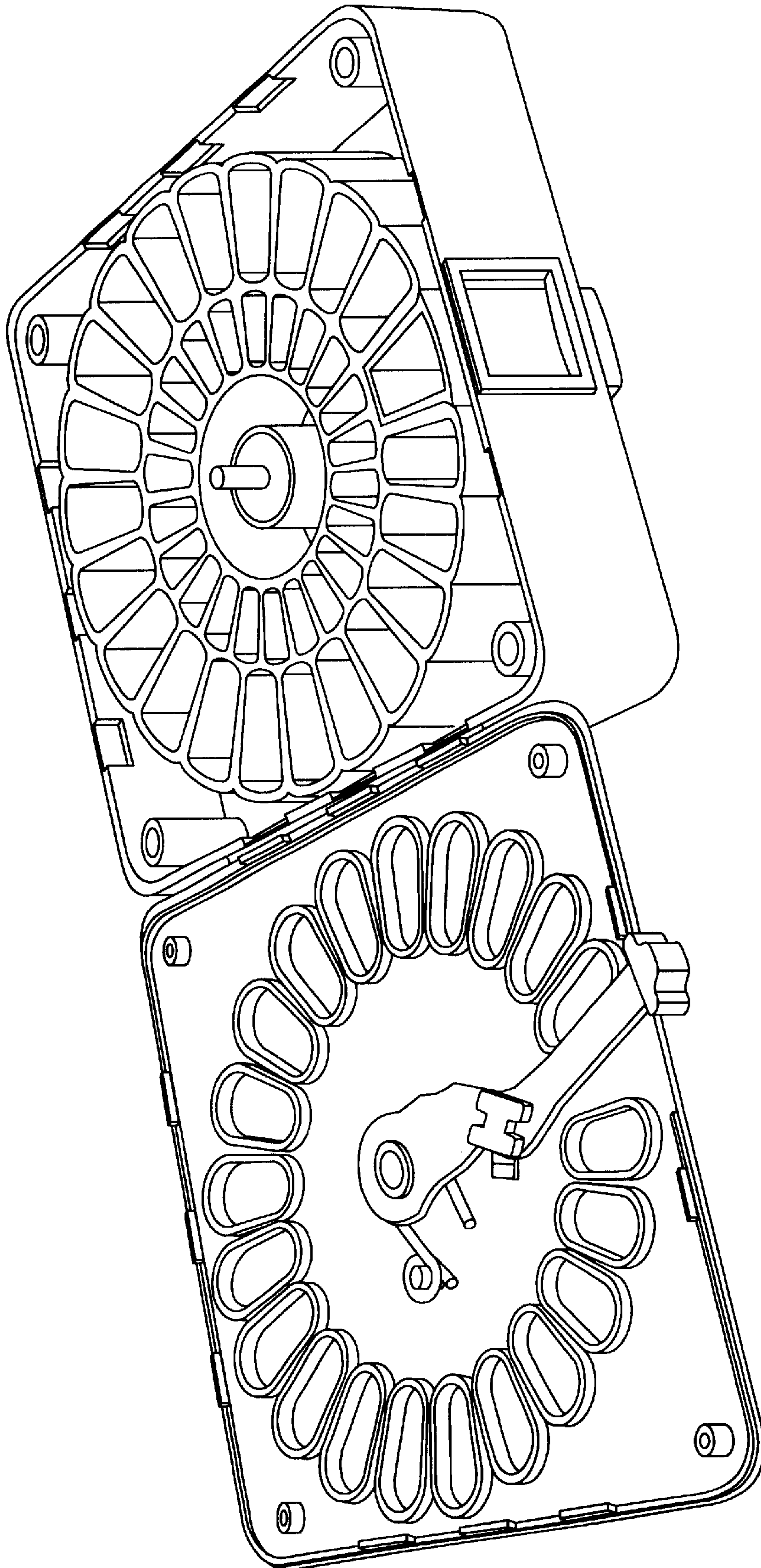
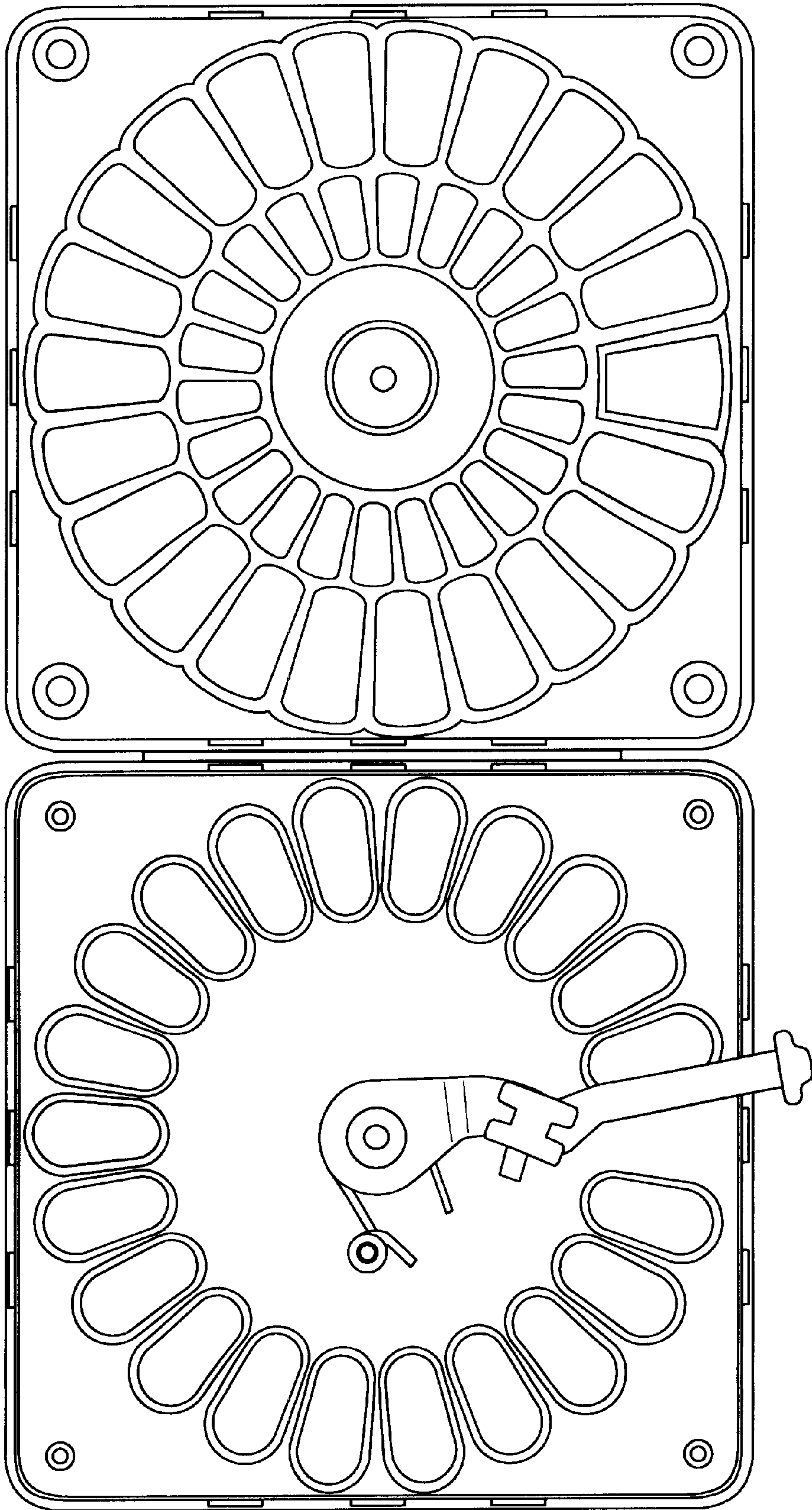
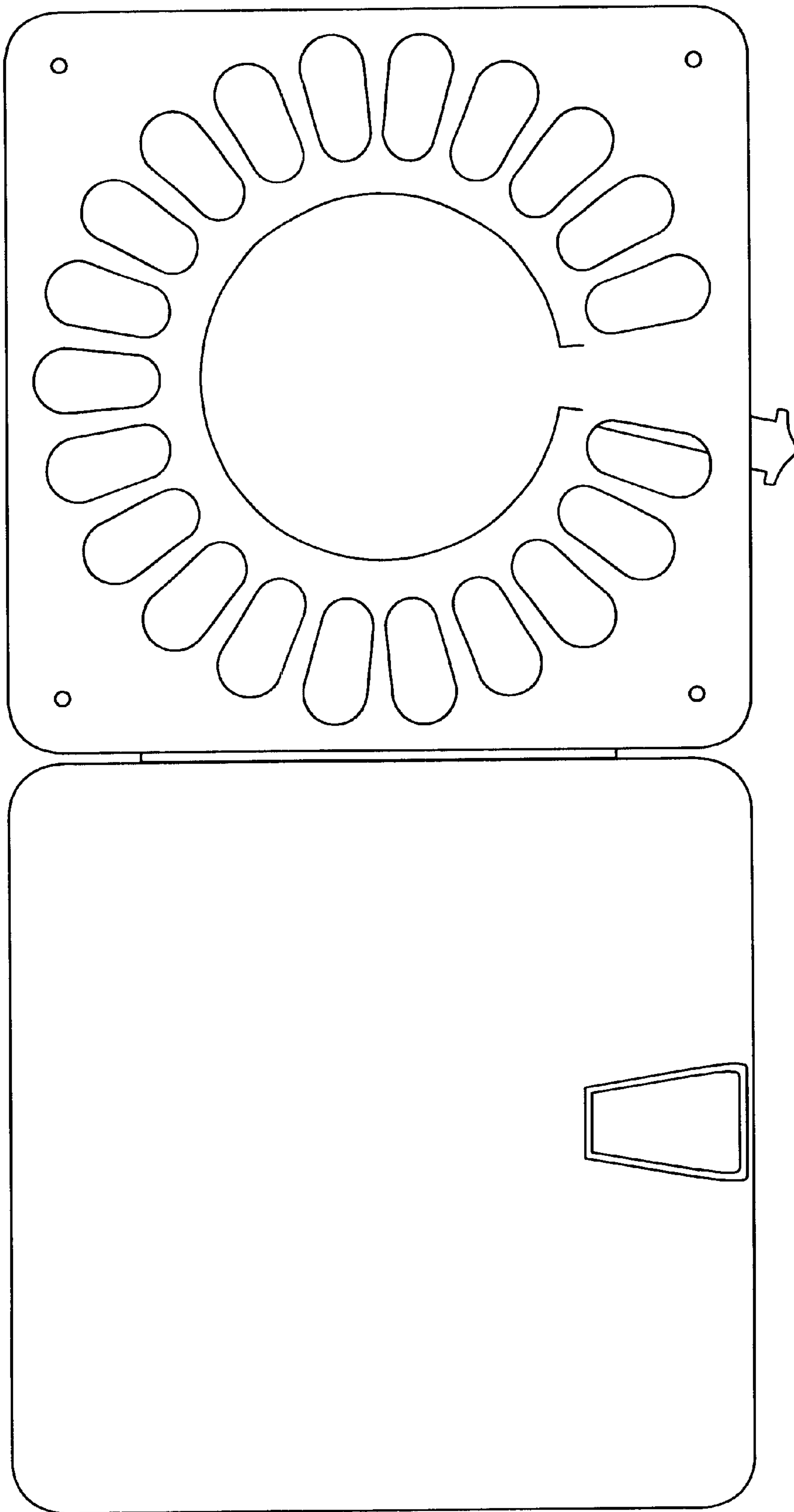


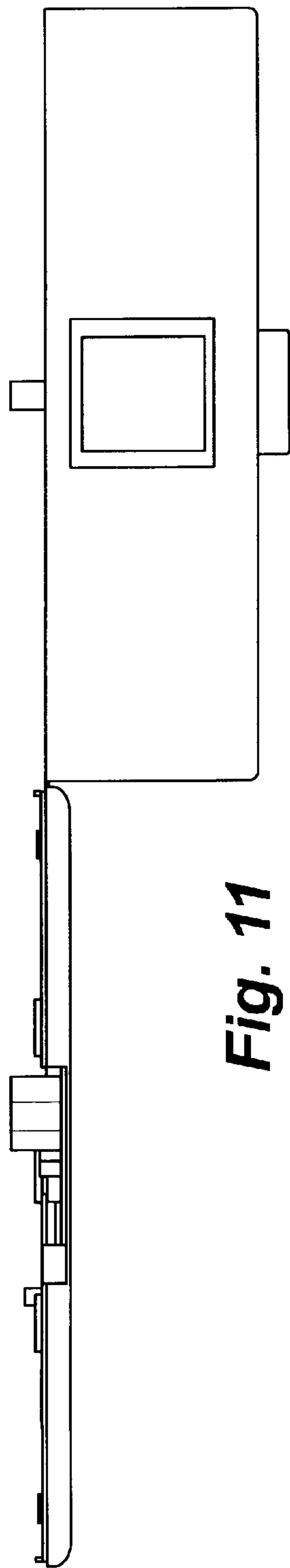
Fig. 8



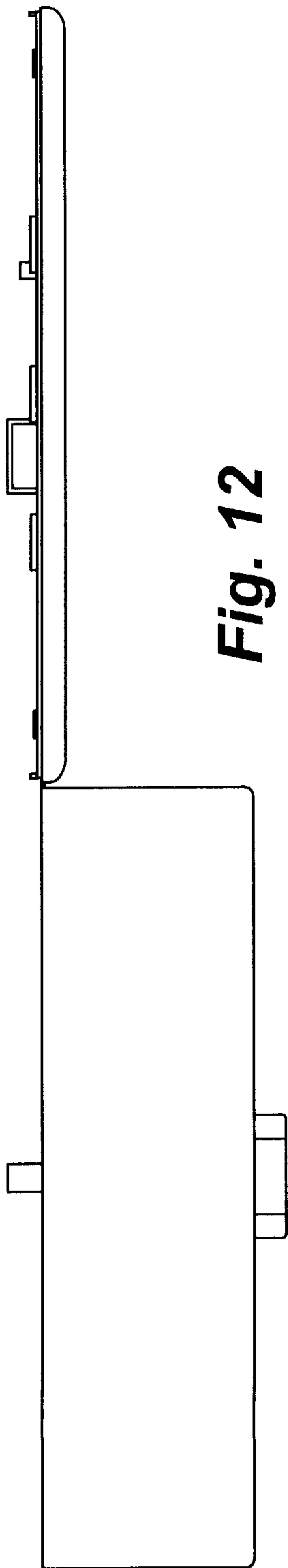
**Fig. 9**



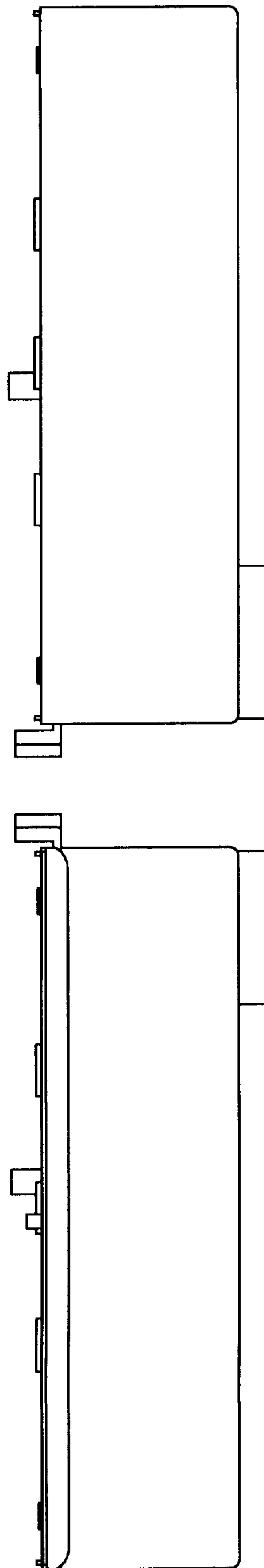
**Fig. 10**



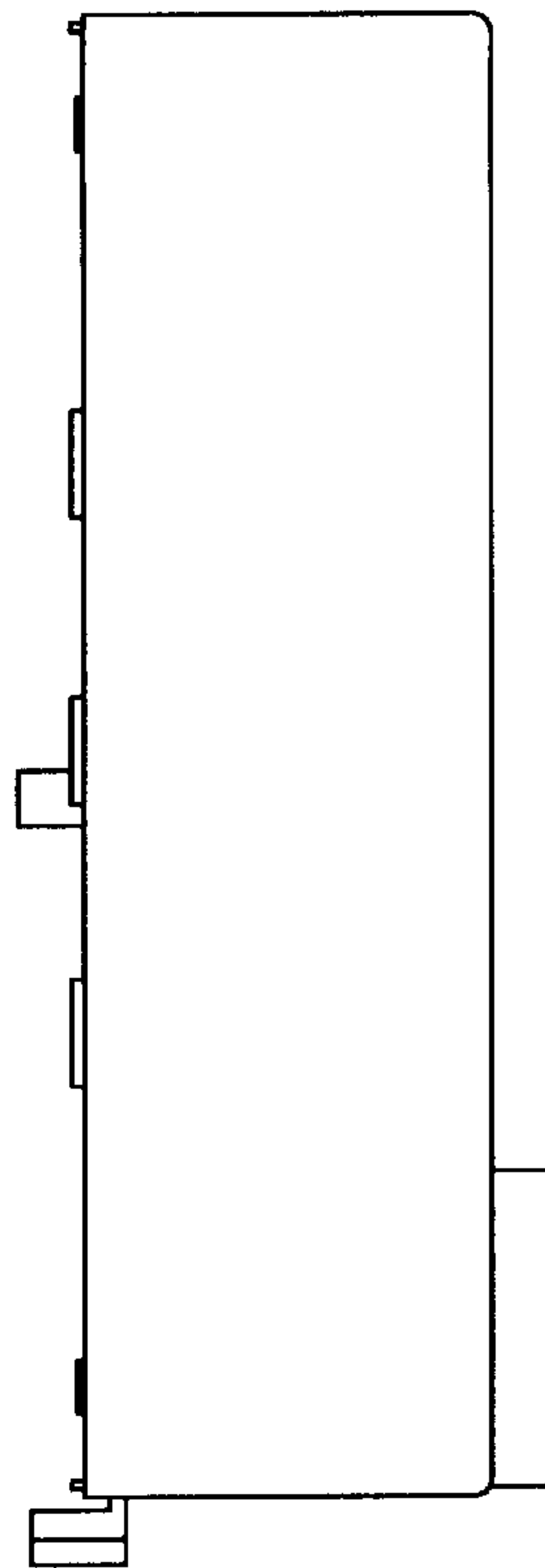
**Fig. 11**



**Fig. 12**



**Fig. 13**



**Fig. 14**