



US00D459855S

(12) **United States Design Patent**
Fujikawa et al.

(10) **Patent No.:** **US D459,855 S**

(45) **Date of Patent:** **** Jul. 2, 2002**

(54) **LIFTING HOOK**

(75) Inventors: **Masaru Fujikawa; Koji Saai**, both of
Osaka (JP)

(73) Assignee: **Elephant Chain Block Co., Ltd.** (JP)

(**) Term: **14 Years**

(21) Appl. No.: **29/127,848**

(22) Filed: **Aug. 15, 2000**

(30) **Foreign Application Priority Data**

Apr. 10, 2000 (JP) 2000-009229

(51) **LOC (7) Cl.** **12-05**

(52) **U.S. Cl.** **D34/35; D8/367**

(58) **Field of Search** D34/38, 39, 10,
D34/35; D8/382, 383, 367; 220/320; 294/82.1,
82.11, 82.2, 82.22; 24/115 R, 130, 115 H

(56) **References Cited**

U.S. PATENT DOCUMENTS

- 1,272,705 A * 7/1918 Pearson 294/82.1
- 1,424,238 A * 8/1922 Cochran 294/82.11
- D209,155 S * 11/1967 Van Den Houten et al. . D8/367
- 3,722,943 A * 3/1973 Kalua, Jr. 294/82.2
- D241,118 S * 8/1976 Schreyer et al. D8/367
- 4,122,585 A * 10/1978 Sharp et al. 24/115 R
- D259,540 S * 6/1981 Svensson D8/367
- D273,273 S * 4/1984 Faldide D8/367
- 4,440,432 A * 4/1984 Goris 294/82.1
- D281,222 S * 11/1985 Faidide D8/367
- D283,673 S * 5/1986 Berg D8/367
- 4,621,851 A * 11/1986 Bailey, Jr. 294/82.2
- 4,622,724 A * 11/1986 Dupre 24/130
- 4,765,667 A * 8/1988 Hamrin 284/82.22
- D297,878 S * 9/1988 Bergstrom D34/35
- 5,292,165 A * 3/1994 Wiklund 294/82.22
- D370,406 S * 6/1996 Tsai D8/382
- D389,983 S * 1/1998 Maness D34/35
- 5,765,891 A * 6/1998 Fredriksson 294/82.11
- 5,851,040 A * 12/1998 Fredriksson 294/82.11

- D407,300 S * 3/1999 Catlett D8/367
- D407,301 S * 3/1999 Donalies D8/382
- 5,884,950 A * 3/1999 Fredriksson 294/82.11
- 6,039,500 A * 3/2000 Kwon 294/82.1
- 6,219,888 B1 * 4/2001 Lynch 24/115 R
- D442,071 S * 5/2001 Stribel D8/367
- 6,283,523 B1 * 9/2001 Simond 294/82.2
- D448,655 S * 10/2001 Lai D8/367
- D449,975 S * 11/2001 Smith et al. D8/367

FOREIGN PATENT DOCUMENTS

JP 59-46977 3/1984

* cited by examiner

Primary Examiner—Cynthia E. Ramirez

(74) *Attorney, Agent, or Firm*—George T. Marcou;
Kilpatrick Stockton LLP

(57) **CLAIM**

The ornamental design for a lifting hook, as shown and described.

DESCRIPTION

FIG. 1 is a perspective view of a lifting hook showing our new design;

FIG. 2 is a front view thereof;

FIG. 3 is a rear view thereof;

FIG. 4 is a right side view thereof;

FIG. 5 is a left side view thereof;

FIG. 6 is a top plan view thereof;

FIG. 7 is a bottom plan view thereof; and

FIG. 8 is a cross sectional view taken along with line A—A in FIG. 4 thereof;

FIG. 9 is a cross sectional view taken along with line B—B in FIG. 4 thereof;

FIG. 10 is a cross sectional view taken along with line C—C in FIG. 2 thereof; and,

FIG. 11 is an illustrative view thereof.

The broken line showing of a drum and chain in FIG. 11 is for illustrative purposes only and forms no part of the claimed design.

1 Claim, 6 Drawing Sheets

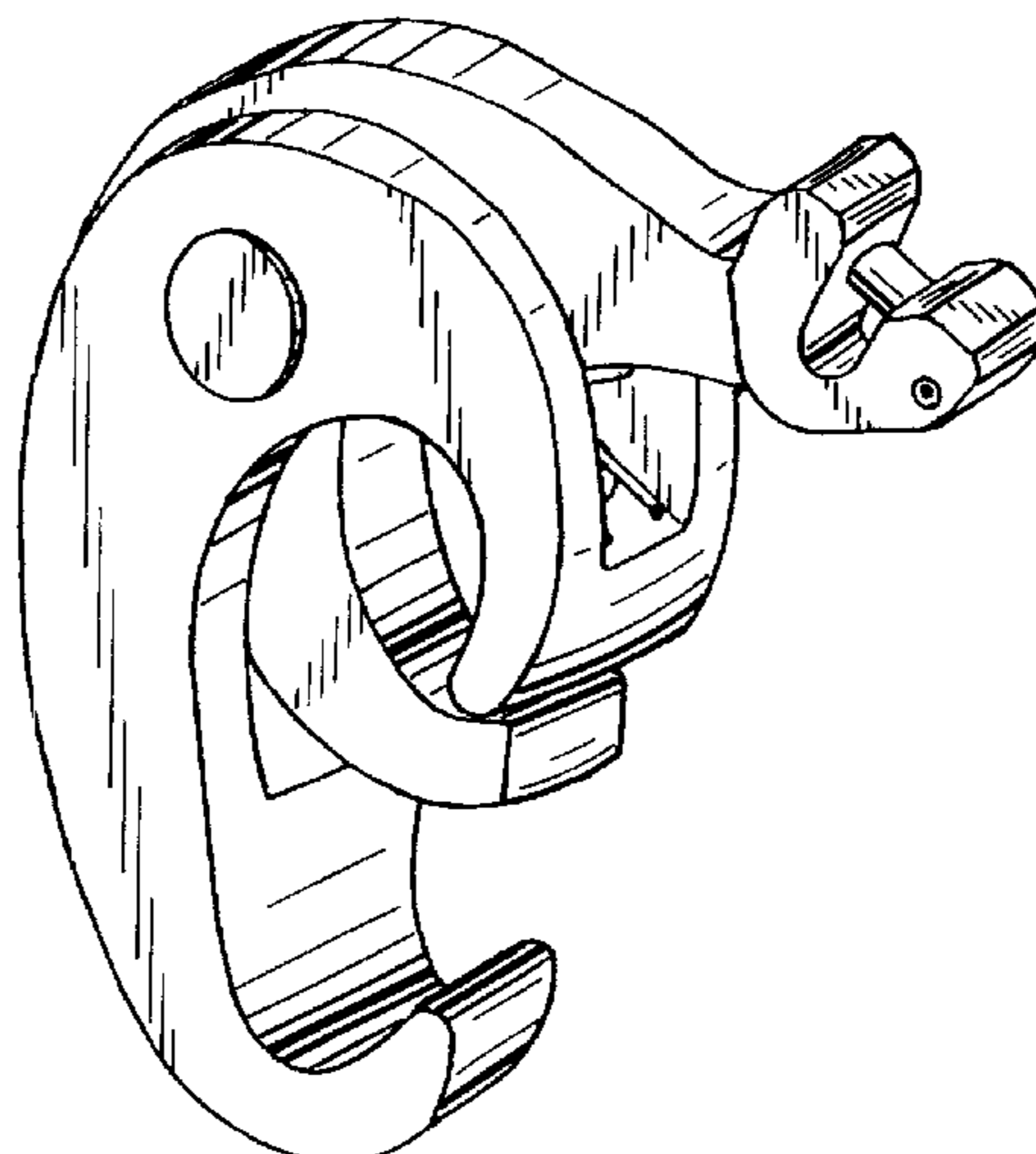


FIG.1

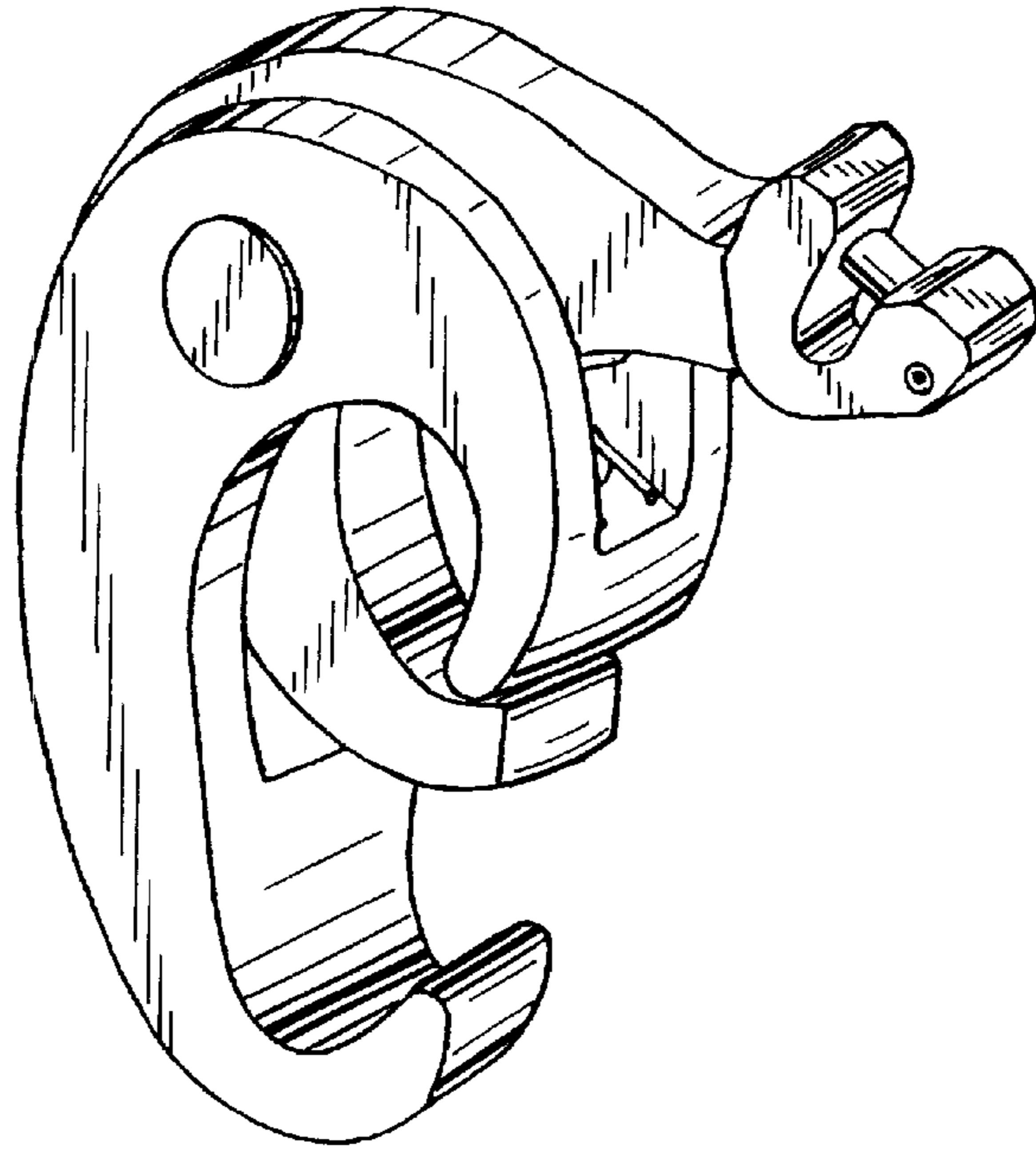


FIG.2

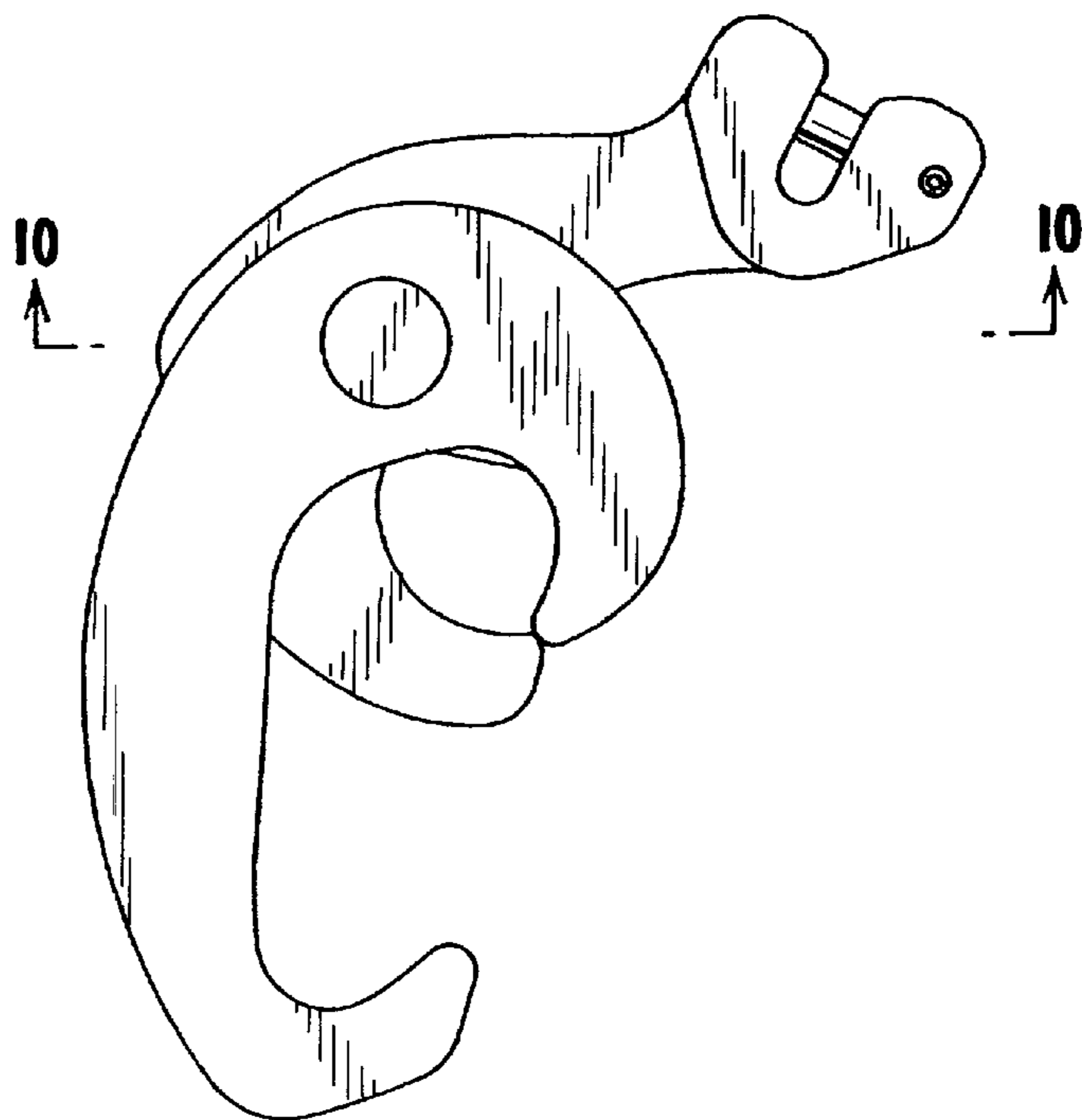


FIG.3

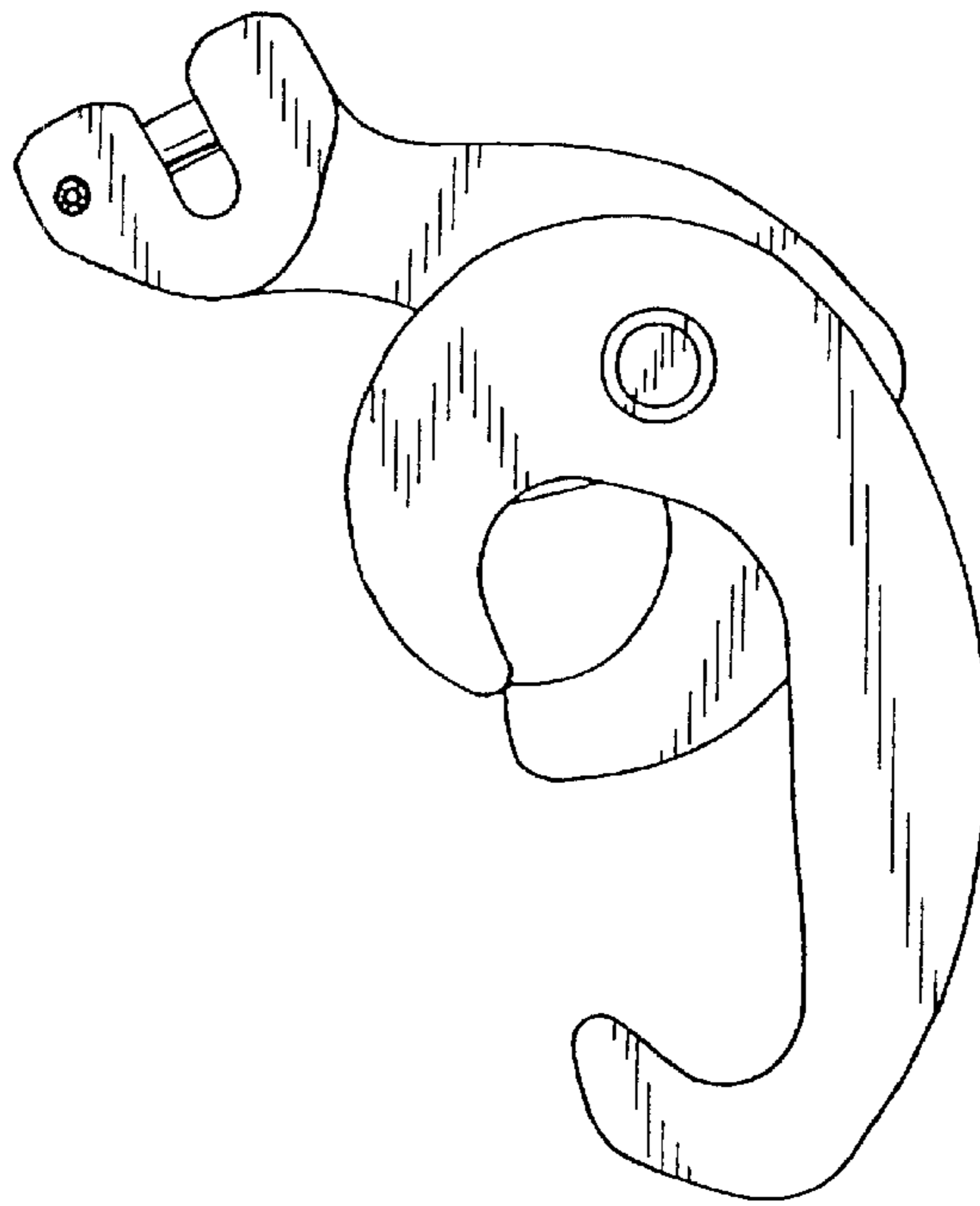


FIG.4

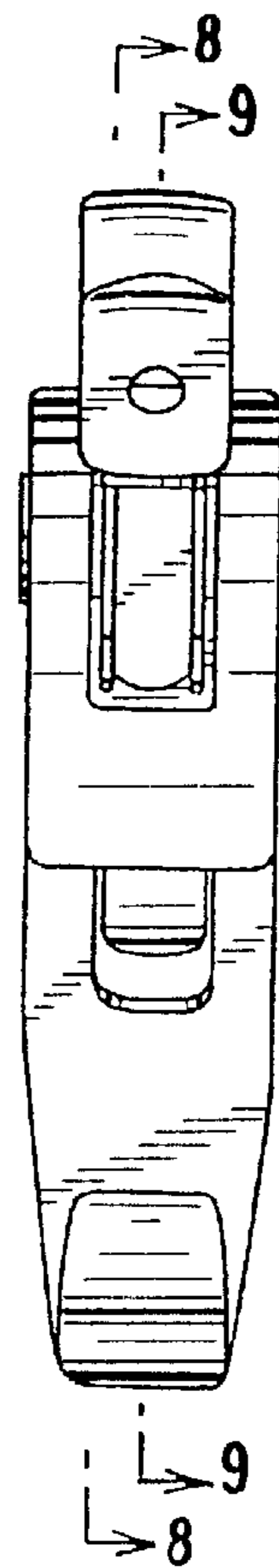


FIG.5

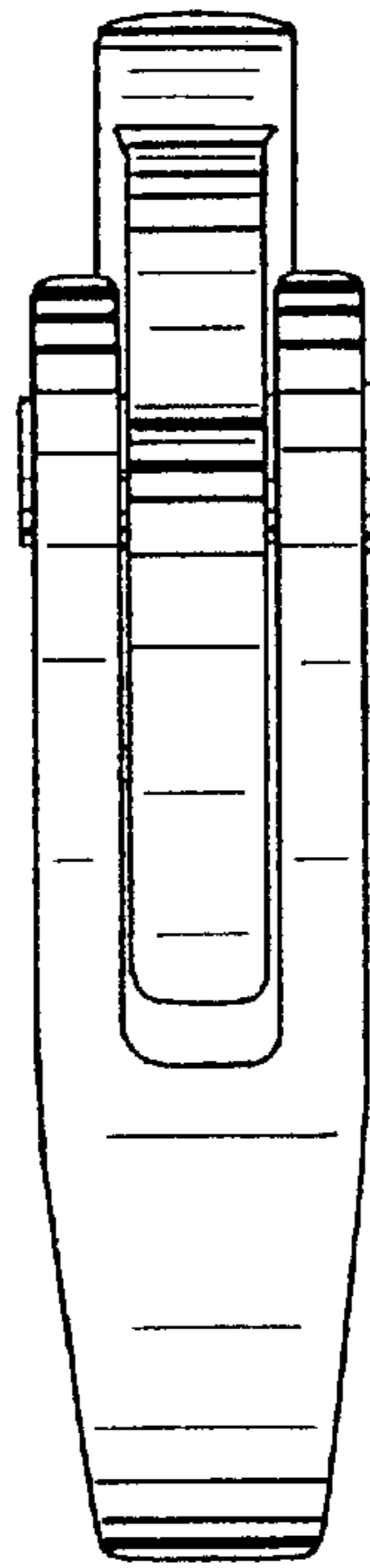


FIG.6

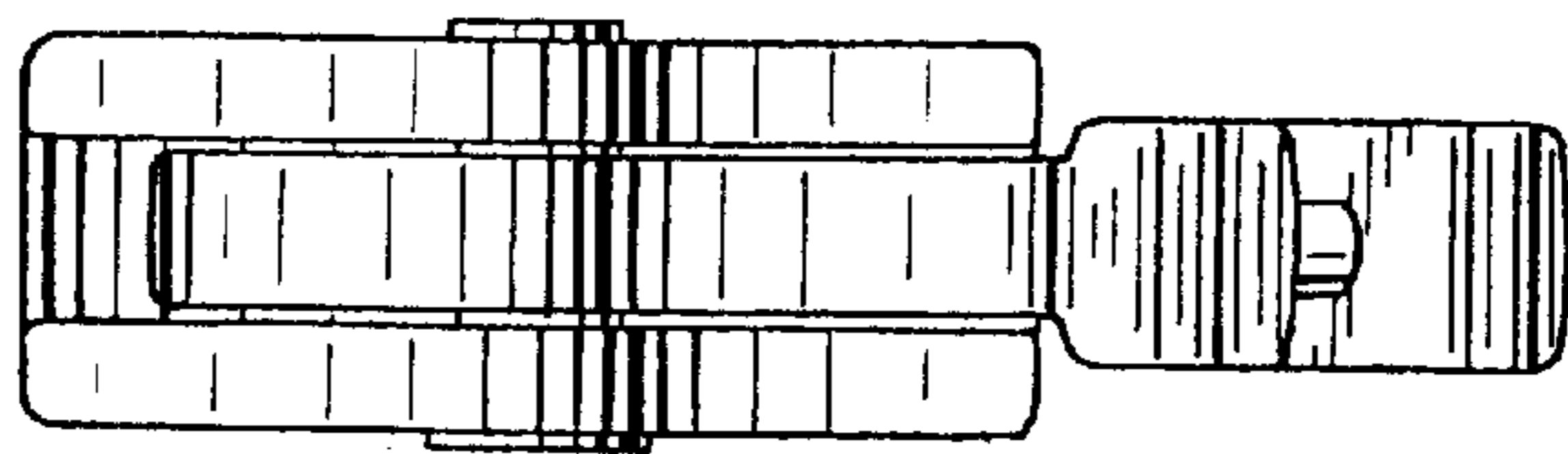


FIG.7

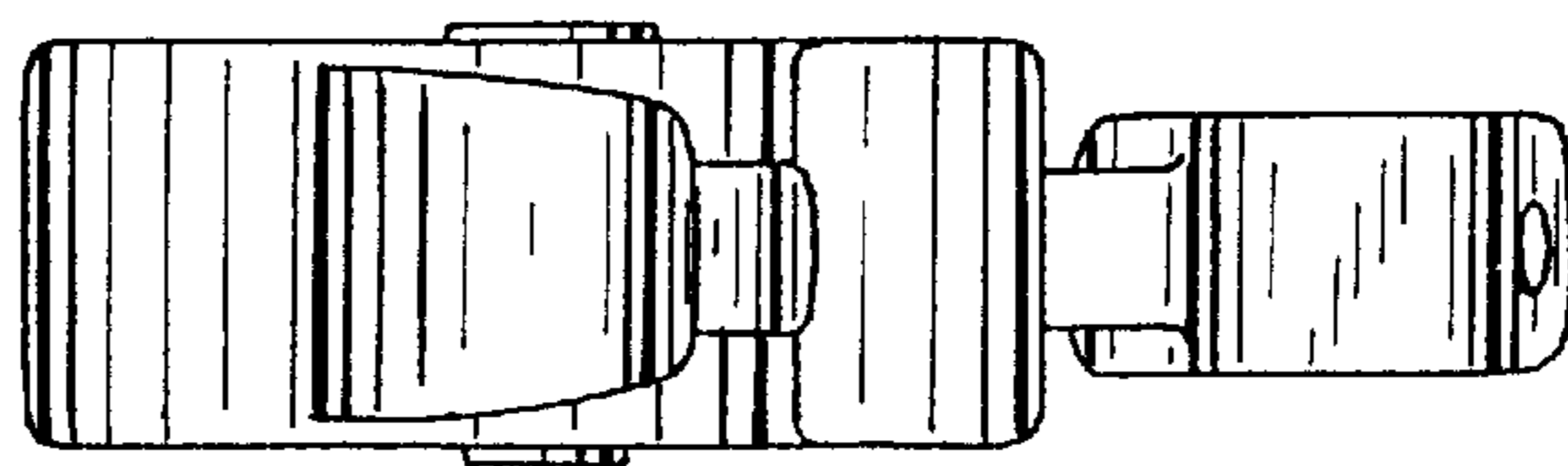


FIG.8

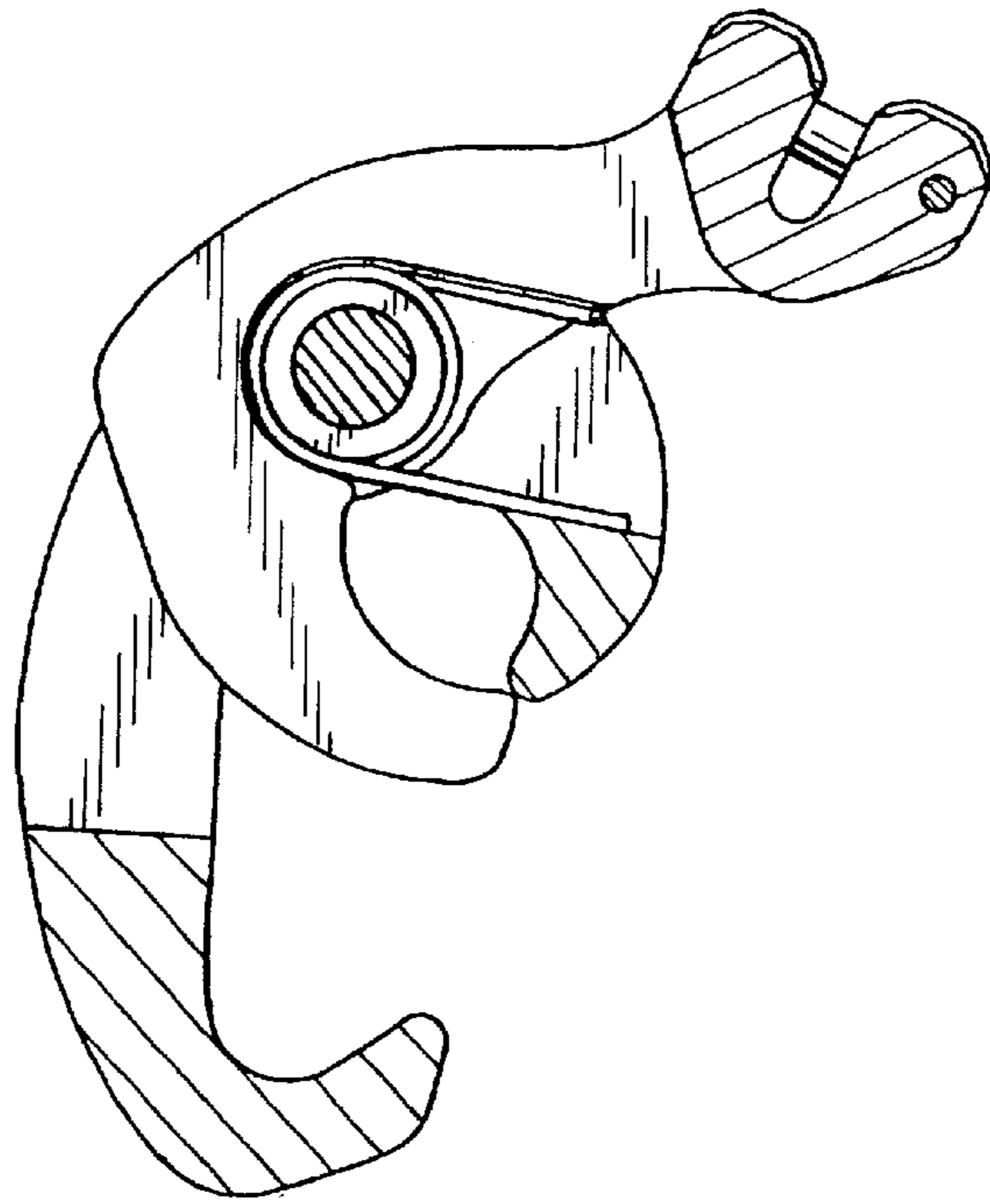


FIG.9

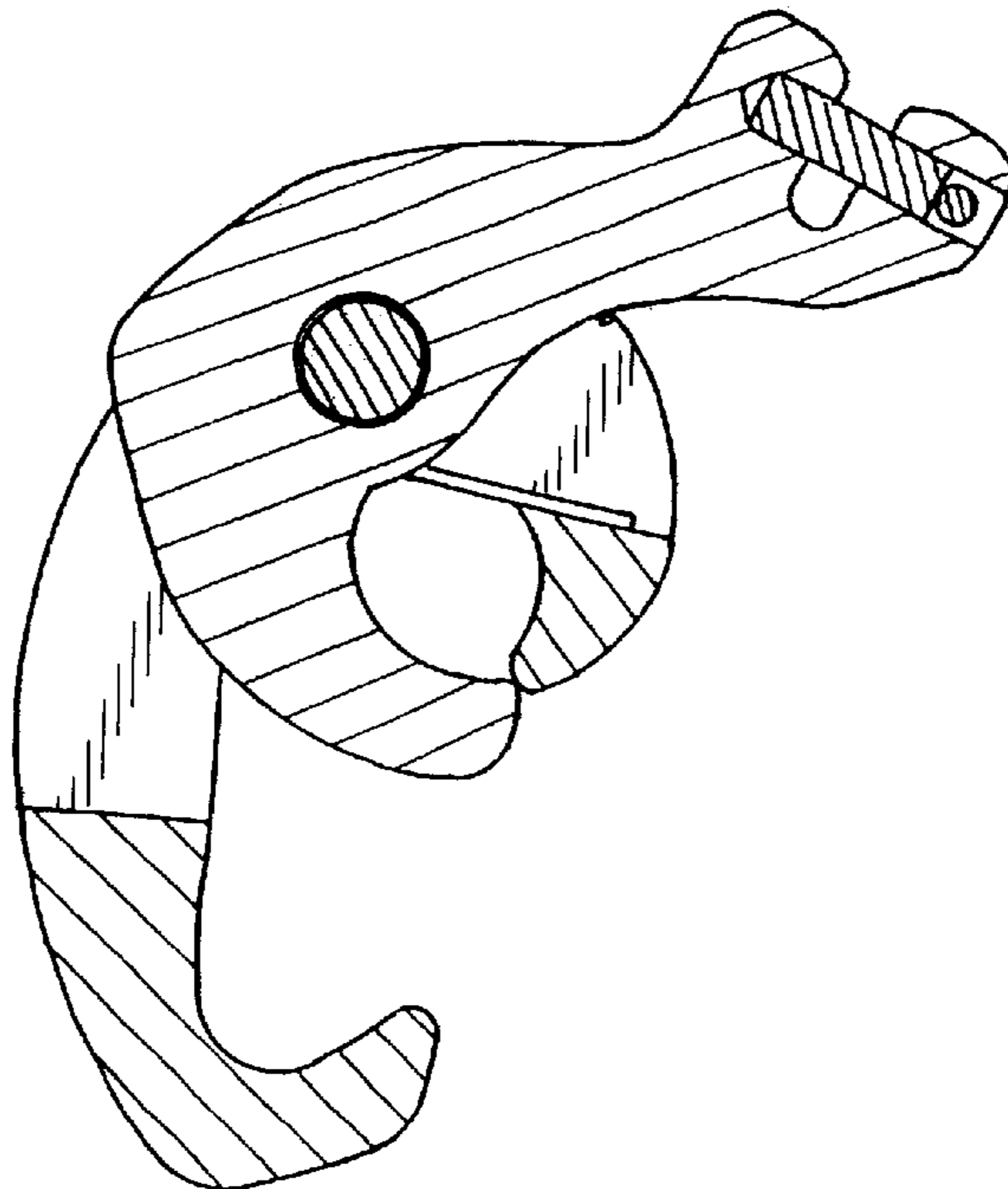
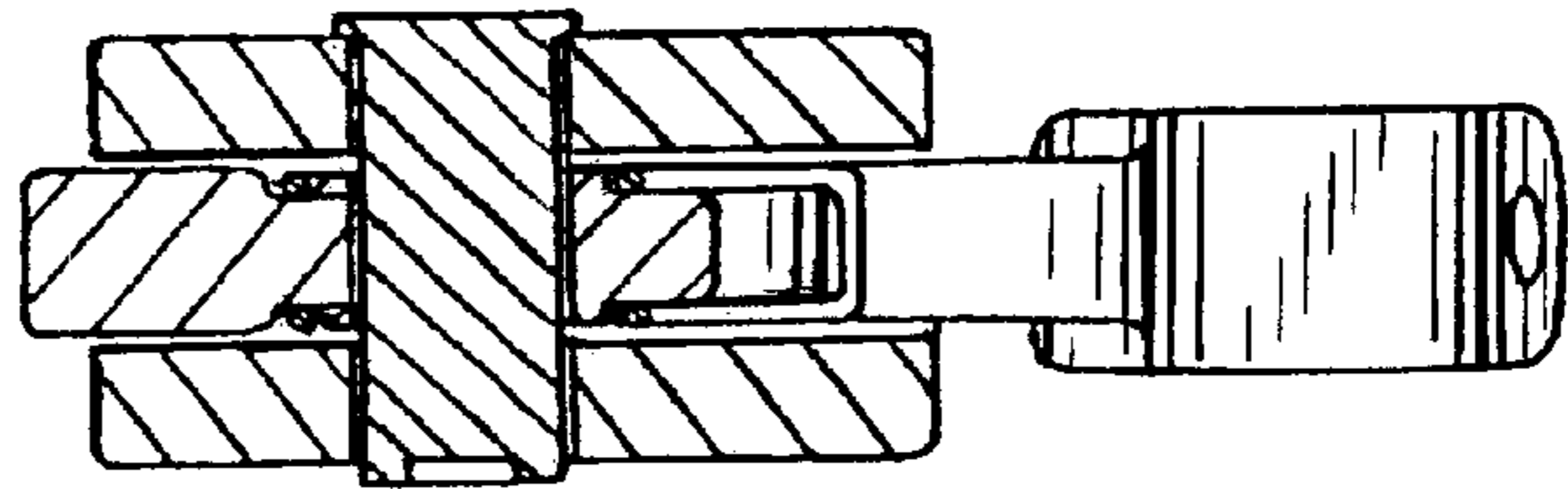


FIG.10



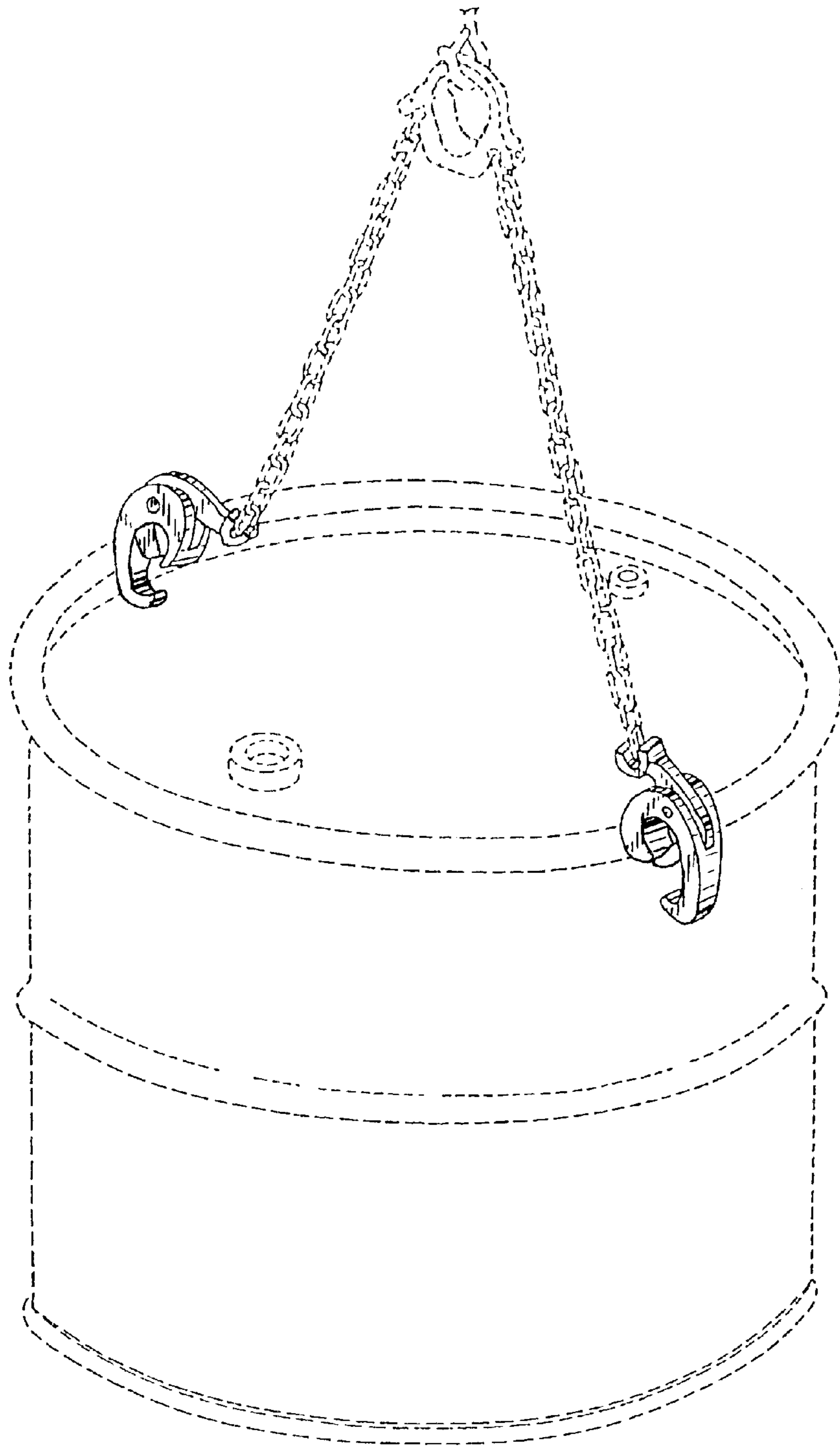


FIG.11