



US00D459854S

(12) **United States Design Patent**  
**Fujikawa et al.**

(10) **Patent No.:** **US D459,854 S**

(45) **Date of Patent:** **\*\* Jul. 2, 2002**

(54) **LIFTING APPARATUS**

(75) Inventors: **Masaru Fujikawa; Koji Saai**, both of  
Osaka (JP)

(73) Assignee: **Elephant Chain Block Co., Ltd.** (JP)

(\*\*) Term: **14 Years**

(21) Appl. No.: **29/127,847**

(22) Filed: **Aug. 15, 2000**

(30) **Foreign Application Priority Data**

Apr. 10, 2000 (JP) ..... 2000-009230

(51) **LOC (7) Cl.** ..... **12-05**

(52) **U.S. Cl.** ..... **D34/35; D8/367**

(58) **Field of Search** ..... D34/28, 39, 10,  
D34/35; D8/382, 383, 367; 220/320; 24/115 R,  
130, 115 H; 294/82.1, 82.11, 82.2, 82.22

(56) **References Cited**

**U.S. PATENT DOCUMENTS**

1,541,991 A *	6/1925	Moody et al.	294/82.1
1,554,303 A *	9/1925	Smith	294/82.11
1,557,802 A *	10/1925	Clark	294/82.1
1,626,866 A *	5/1927	Neilson	294/82.2
2,538,356 A *	1/1951	Donda	294/82.11
2,759,234 A *	8/1956	Brawand	294/82.2
3,114,955 A *	12/1963	Ahlquist	294/82.11
3,782,772 A *	1/1974	Cranston, III et al.	294/82.1
3,962,755 A *	6/1976	Buschini et al.	294/82.1
4,061,388 A *	12/1977	Wilkinson	294/82.1
4,094,141 A *	6/1978	Rehbein	24/115 R
4,249,474 A *	2/1981	Archer	294/82.2

5,002,420 A *	3/1991	Loyd	294/82.11
5,660,423 A *	8/1997	Herman et al.	294/82.11
D389,983 S *	1/1998	Maness	D34/35
D431,180 S *	9/2000	Gray, Jr.	D8/367
D434,971 S *	12/2000	Cheng	D8/367
6,219,888 B1 *	4/2001	Lynch	24/115 R
6,283,523 B1 *	9/2001	Simond	294/82.2

\* cited by examiner

*Primary Examiner*—Cynthia E. Ramirez

(74) *Attorney, Agent, or Firm*—George T. Marcou;  
Kilpatrick Stockton LLP

(57) **CLAIM**

The ornamental design for a lifting apparatus, as shown and described.

**DESCRIPTION**

FIG. 1 is a perspective view of a lifting apparatus showing our new design;

FIG. 2 is a front view thereof;

FIG. 3 is a right side view thereof;

FIG. 4 is a top plan view thereof;

FIG. 5 is a bottom plan view thereof; and

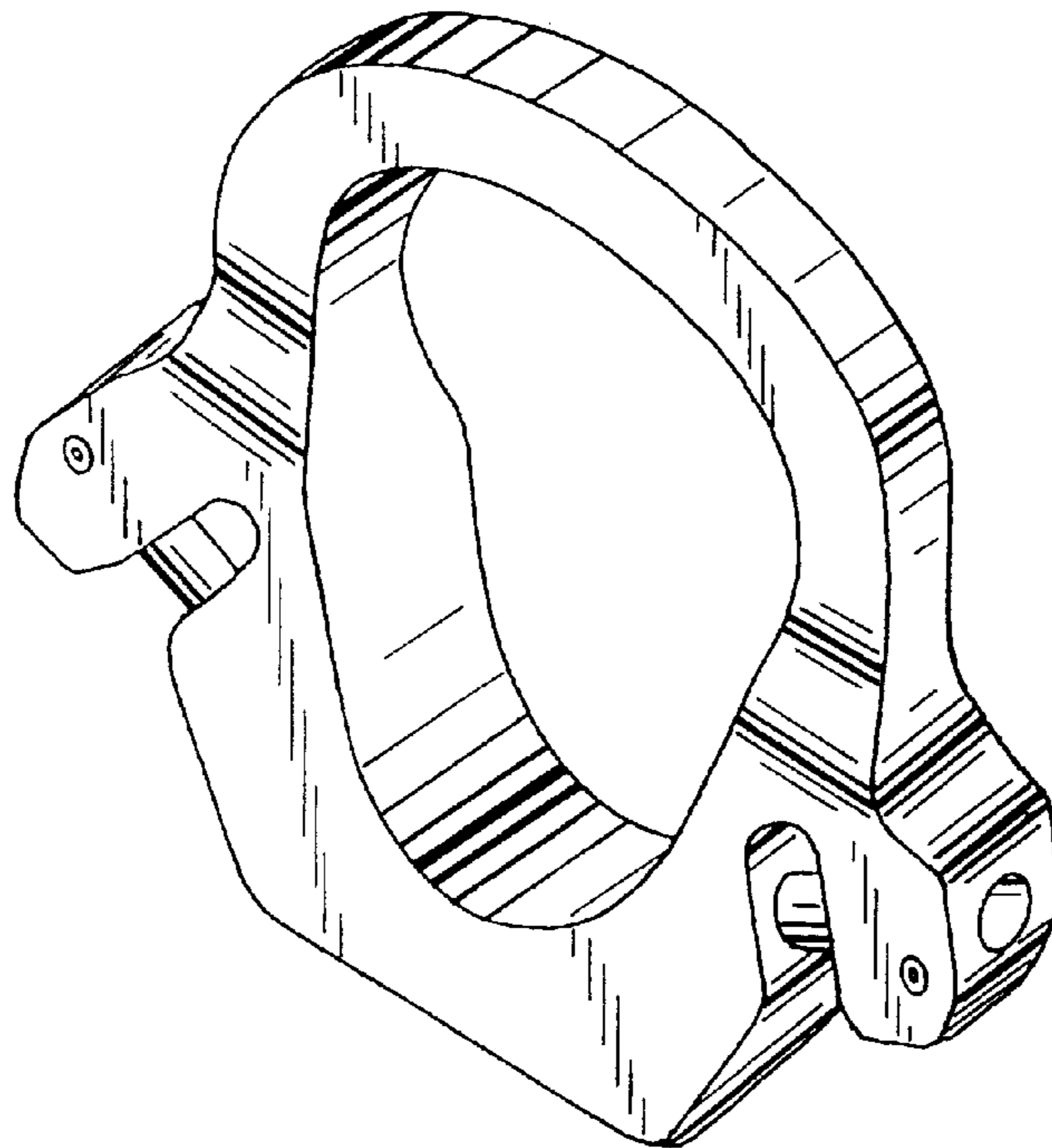
FIG. 6 is a cross sectional view taken along with line 6—6 in FIG. 4 thereof; and,

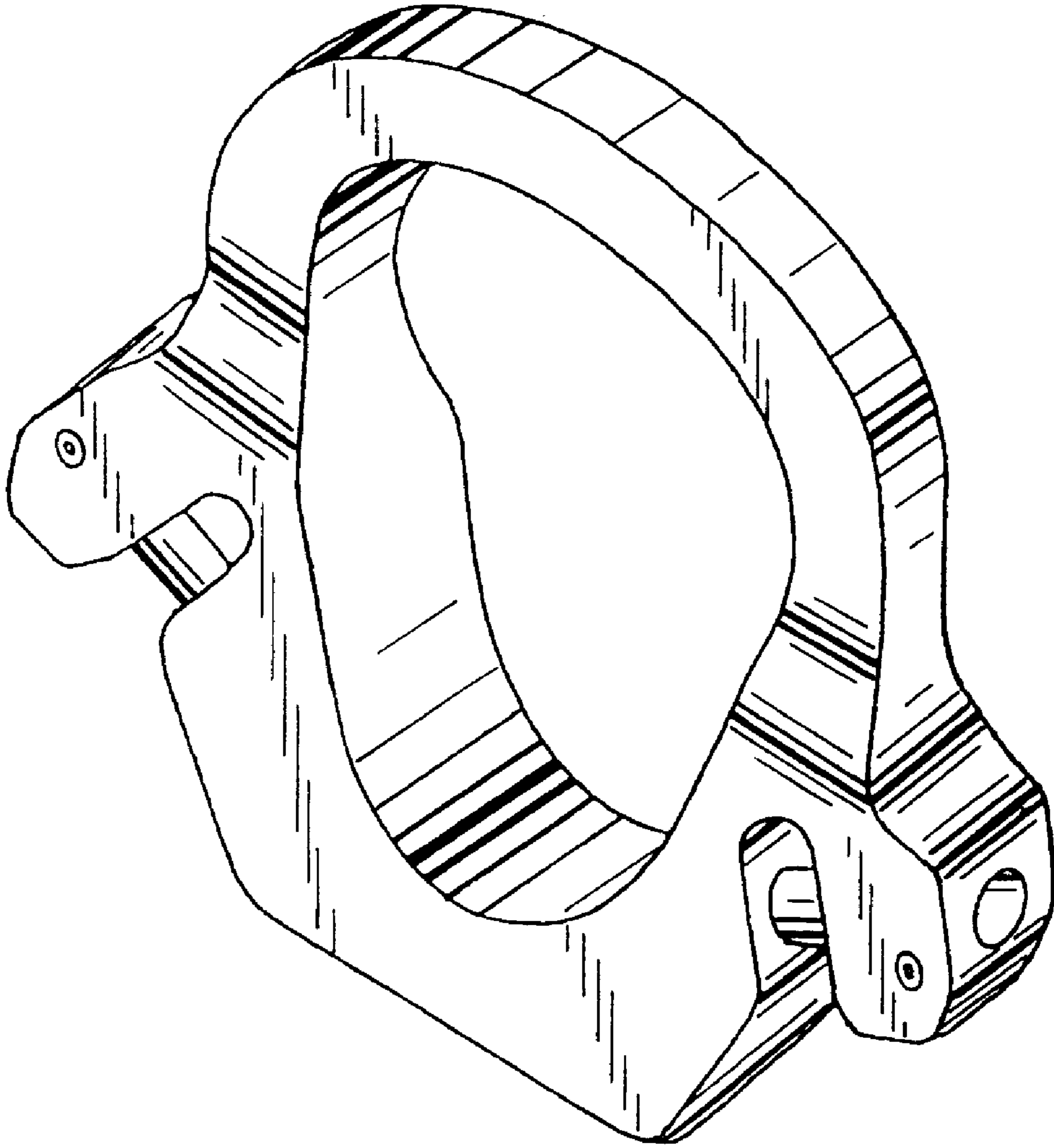
FIG. 7 is an illustrative view thereof.

A rear view of the lifting apparatus is symmetrical to the FIG. 2. A left side view of the lifting apparatus is symmetrical to the FIG. 3.

The broken line showing of a drum and chain in FIG. 7 is for illustrative purposes only and forms no part of the claimed design.

**1 Claim, 4 Drawing Sheets**





**FIG. 1**

FIG.2

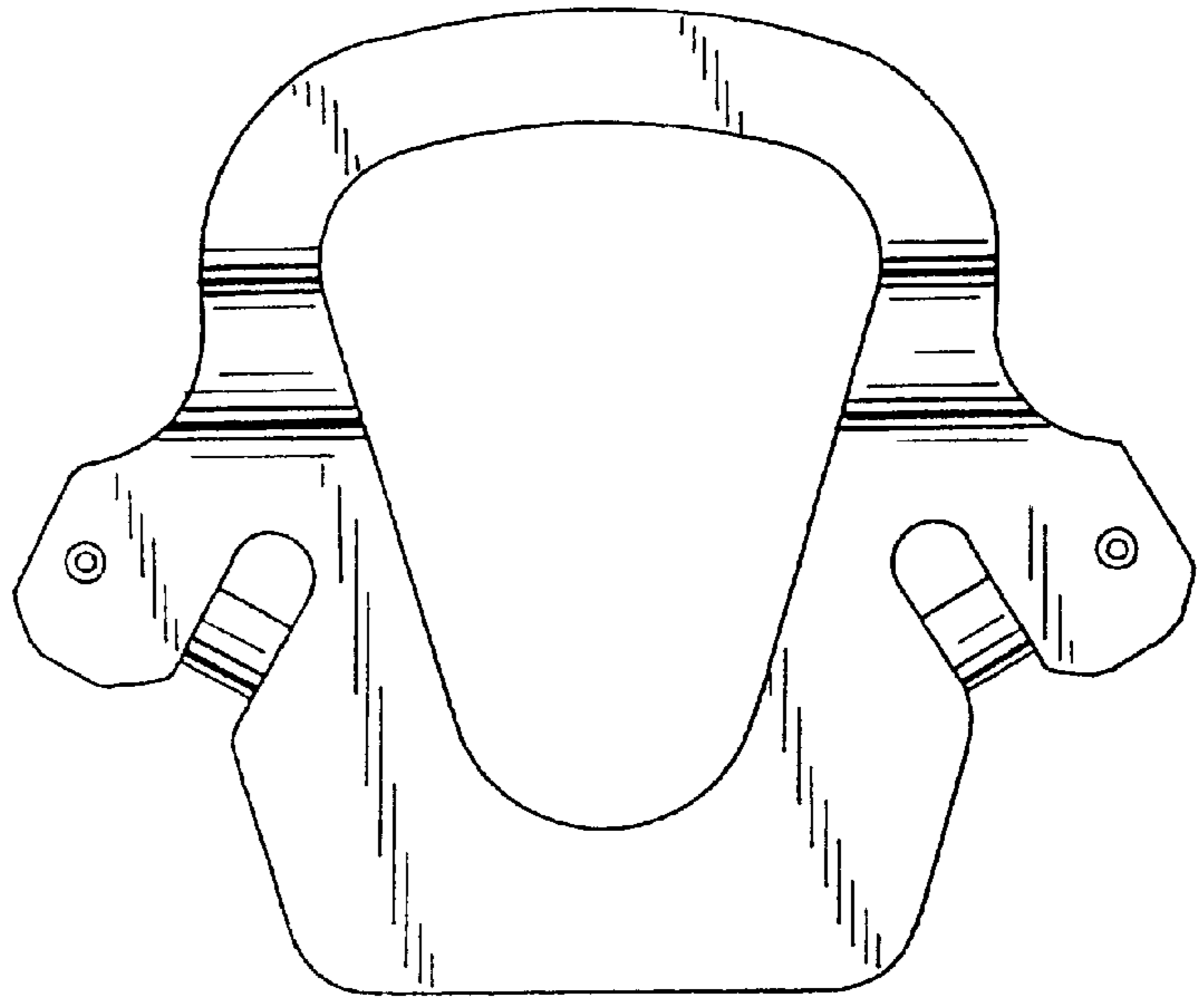


FIG.3

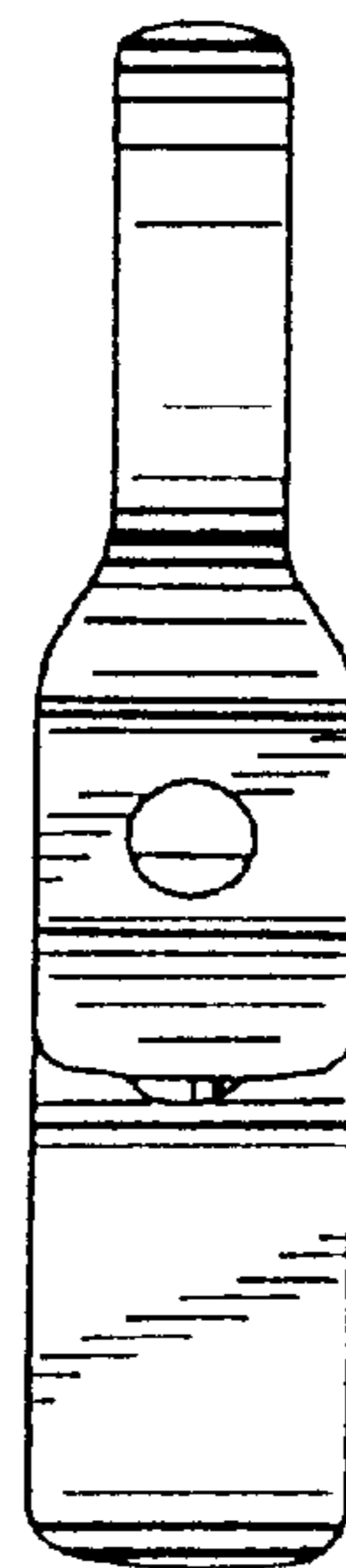


FIG.4

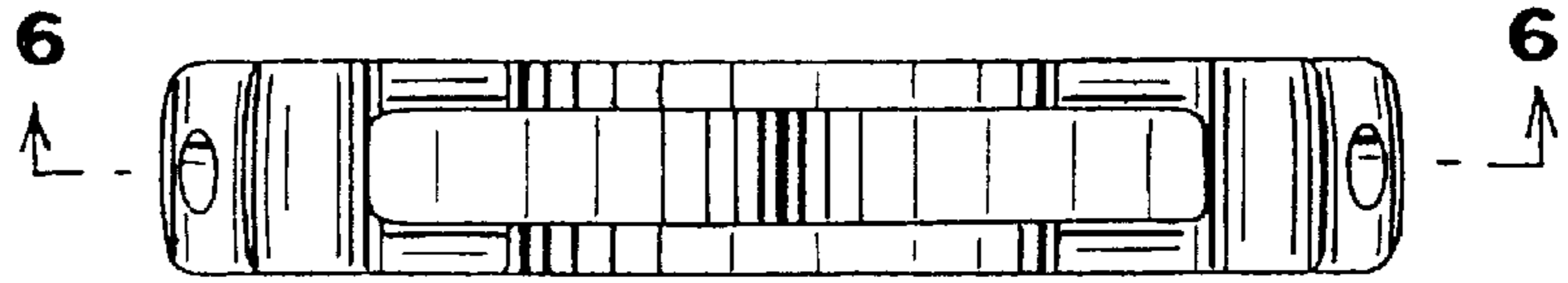
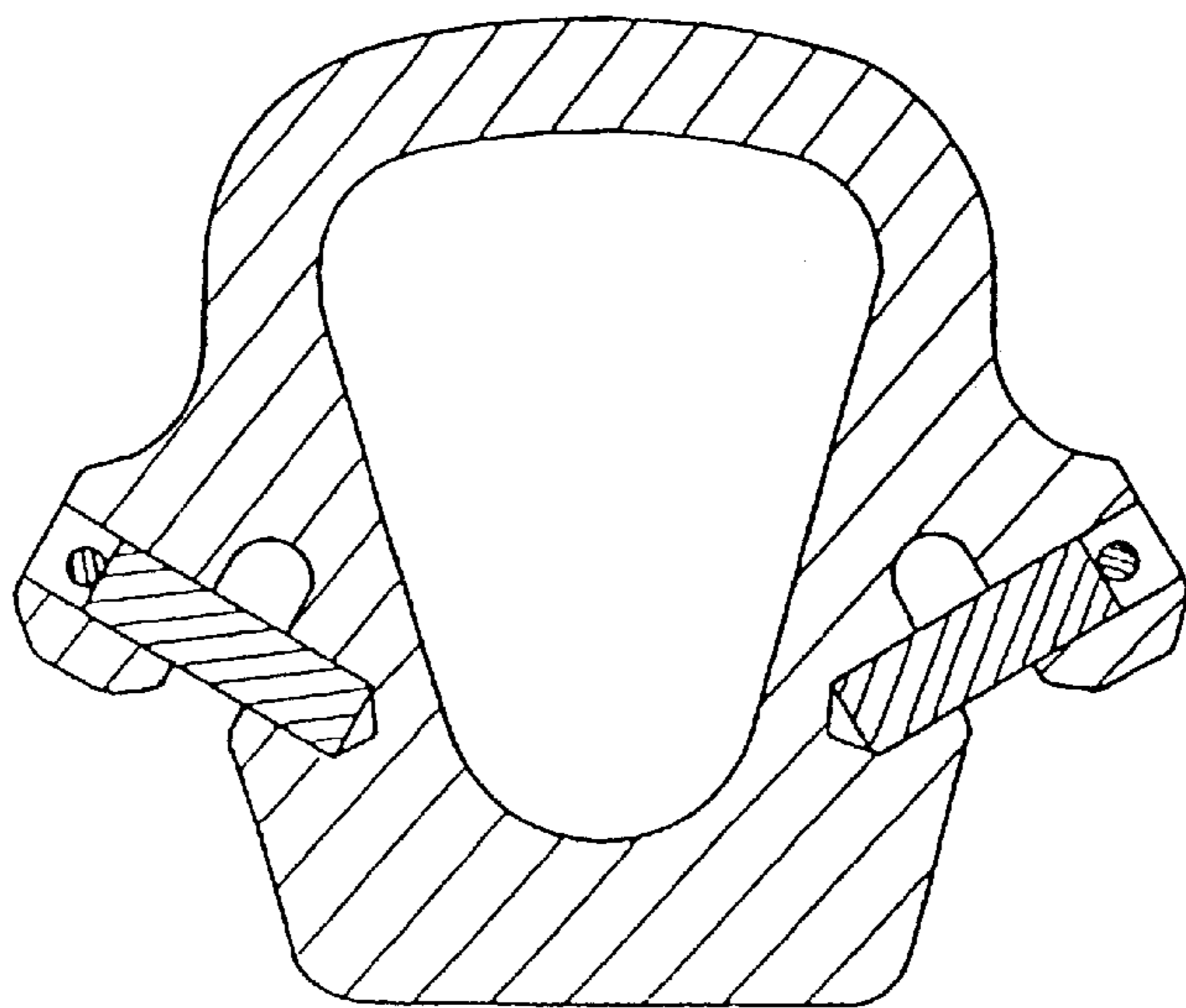


FIG.5



FIG.6



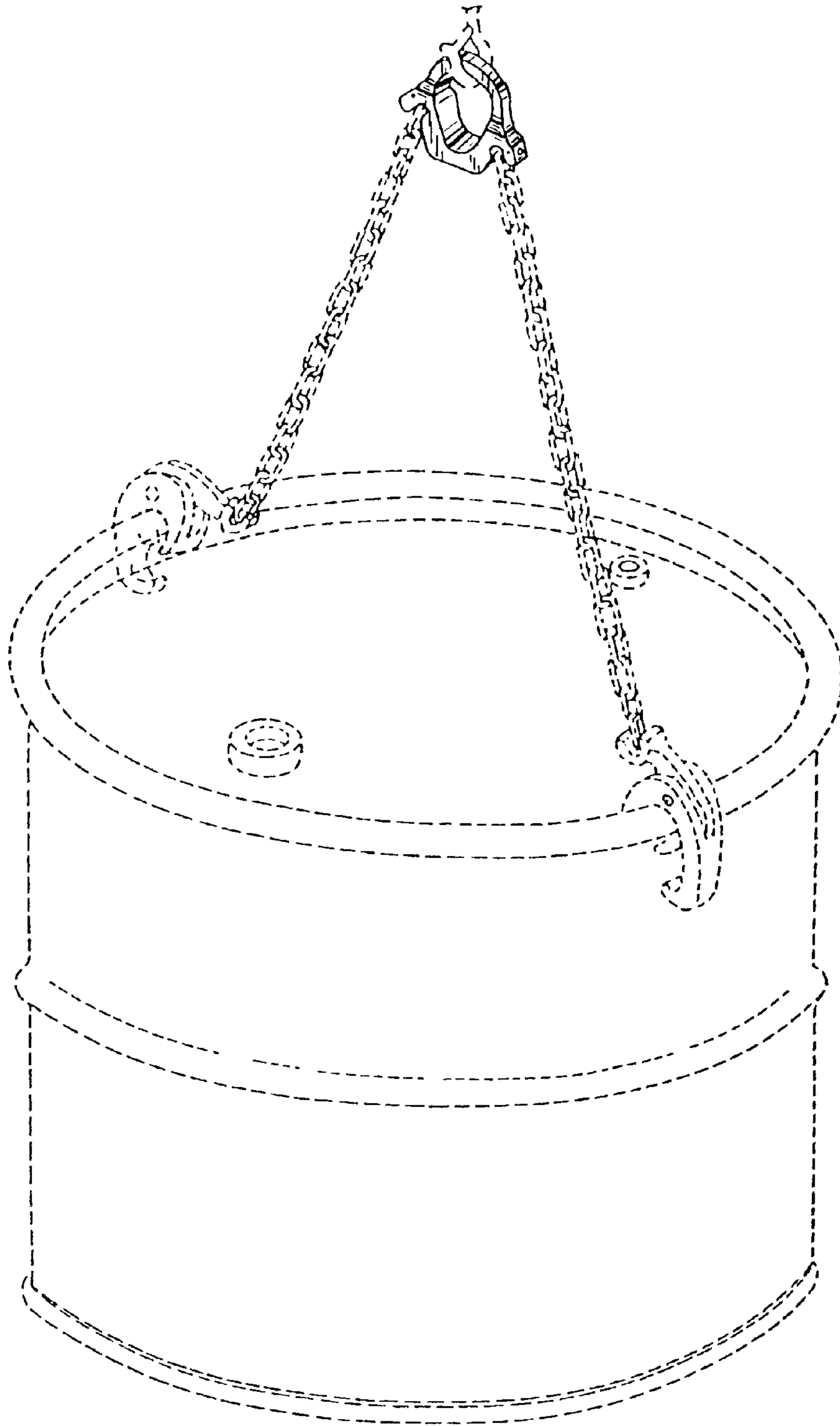


FIG.7