



US00D459851S

(12) **United States Design Patent**
Rehkugler et al.

(10) **Patent No.:** **US D459,851 S**

(45) **Date of Patent:** **** Jul. 2, 2002**

(54) **MOBILE HANDLE ASSEMBLY**

(75) Inventors: **Rolf Rehkugler**, Stuttgart (DE); **Paulo Kolicheski**, Rancho Cucamonga, CA (US)

(73) Assignee: **Alfred Kaercher GmbH & Co.**, Winnenden (DE)

(**) Term: **14 Years**

(21) Appl. No.: **29/127,901**

(22) Filed: **Aug. 14, 2000**

(51) **LOC (7) Cl.** **12-02**

(52) **U.S. Cl.** **D34/24**

(58) **Field of Search** D32/15, 16, 19, D32/20, 25; D34/12-28; 15/340.2, 246.4, 323, 327.2, 327.5, 412; 248/647, 639, 646; 211/85.8; 280/47.17, 47.24, 47.26, 47.34, 47.35, 47.131, 79.11, 79.2, 79.3, 79.4, 79.5, 79.6, 79.7

(56) **References Cited**

U.S. PATENT DOCUMENTS

D152,576 S * 2/1949 Wallace D12/129

D273,431 S * 4/1984 Linton D32/15
5,013,055 A * 5/1991 Labrum 280/47.19
5,180,179 A * 1/1993 Salvucci 280/47.315
D444,279 S * 6/2001 Kristiansen et al. D34/12

* cited by examiner

Primary Examiner—Ted Shooman

Assistant Examiner—C Tuttle

(74) *Attorney, Agent, or Firm*—Barry R. Lipsitz

(57) **CLAIM**

The ornamental design for a mobile handle assembly, as shown and described.

DESCRIPTION

FIG. 1 is a front, top and left side perspective view showing our new design;

FIG. 2 is a front elevational view of the design;

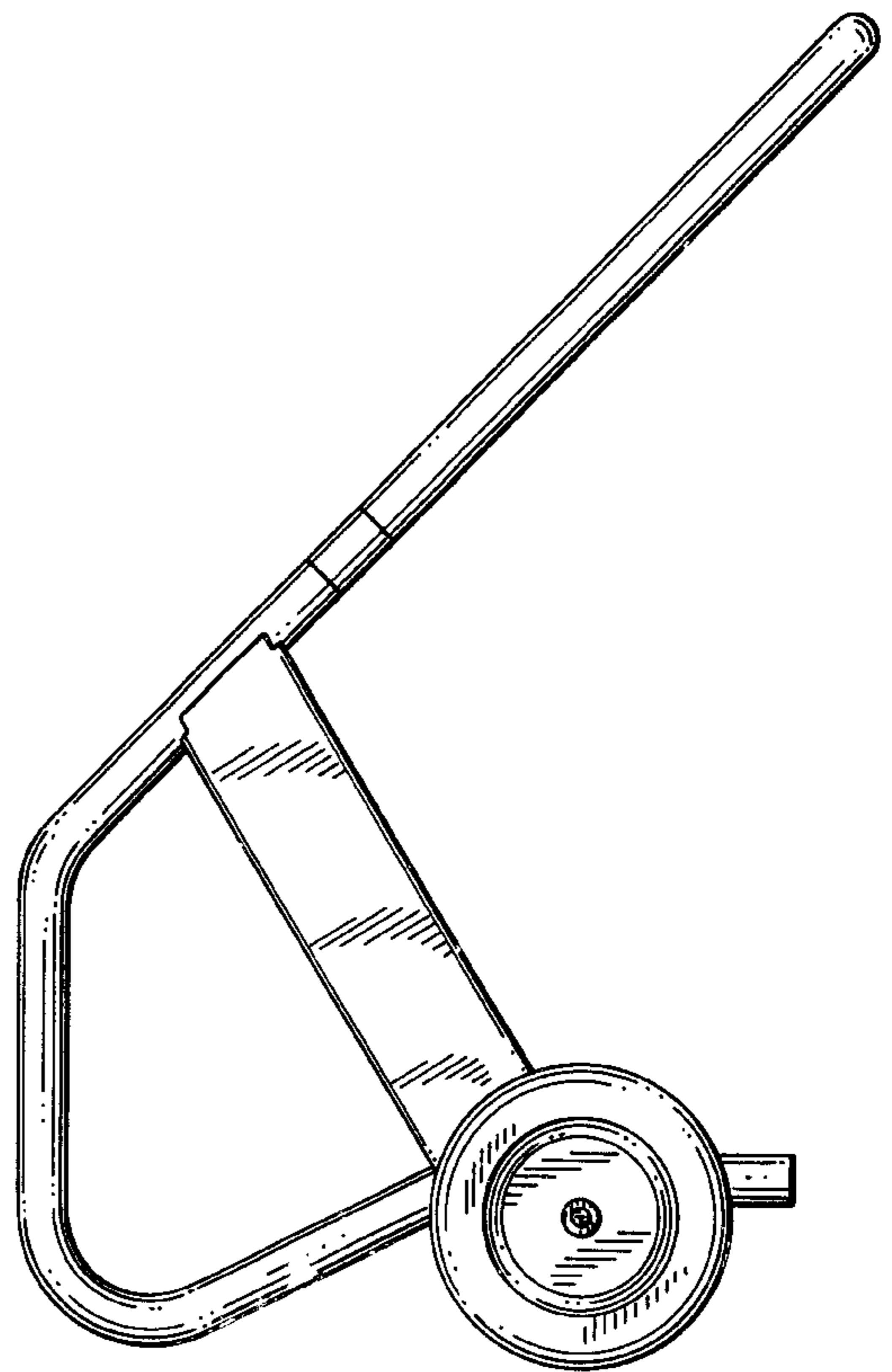
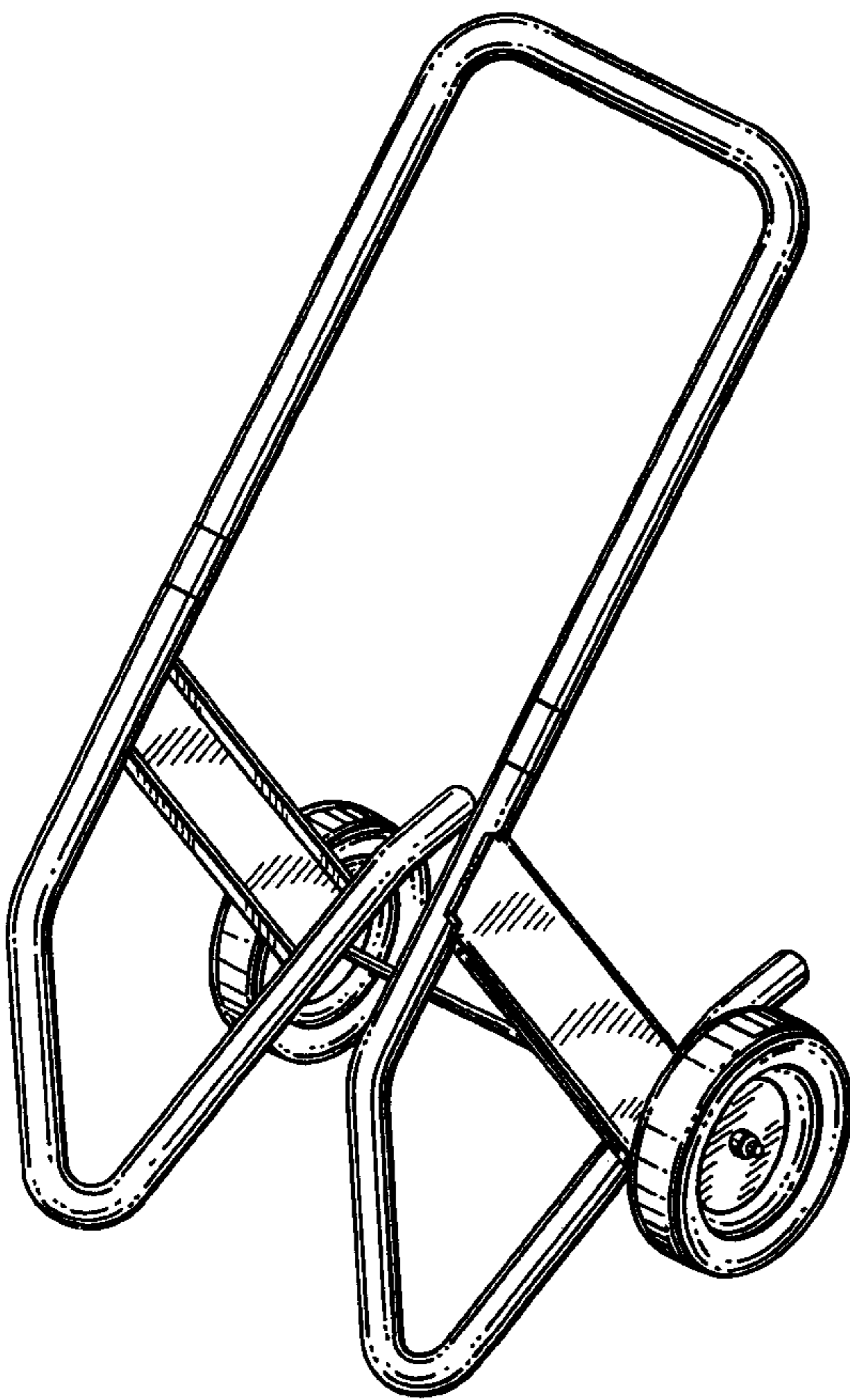
FIG. 3 is a top plan view of the design;

FIG. 4 is a right side elevational view of the design;

FIG. 5 is a left side elevational view of the design; and,

FIG. 6 is a rear elevational view of the design.

1 Claim, 6 Drawing Sheets



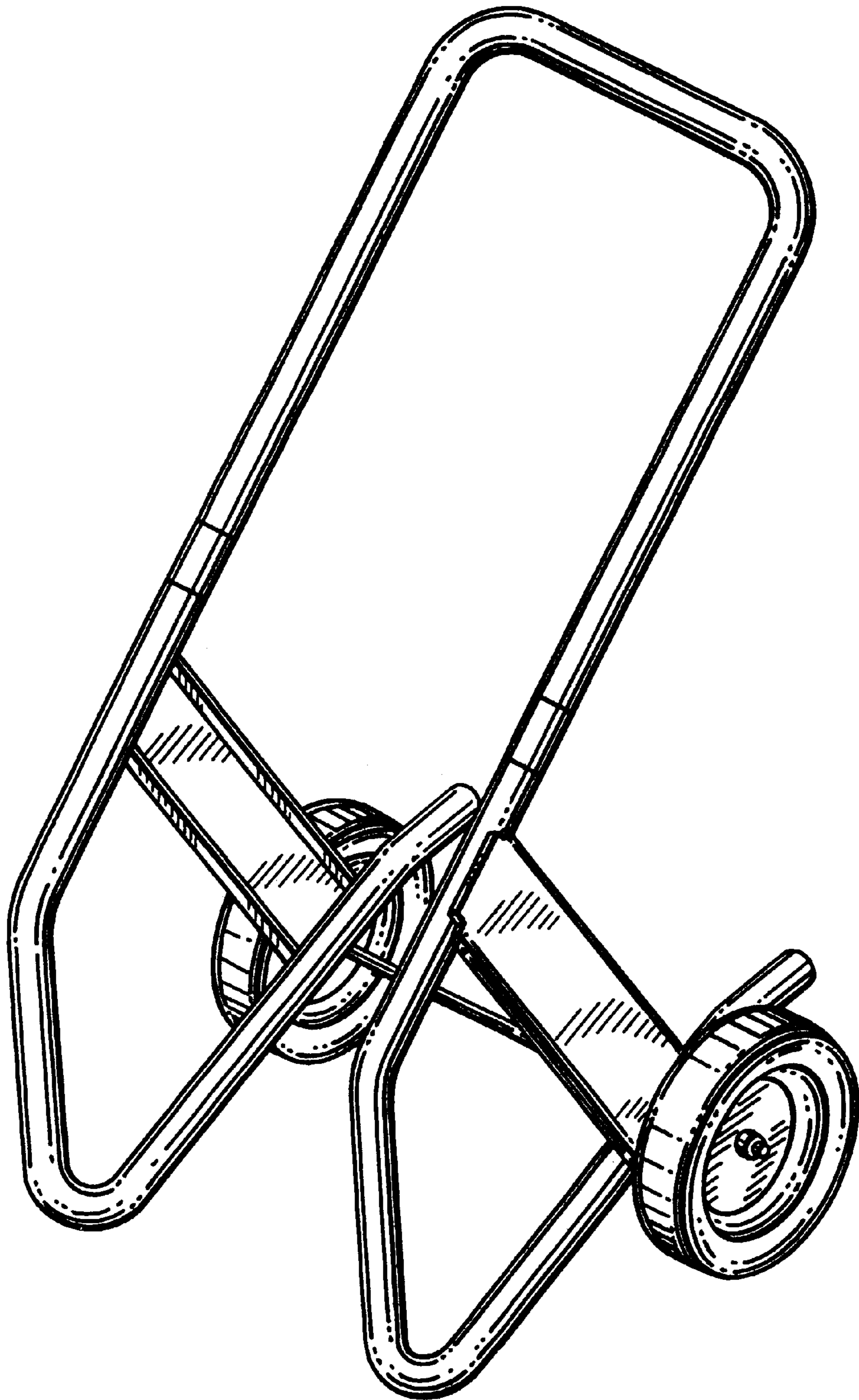


FIG. 1

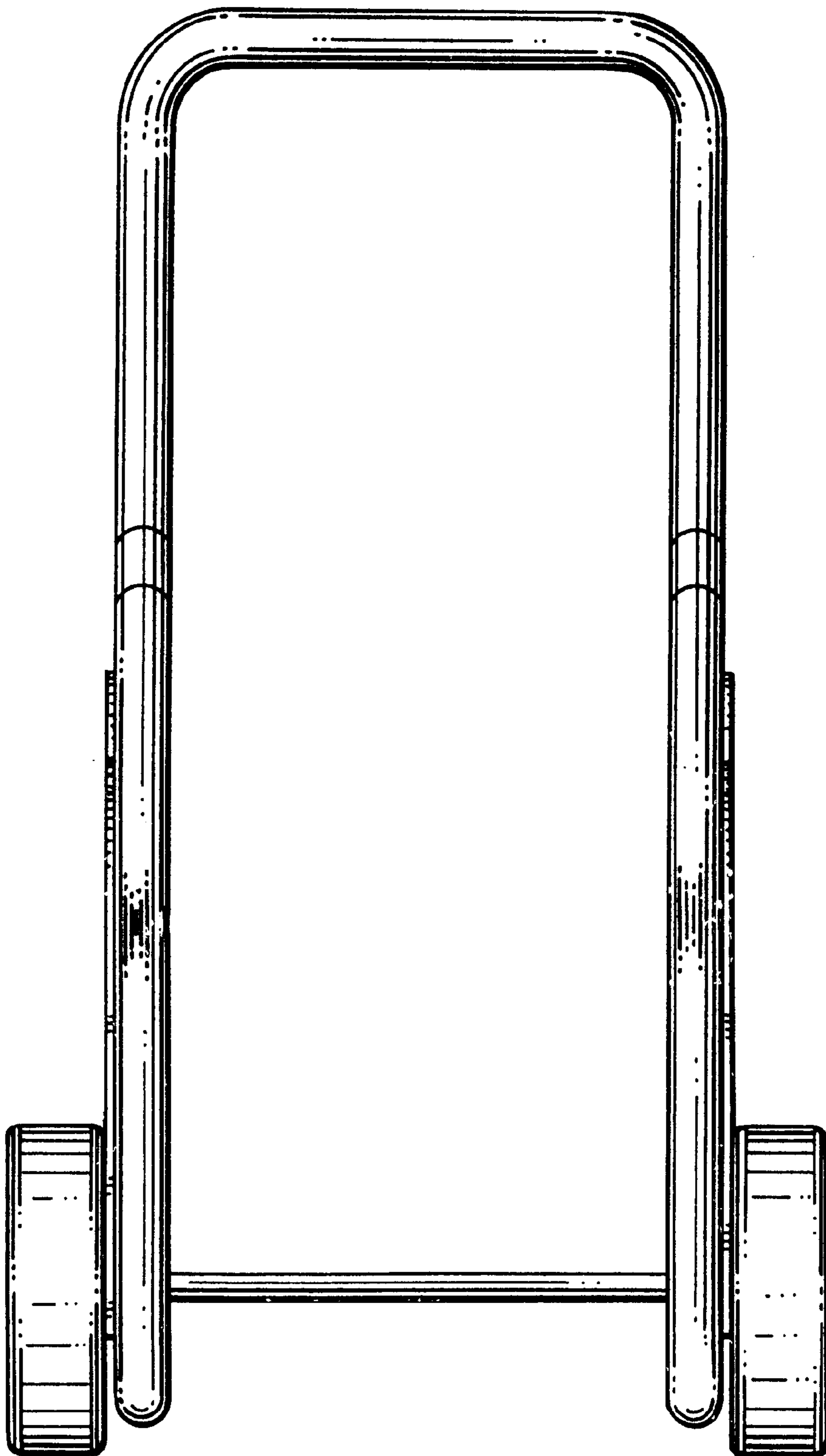


FIG. 2

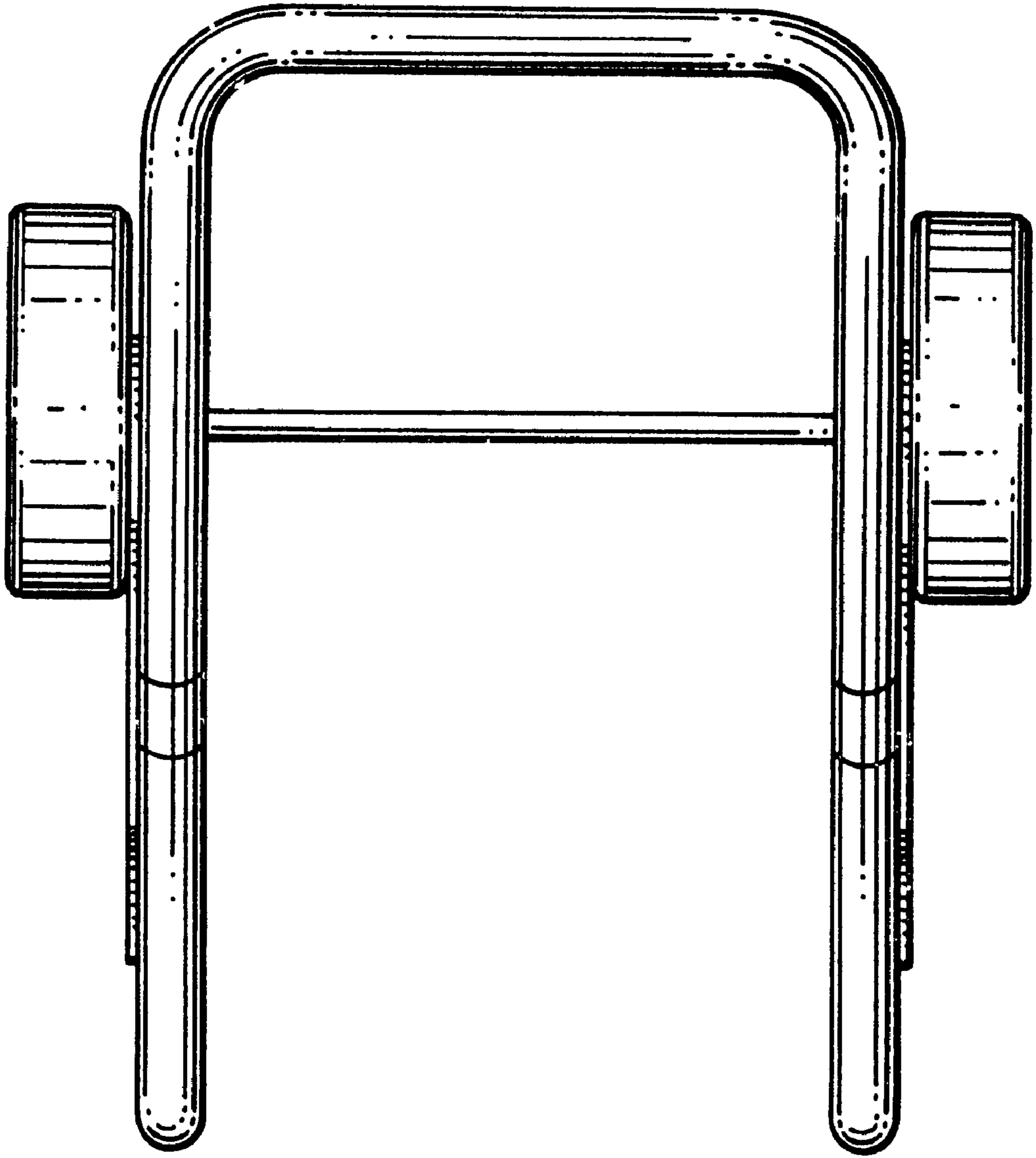


FIG. 3

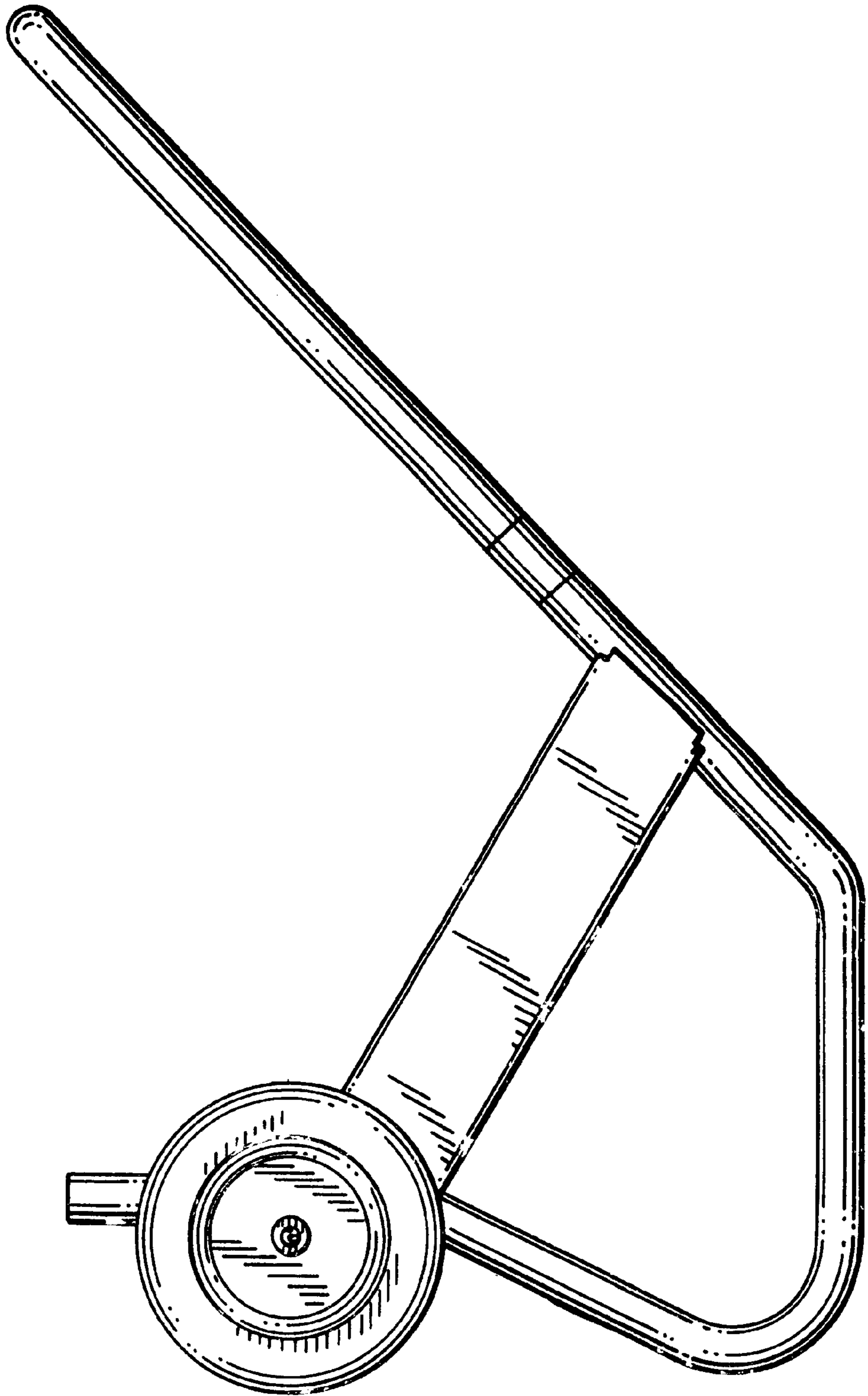


FIG. 4

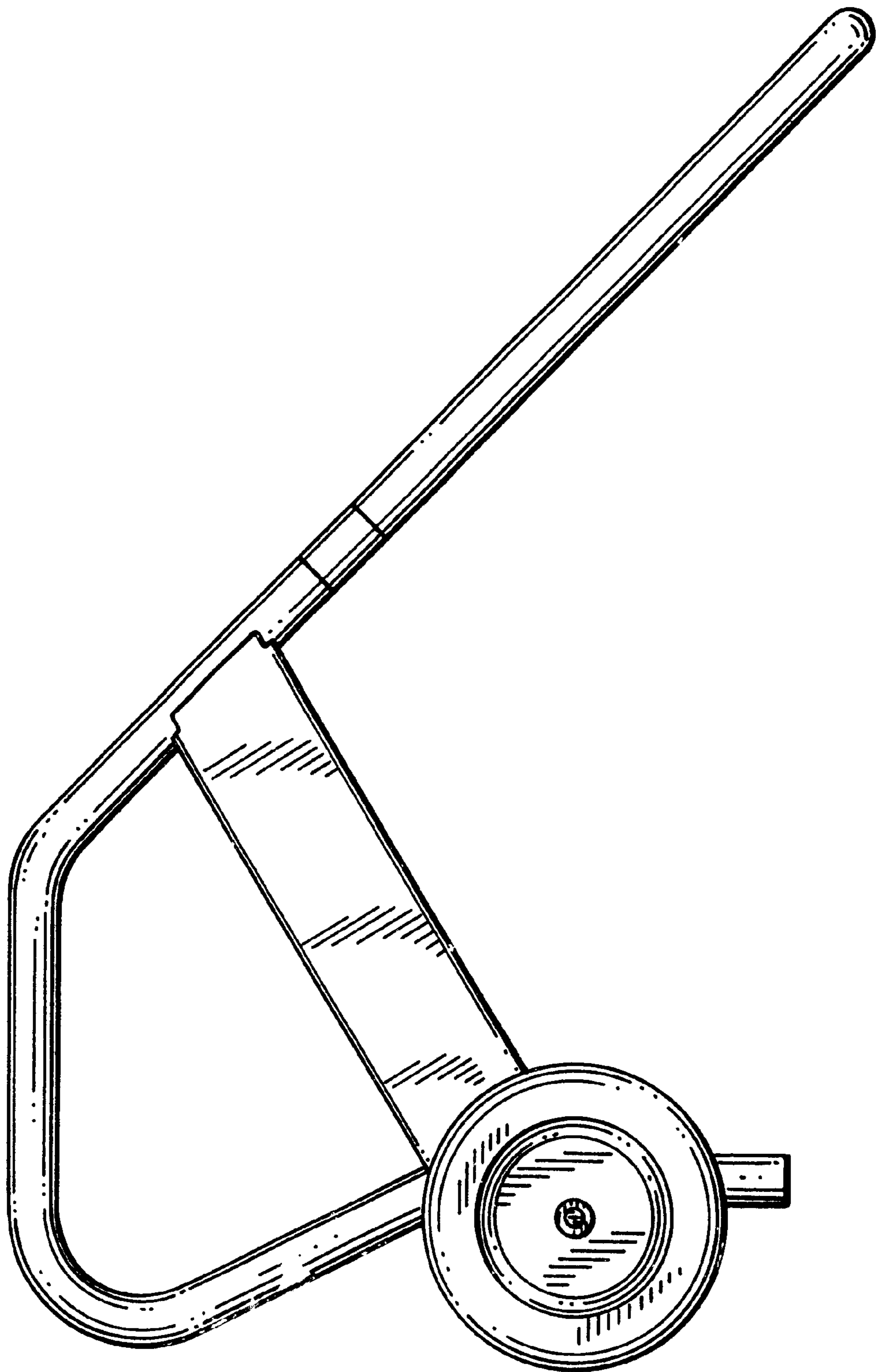


FIG. 5

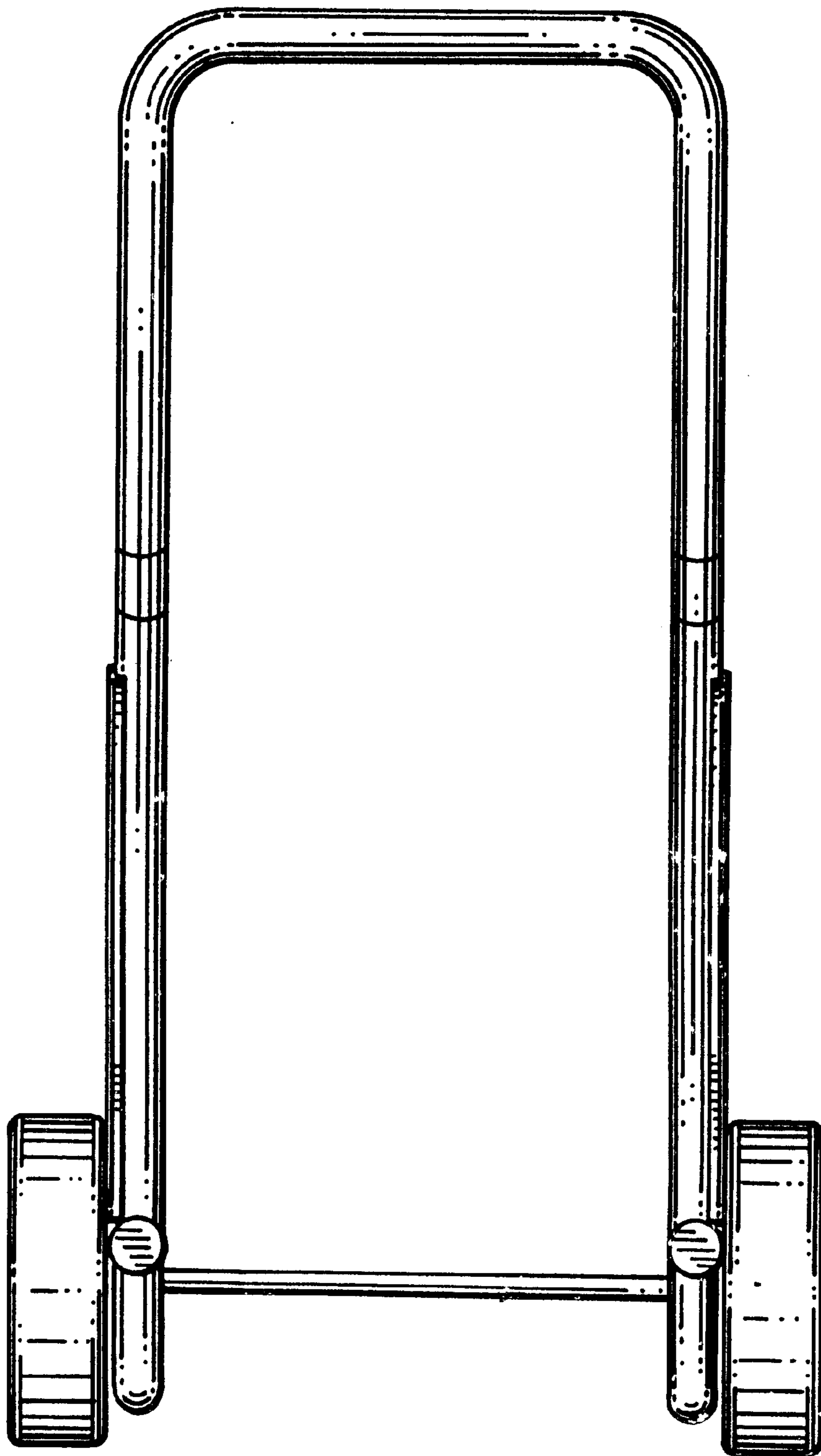


FIG. 6