



US00D459850S

(12) **United States Design Patent**
Seng

(10) **Patent No.:** **US D459,850 S**

(45) **Date of Patent:** **** Jul. 2, 2002**

(54) **PULL, STAND AND CARRY GOLF BAG**

6,056,301 A * 5/2000 Berliner et al. 280/43.1
6,139,047 A * 10/2000 Kim 280/646

(75) Inventor: **Lim Yew Seng**, Klang (MY)

* cited by examiner

(73) Assignee: **Metro Golf Manufacturing Sdn. Bhd.**,
Selangor Darul Ehsan (MY)

Primary Examiner—Kay H. Chin

(**) Term: **14 Years**

(74) *Attorney, Agent, or Firm*—Christensen O'Connor
Johnson Kindness PLLC

(21) Appl. No.: **29/143,366**

(57) **CLAIM**

(22) Filed: **Jun. 11, 2001**

The ornamental design for a pull, stand and carry golf bag,
as shown and described.

(51) **LOC (7) Cl.** **12-02**

DESCRIPTION

(52) **U.S. Cl.** **D34/15**

(58) **Field of Search** D34/12-27; 280/DIG. 6,
280/47.131, 47.18, 47.24, 47.26, 35, 652,
655.1, 47.315, 47.33

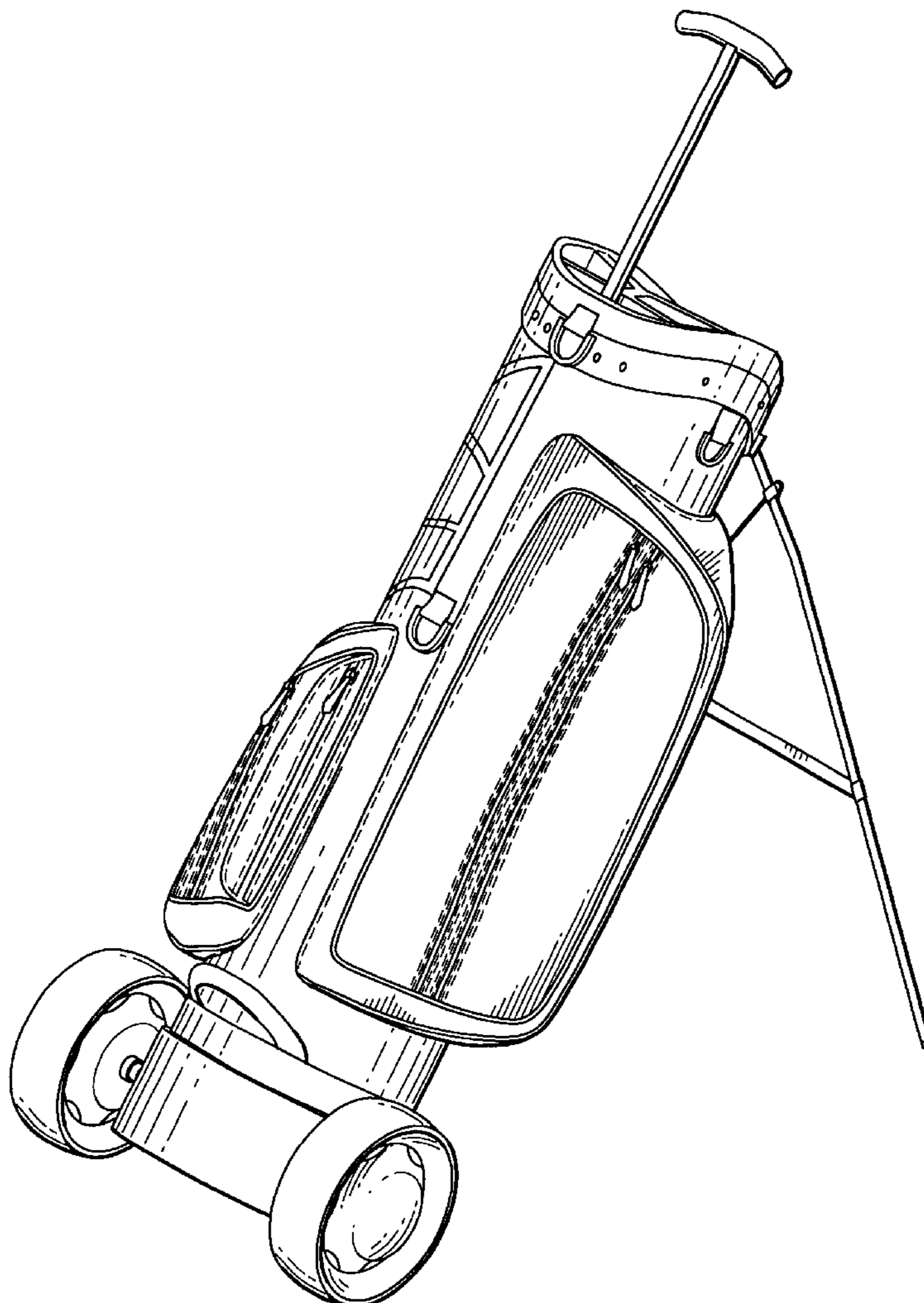
FIG. 1 is a perspective view of the pull, stand and carry golf bag showing my new design;
FIG. 2 is a right side view thereof;
FIG. 3 is a left side view thereof;
FIG. 4 is a front view thereof;
FIG. 5 is a rear view thereof;
FIG. 6 is a top plan view thereof; and,
FIG. 7 is a bottom view thereof.

(56) **References Cited**

U.S. PATENT DOCUMENTS

4,792,152 A * 12/1988 Carolan 280/47.26
5,029,883 A * 7/1991 Derito 280/35

1 Claim, 7 Drawing Sheets



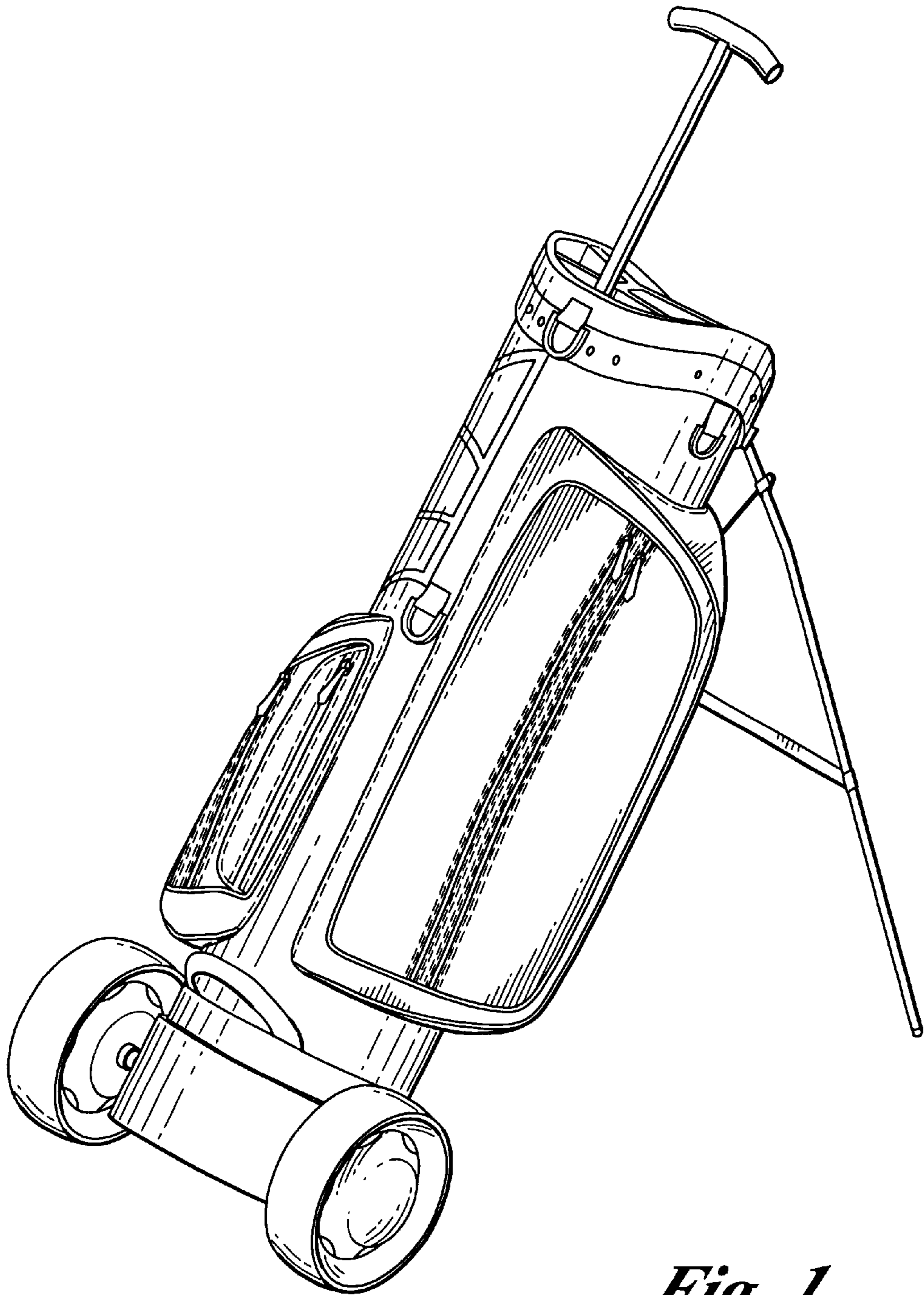


Fig. 1

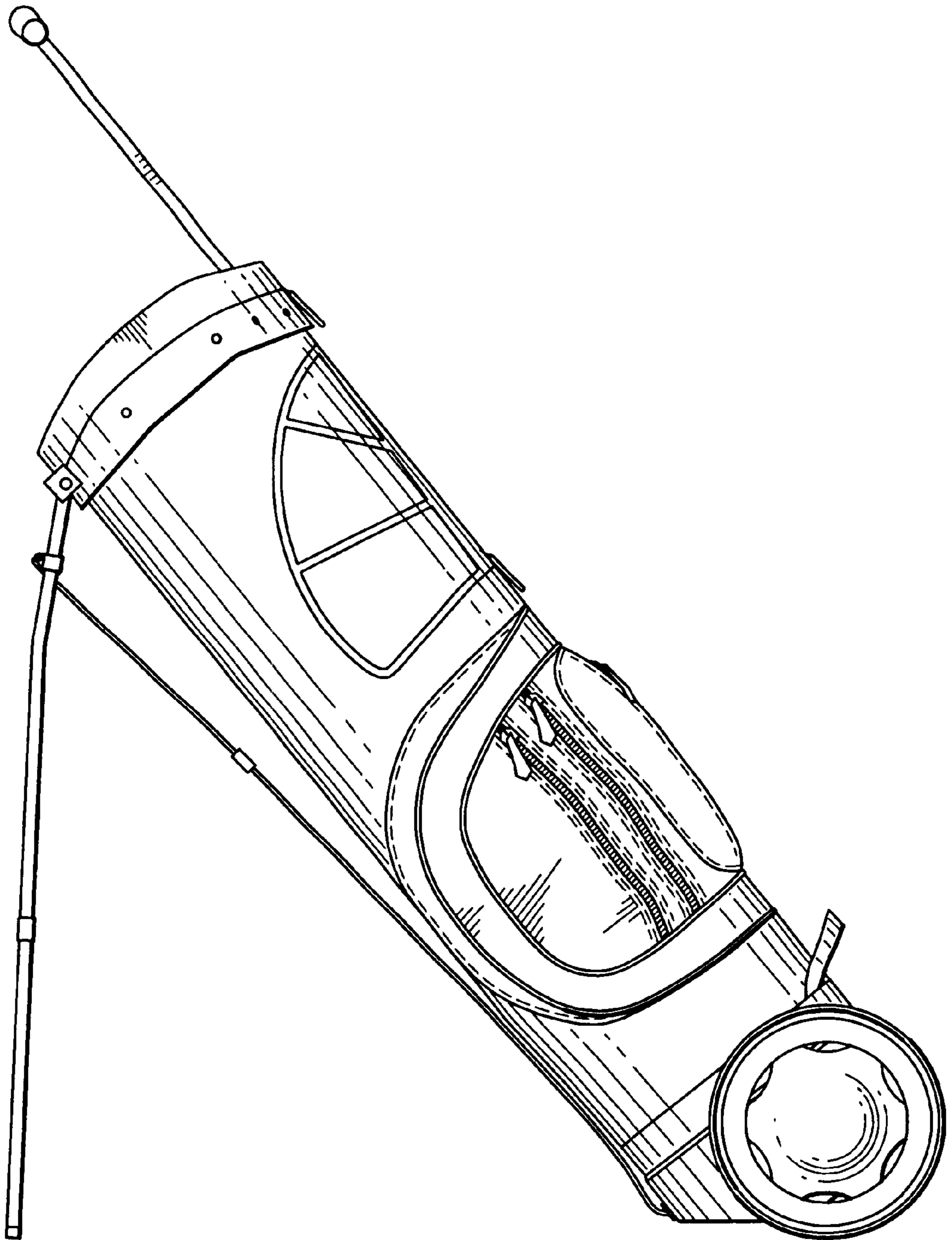


Fig. 2

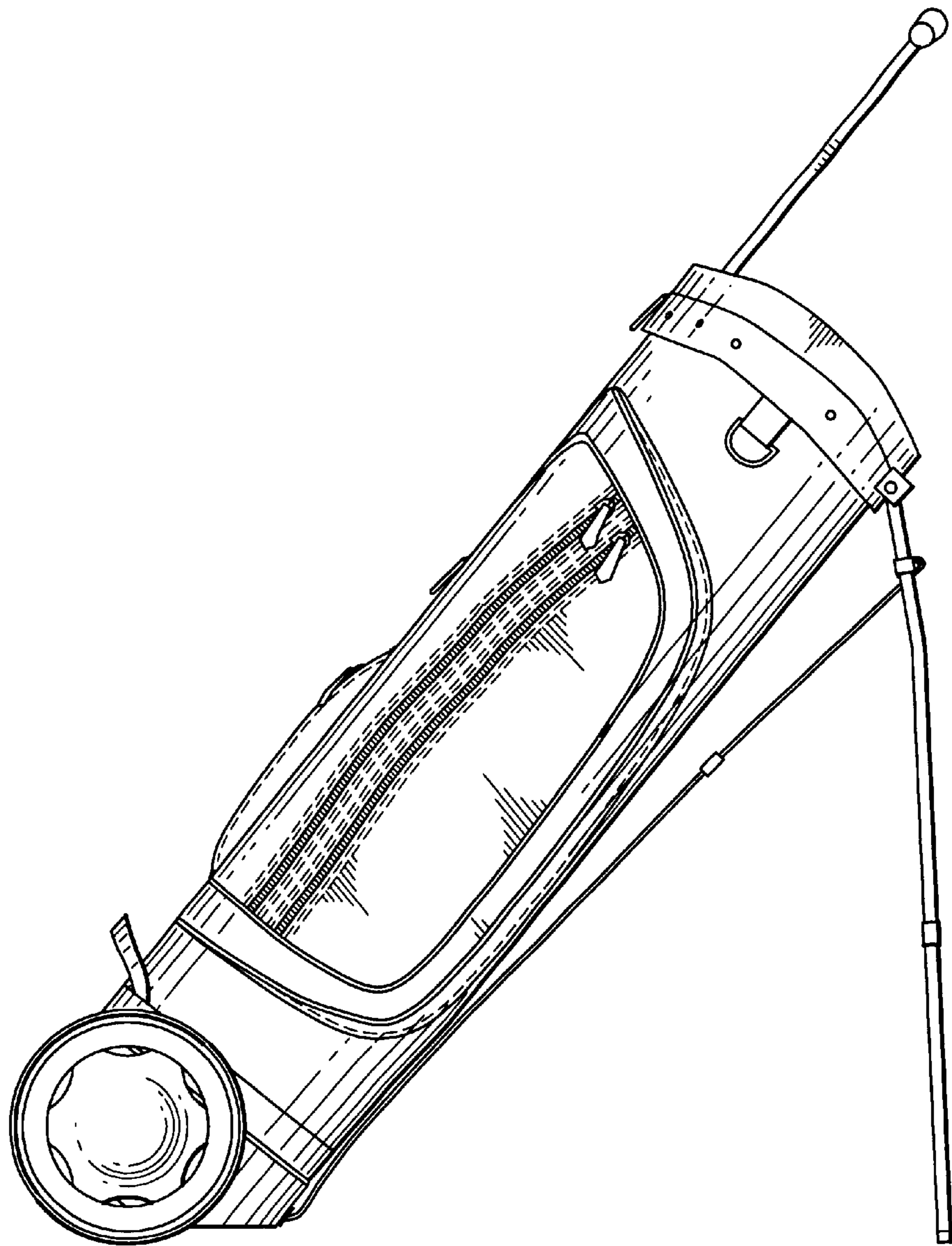


Fig. 3

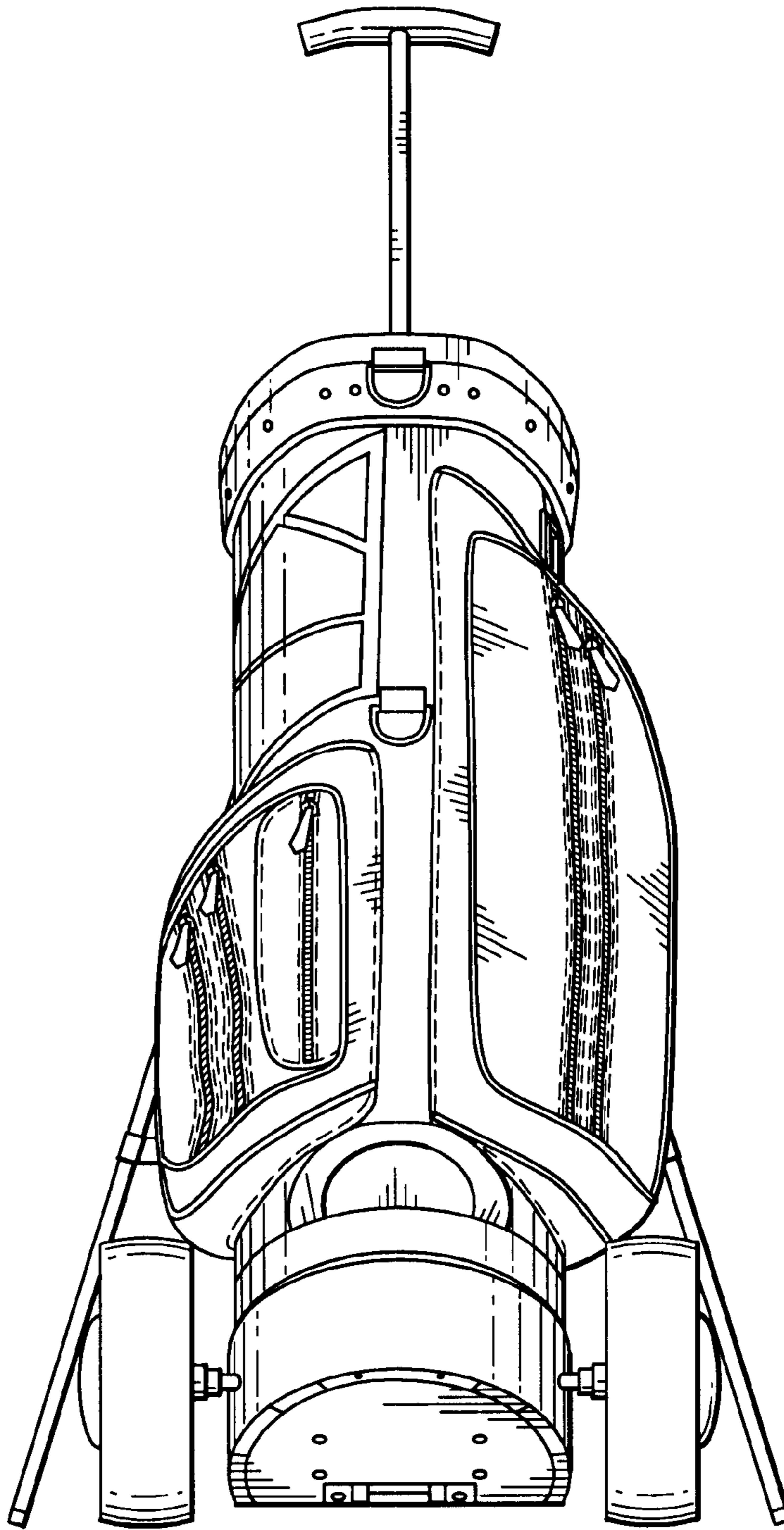


Fig. 4

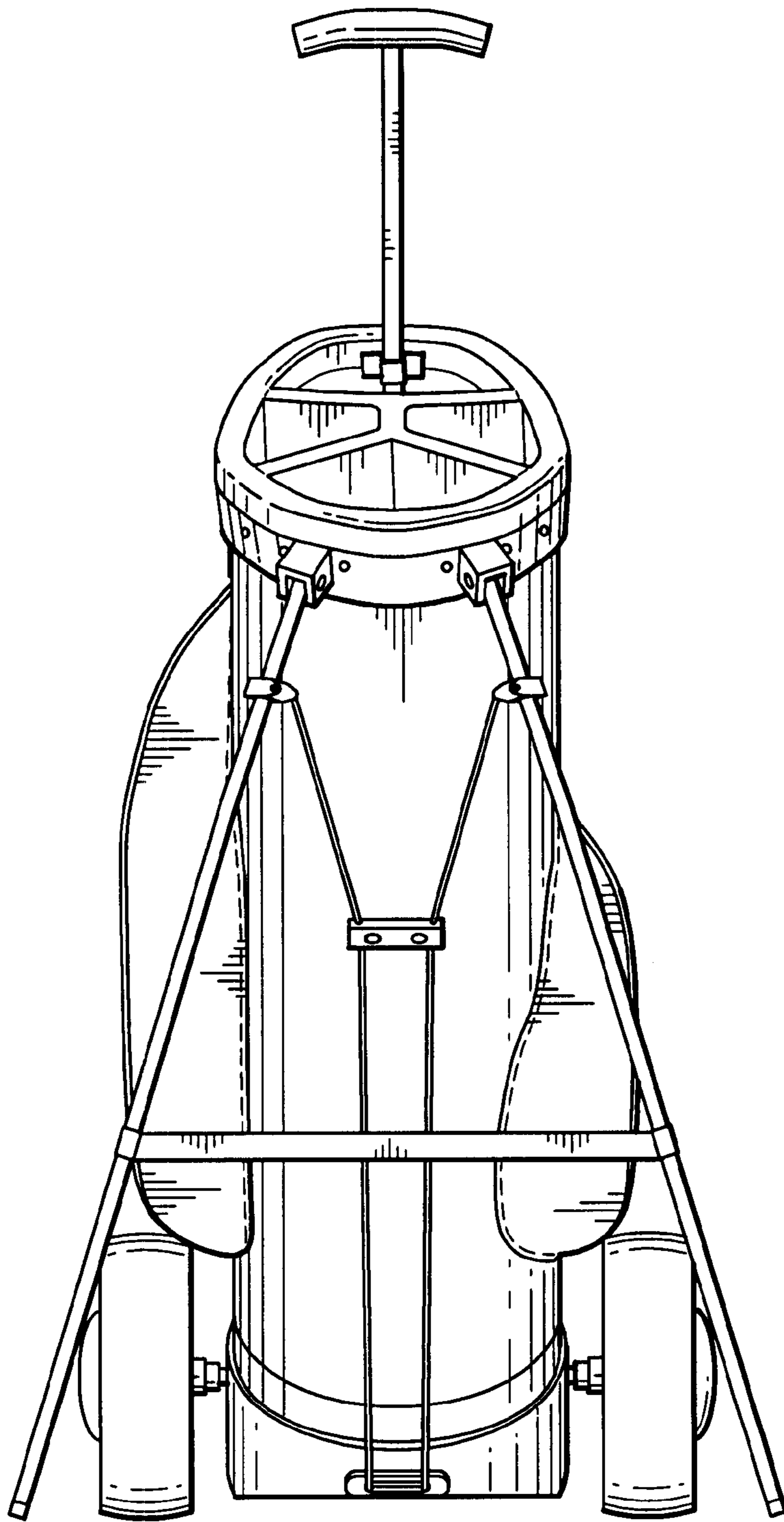


Fig. 5

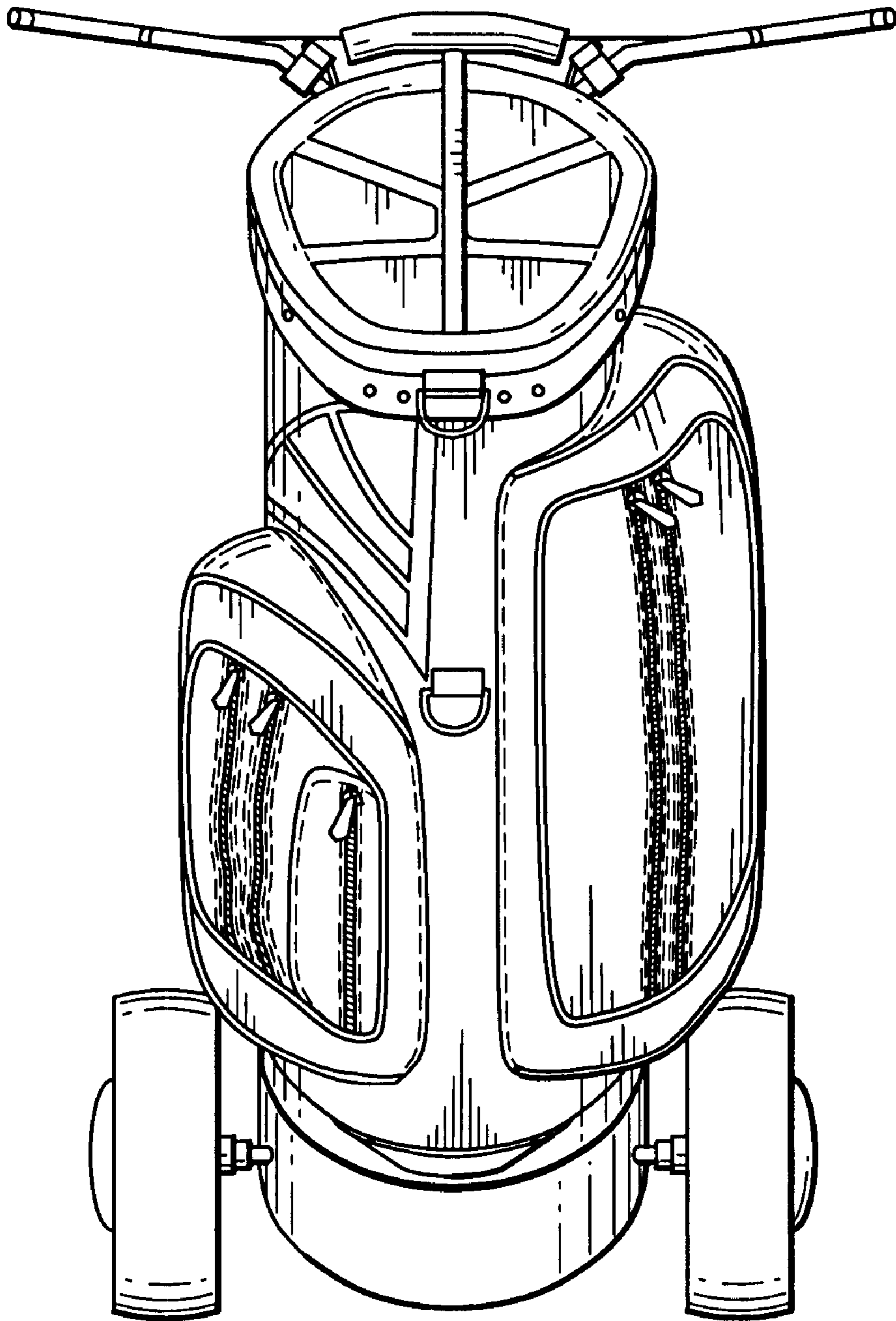


Fig. 6

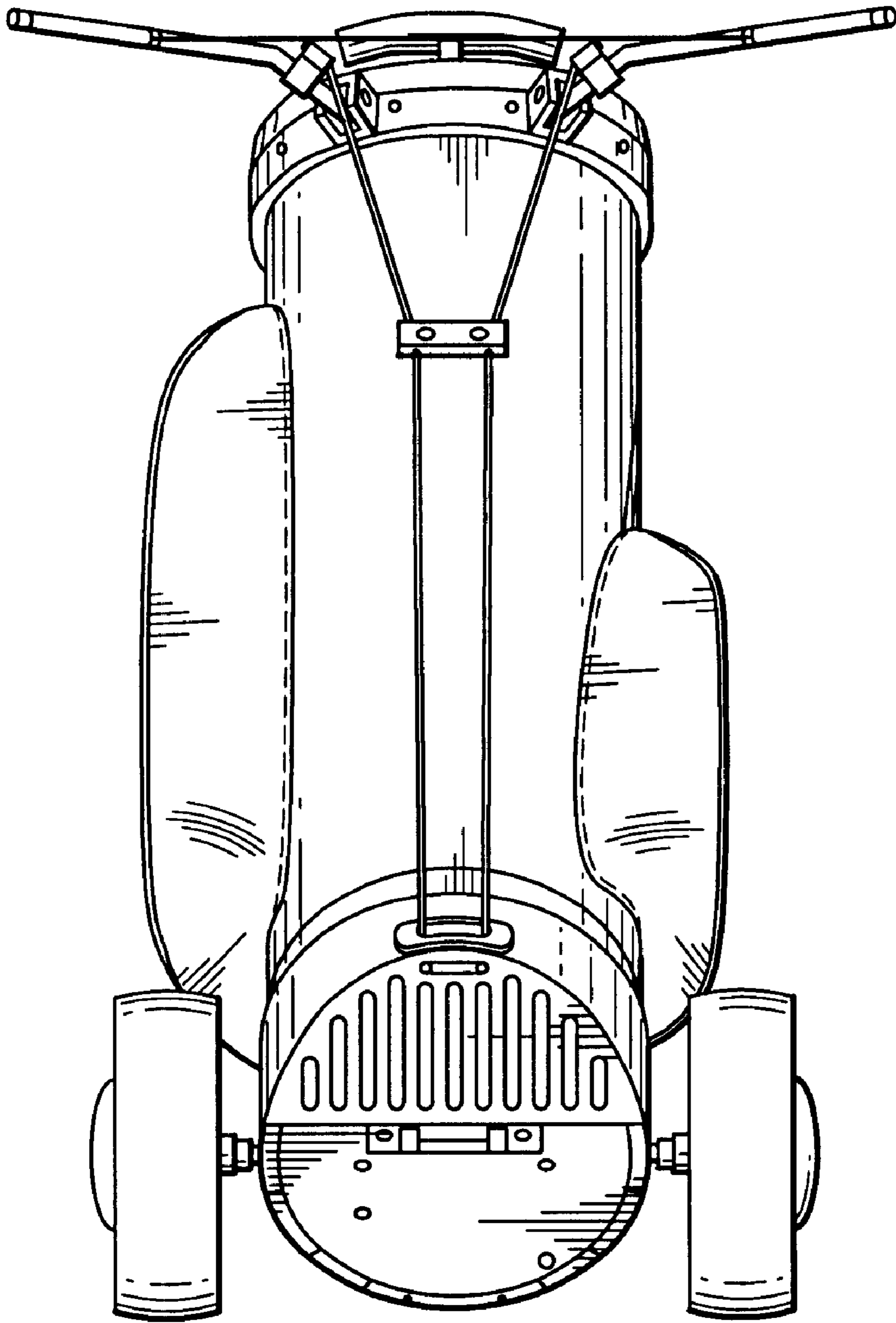


Fig. 7