



US00D459846S

(12) **United States Design Patent**
Mottern et al.

(10) **Patent No.:** **US D459,846 S**
(45) **Date of Patent:** **** Jul. 2, 2002**

- (54) **LOTTERY TICKET SCRAPER**
- (75) Inventors: **Rita Mottern**, Dunedin; **Dinah D. Miller**, Palm Harbor, both of FL (US)
- (73) Assignee: **RDM LC**, Dunedin, FL (US)
- (**) Term: **14 Years**
- (21) Appl. No.: **29/124,542**
- (22) Filed: **Jun. 8, 2000**
- (51) **LOC (7) Cl.** **08-05**
- (52) **U.S. Cl.** **D32/43; D32/46; D8/347**
- (58) **Field of Search** **D3/208, 210; D8/347, D8/348; D21/369, 385; D32/40, 43, 46; 15/236.01; 30/164.9, 169; 70/405, 407, 408**

- D290,056 S * 5/1987 Hatfield D32/46
- D293,143 S * 12/1987 Cornell D32/46
- D311,980 S * 11/1990 Baker D32/46
- D389,624 S * 1/1998 Drimmie et al. D32/46
- D418,645 S * 1/2000 Delborgo, Jr. D32/43

* cited by examiner

Primary Examiner—Alan P. Douglas

Assistant Examiner—Lavone Tabor

(74) *Attorney, Agent, or Firm*—William E. Mouzavires

(57) **CLAIM**

The ornamental design for a lottery ticket scraper, as shown.

DESCRIPTION

FIG. 1 is a top, side, and end perspective view of a lottery ticket scraper showing our new design;

FIG. 2 is reduced side elevational view of FIG. 1; and,

FIG. 3 is an elevational view of the opposite side of FIG. 2.

(56) **References Cited**

U.S. PATENT DOCUMENTS

4,631,943 A * 12/1986 Hoener 70/408 X

1 Claim, 1 Drawing Sheet

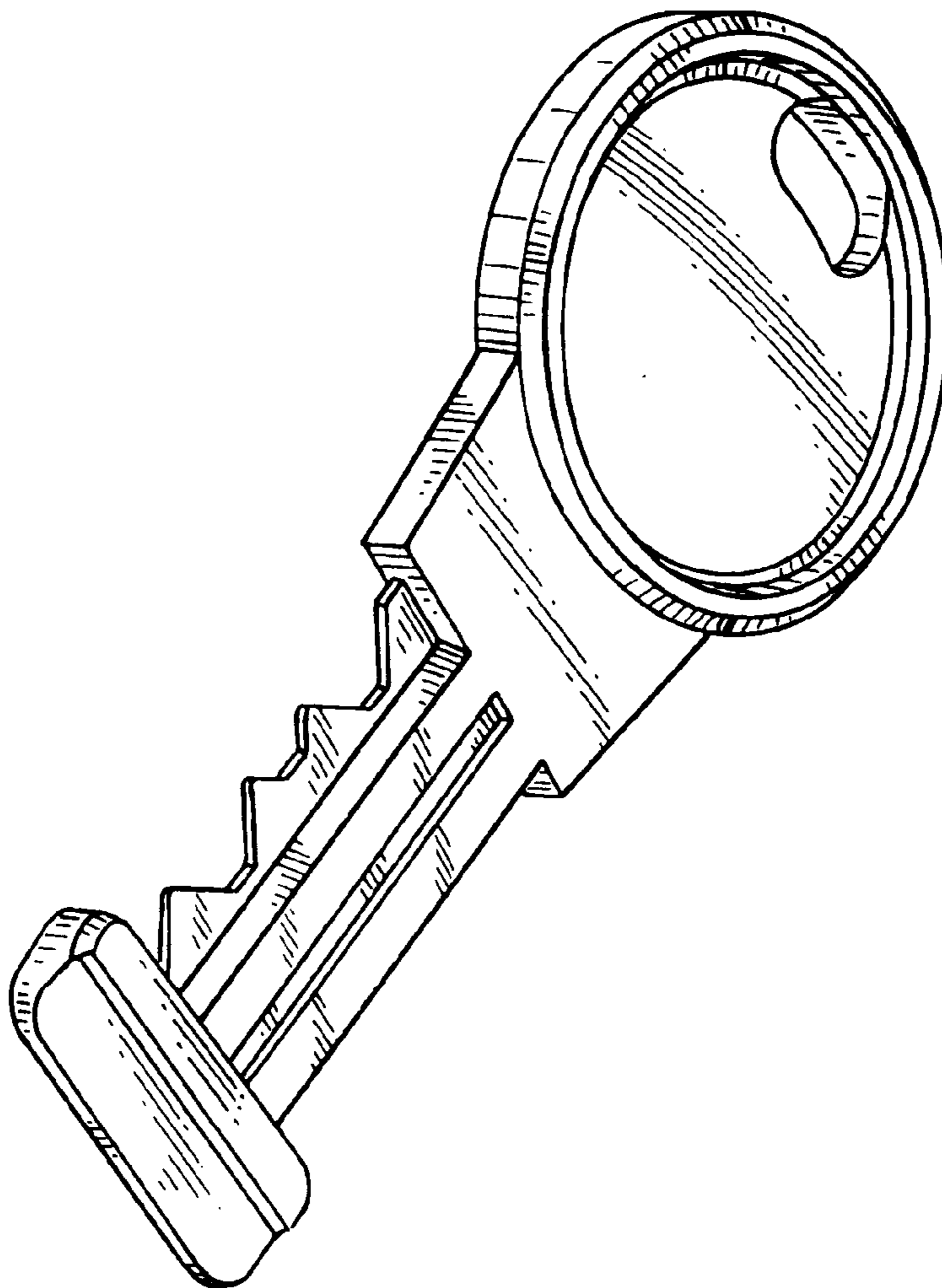


FIG. 1

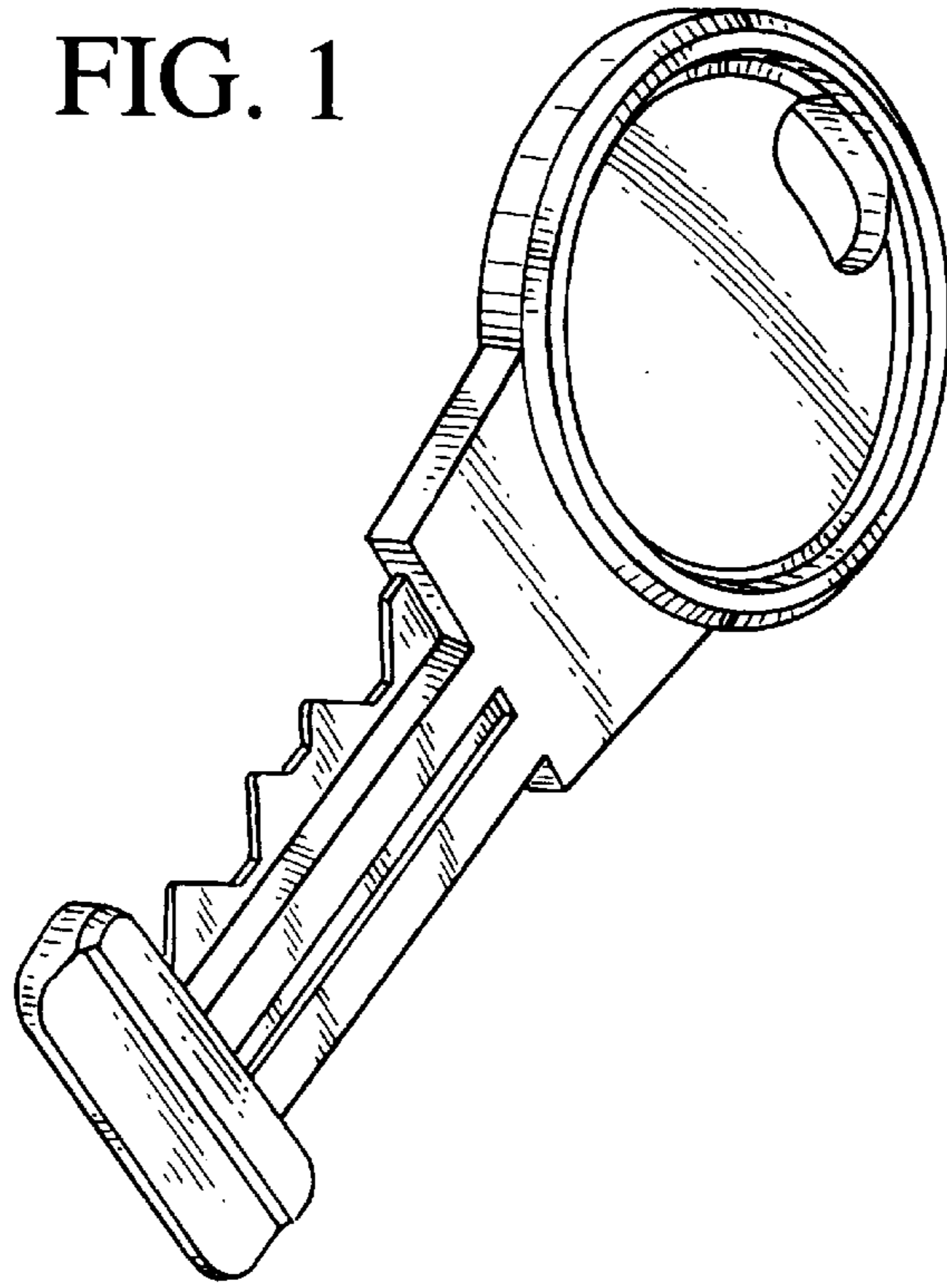


FIG. 2



FIG. 3