



US00D459843S

(12) **United States Design Patent**
Richardson

(10) **Patent No.:** **US D459,843 S**

(45) **Date of Patent:** **** Jul. 2, 2002**

- (54) **FRONT OF A DISHWASHER**
- (75) Inventor: **Jon Keith Richardson**, Dunedin (NZ)
- (73) Assignee: **Fisher & Paykel Limited**, Auckland (NZ)
- (**) Term: **14 Years**
- (21) Appl. No.: **29/147,277**
- (22) Filed: **Aug. 24, 2001**

Related U.S. Application Data

- (62) Division of application No. 29/130,815, filed on Oct. 10, 2000.

(30) **Foreign Application Priority Data**

- Apr. 10, 2000 (NZ) 400644
- (51) **LOC (7) Cl.** **15-05**
- (52) **U.S. Cl.** **D32/3**
- (58) **Field of Search** D32/2, 3; 134/135, 134/200, 562, 58 DL, 57 D; 312/108, 109

(56) **References Cited**

U.S. PATENT DOCUMENTS

D159,047 S	6/1950	Corbett
3,279,481 A	10/1966	Sones et al.
D377,853 S	2/1997	Sparks
D400,320 S	10/1998	Brace
D403,471 S	12/1998	Brace
D418,952 S	1/2000	Roberts
D424,257 S	5/2000	Umeda et al.
D438,677 S	3/2001	Roberts

Primary Examiner—Mitchell Siegel
(74) *Attorney, Agent, or Firm*—Trexler, Bushnell, Giangiorgi, Blackstone & Marr, Ltd.

(57) **CLAIM**

The ornamental design for a front of a dishwasher, as shown and described.

DESCRIPTION

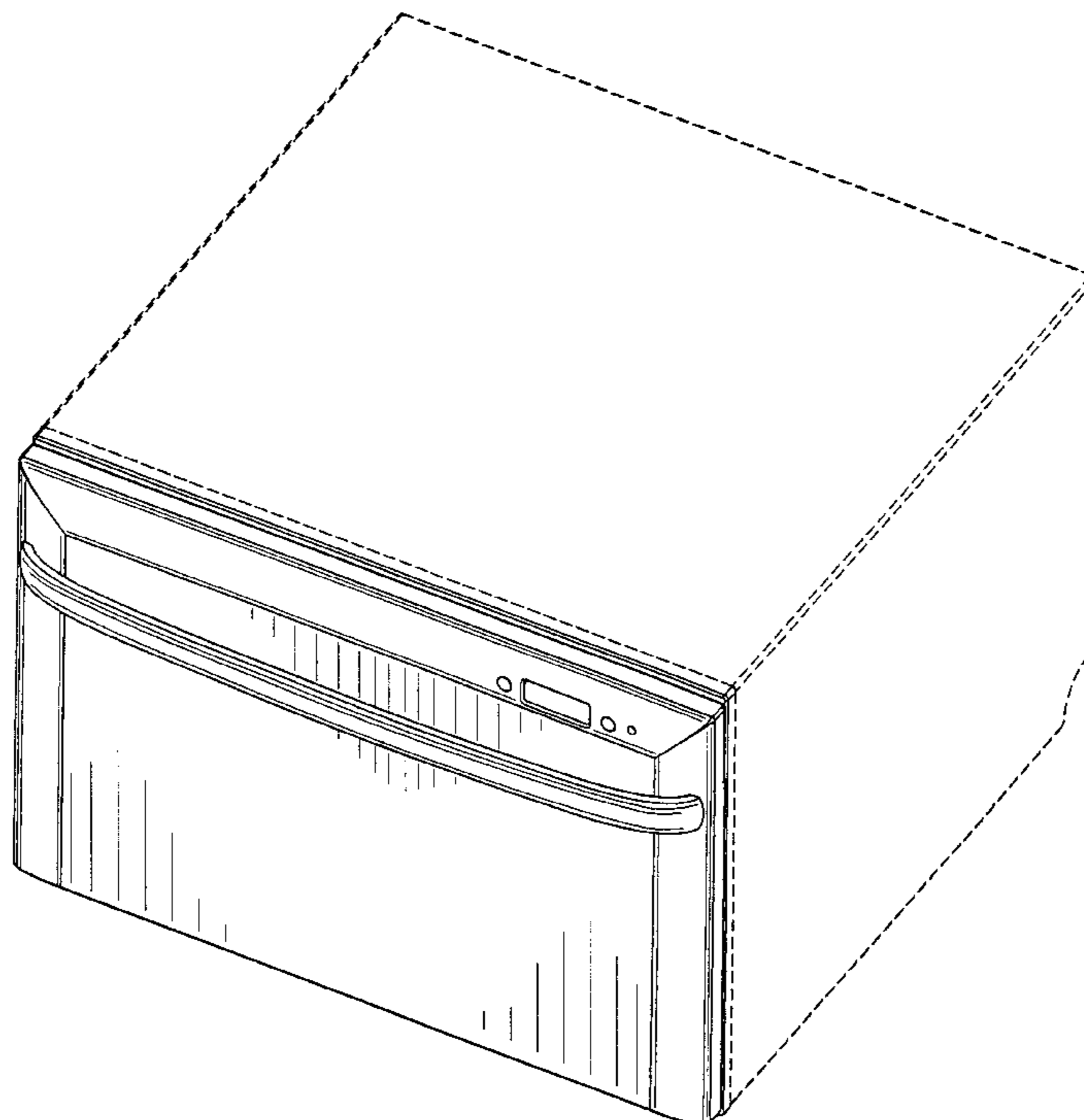
FIG. 1 is a perspective view of a front of a dishwasher according to a second embodiment of my design;
 FIG. 2 is a front elevational view of the front of the dishwasher according to the second embodiment;
 FIG. 3 is a right side elevational view of the front of the dishwasher according to the second embodiment;
 FIG. 4 is a top plan view of the front of the dishwasher according to the second embodiment; and,
 FIG. 5 is a bottom plan view of the front of the dishwasher according to the second embodiment.

While FIG. 3 illustrates the right side elevational view of the front of the dishwasher, the left side elevational view of the front of the dishwasher would be the mirror image.

While FIG. 3 illustrates the right side elevational view of the front of the dishwasher according to the second embodiment, the left side elevational view of the front of the dishwasher according to the second embodiment would be the mirror image.

In each of the Figures, the front of the dishwasher is shown positioned on a broken line representation of a dishwasher which is for illustrative purposes only and forms no portion of the claimed invention.

1 Claim, 5 Drawing Sheets



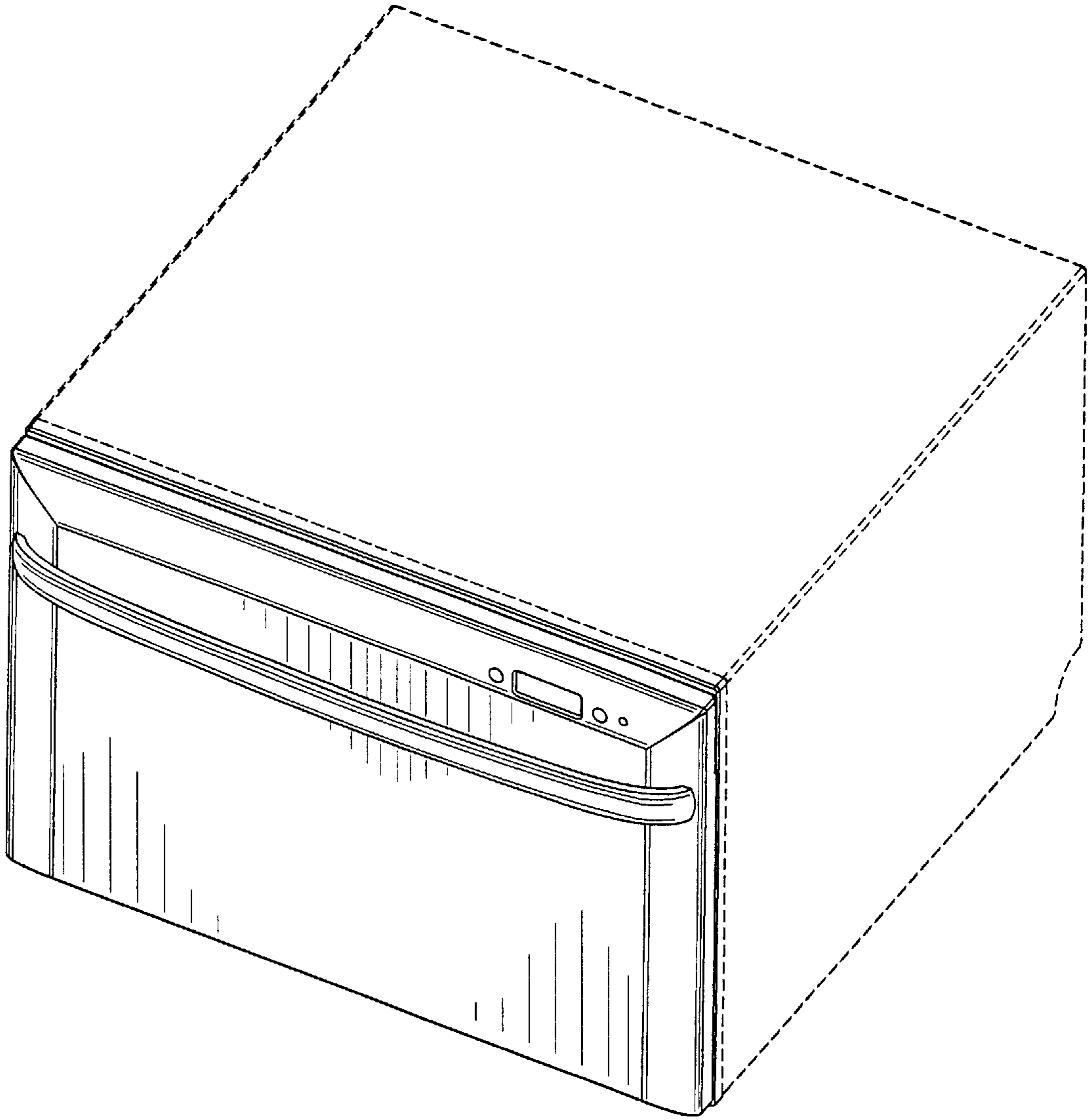


FIGURE 1

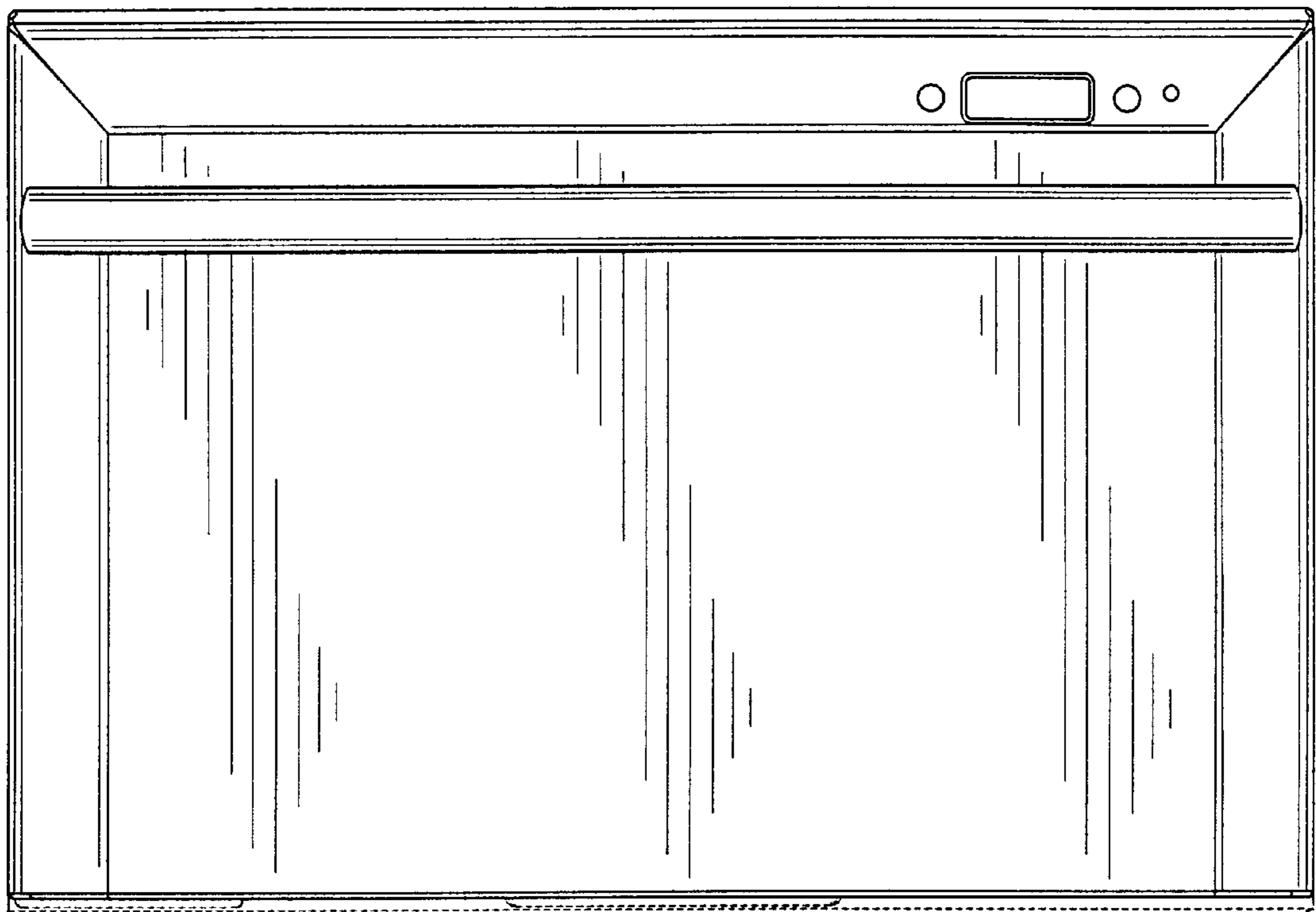


FIGURE 2



FIGURE 3

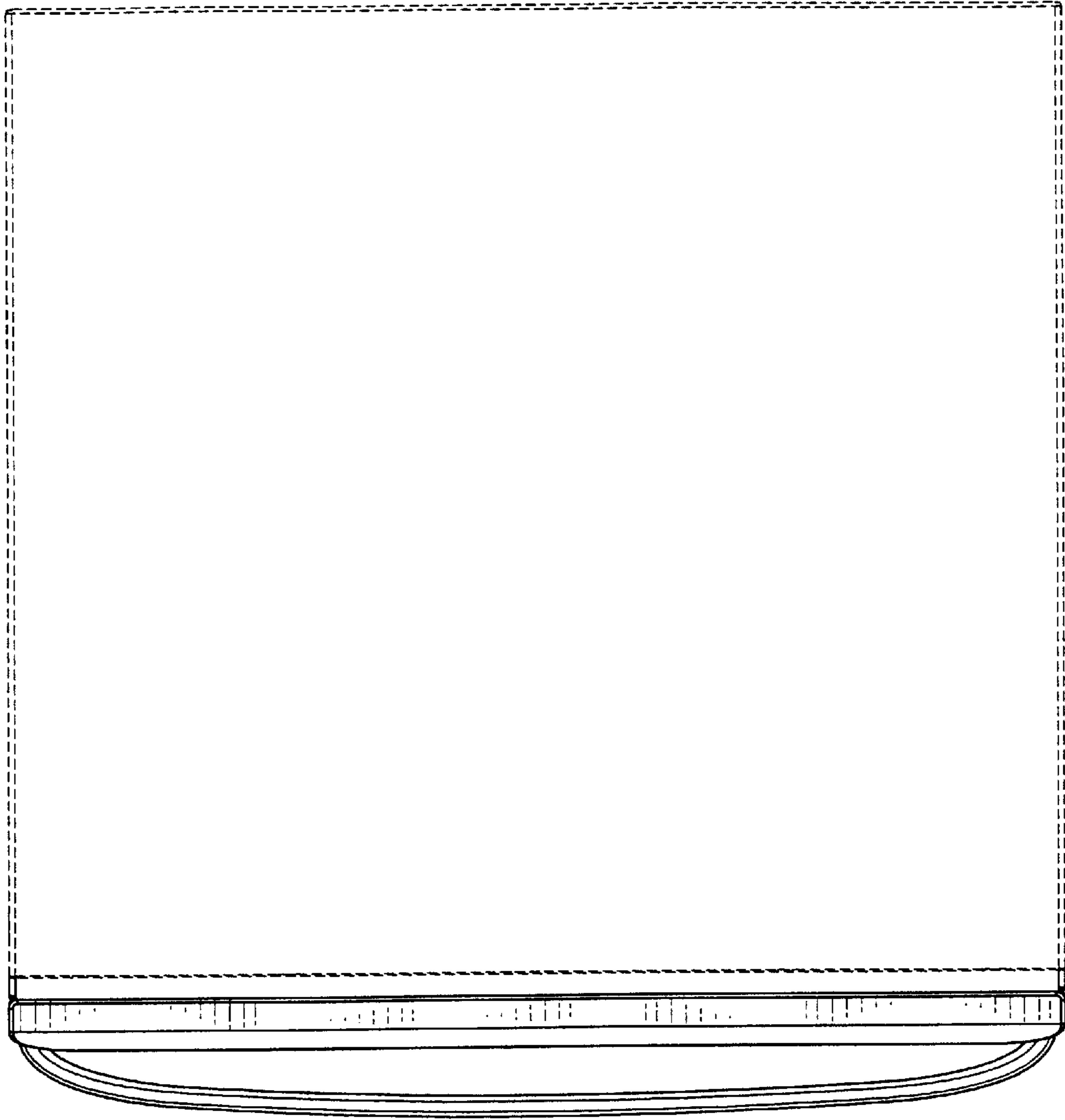


FIGURE 4

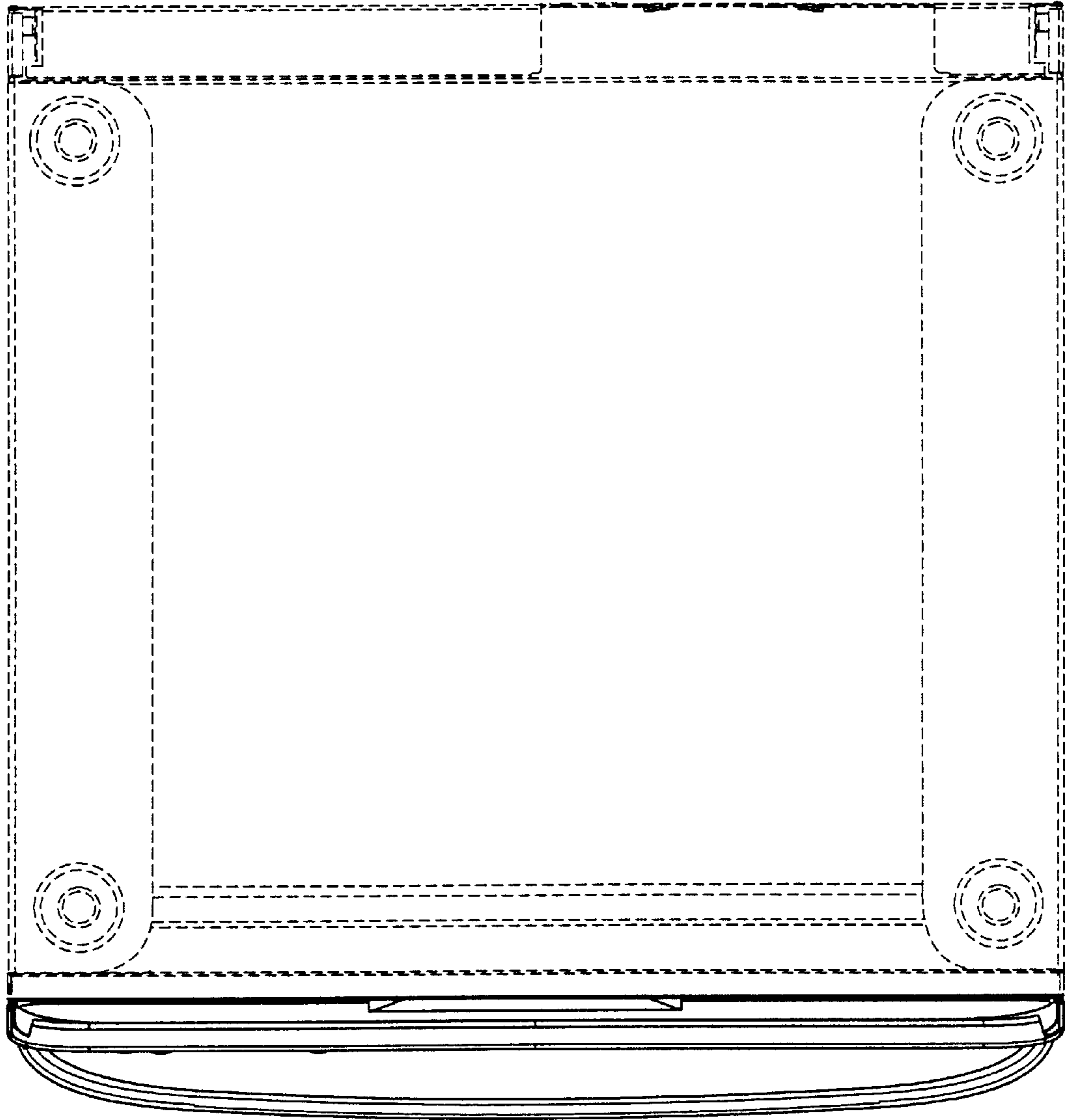


FIGURE 5