



US00D459840S

(12) **United States Design Patent**  
**Lian**

(10) **Patent No.:** **US D459,840 S**

(45) **Date of Patent:** **\*\* Jul. 2, 2002**

(54) **BIRD SHELF**

5,501,176 A \* 3/1996 Tully ..... 119/61

(76) Inventor: **Hui-Juan Lian**, No. 1, Lane 97, Hetzuo St., Fengyuan City, Taichung (TW)

\* cited by examiner

(\*\*) Term: **14 Years**

*Primary Examiner*—Pamela Burgess

(74) *Attorney, Agent, or Firm*—Rosenberg, Klein & Lee

(21) Appl. No.: **29/147,868**

(57) **CLAIM**

(22) Filed: **Sep. 10, 2001**

The ornamental design for bird shelf, as shown and described.

(51) **LOC (7) Cl.** ..... **30-03**

**DESCRIPTION**

(52) **U.S. Cl.** ..... **D30/124**

(58) **Field of Search** ..... D30/123, 124, D30/125, 127, 128, 131, 119; 119/57.1, 52.2, 72, 57.8, 57.9, 77, 51.5, 61, 69.5

FIG. 1 is a perspective view of bird shelf showing my new design;

FIG. 2 is a front elevational view thereof; with the rear side being a mirror image of that shown;

FIG. 3 is a left side elevational view thereof; with the right side being a mirror image of that shown;

FIG. 4 is a top side elevational view thereof; and,

FIG. 5 is a bottom side elevational view thereof.

(56) **References Cited**

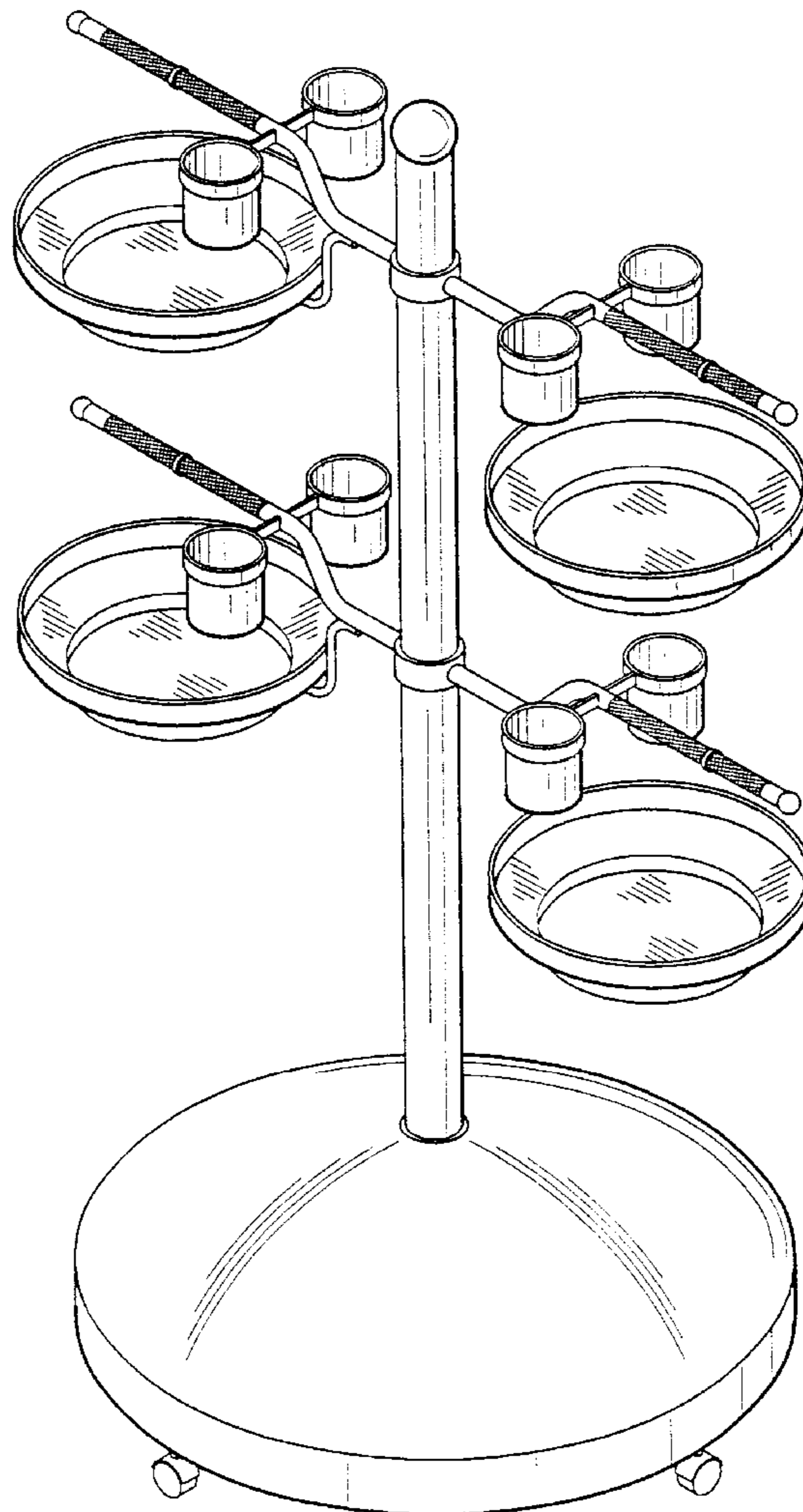
**U.S. PATENT DOCUMENTS**

2,887,988 A \* 5/1959 Cottongim ..... 119/51.5

4,399,772 A \* 8/1983 Salinas ..... 119/51.5

5,467,738 A \* 11/1995 Cass ..... 119/61

**1 Claim, 3 Drawing Sheets**



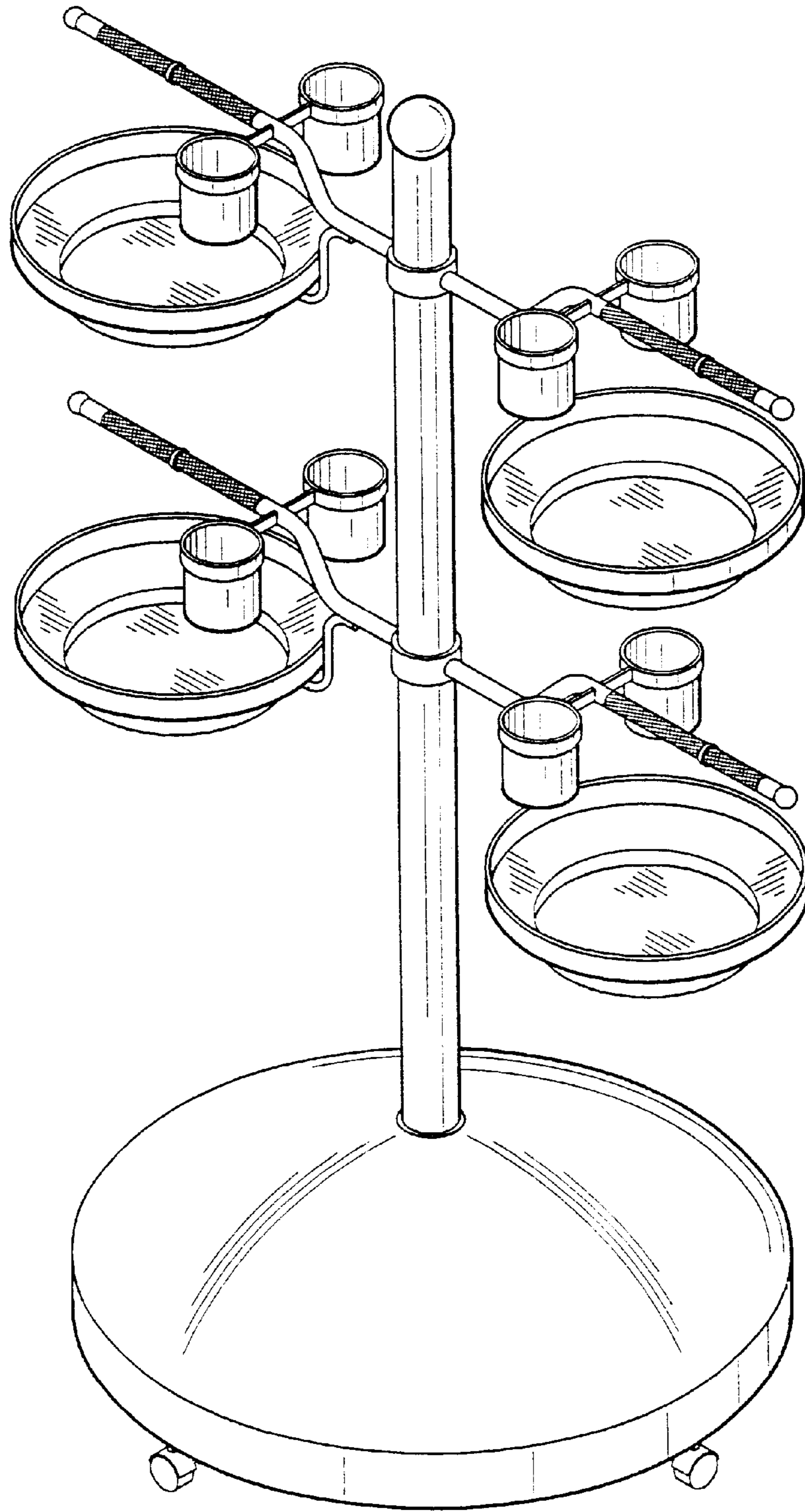


FIG. 1

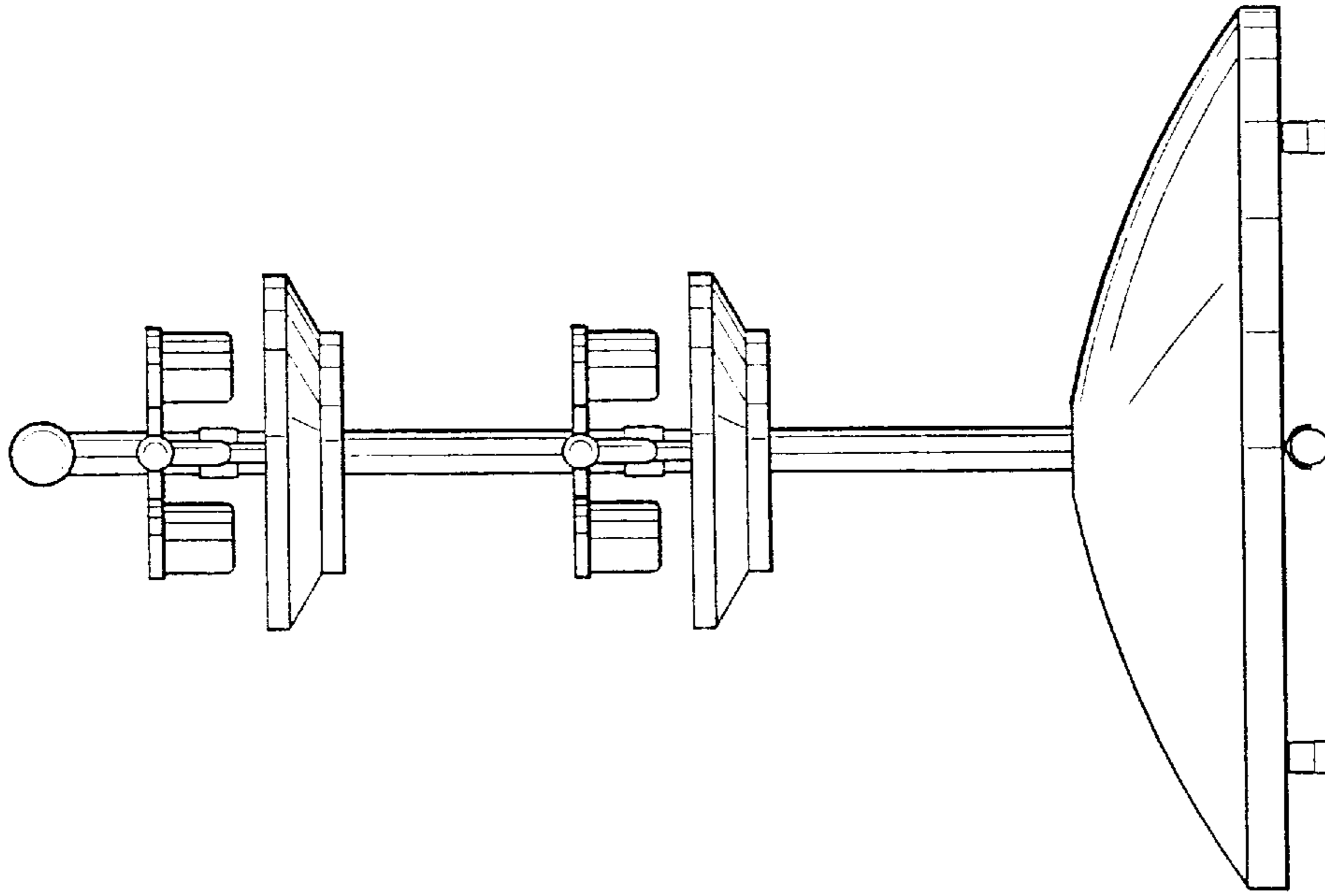


FIG. 3

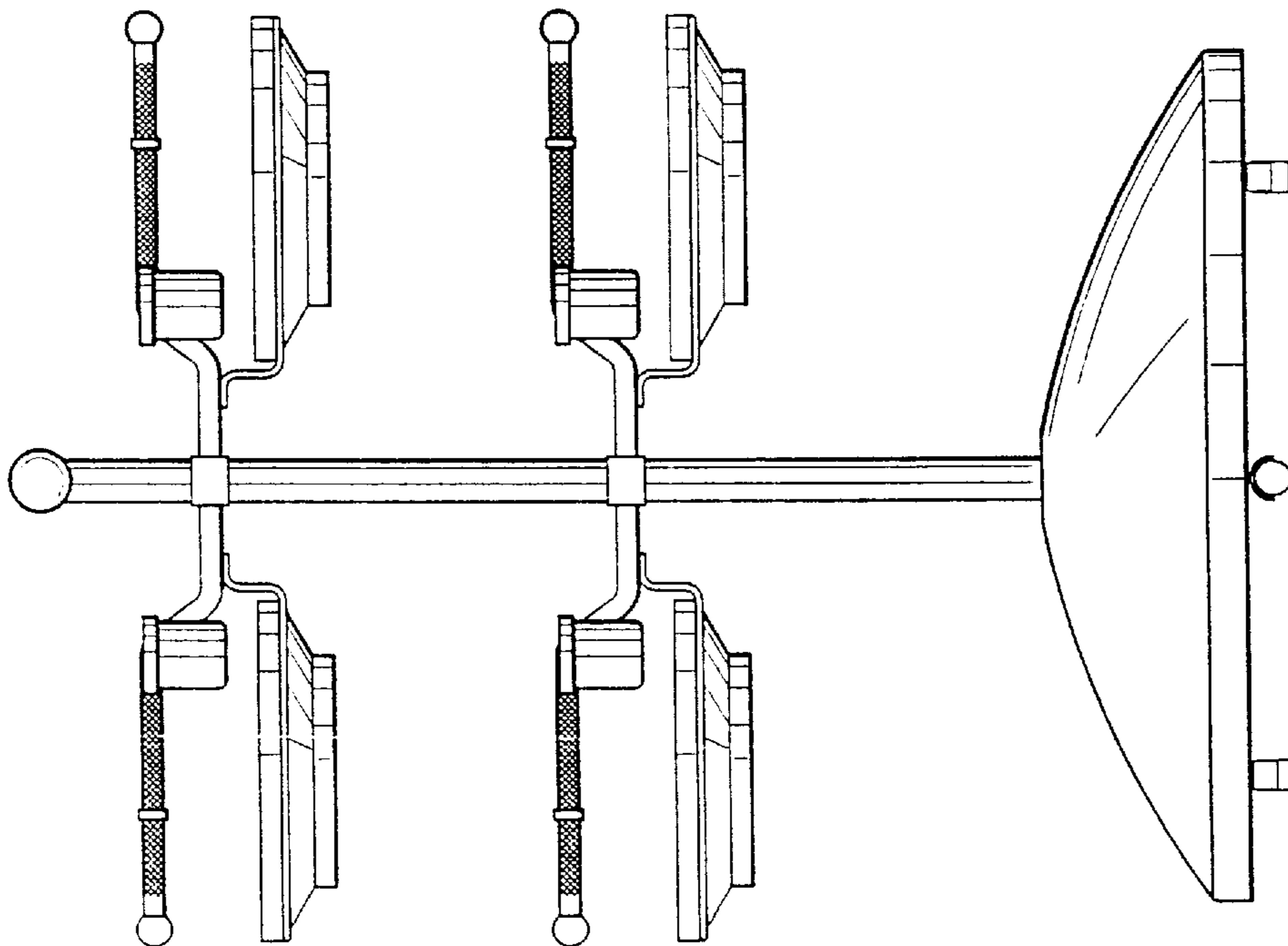


FIG. 2

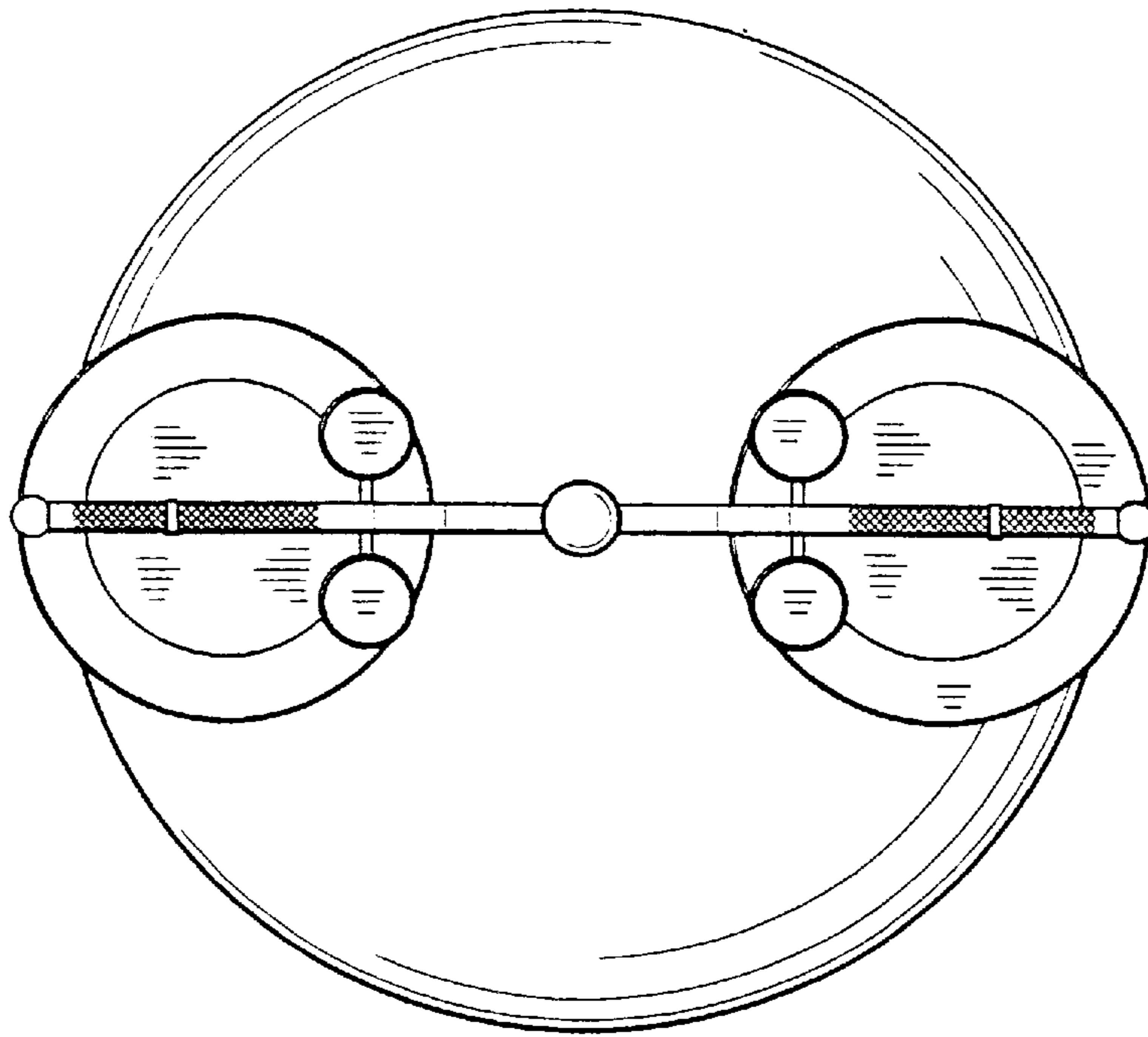


FIG. 4

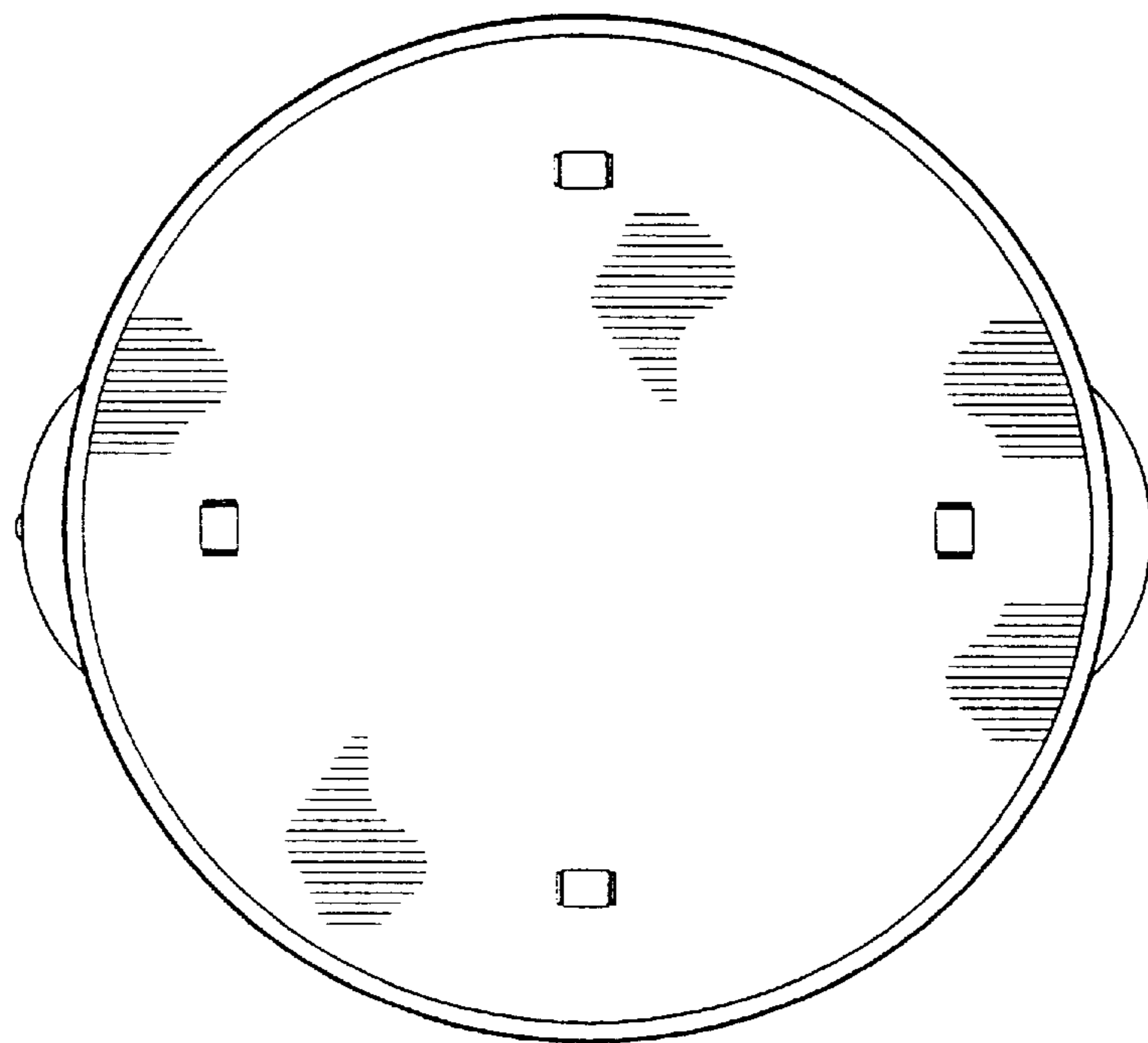


FIG. 5