



US00D459839S

(12) **United States Design Patent**
Blackford

(10) **Patent No.:** **US D459,839 S**

(45) **Date of Patent:** **** Jul. 2, 2002**

(54) **SAFETY ANCHOR FOR FALL ARREST LINE**

(75) **Inventor:** **Matthew J. Blackford**, Hastings, MN
(US)

(73) **Assignee:** **D B Industries, Inc.**, Red Wing, MN
(US)

(**) **Term:** **14 Years**

(21) **Appl. No.:** **29/142,046**

(22) **Filed:** **May 17, 2001**

(51) **LOC (7) Cl.** **29-02**

(52) **U.S. Cl.** **D29/124; D8/356**

(58) **Field of Search** D29/124, 100,
D29/101.1, 122; D34/28; D25/62, 66, 68;
D8/356, 383; 182/36, 3; 248/228.3

(56) **References Cited**

U.S. PATENT DOCUMENTS

- D178,879 S * 10/1956 Gachwind D29/124
- 3,217,833 A * 11/1965 Smith 182/3
- 3,860,089 A * 1/1975 Huggett 182/36

- 5,271,481 A * 12/1993 Rich 182/36
- 5,350,037 A * 9/1994 Ghahremani 182/36
- 5,711,397 A * 1/1998 Flora et al. 182/3
- 6,056,085 A * 5/2000 Cutter et al. 182/36
- 6,334,507 B1 * 1/2002 Westerweel 182/36

* cited by examiner

Primary Examiner—Lucy Lieberman

(74) *Attorney, Agent, or Firm*—Mau & Krull, P.A.

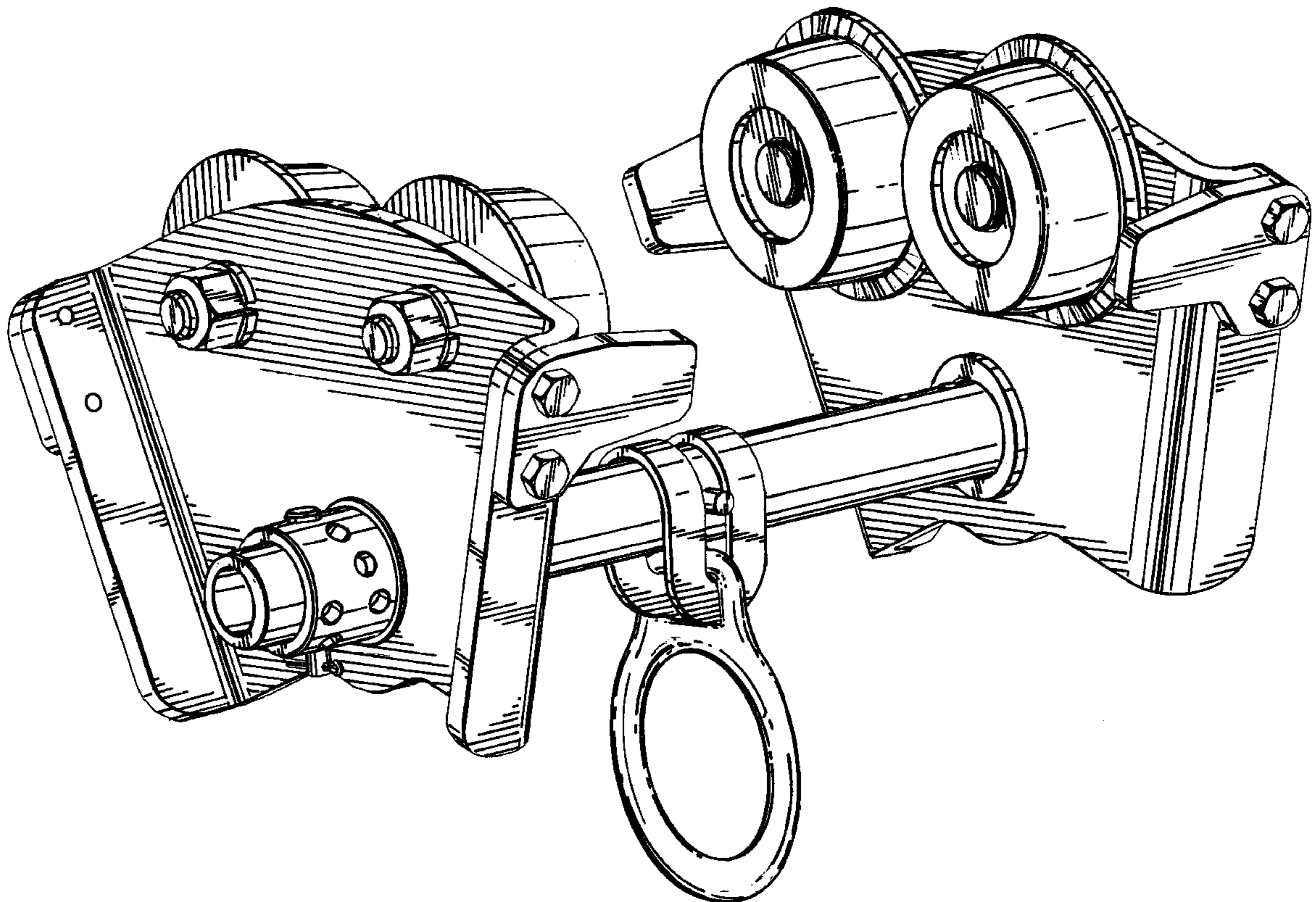
(57) **CLAIM**

The ornamental design for a safety anchor for fall arrest line, as shown and described.

DESCRIPTION

FIG. 1 is a perspective view of a safety anchor for fall arrest line showing my new design;
 FIG. 2 is a top view thereof;
 FIG. 3 is a bottom view thereof;
 FIG. 4 is a front elevational view thereof, the rear elevational view being a mirror image thereof; and,
 FIG. 5 is a right side view thereof, the left side view being a mirror image thereof.

1 Claim, 5 Drawing Sheets



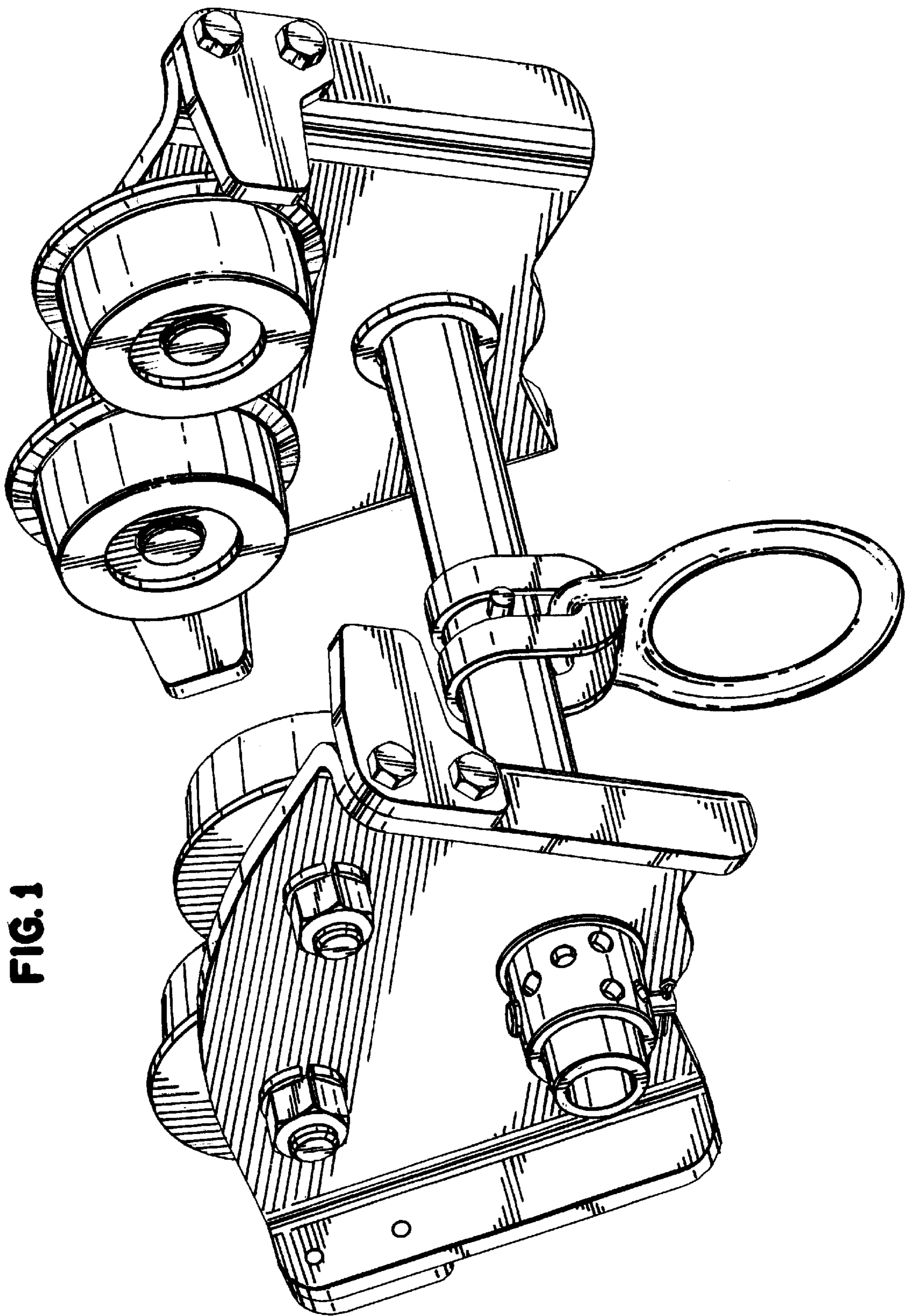


FIG. 1

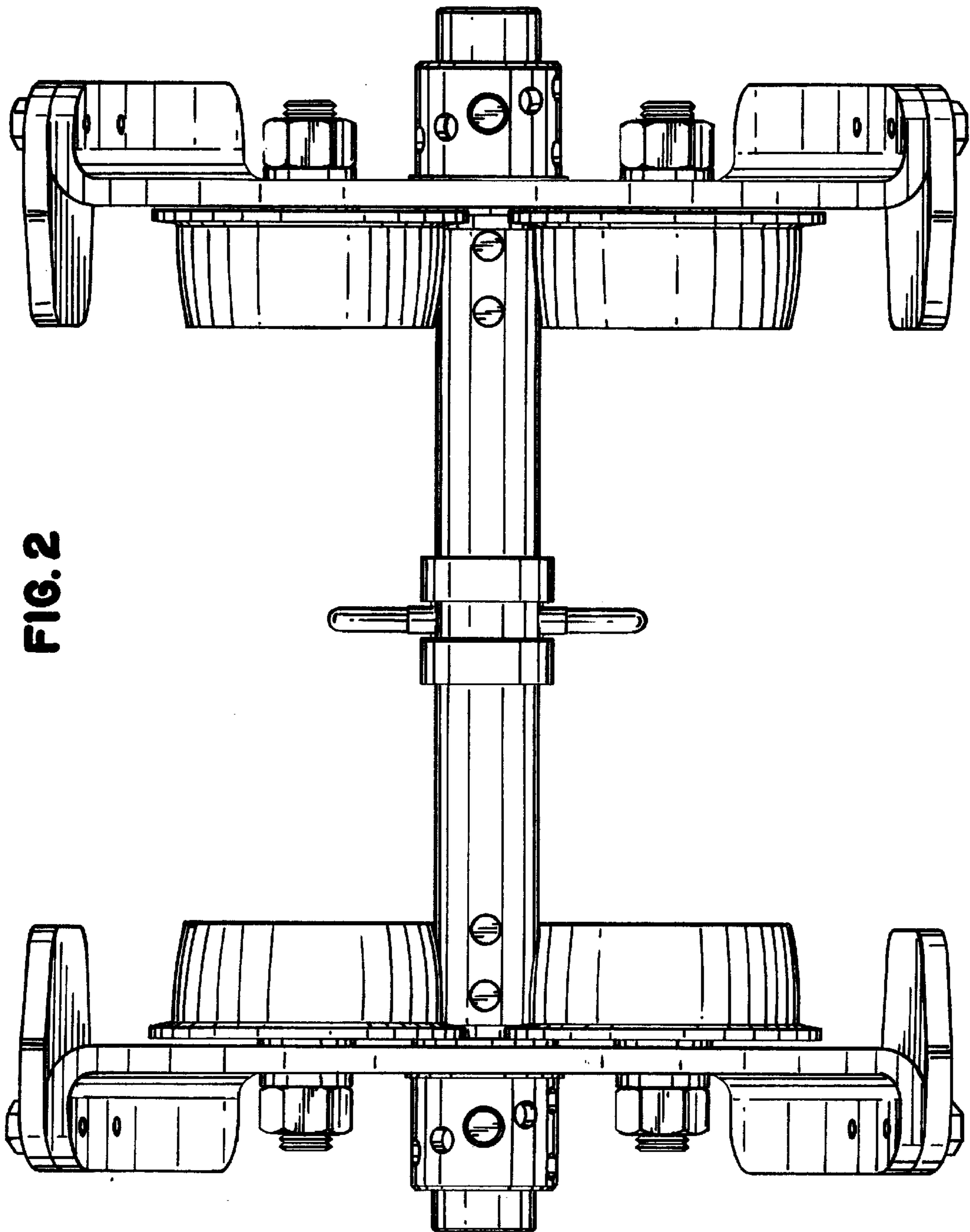


FIG. 2

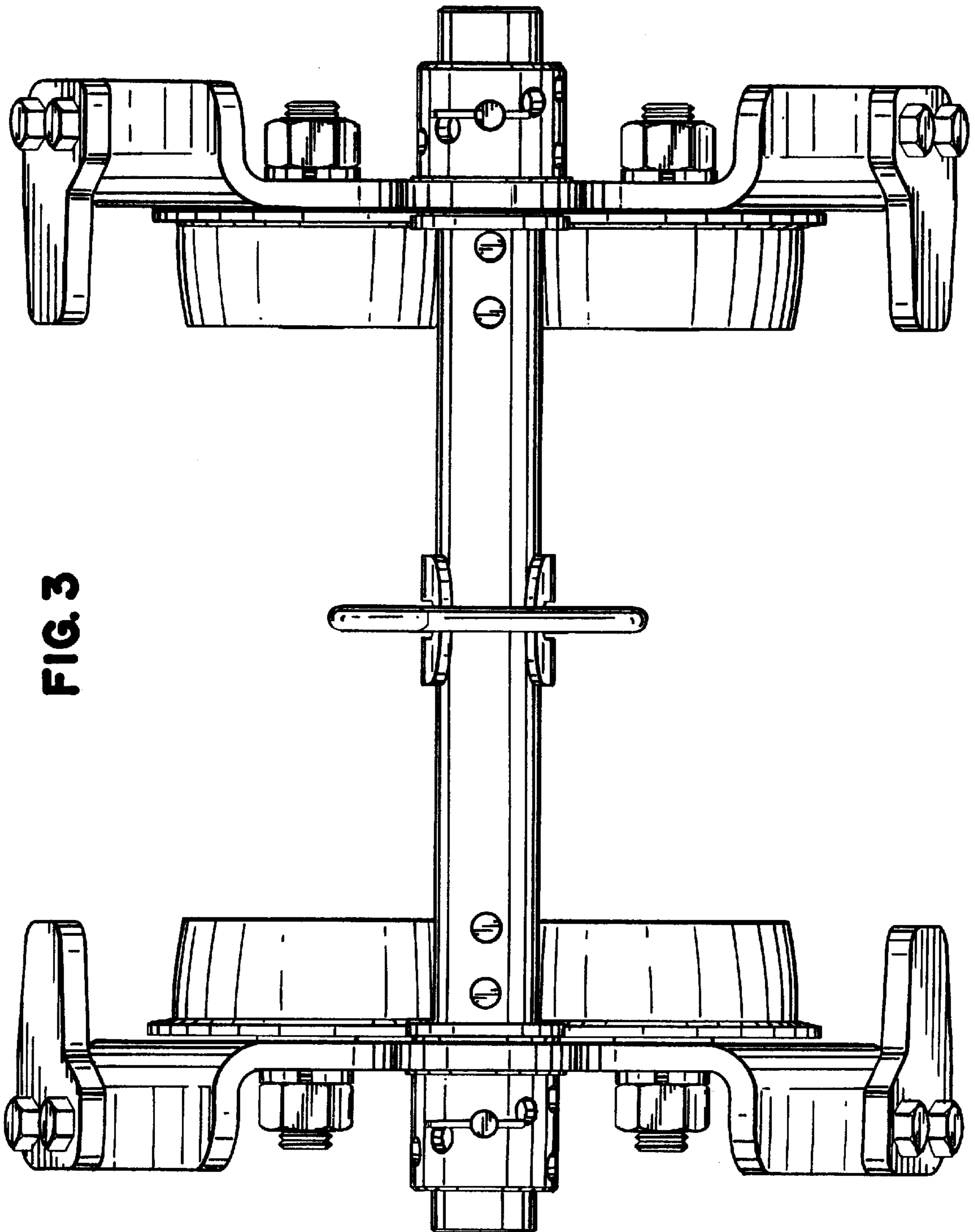


FIG. 3

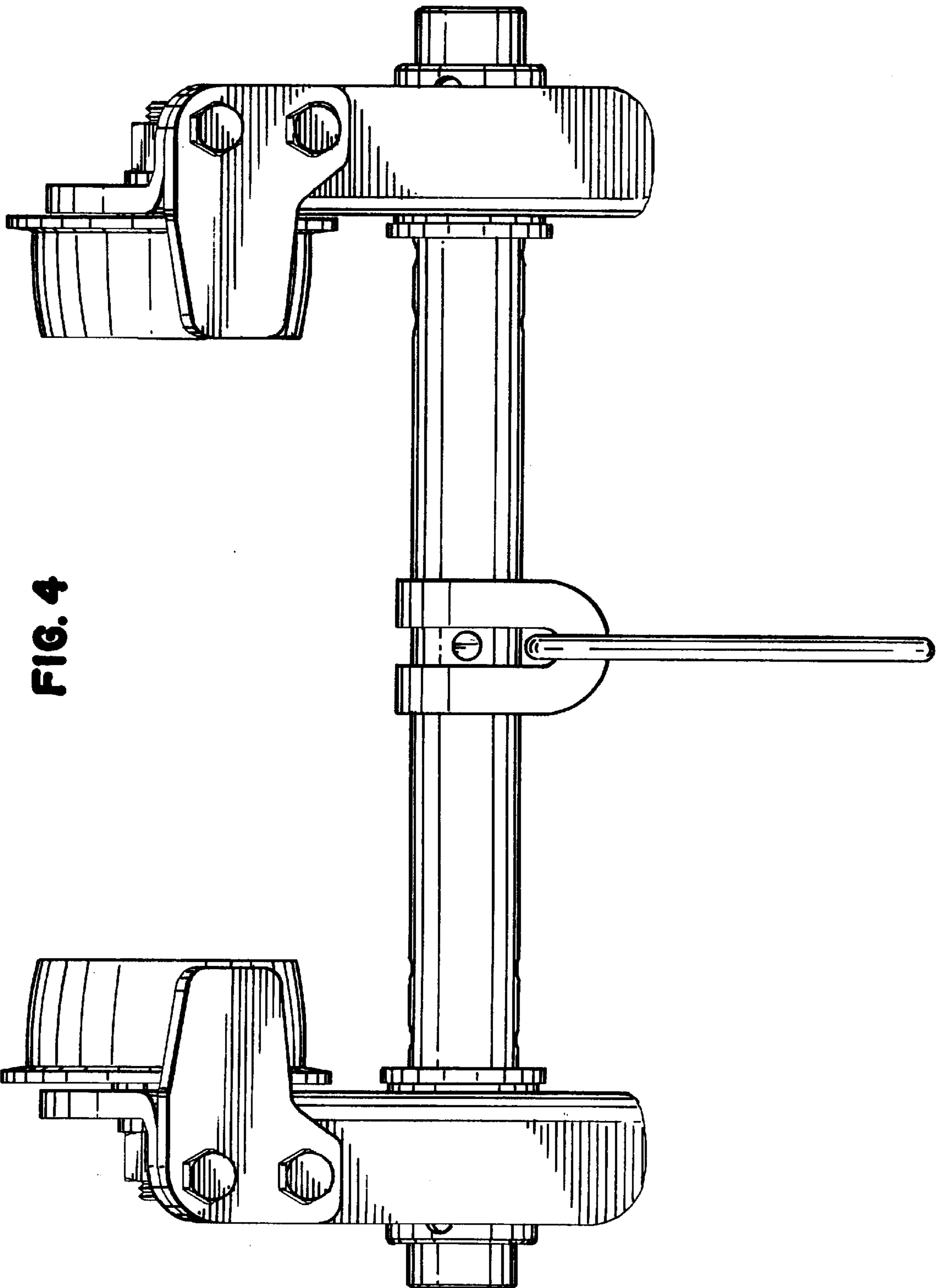


FIG. 4

FIG. 5

