



US00D459838S

(12) **United States Design Patent**
Parkins

(10) **Patent No.:** **US D459,838 S**

(45) **Date of Patent:** **** Jul. 2, 2002**

(54) **INFLATABLE PAD FOR A KNEE PROTECTOR**

D328,960 S * 8/1992 Douglas D29/101.1
D351,255 S * 10/1994 Pytlewski D29/121.1
6,253,376 B1 * 7/2001 Ritter 2/24

(76) Inventor: **Merle J. Parkins**, 9329 Bocina La.,
Apt. "E", Atascadero, CA (US) 93422

* cited by examiner

(**) Term: **14 Years**

Primary Examiner—Stella Reid
Assistant Examiner—Robert A. Delehanty
(74) *Attorney, Agent, or Firm*—Willie Krawitz

(21) Appl. No.: **29/139,382**

(22) Filed: **Mar. 30, 2001**

(57) **CLAIM**

(51) **LOC (7) Cl.** **02-04**

The ornamental design for an inflatable pad for a knee protector, as shown and described.

(52) **U.S. Cl.** **D29/121.1**

(58) **Field of Search** D29/120.1, 121.1,
D29/121.2, 122; D2/610, 614–615, 623,
999; D24/190, 192; 128/846, 878; 602/26,
62–63; 2/455, 22–24, 46, 62, 242

DESCRIPTION

(56) **References Cited**

U.S. PATENT DOCUMENTS

563,468 A * 7/1896 Fergusson D29/121.1 X
2,785,407 A * 3/1957 Reeder D29/121.1 X
3,044,075 A * 7/1962 Rawlings D29/121.1 X
4,751,748 A * 6/1988 Ekins D29/121.1 X
D322,146 S * 12/1991 Anderson D29/121.1

FIG. 1 is a top plan view of an inflatable pad for a knee protector, showing my design;
FIG. 2 is a bottom plan view thereof;
FIG. 3 is a front elevation view thereof;
FIG. 4 is a right side elevation view thereof, the left side elevation view being the mirror image thereof;
FIG. 5 is a rear elevation view thereof; and,
FIG. 6 is a cross section view thereof, taken along lines 6—6 of FIG. 3.

1 Claim, 1 Drawing Sheet

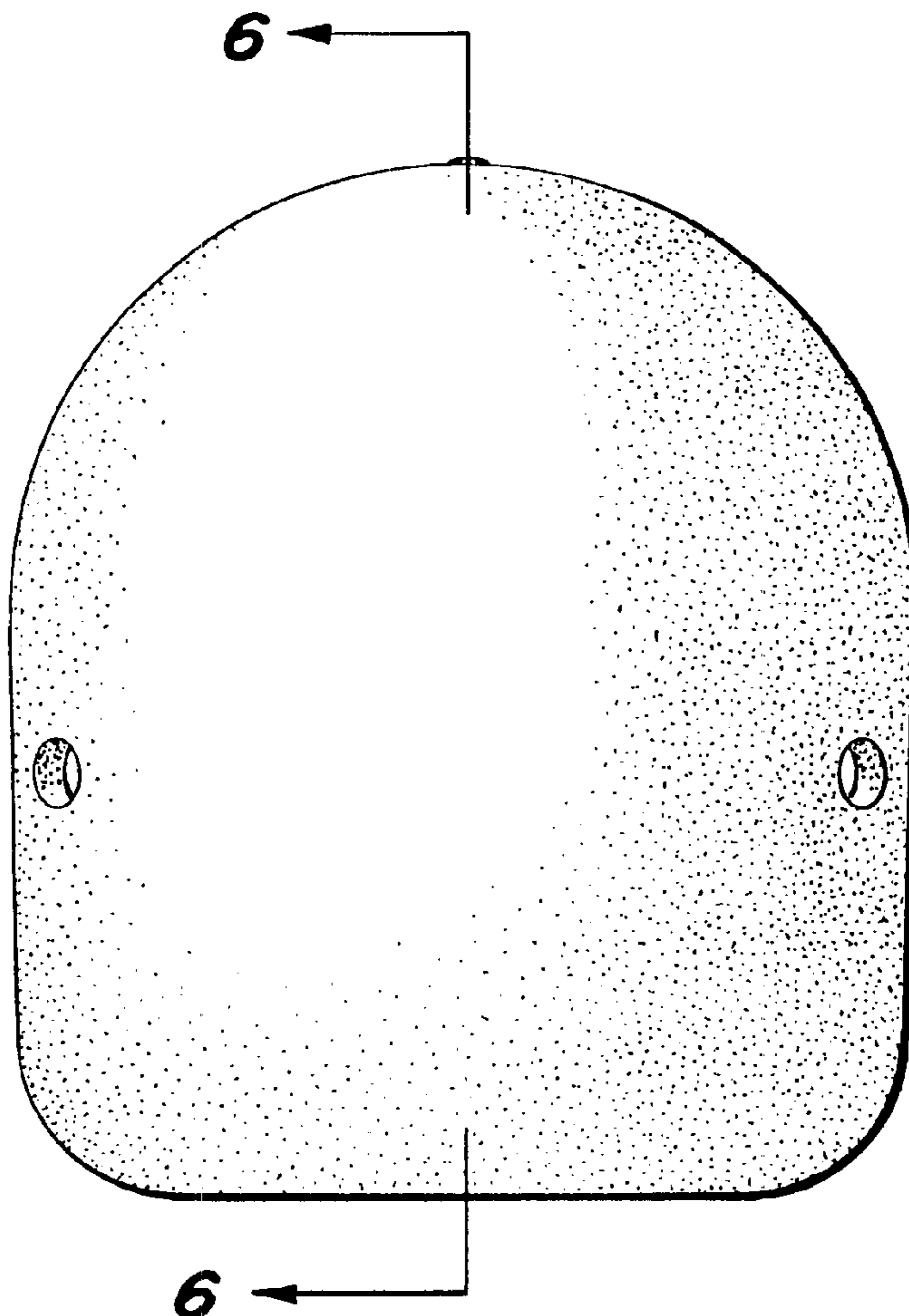


FIG. 1

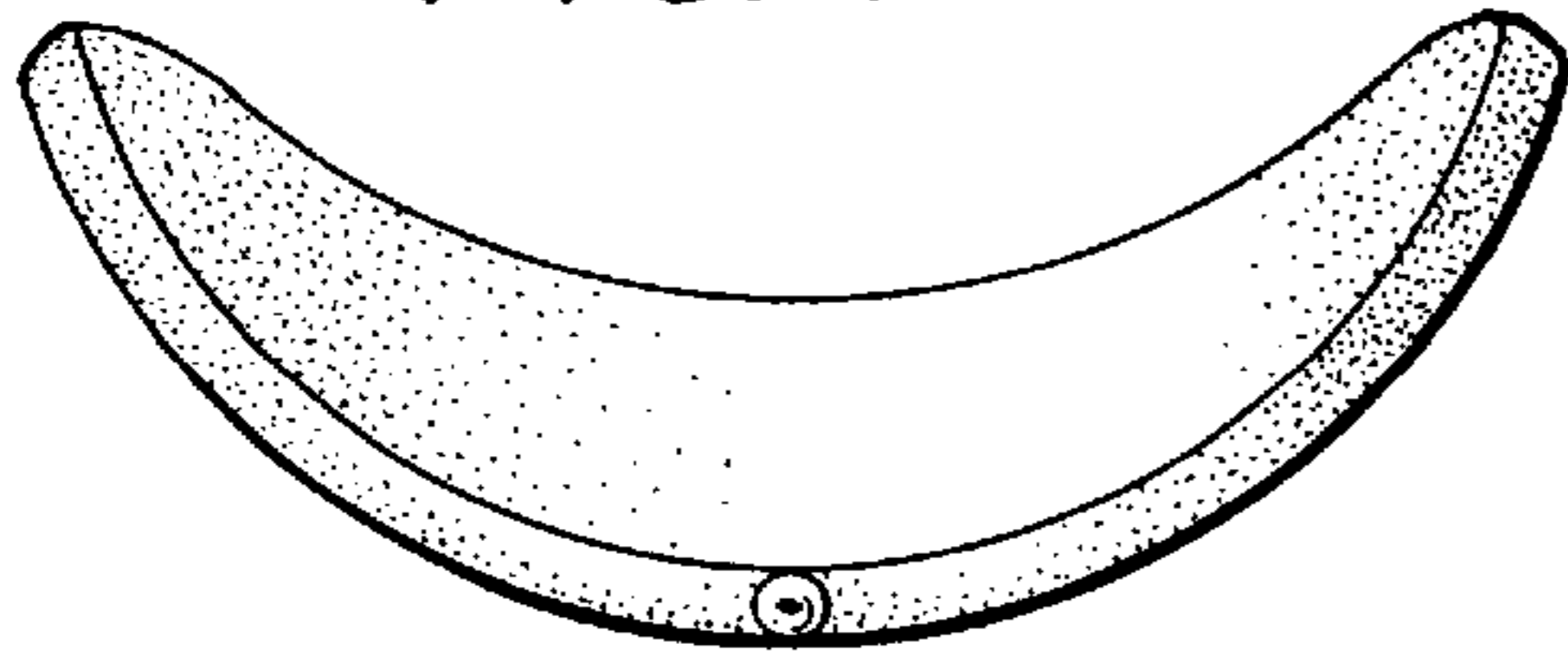


FIG. 2

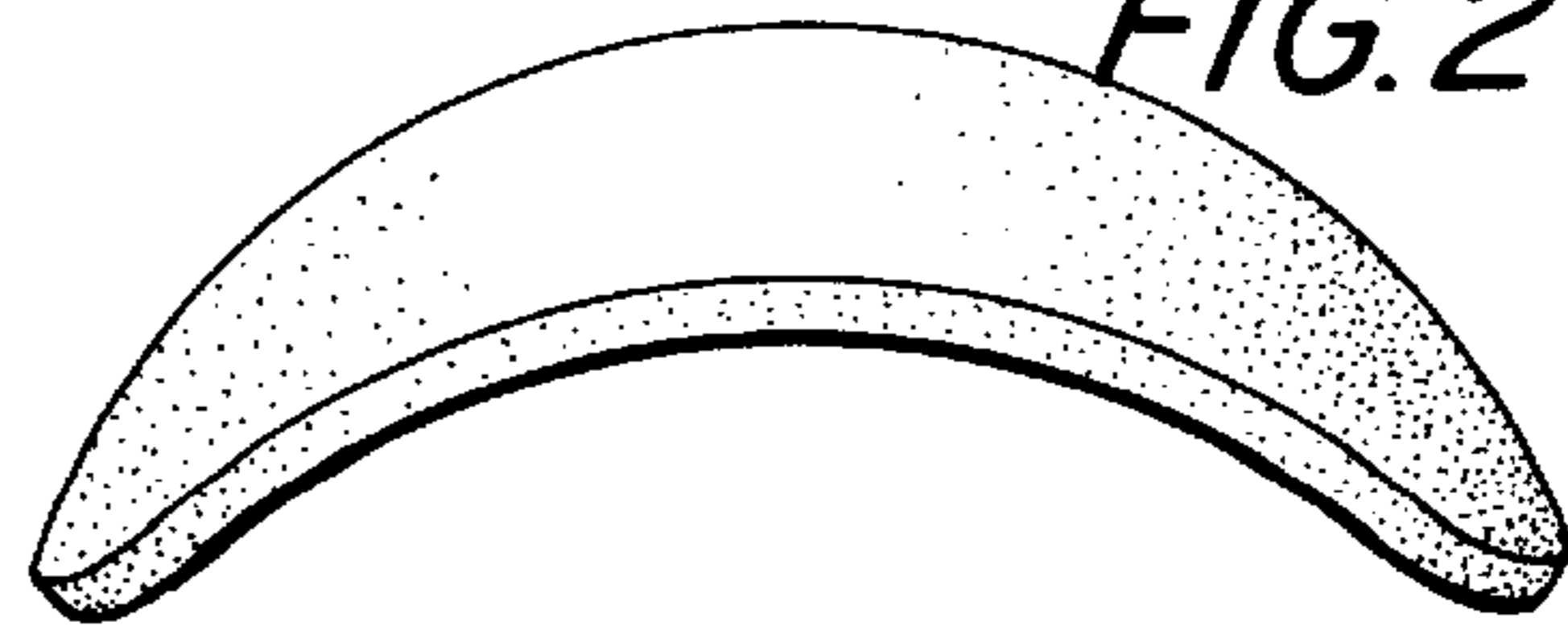


FIG. 3

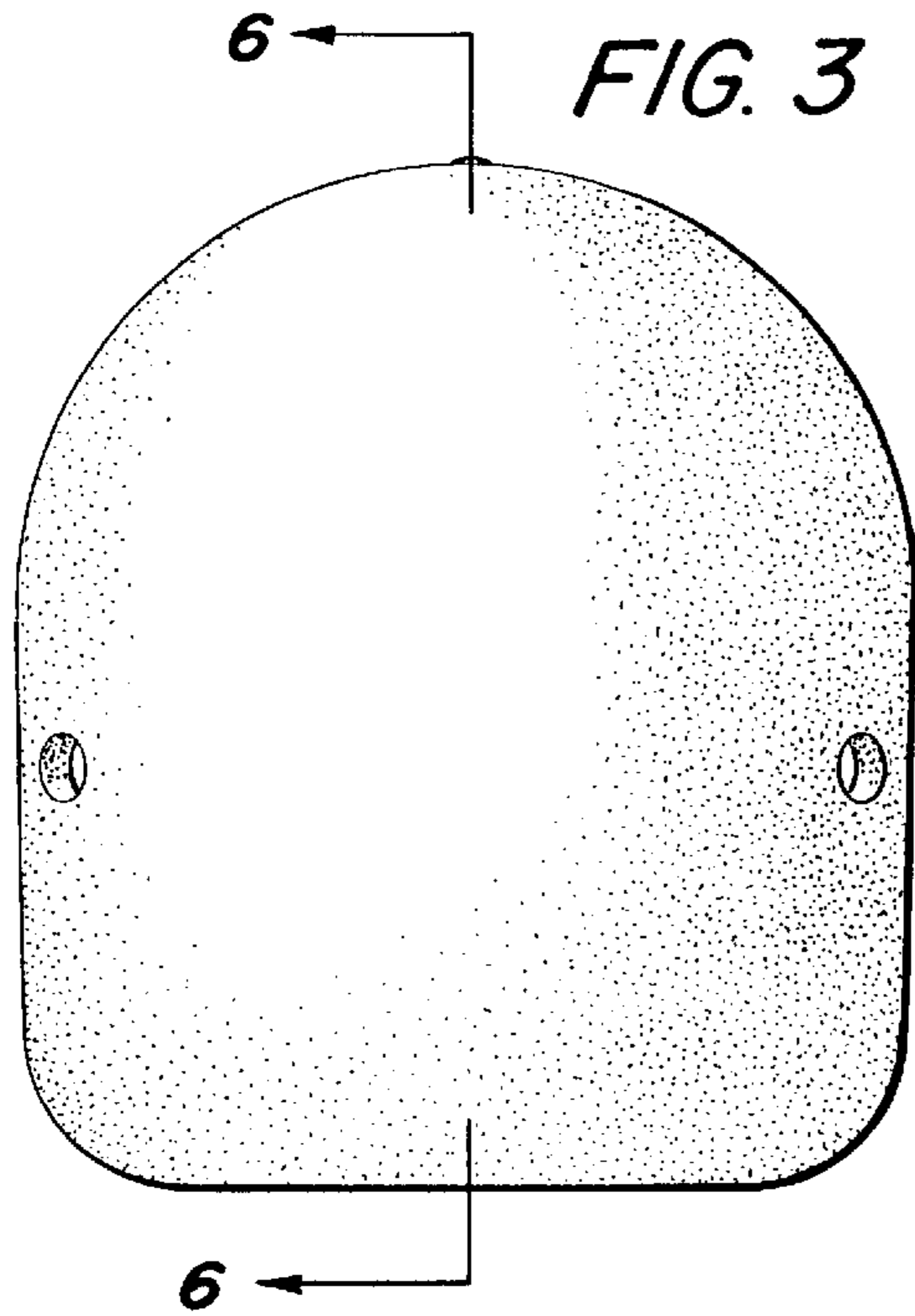


FIG. 4

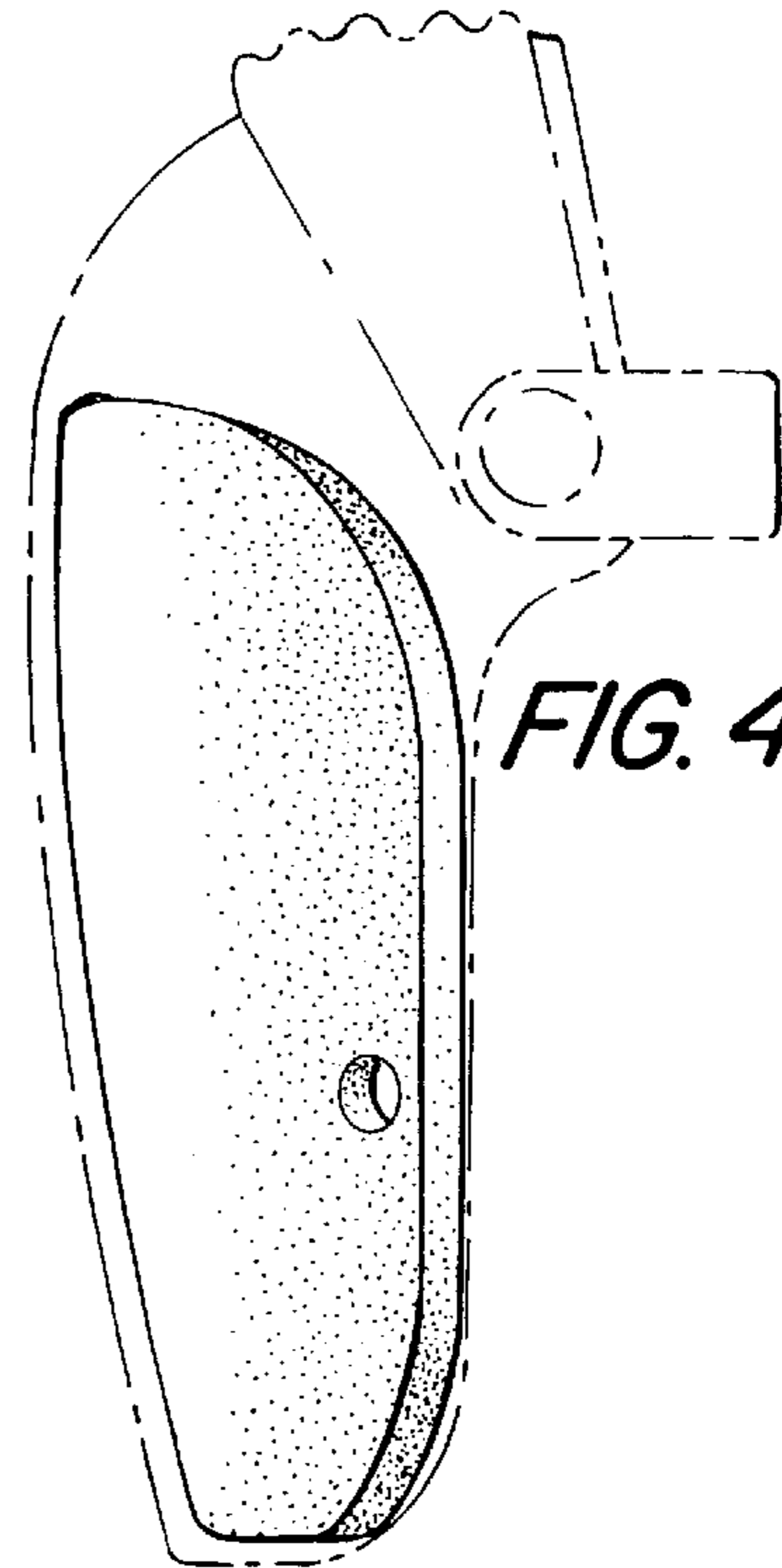


FIG. 5

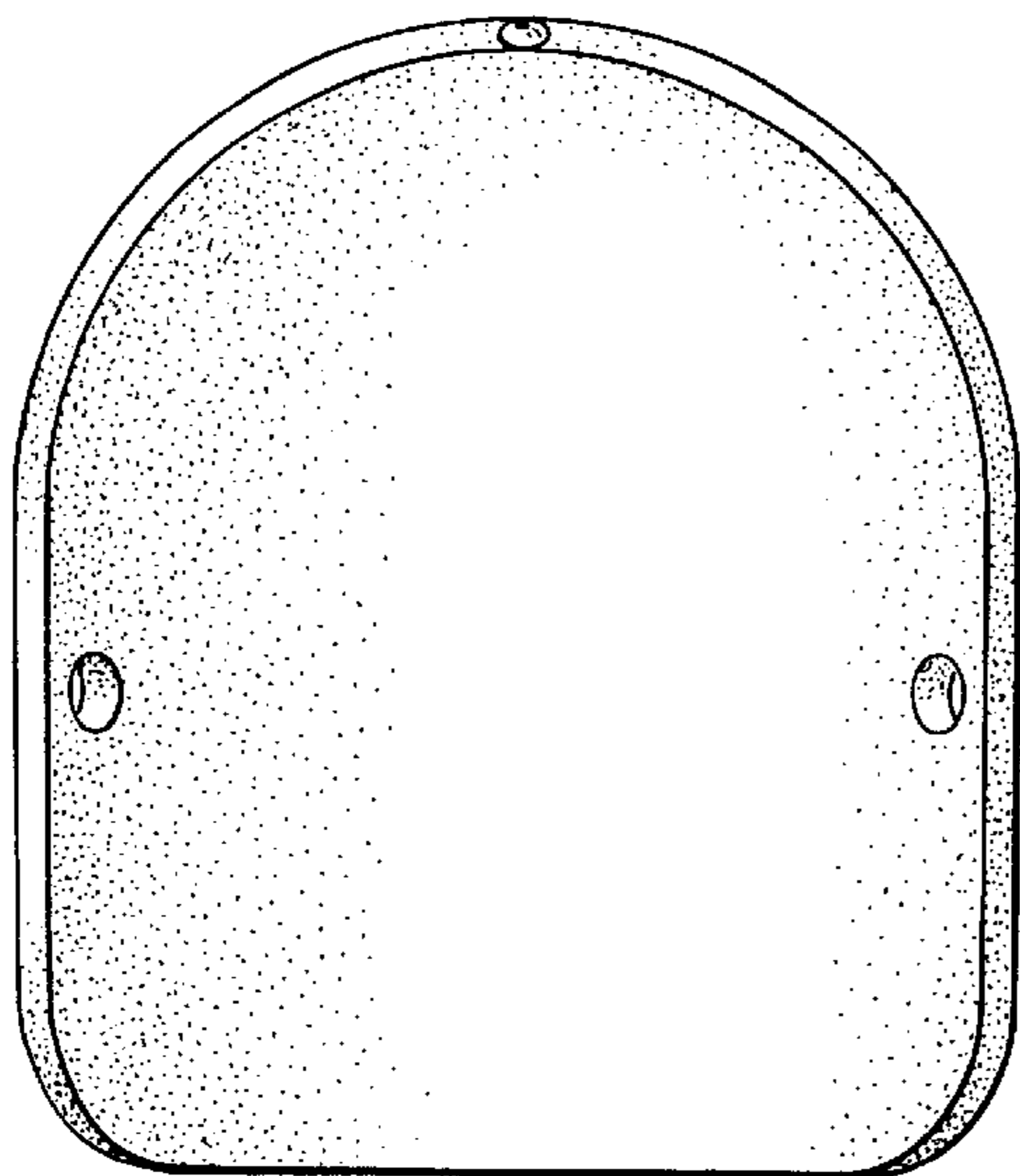


FIG. 6

