



US00D459825S

(12) **United States Design Patent**
Field

(10) **Patent No.:** **US D459,825 S**

(45) **Date of Patent:** **** Jul. 2, 2002**

(54) **POOL TABLE LIGHT**

(76) **Inventor:** **Peter M. Field**, 4295 S. Arville St., Las Vegas, NV (US) 89103

(**) **Term:** **14 Years**

(21) **Appl. No.:** **29/139,748**

(22) **Filed:** **Apr. 4, 2001**

(51) **LOC (7) Cl.** **26-03**

(52) **U.S. Cl.** **D26/80; D26/84; D26/90**

(58) **Field of Search** **D26/72-92; 362/217-223, 362/147, 404-408, 432, 362**

(56) **References Cited**

U.S. PATENT DOCUMENTS

- D119,792 S * 4/1940 Pieper
- D133,214 S * 7/1942 Ohm
- 2,310,509 A * 2/1943 Brandt
- 3,272,978 A * 9/1966 Jackson
- 3,917,264 A * 11/1975 Davidson et al. 362/84 X

* cited by examiner

Primary Examiner—Alan P. Douglas

Assistant Examiner—Clare E. Heflin

(74) *Attorney, Agent, or Firm*—John Edward Roethel

(57) **CLAIM**

The ornamental design for a pool table light, as shown and described.

DESCRIPTION

FIG. 1 is an isometric view of the pool table light showing my new design;

FIG. 2 is a front elevational view thereof;

FIG. 3 is a rear elevational view thereof;

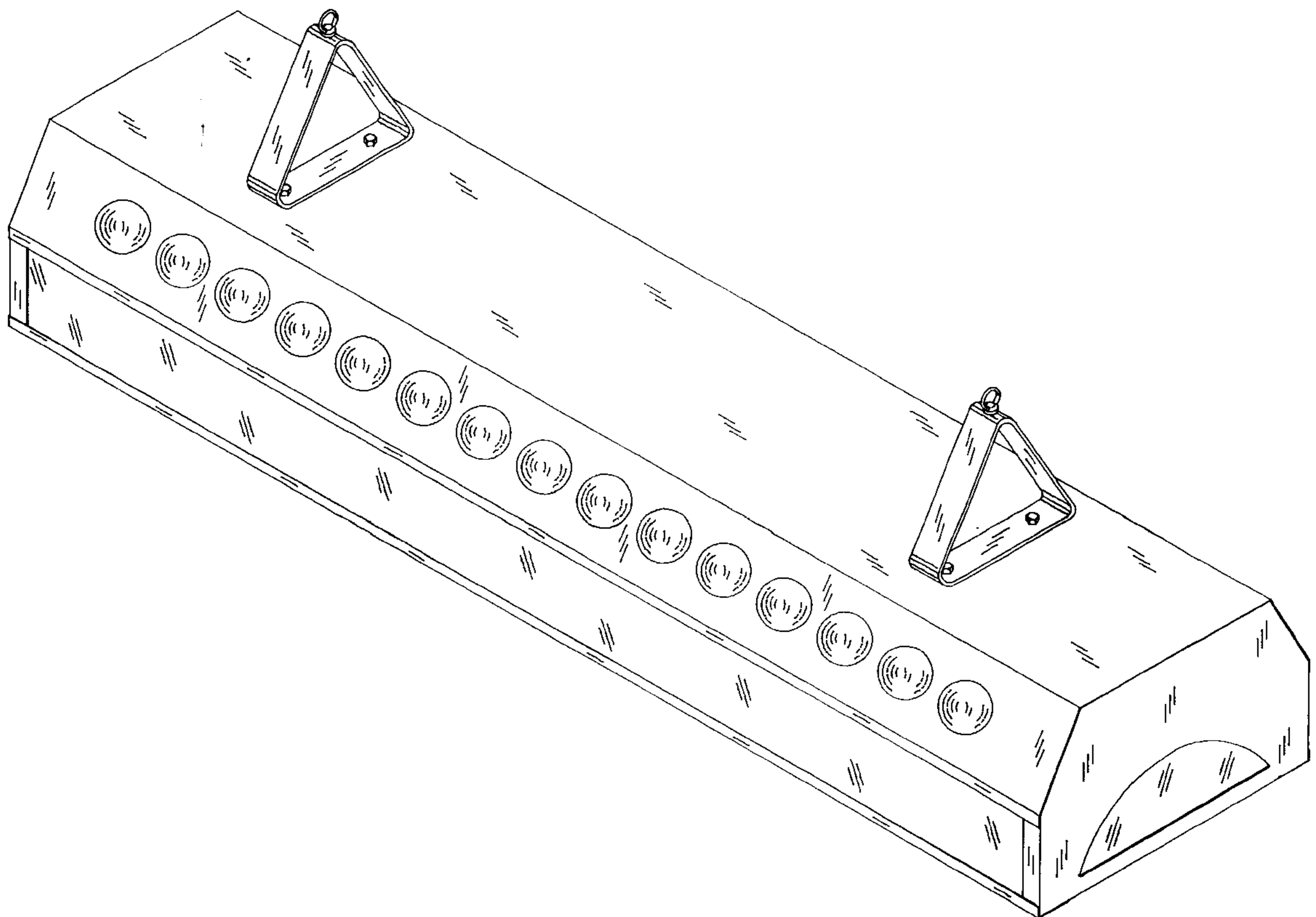
FIG. 4 is a top plan view thereof;

FIG. 5 is a bottom plan view thereof;

FIG. 6 is an enlarged left elevational view thereof; and,

FIG. 7 is an enlarged right elevational view thereof.

1 Claim, 5 Drawing Sheets



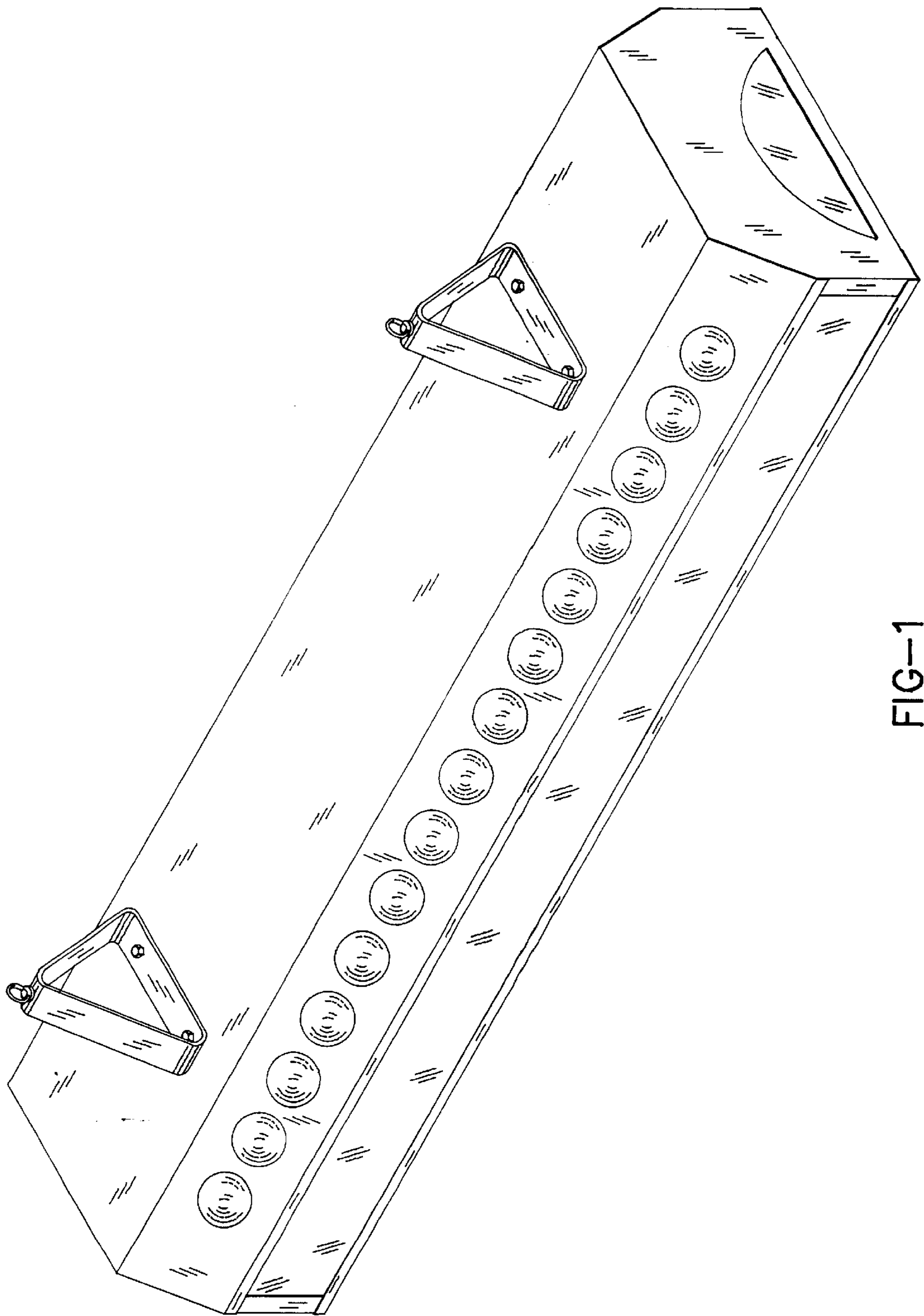


FIG-1

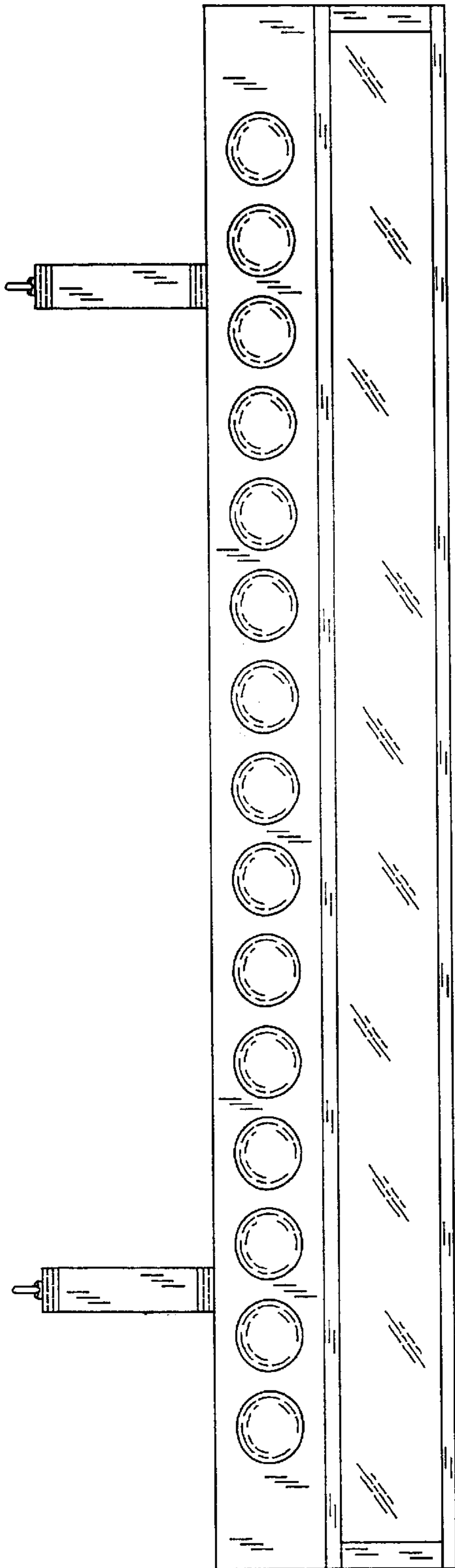


FIG-2

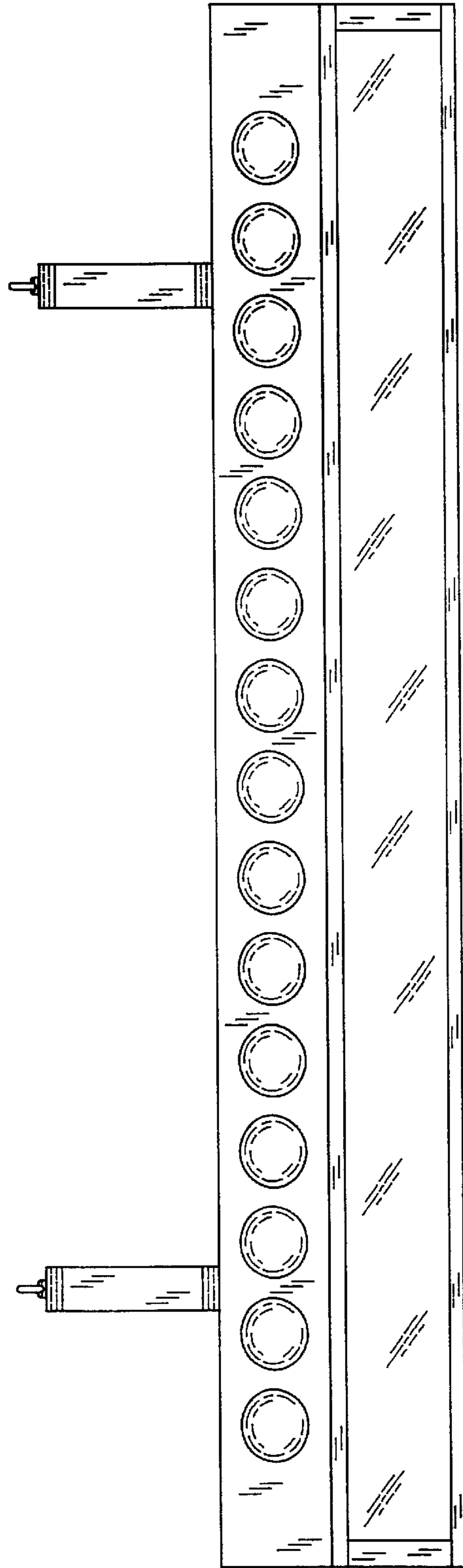


FIG-3

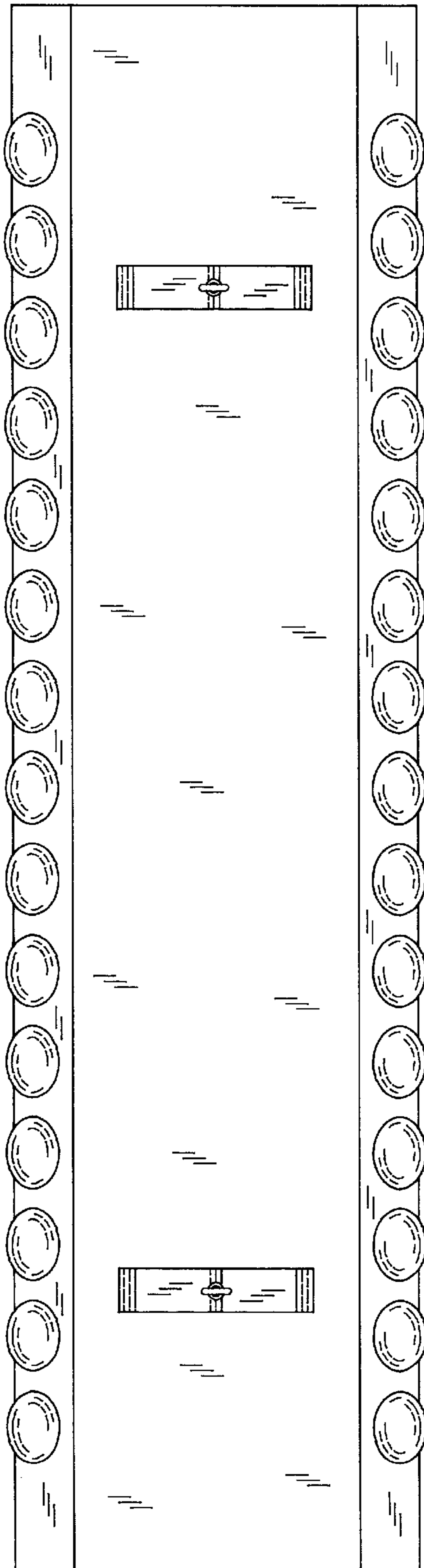


FIG-4

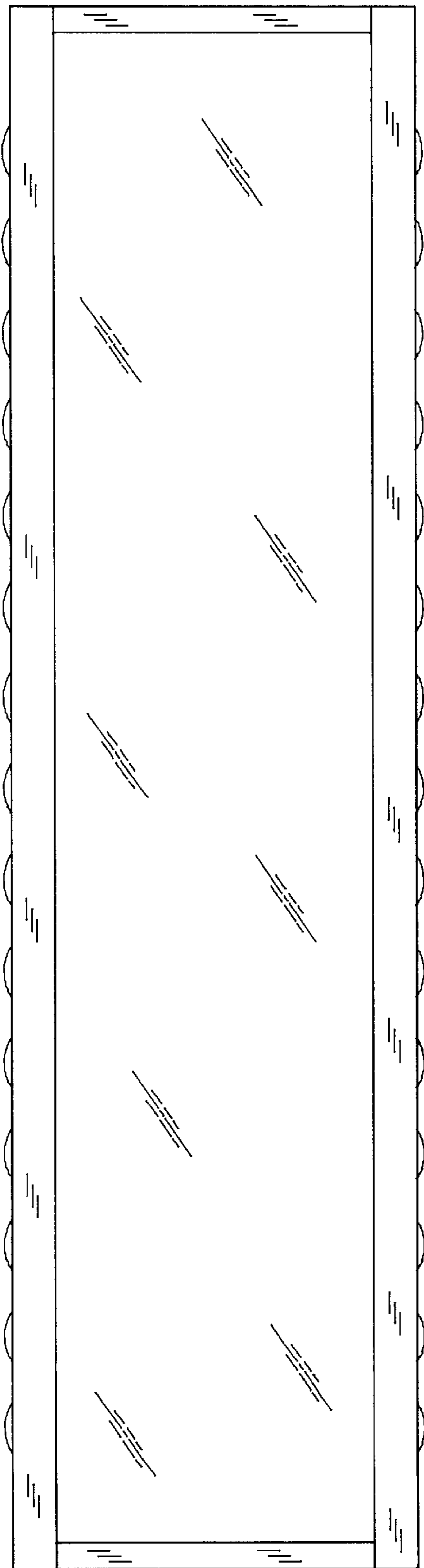


FIG-5

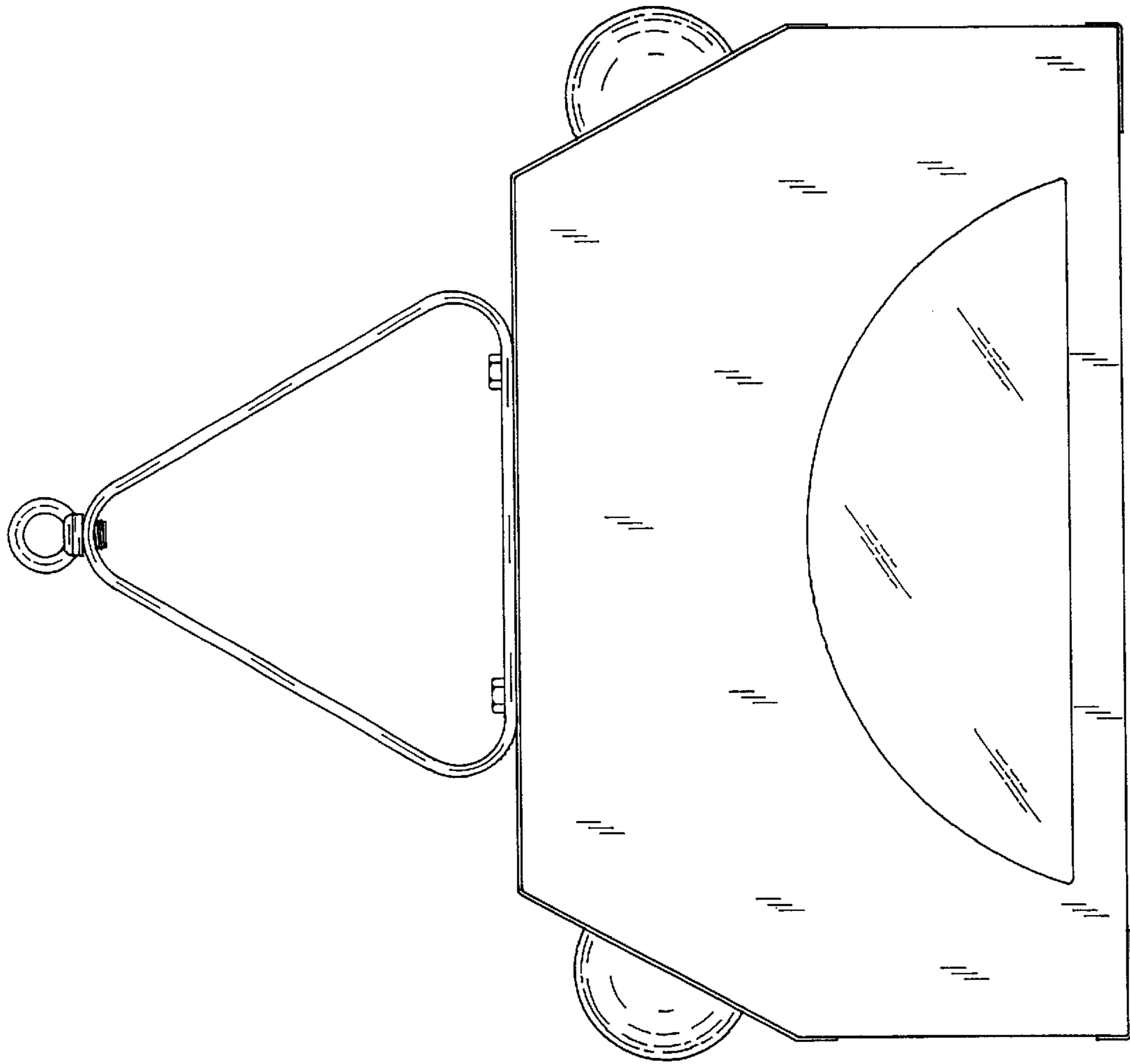


FIG-6

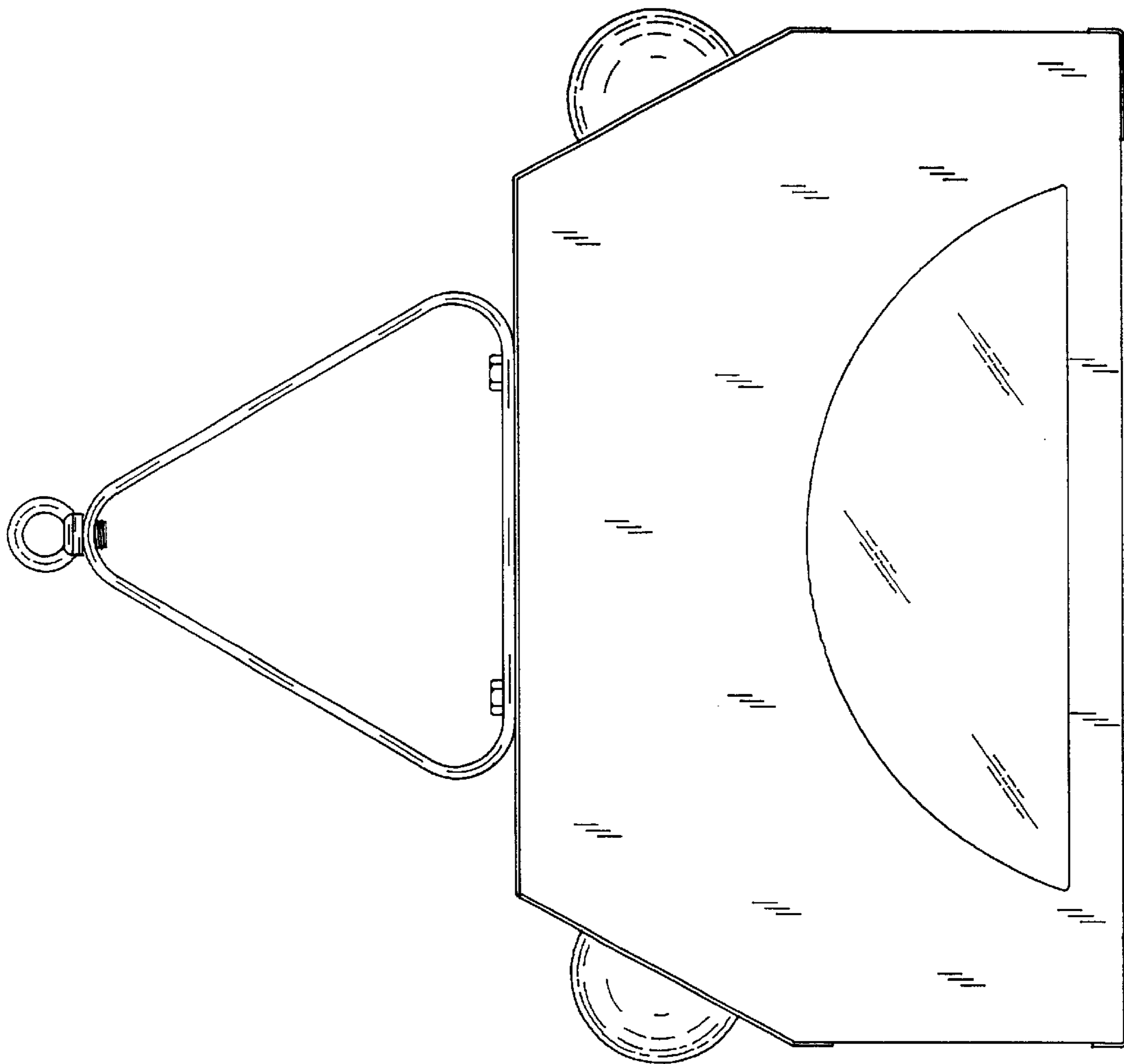


FIG-7