



US00D459824S

(12) **United States Design Patent**
Leen

(10) **Patent No.:** **US D459,824 S**

(45) **Date of Patent:** **** Jul. 2, 2002**

(54) **PETAL-SHAPED LIGHT FIXTURE**

(76) Inventor: **Monte A. Leen**, 11730 NE. 12th St.,
Bellevue, WA (US) 98005

(**) Term: **14 Years**

(21) Appl. No.: **29/137,268**

(22) Filed: **Feb. 15, 2001**

(51) **LOC (7) Cl.** **26-03**

(52) **U.S. Cl.** **D26/73; D26/85**

(58) **Field of Search** D26/72-74, 80-92,
D26/127, 125; 362/147, 432, 363, 367,
368, 806

(56) **References Cited**

U.S. PATENT DOCUMENTS

404,540 A * 6/1889 Hohenstein 362/808
D84,104 S * 5/1931 Rithner
D418,628 S * 1/2000 Kay D26/127

OTHER PUBLICATIONS

Corbett Wall Sconce lighting brochure (c)1994, items 8361,
8363 & 8364.*

Kiehler Catalog (c)1998 p. 267, items K-15044, K-15045 &
K-15049.*

* cited by examiner

Primary Examiner—Alan P. Douglas
Assistant Examiner—Clare E. Heflin
(74) *Attorney, Agent, or Firm*—Dean A. Craine

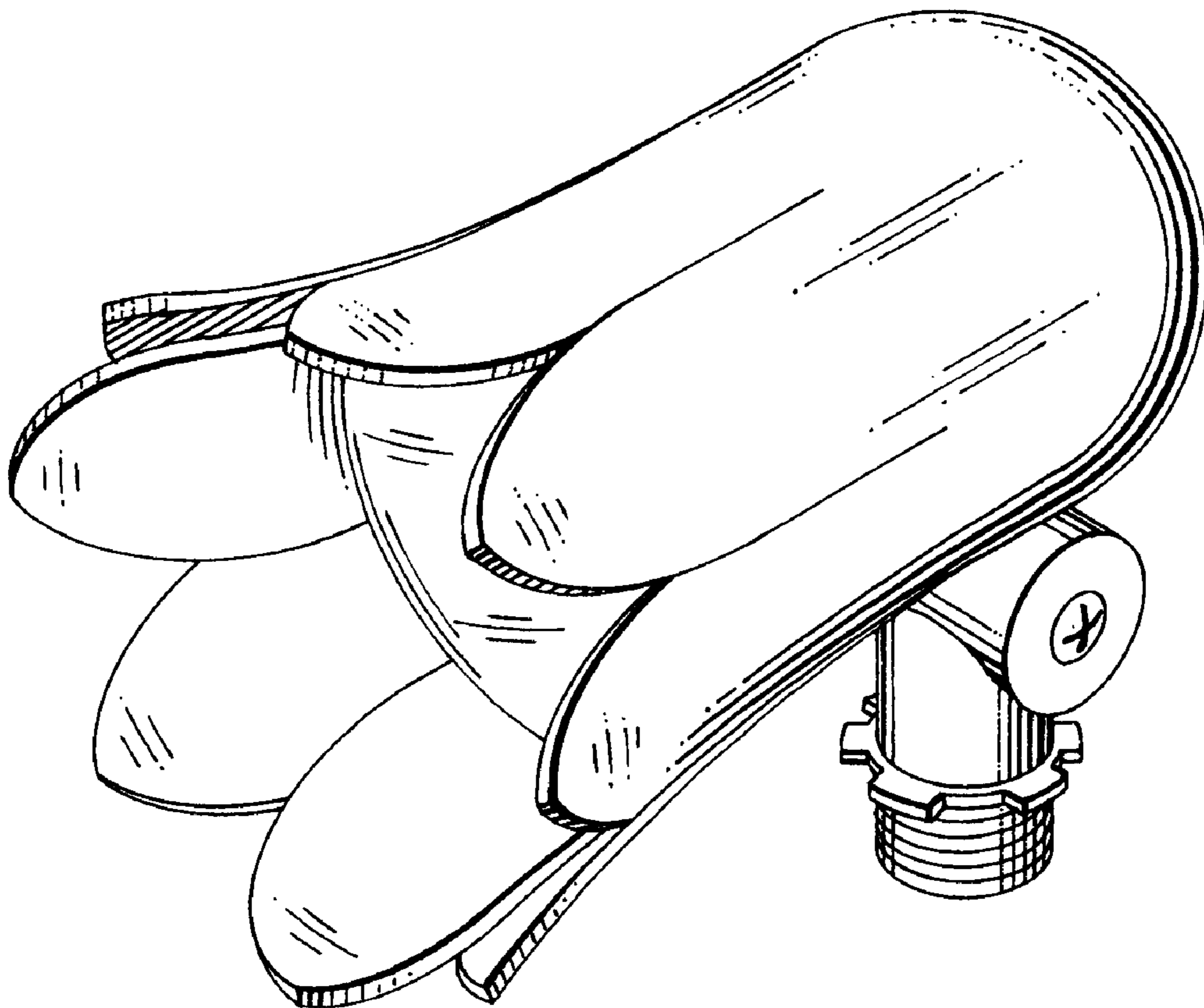
(57) **CLAIM**

The ornamental design for a petal-shaped light fixture, as
shown and described.

DESCRIPTION

FIG. 1 is a perspective view of the petal-shaped light fixture.
FIG. 2 is a top plan view of the invention.
FIG. 3 is a bottom plan view of the invention.
FIG. 4 is a right side elevation view of the invention.
FIG. 5 is a left side elevation view of the invention.
FIG. 6 is a front plan view of the invention; and,
FIG. 7 is a rear plan view of the invention.

1 Claim, 2 Drawing Sheets



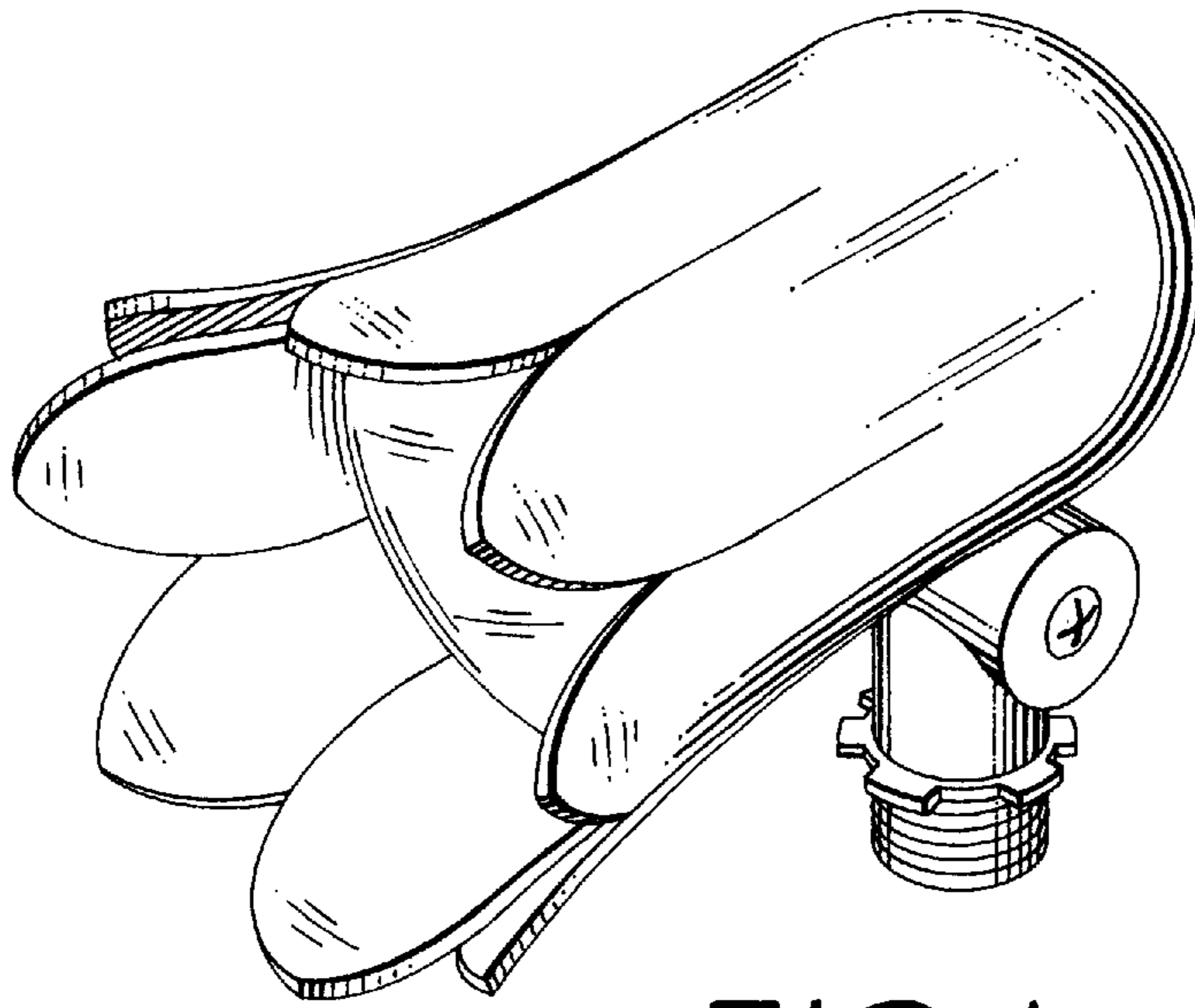


FIG. 1

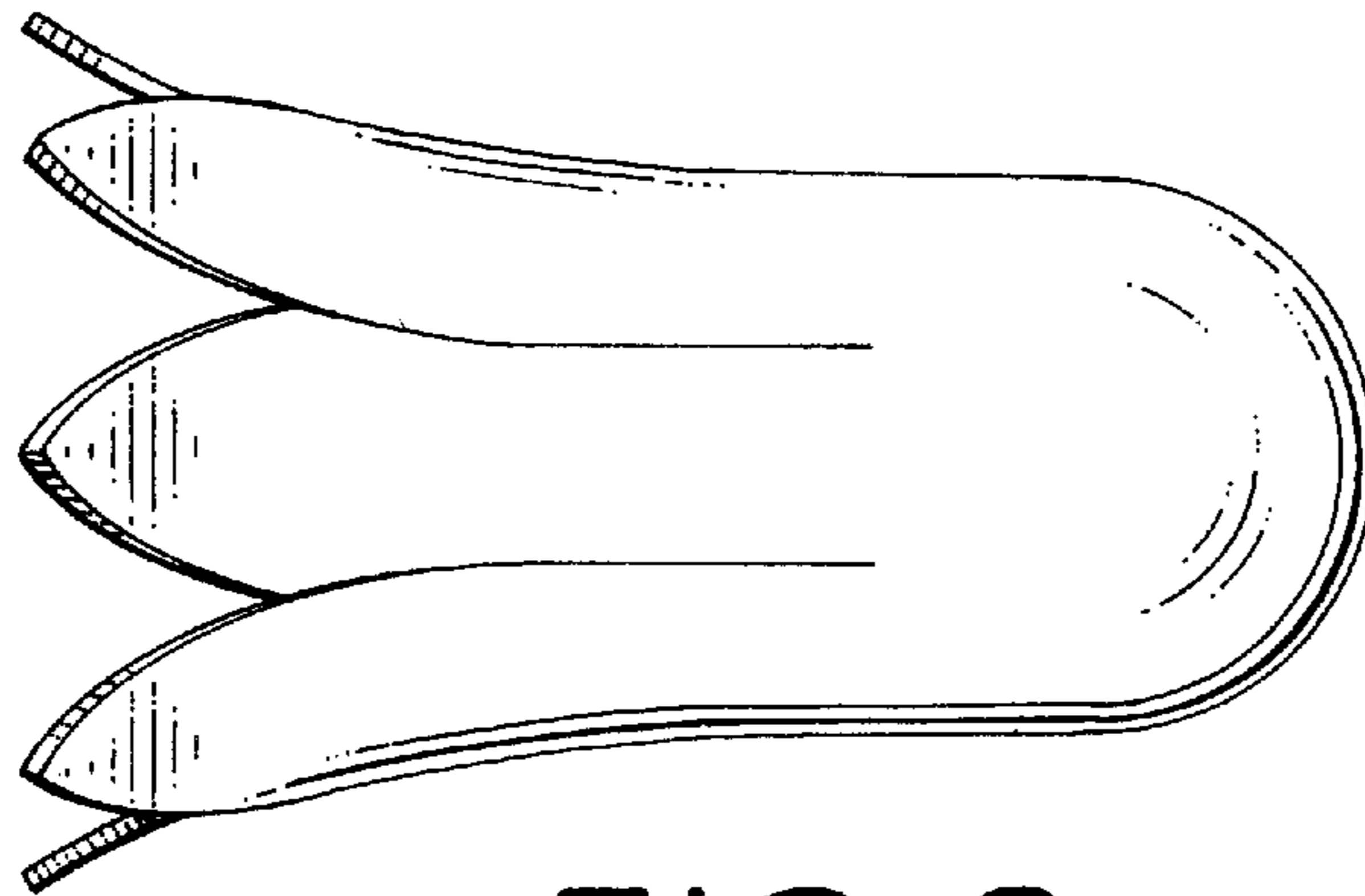


FIG. 2

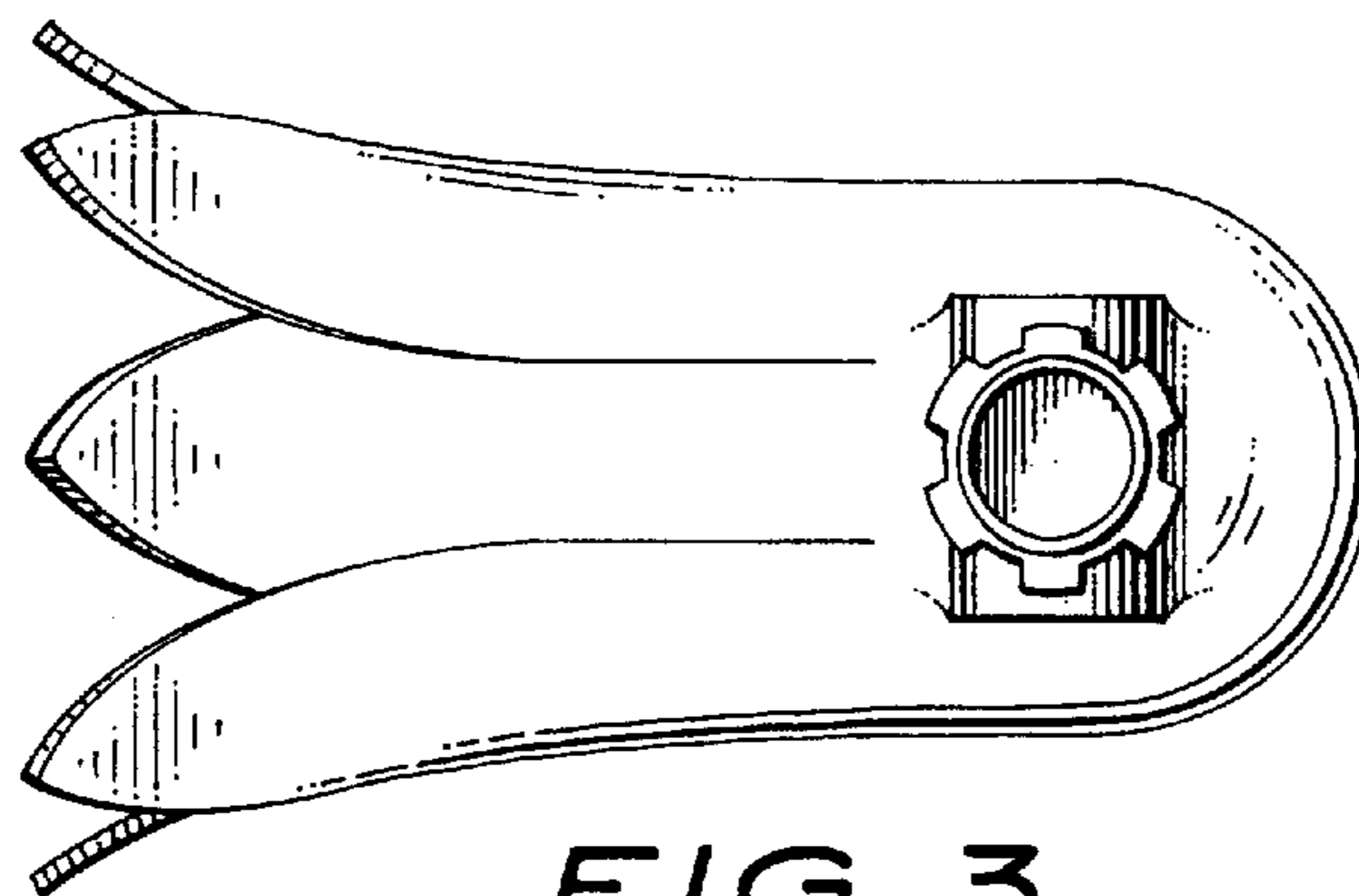


FIG. 3

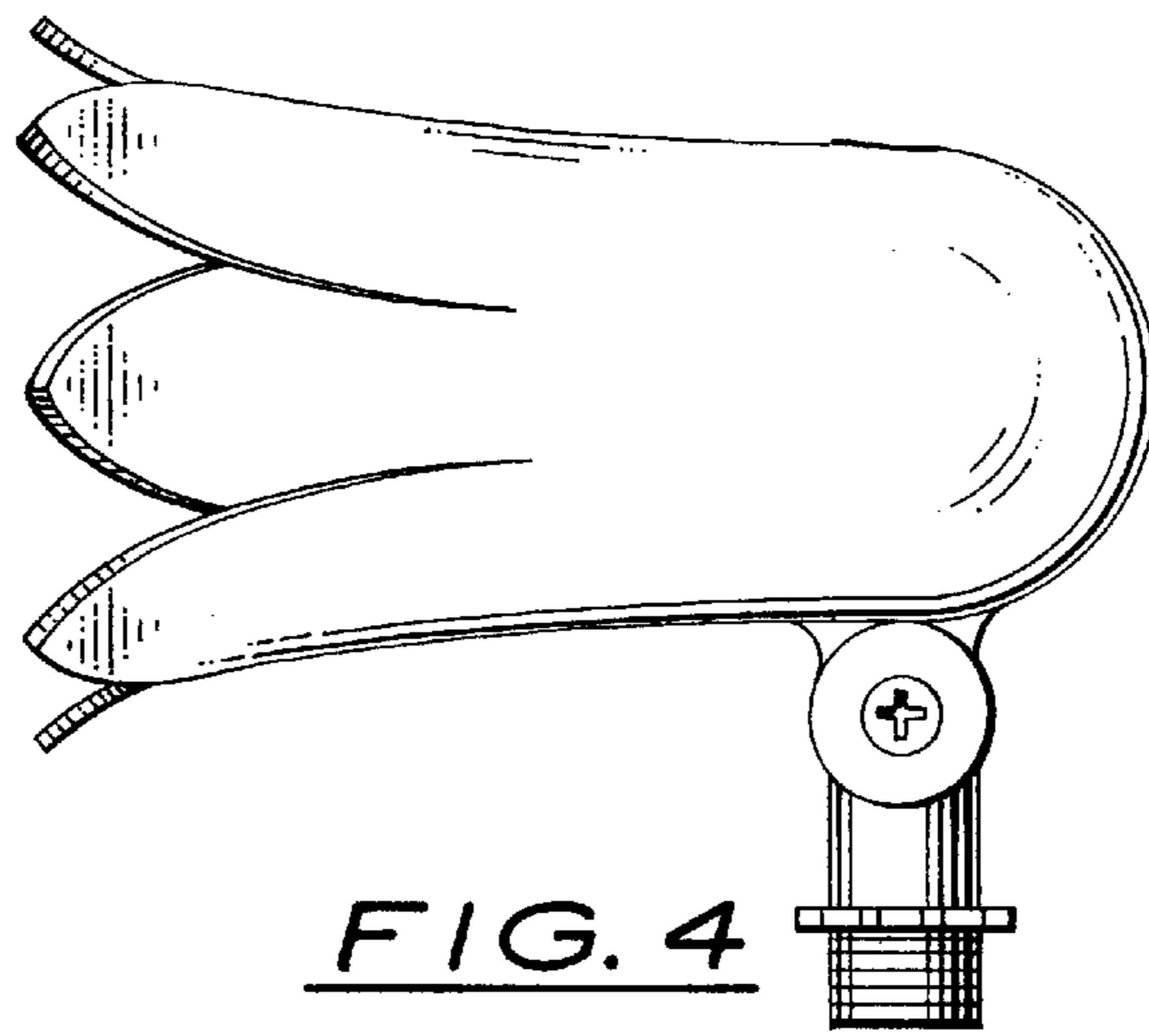


FIG. 4

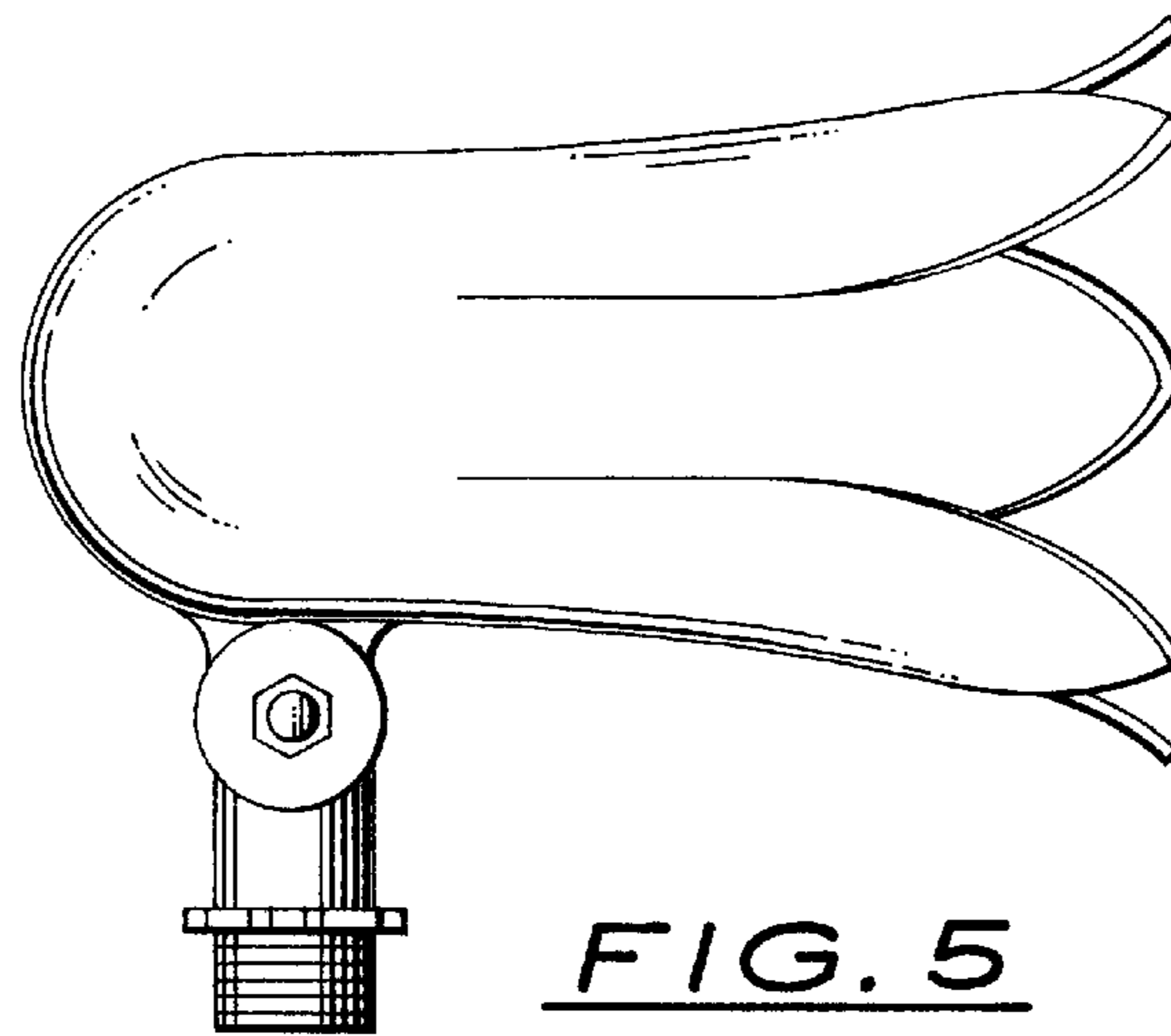


FIG. 5

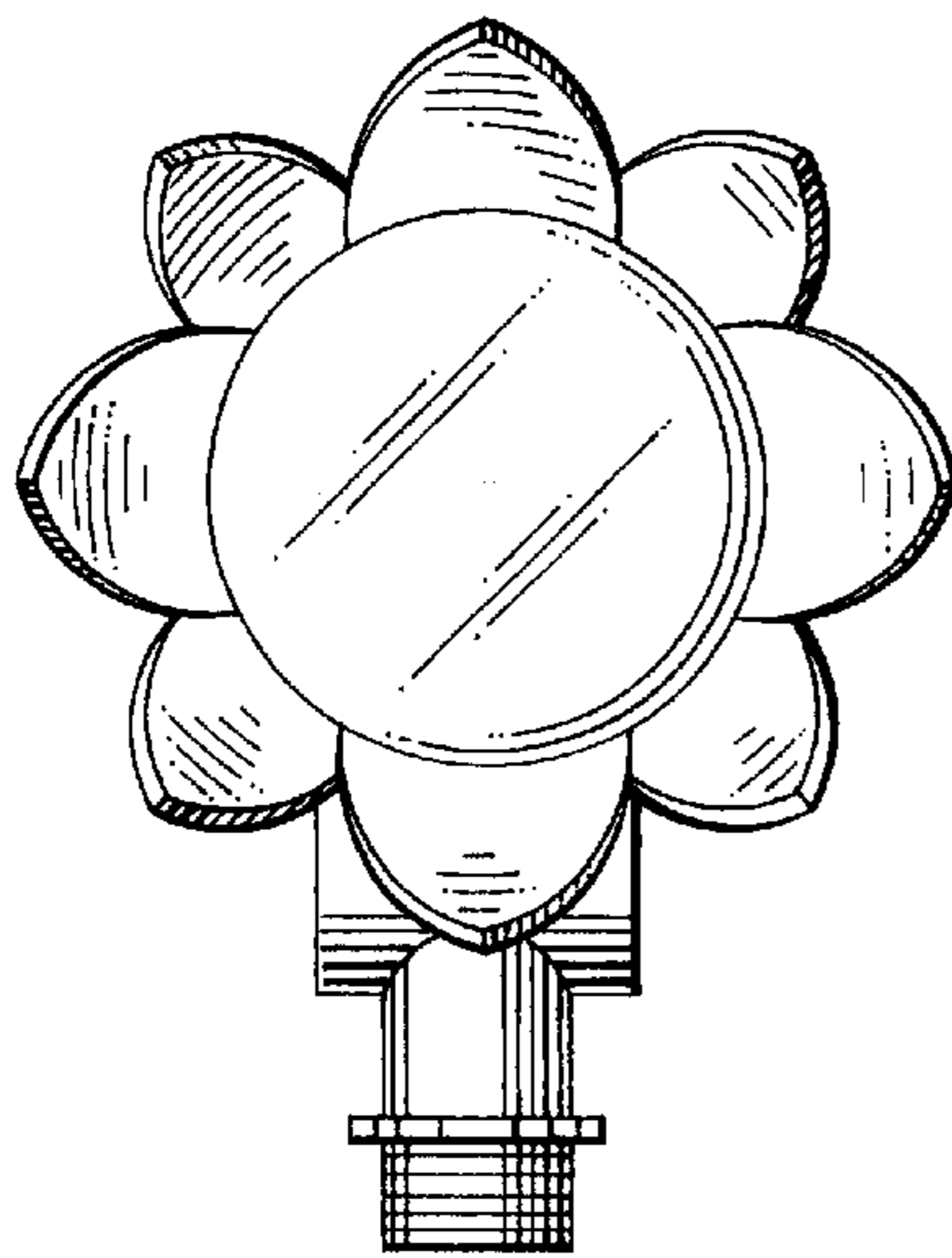


FIG. 6

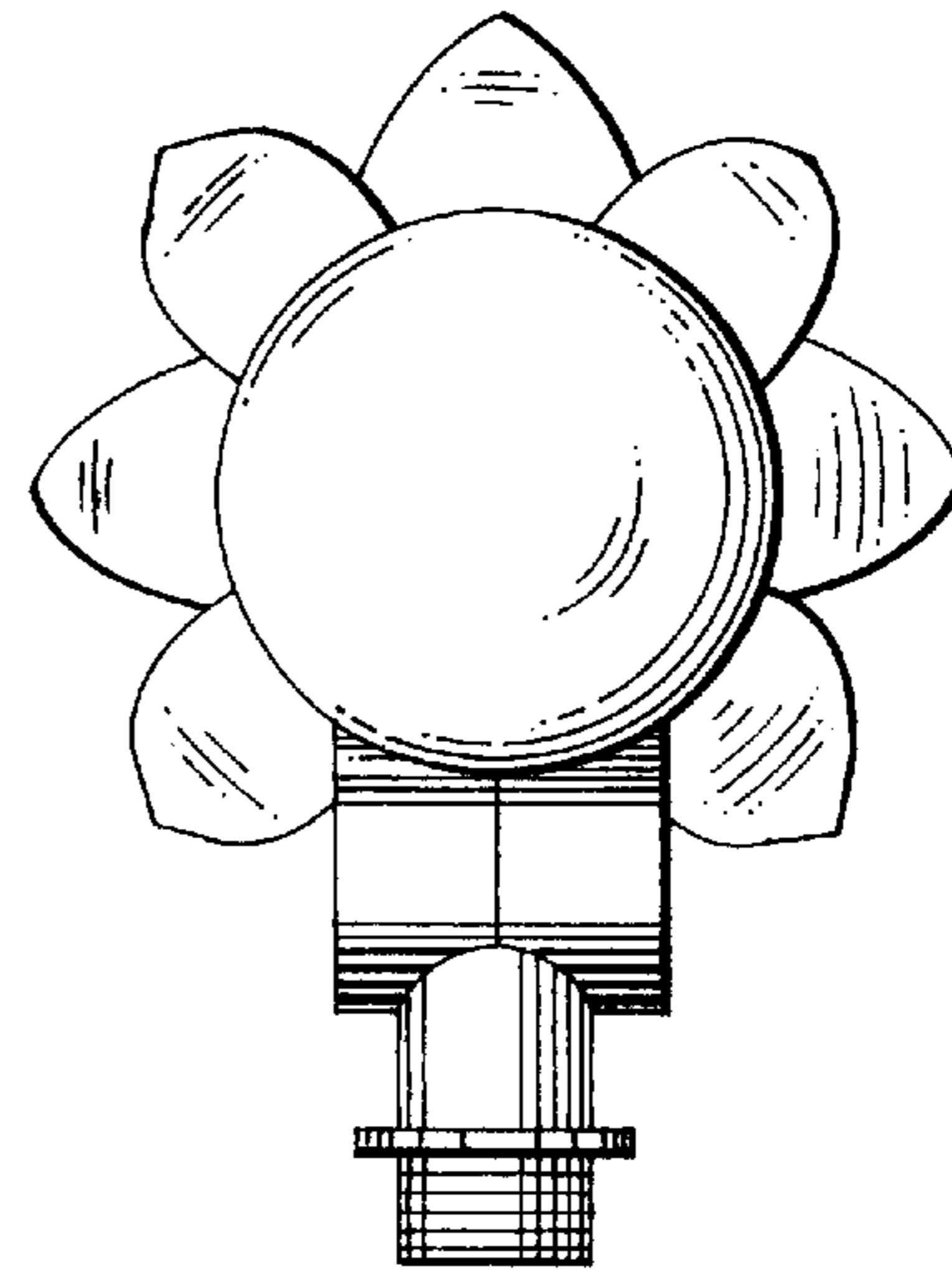


FIG. 7