



US00D459823S

(12) **United States Design Patent**  
**Kolbe**

(10) **Patent No.:** **US D459,823 S**

(45) **Date of Patent:** **\*\* Jul. 2, 2002**

(54) **ELECTRIC LIGHT**

2,987,718 A \* 6/1961 Davis ..... D26/37  
D417,024 S \* 11/1999 Stuyfzand ..... D26/63

(75) Inventor: **Siegfried Kolbe**, Berlin (DE)

\* cited by examiner

(73) Assignee: **Hoffmeister Leuchten GmbH**,  
Ludenscheid (DE)

*Primary Examiner*—Alan P. Douglas  
*Assistant Examiner*—Clare E. Heflin  
(74) *Attorney, Agent, or Firm*—Herbert Dubno

(\*\*) Term: **14 Years**

(21) Appl. No.: **29/128,317**

(57) **CLAIM**

(22) Filed: **Aug. 22, 2000**

The ornamental design for an electric light, as shown and described.

(30) **Foreign Application Priority Data**

**DESCRIPTION**

Feb. 29, 2000 (DE) ..... 4 00 02 083

(51) **LOC (7) Cl.** ..... **26-05**

FIG. 1 is a left side perspective view of an electric light showing my new design;

(52) **U.S. Cl.** ..... **D26/63**

FIG. 2 is a right side perspective view thereof;

(58) **Field of Search** ..... D26/37-50, 72,  
D26/61, 63; 362/157, 162, 171, 178, 187,  
189, 190, 191, 194, 195, 196, 198, 199,  
204, 203, 205, 206

FIG. 3 is a top plan view thereof;

FIG. 4 is a front view thereof;

FIG. 5 is a rear view thereof; and,

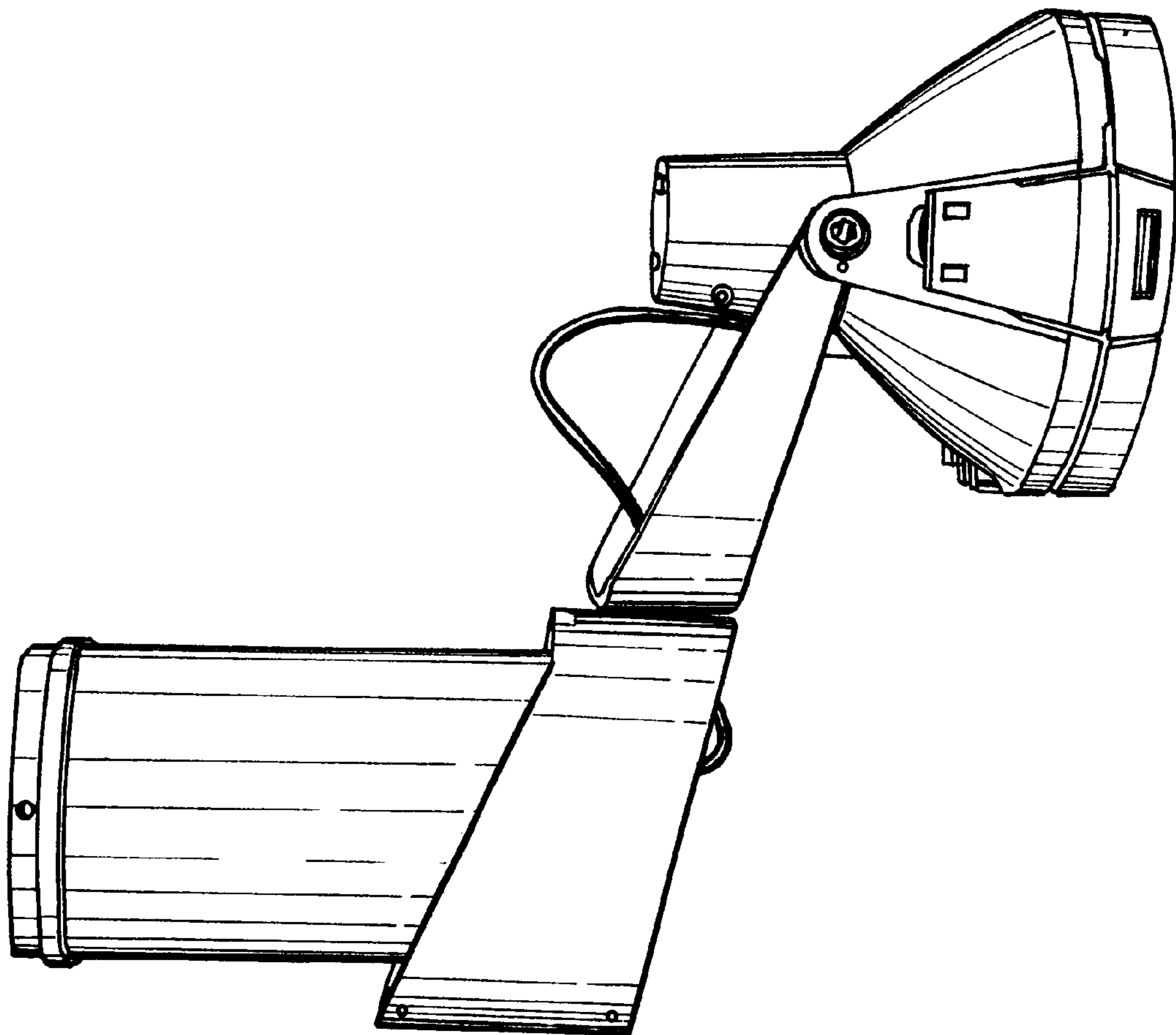
FIG. 6 is bottom view thereof.

(56) **References Cited**

**U.S. PATENT DOCUMENTS**

D190,137 S \* 4/1961 Kirkman ..... D26/37

**1 Claim, 5 Drawing Sheets**



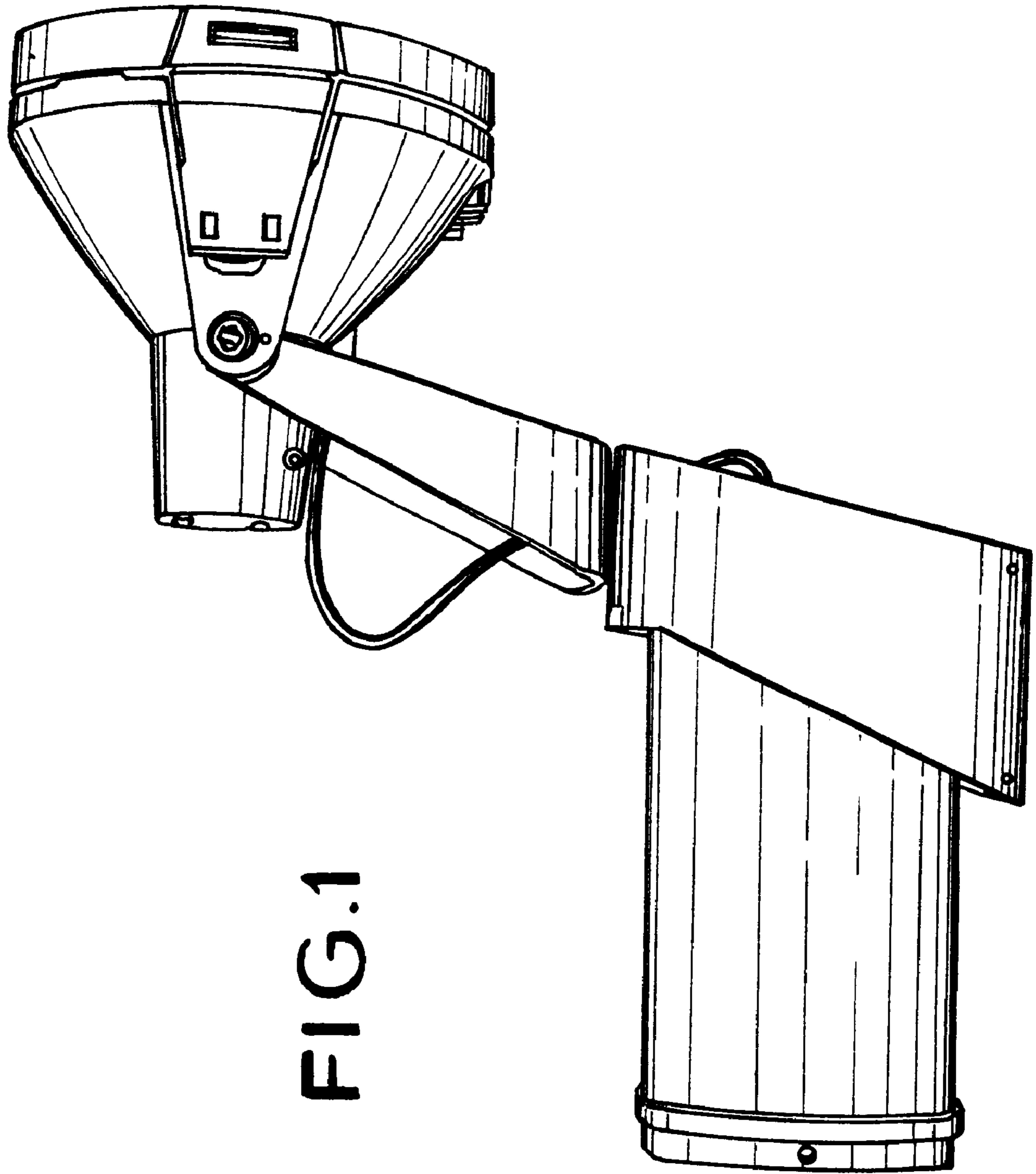
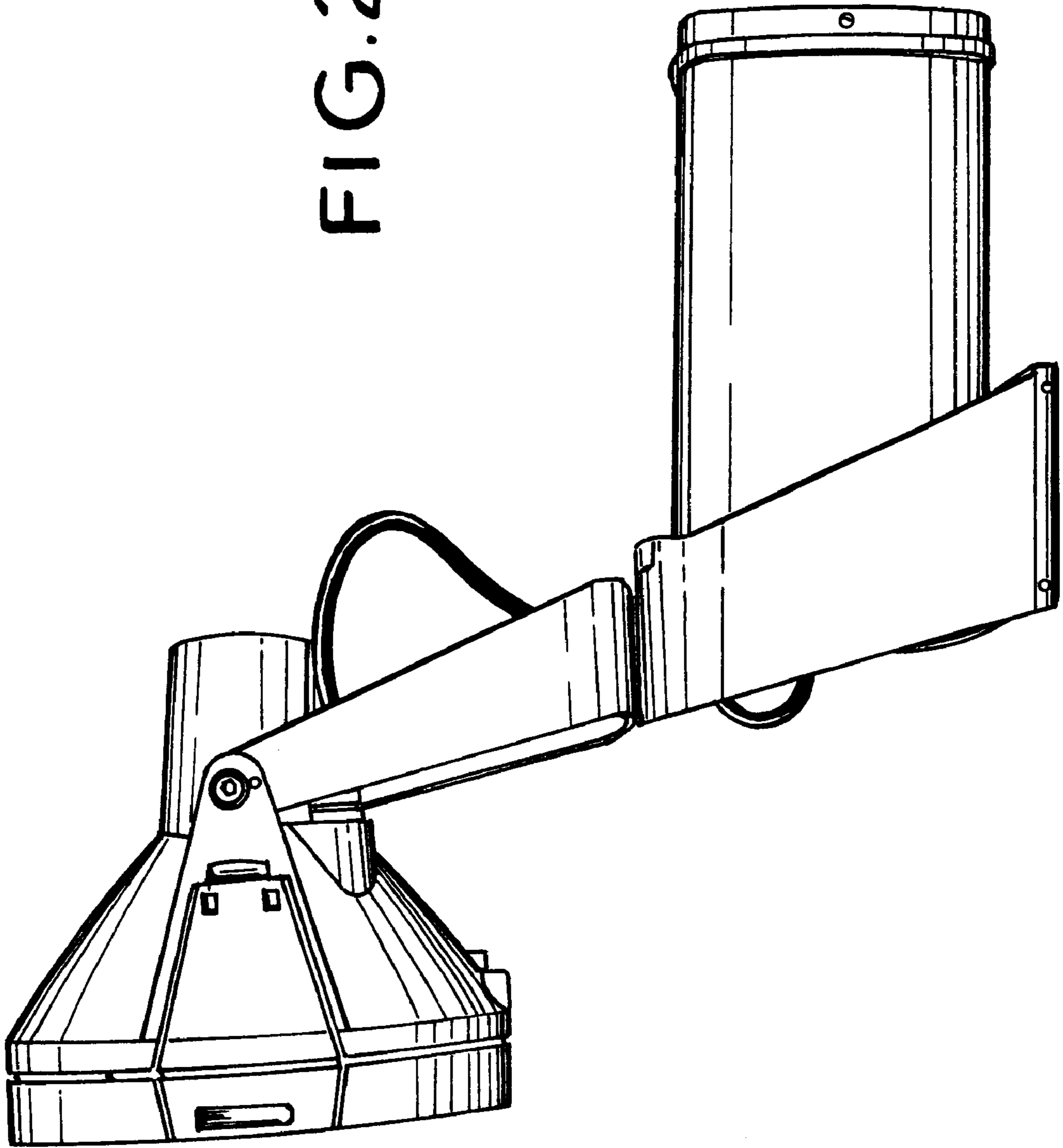


FIG.1

FIG. 2



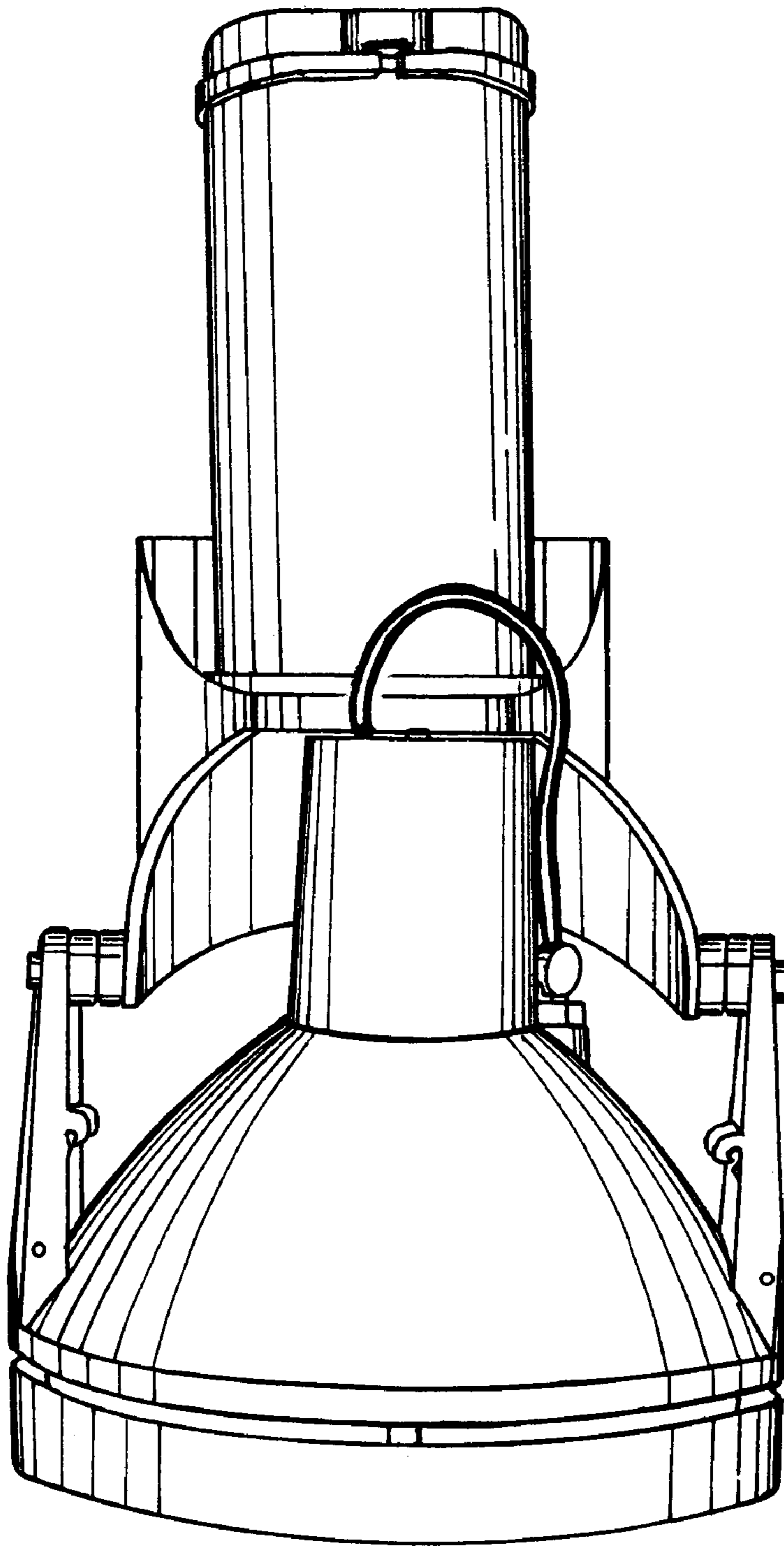


FIG. 3

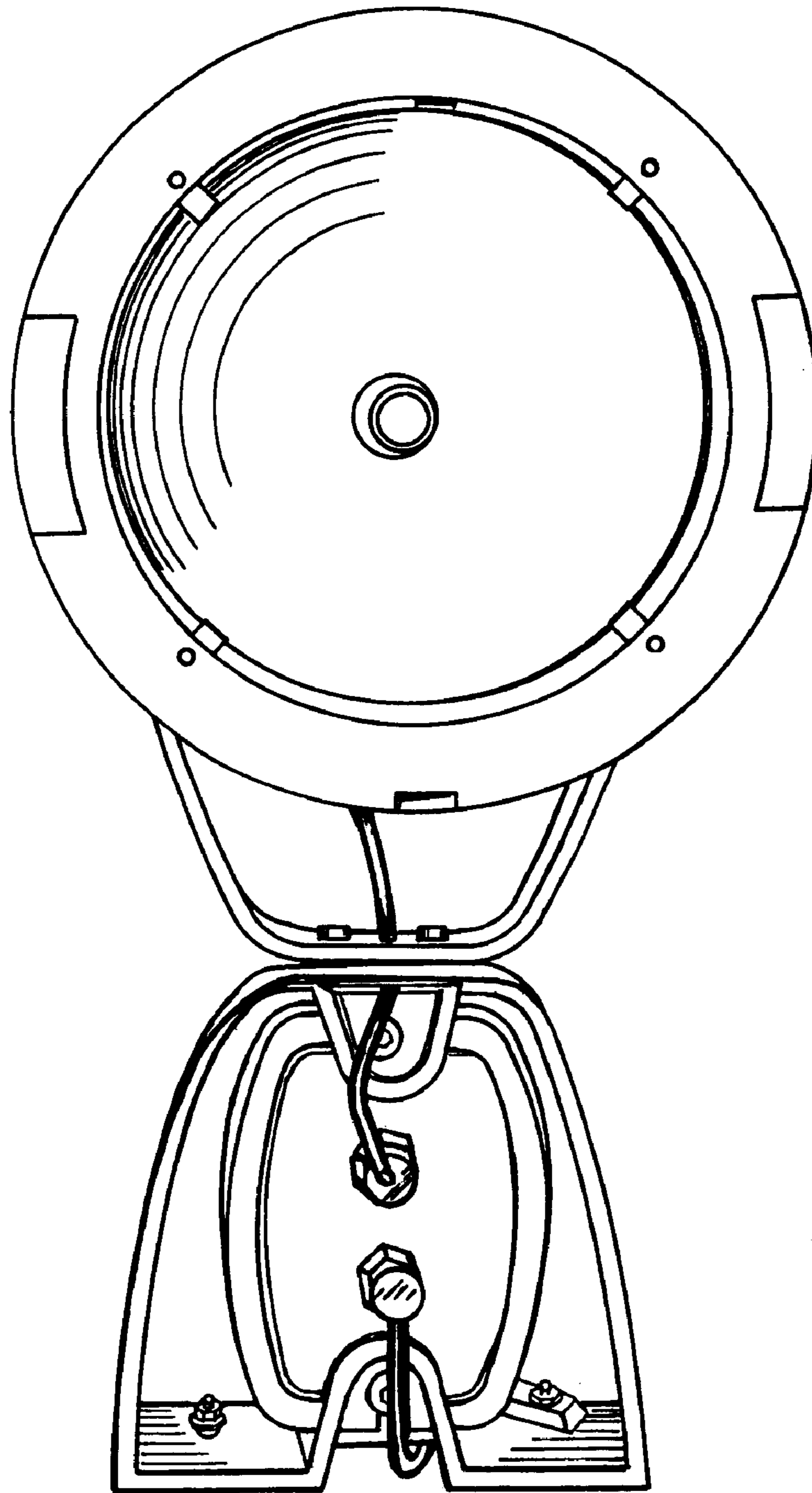


FIG. 4

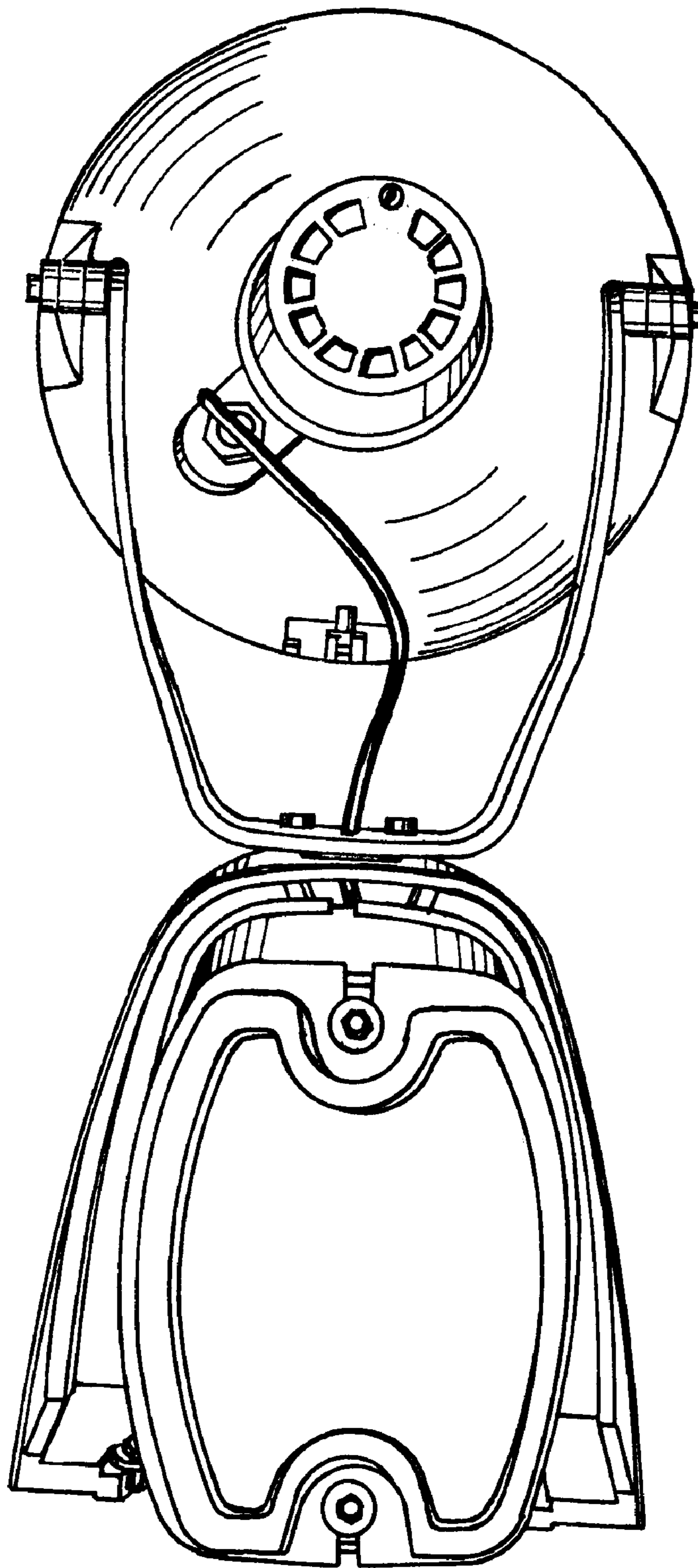


FIG.5