



US00D459822S

(12) **United States Design Patent**
Poon

(10) **Patent No.:** **US D459,822 S**

(45) **Date of Patent:** **** Jul. 2, 2002**

(54) **FLASHLIGHT**

(75) Inventor: **Tit Wing Poon, Shatin (CN)**

(73) Assignee: **Flying Dragon Development Ltd.,
Hong Kong (CN)**

(**) Term: **14 Years**

(21) Appl. No.: **29/148,011**

(22) Filed: **Sep. 13, 2001**

(30) **Foreign Application Priority Data**

Mar. 14, 2001 (HK) 0110376

(51) **LOC (7) Cl.** **26-02**

(52) **U.S. Cl.** **D26/48**

(58) **Field of Search** D26/37-50; 362/157,
362/158, 171, 172, 173, 181-208

(56) **References Cited**

U.S. PATENT DOCUMENTS

- D359,814 S * 6/1995 Yuen D26/48
- D360,043 S * 7/1995 Inukai D26/48
- D372,549 S * 8/1996 Lo D26/48
- D418,931 S * 1/2000 Poon D26/48

- D422,732 S * 4/2000 Kung D26/48
- D438,317 S * 2/2001 Yuen D26/48
- D446,326 S * 8/2001 Yuen D26/48

* cited by examiner

Primary Examiner—Marcus A. Jackson

(74) *Attorney, Agent, or Firm*—Alix, Yale & Ristas, LLP

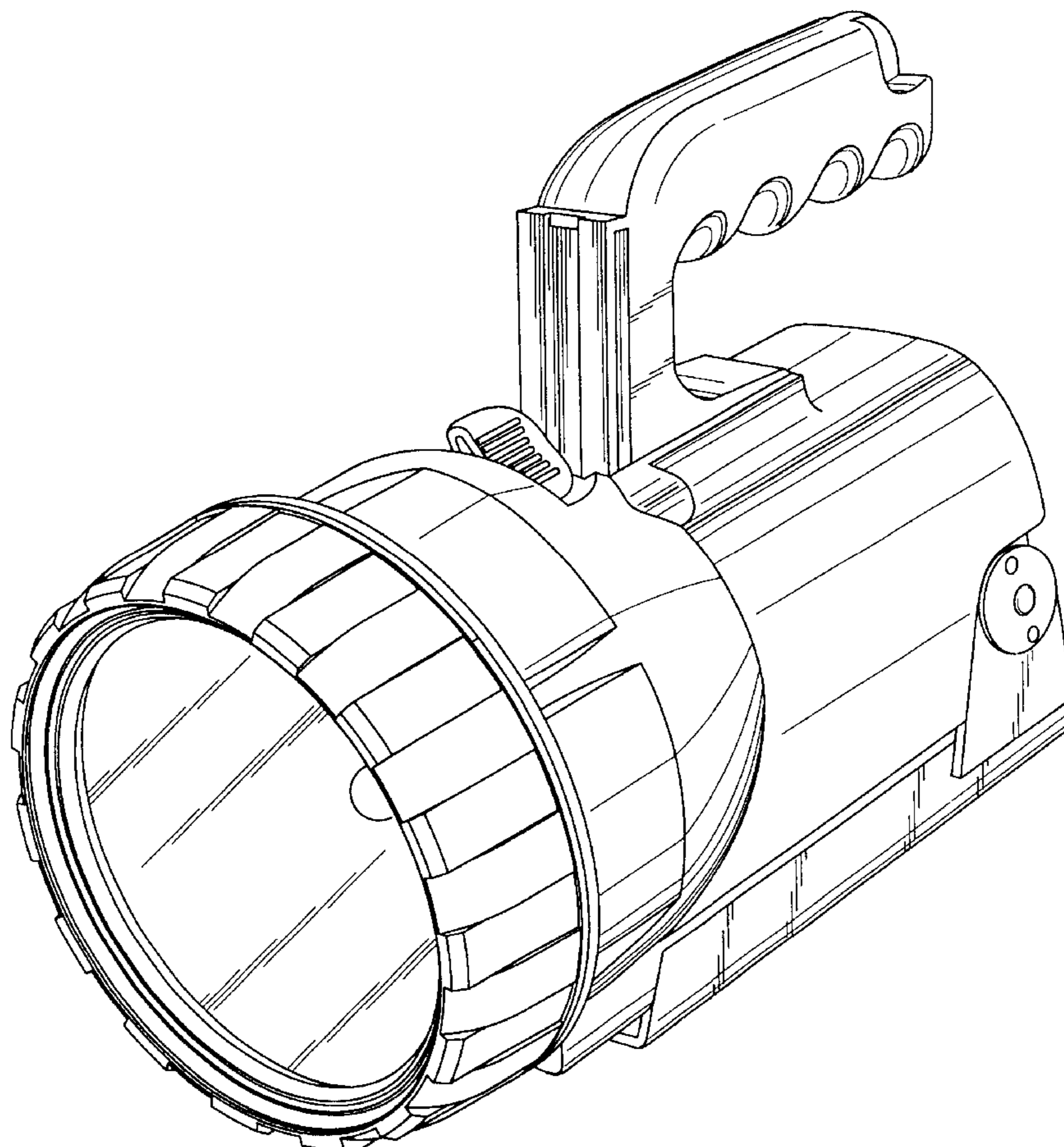
(57) **CLAIM**

The ornamental design for a flashlight, as shown and described.

DESCRIPTION

FIG. 1 is a front perspective view of the flashlight showing my new design;
 FIG. 2 is a front perspective view of the flashlight of FIG. 1 in a first modified position;
 FIG. 3 is a front perspective view of the flashlight of FIG. 1 in a second modified position;
 FIG. 4 is a right side view of the flashlight of FIG. 1;
 FIG. 5 is a left side view of the flashlight of FIG. 1;
 FIG. 6 is a front side view of the flashlight of FIG. 1;
 FIG. 7 is a rear side view of the flashlight of FIG. 1;
 FIG. 8 is a top plan view of the flashlight of FIG. 1; and,
 FIG. 9 is a bottom plan view of the flashlight of FIG. 1.

1 Claim, 8 Drawing Sheets



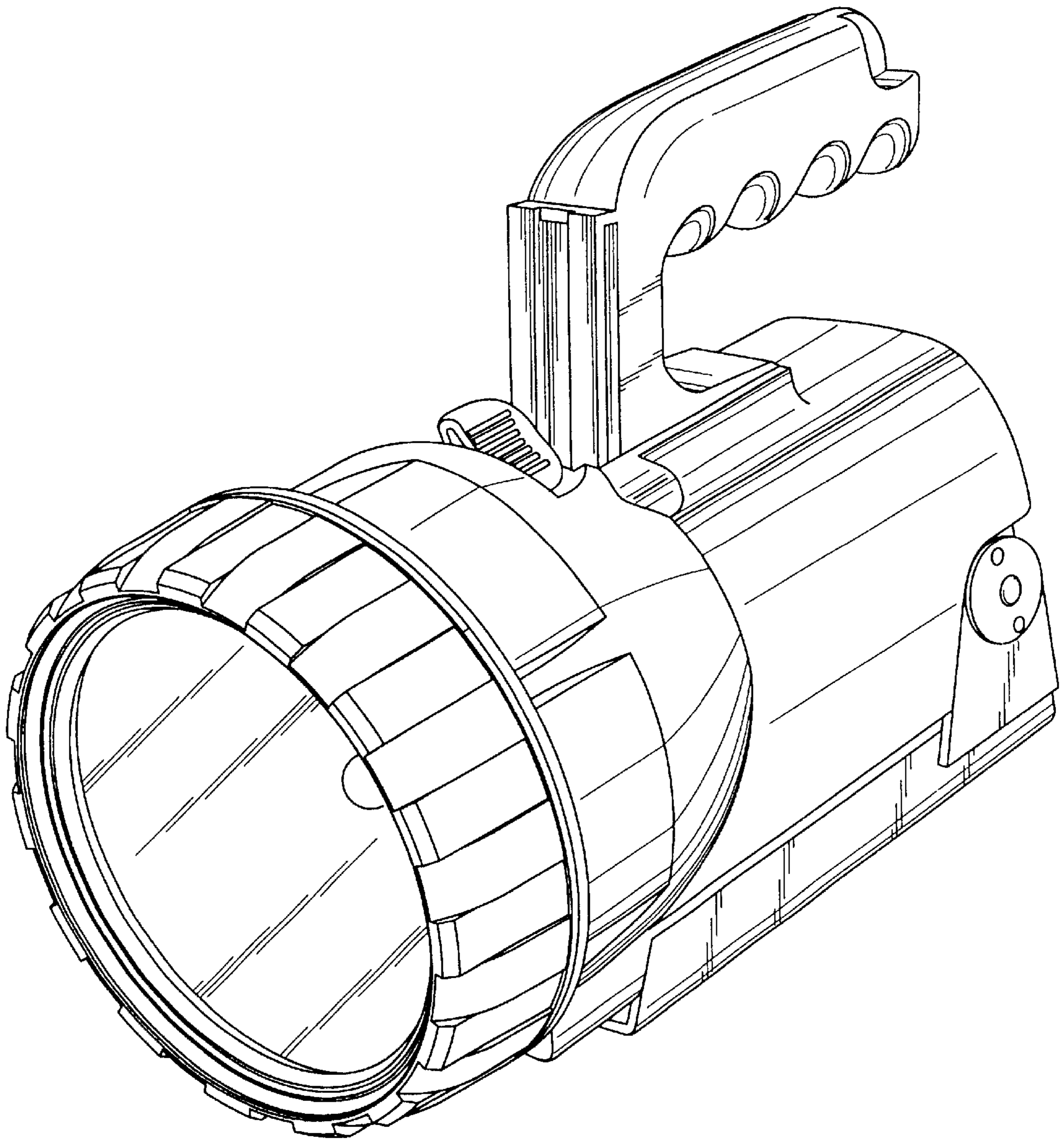


FIG. 1

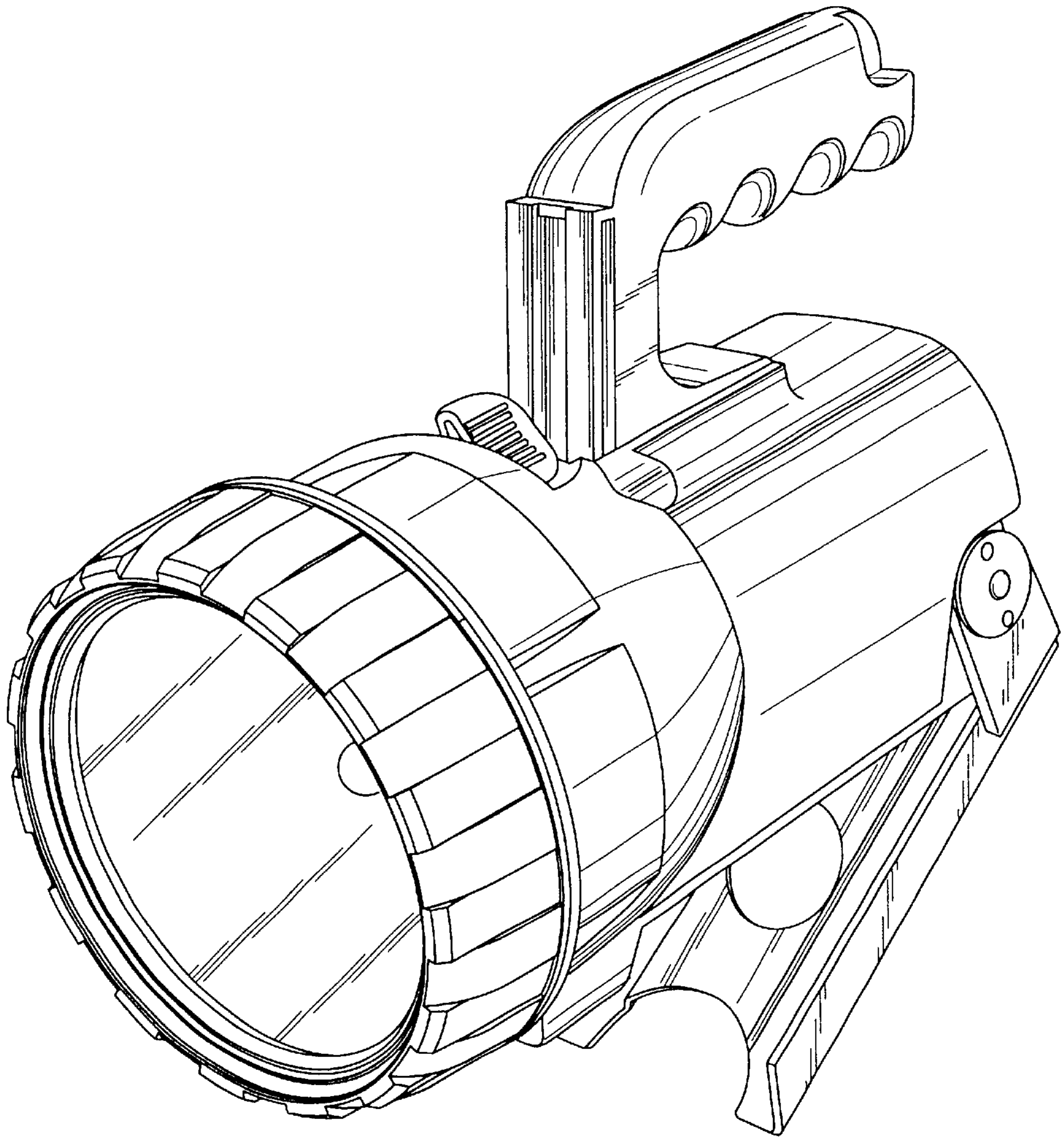


FIG. 2

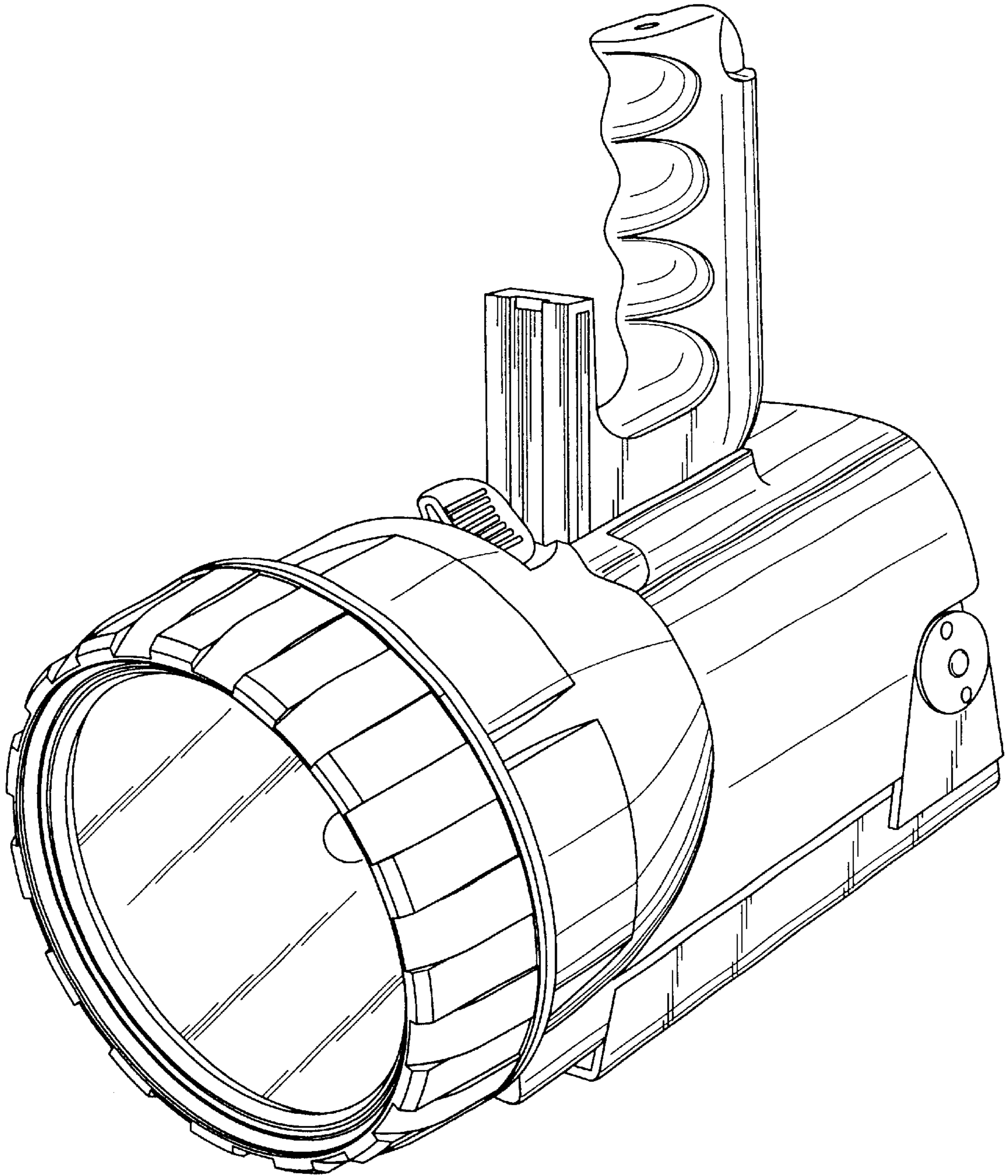


FIG. 3

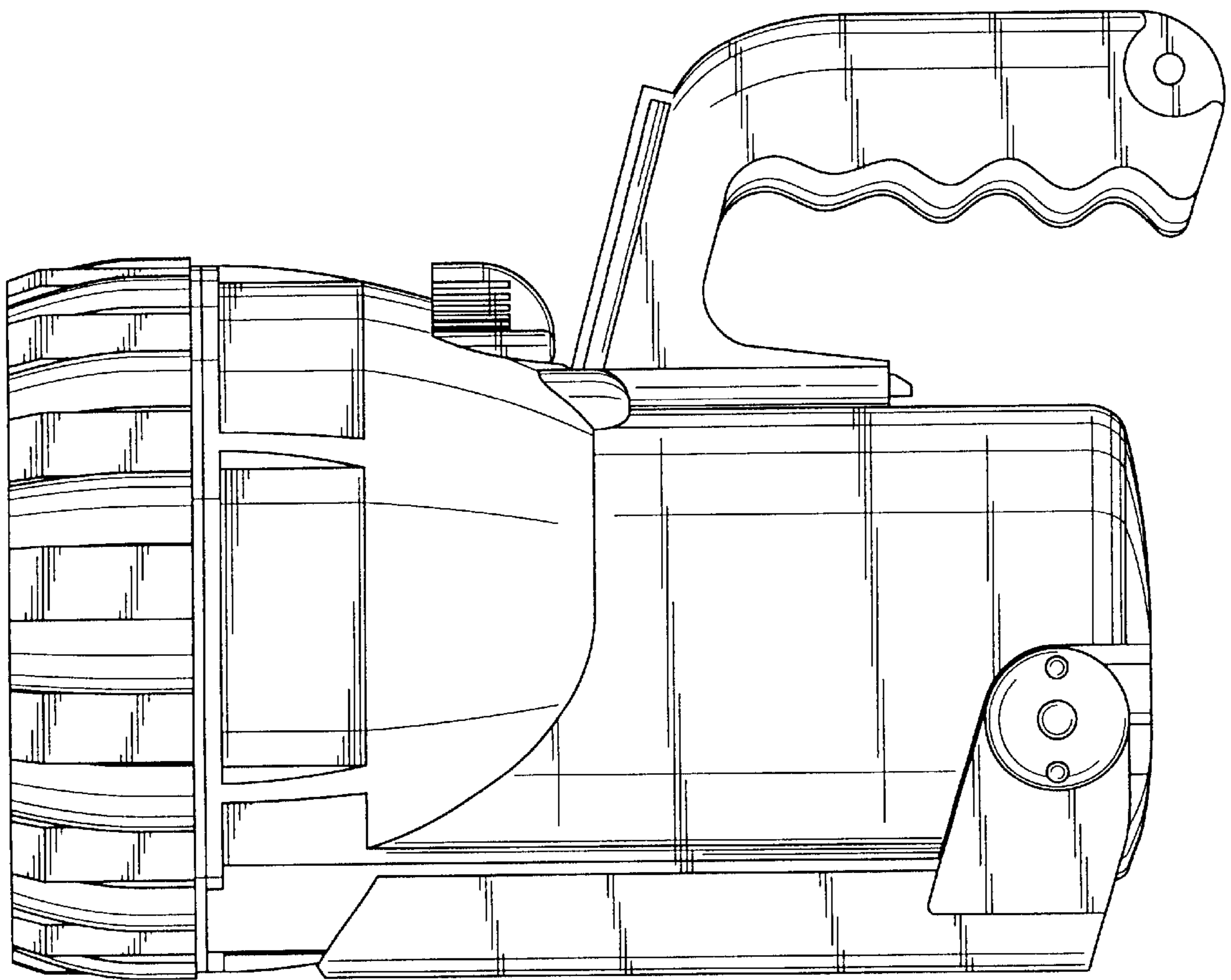


FIG. 4

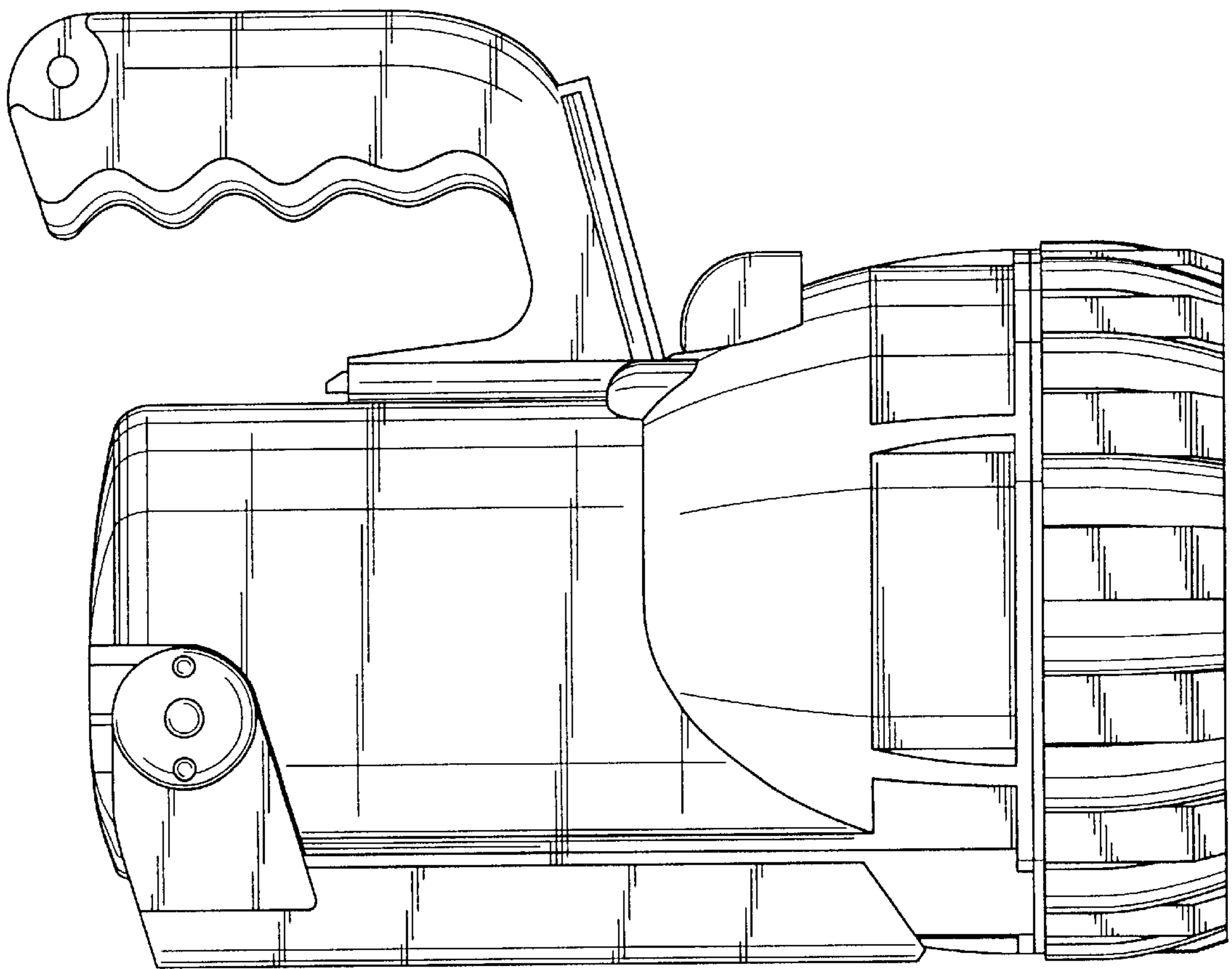


FIG. 5

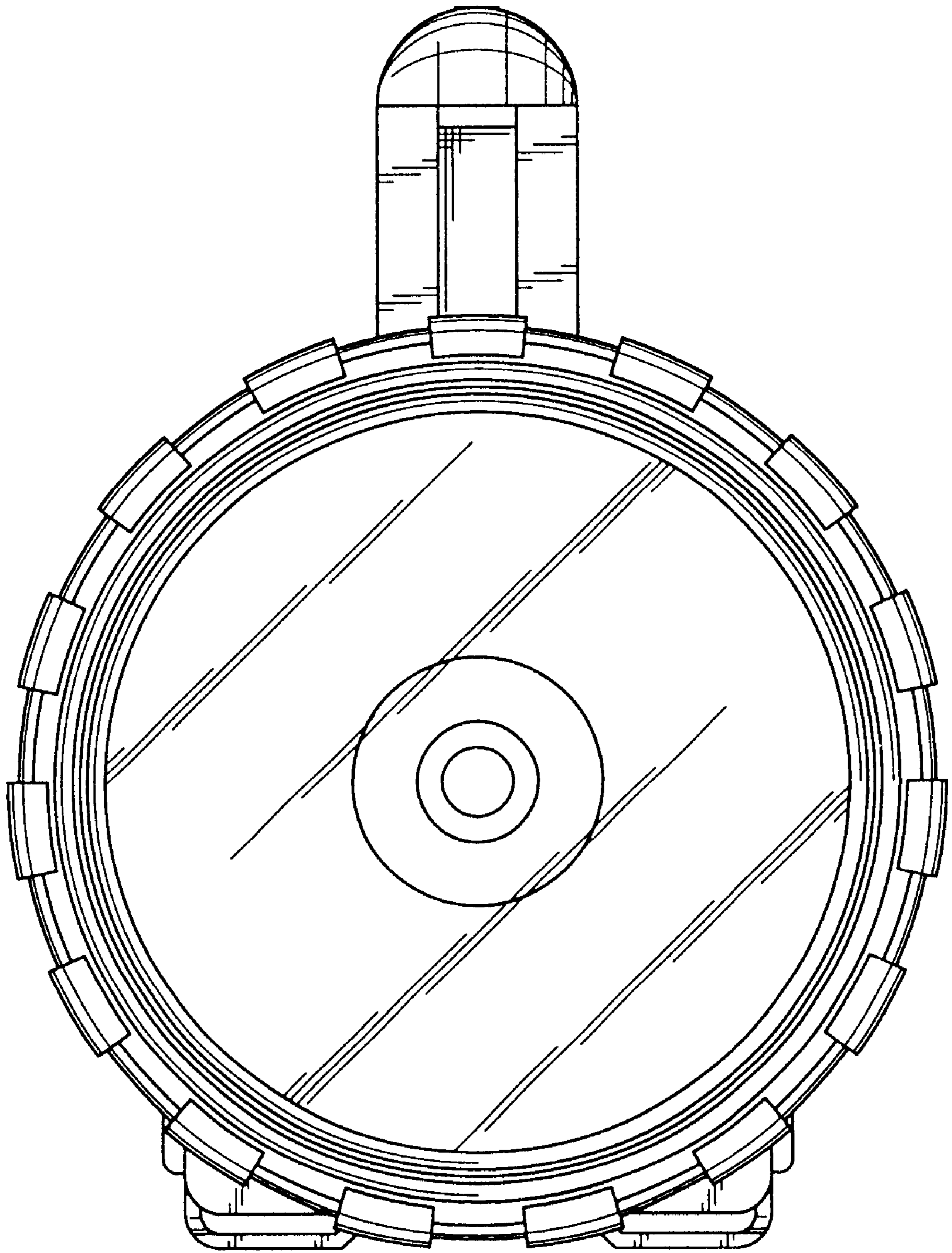


FIG. 6

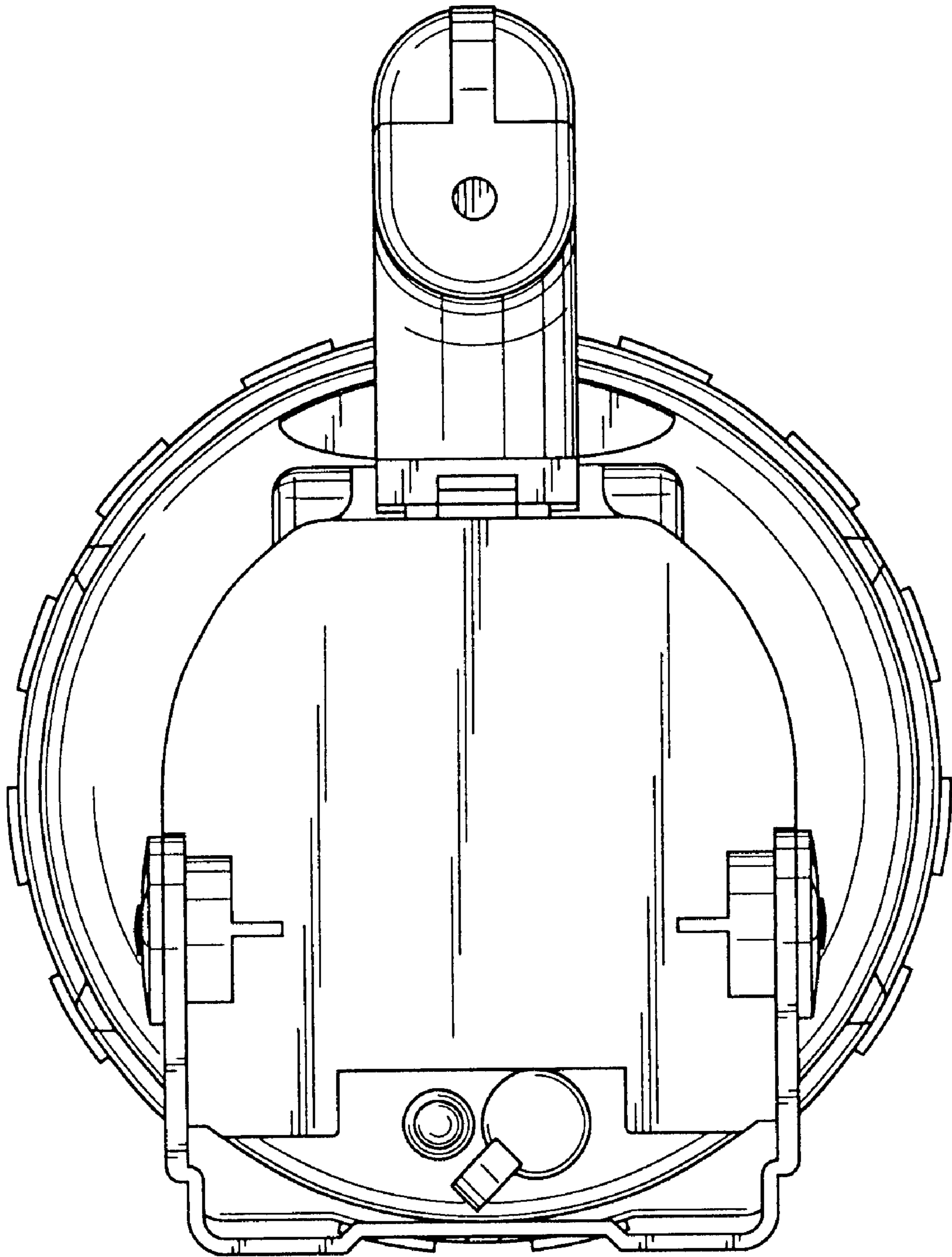


FIG. 7

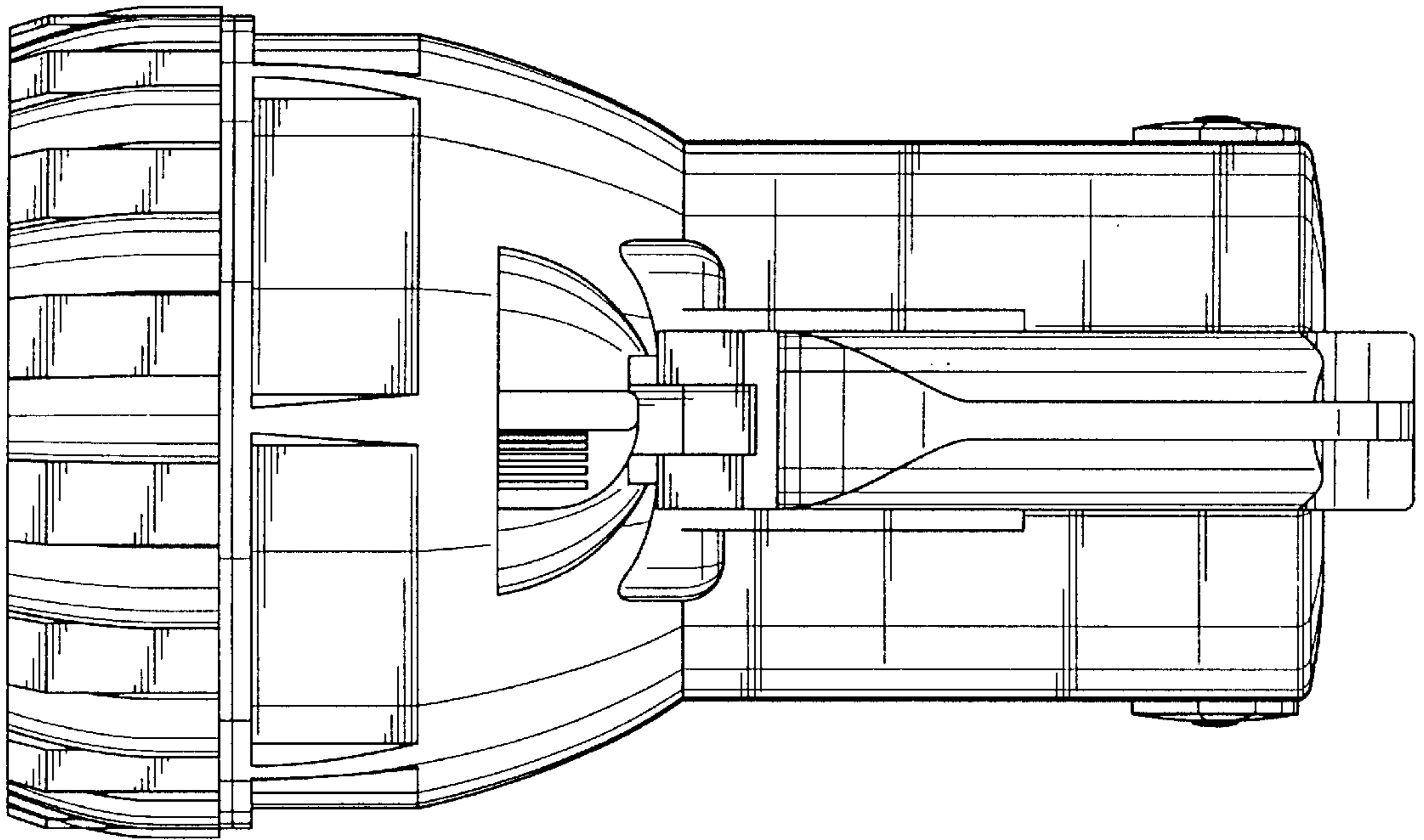


FIG. 8

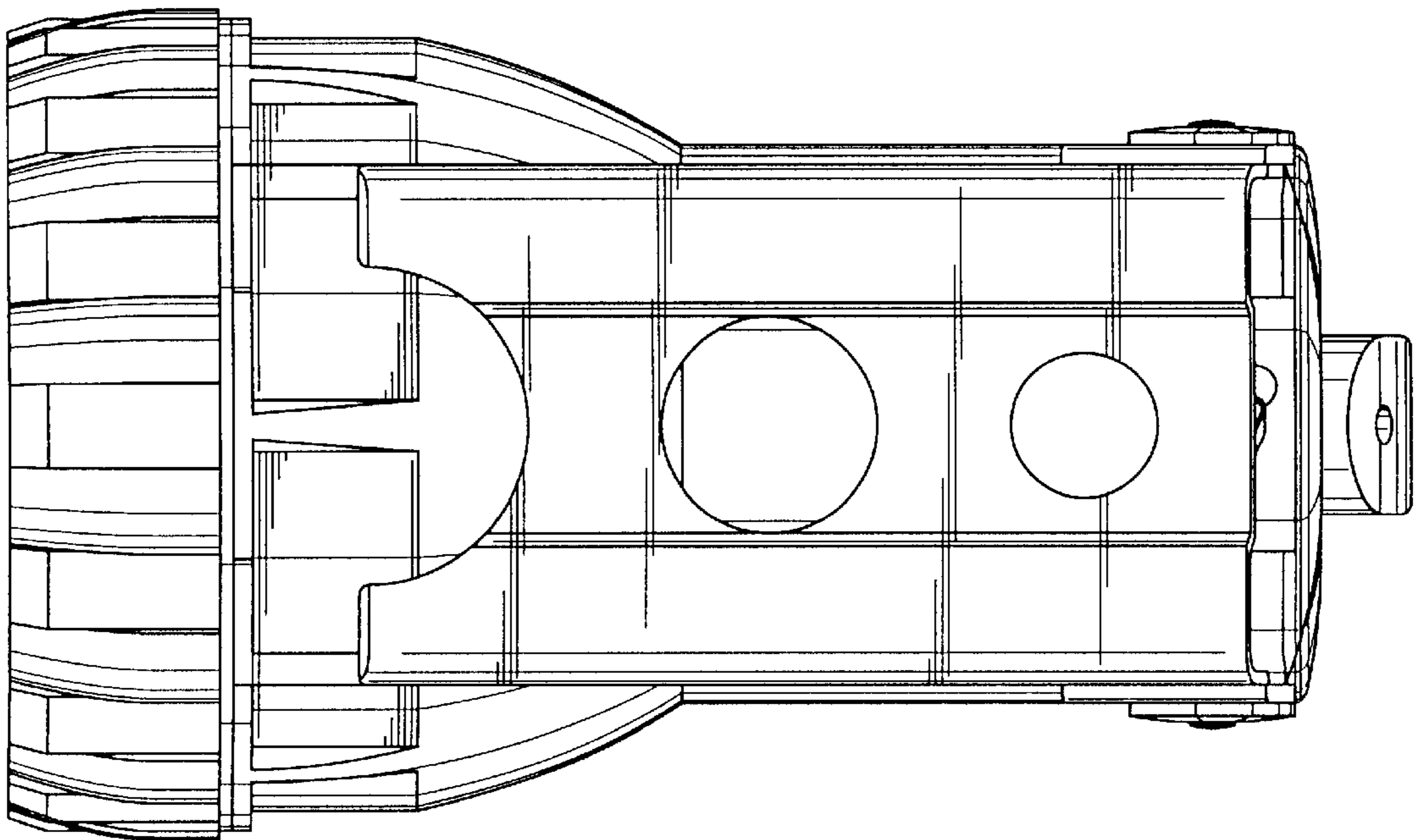


FIG. 9