



US00D459817S

(12) **United States Design Patent**  
da Costa

(10) **Patent No.:** **US D459,817 S**

(45) **Date of Patent:** **\*\* Jul. 2, 2002**

(54) **CAR WASH AND OIL CHANGE BUILDING**

*Primary Examiner—Doris Clark*

(76) **Inventor:** **Mario da Costa**, 1014 Grant Ave.,  
Pelham Manor, NY (US) 10803

(57) **CLAIM**

(\*\*) **Term:** **14 Years**

The ornamental design for a car wash and oil change building, as shown and described.

(21) **Appl. No.:** **29/149,736**

**DESCRIPTION**

(22) **Filed:** **Oct. 16, 2001**

FIG. 1 is front perspective view of the car wash and oil change building according to the invention;

(51) **LOC (7) Cl.** ..... **25-03**

FIG. 2 is a front elevational view of the car wash and oil change building of FIG. 1;

(52) **U.S. Cl.** ..... **D25/33**

(58) **Field of Search** ..... D25/22, 33, 32,  
D25/25, 34; 52/79.1

FIG. 3 is a rear elevational view of the car wash and oil change building of FIG. 1;

(56) **References Cited**

FIG. 4 is a top plan view of the car wash and oil change building of FIG. 1; and,

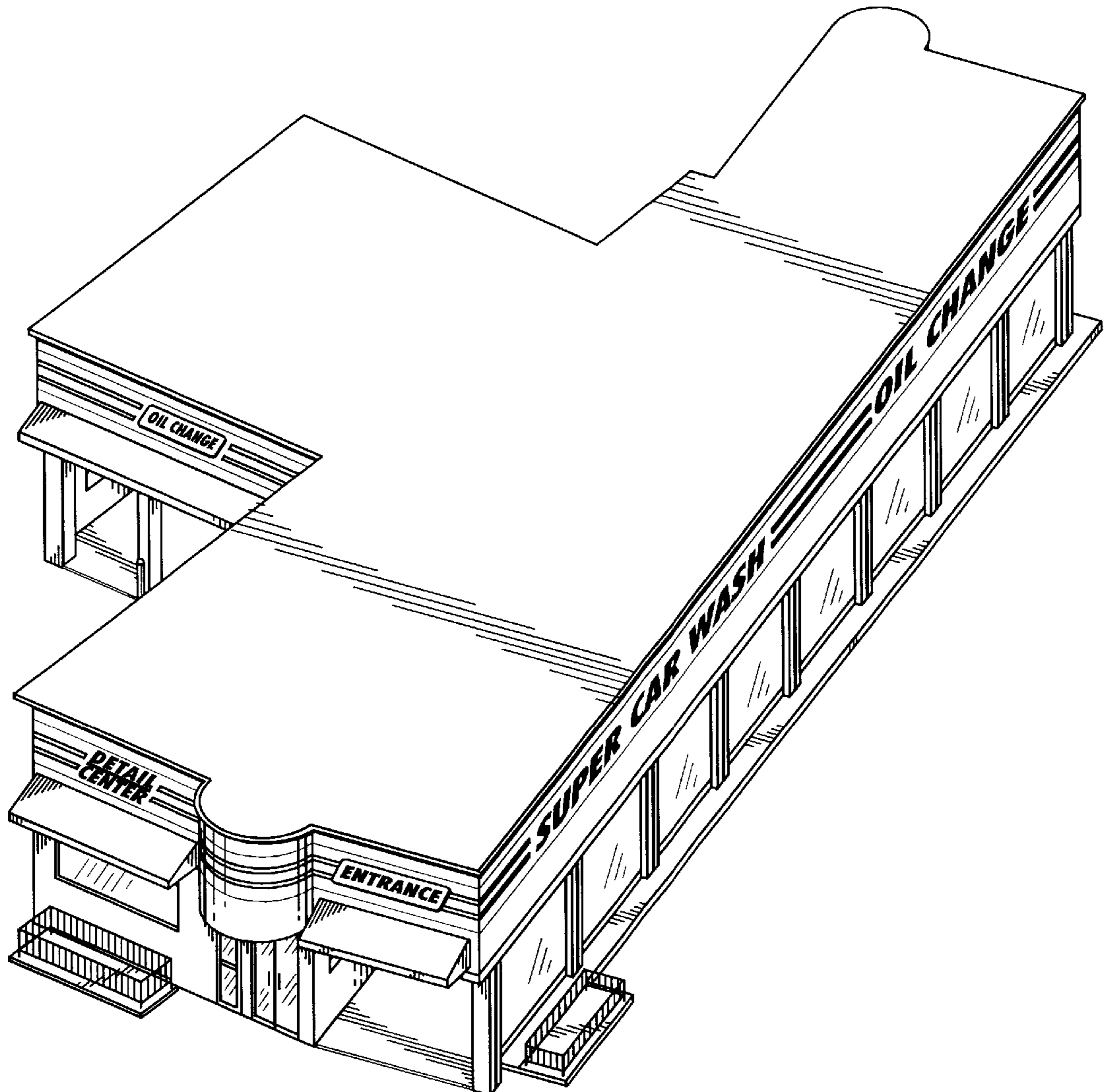
**U.S. PATENT DOCUMENTS**

FIG. 5 is a bottom plan view of the car wash and oil change building of FIG. 1.

3,676,973 A \* 7/1972 Kellert ..... D25/33  
D410,752 S \* 6/1999 Kinslow et al. .... D25/34

\* cited by examiner

**1 Claim, 3 Drawing Sheets**



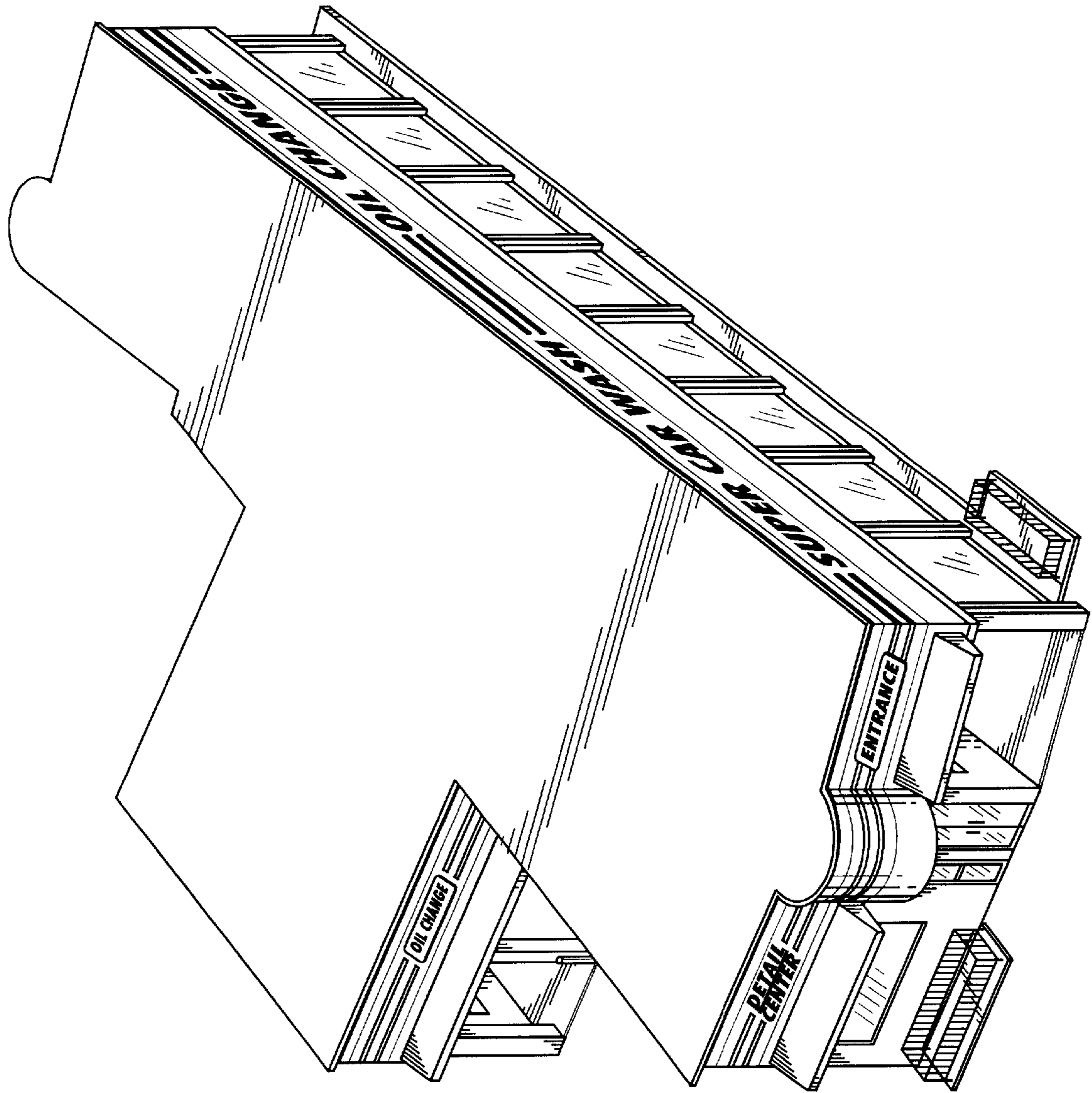


FIG. 1

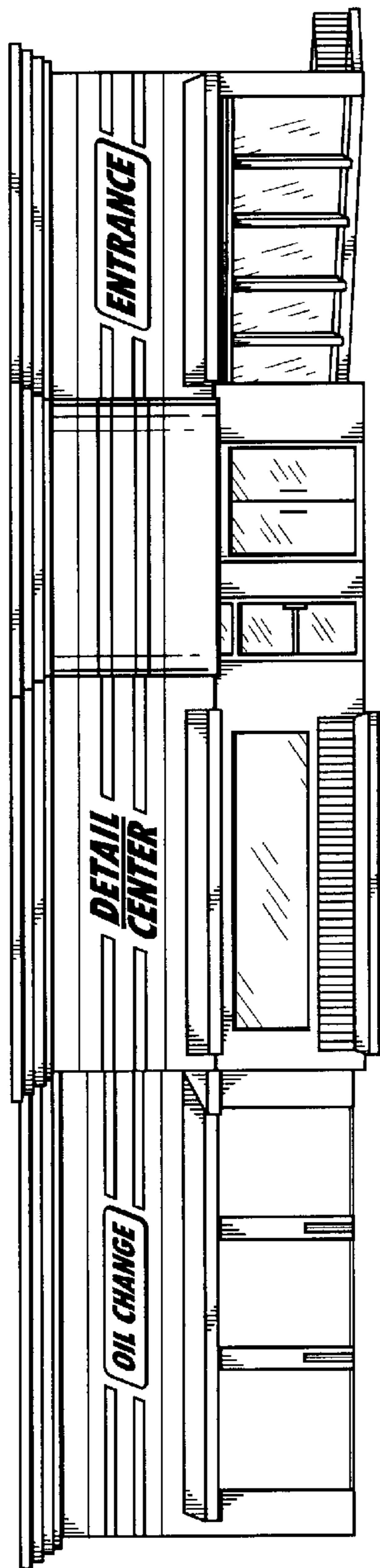


FIG. 2



FIG. 3

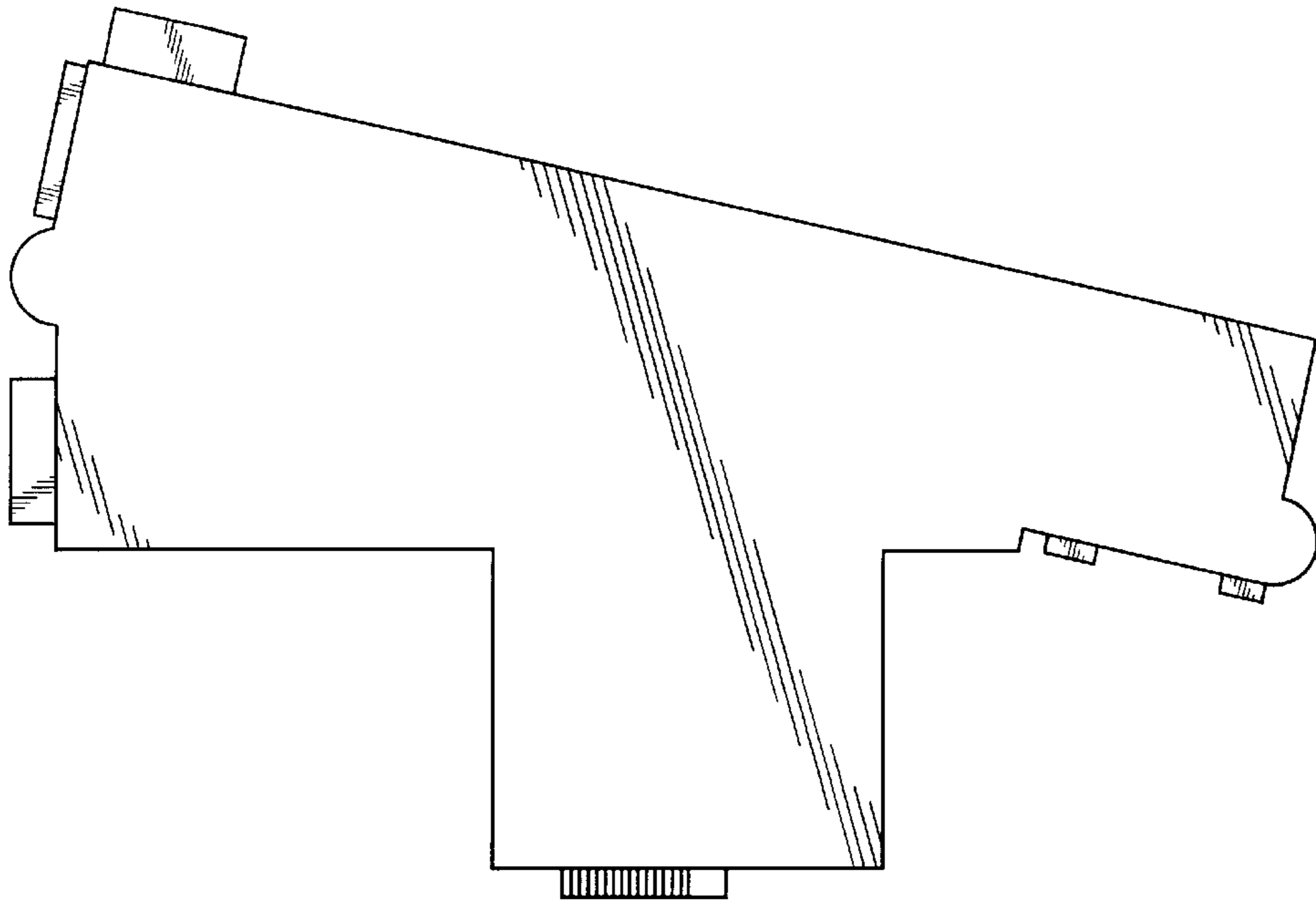


FIG. 4

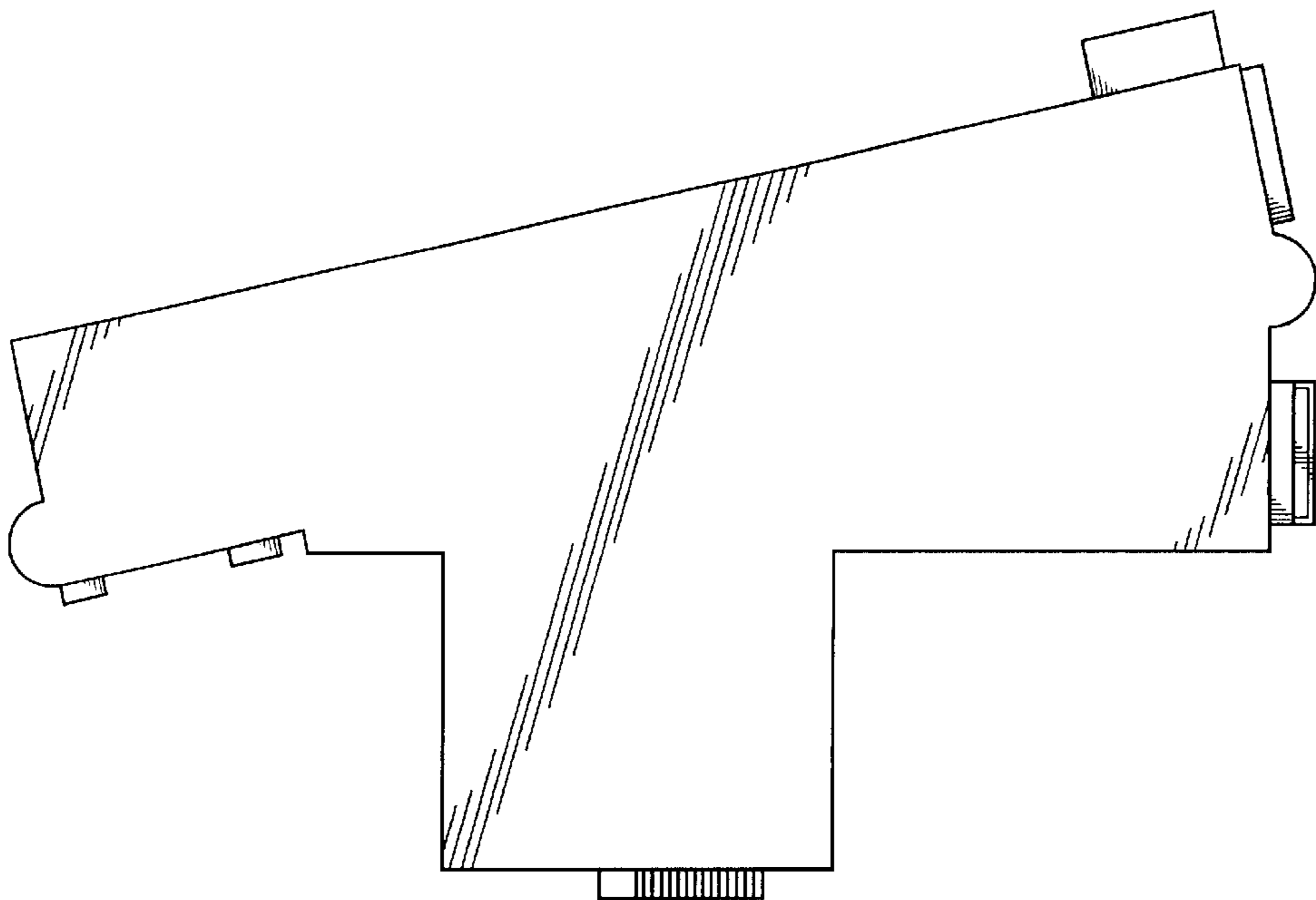


FIG. 5