



US00D459814S

(12) **United States Design Patent**
Lee et al.

(10) **Patent No.:** **US D459,814 S**
(45) **Date of Patent:** **** Jul. 2, 2002**

(54) **PROGRAMMER FOR A THERAPEUTIC MEDICAL DEVICE**

(75) Inventors: **David Warren Lee**, Apple Valley, MN (US); **William Hastings Wurz**, San Francisco, CA (US)

(73) Assignee: **Medtronic, Inc.**, Minneapolis, MN (US)

(**) Term: **14 Years**

(21) Appl. No.: **29/139,965**

(22) Filed: **Apr. 9, 2001**

(51) **LOC (7) Cl.** **24-01**

(52) **U.S. Cl.** **D24/186**

(58) **Field of Search** D24/186, 188, D24/200; 607/30, 31, 32, 46, 59, 60

(56) **References Cited**

U.S. PATENT DOCUMENTS

- 4,233,985 A * 11/1980 Hartlaub et al. 607/30
- D258,987 S 4/1981 Fathauer et al.
- 4,365,633 A * 12/1982 Loughman et al. 607/30
- 4,550,370 A * 10/1985 Baker 607/31
- 4,958,632 A * 9/1990 Duggan 607/11
- 5,336,245 A * 8/1994 P. et al. 607/32
- D358,583 S 5/1995 Winkler

- D359,803 S 6/1995 Stanton et al.
- D361,555 S * 8/1995 Erickson et al. D14/114
- 5,623,926 A 4/1997 Weiss
- D382,345 S 8/1997 Minogue
- D400,262 S 10/1998 Hirakawa et al.

* cited by examiner

Primary Examiner—Stella Reid

(74) *Attorney, Agent, or Firm*—Thomas G. Berry; Eric R. Waldkoetter

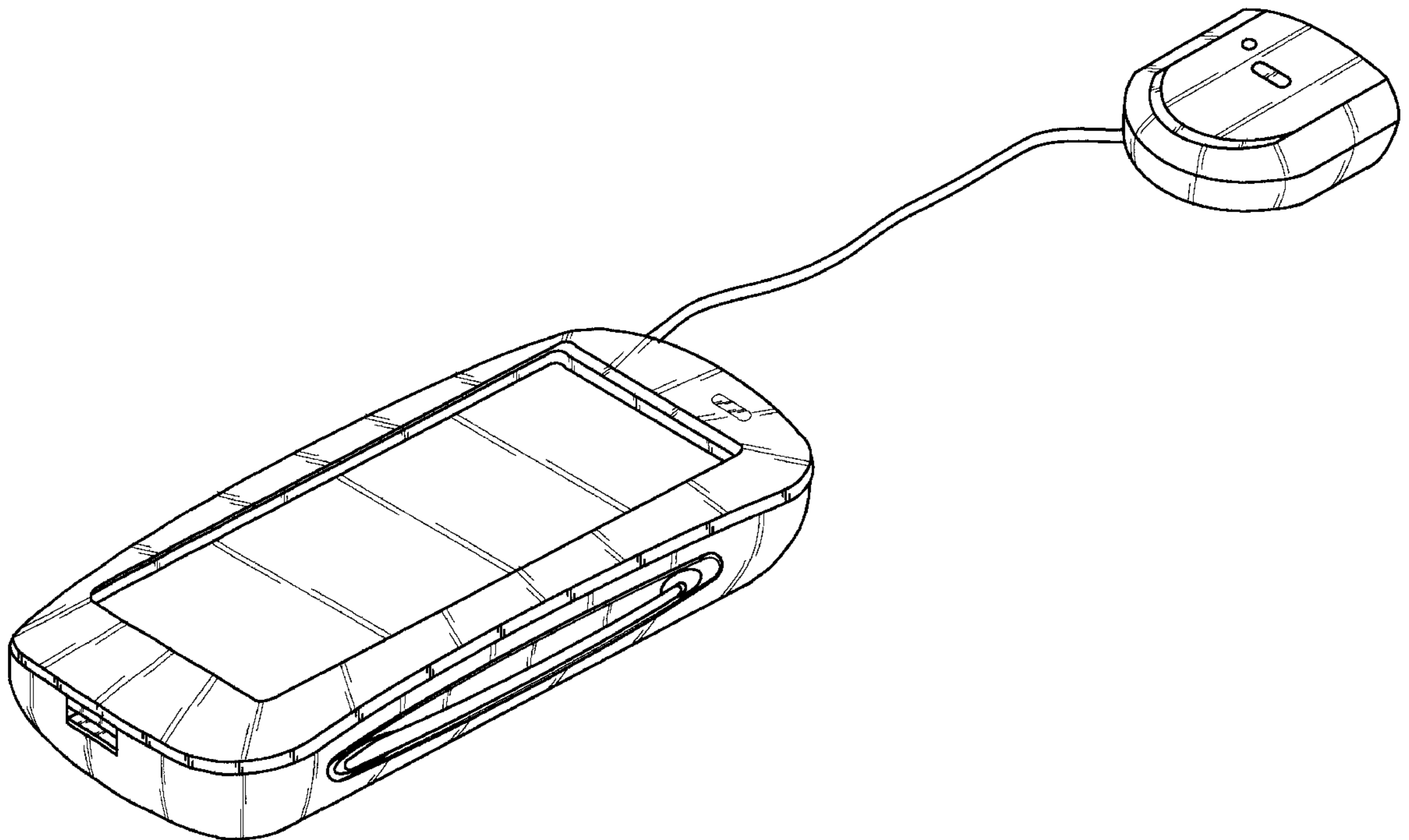
(57) **CLAIM**

The ornamental design for a programmer for a therapeutic medical device, as shown and described.

DESCRIPTION

FIG. 1 shows a perspective view of the design invention;
 FIG. 2 shows a back view
 FIG. 3 shows another back view;
 FIG. 4 shows a right side view;
 FIG. 5 shows a top view;
 FIG. 6 shows a front view;
 FIG. 7 shows a bottom view;
 FIG. 8 shows a left side view;
 FIG. 9 shows another perspective view;
 FIG. 10 shows another perspective view; and,
 FIG. 11 shows another perspective view.

1 Claim, 10 Drawing Sheets



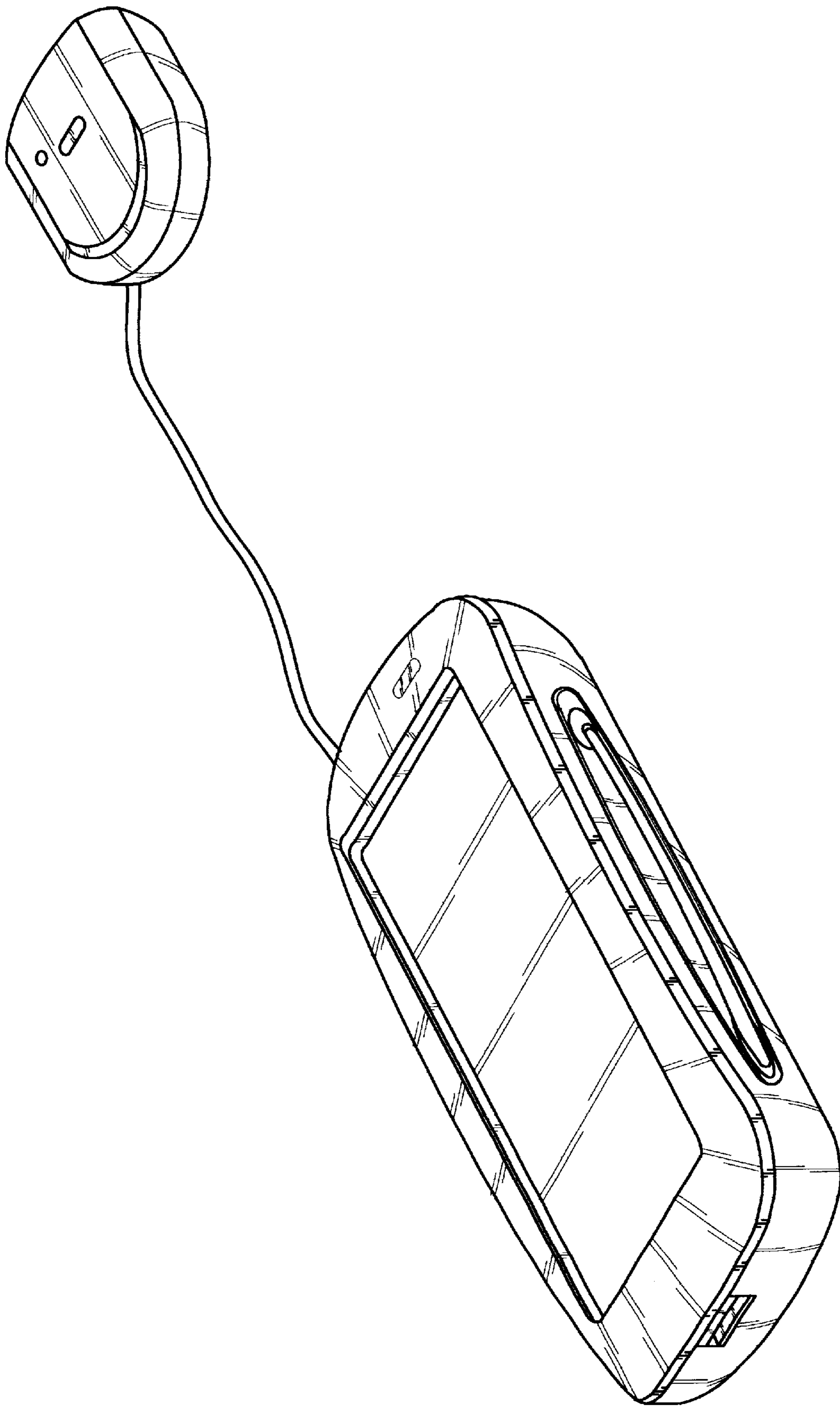


FIG. 1

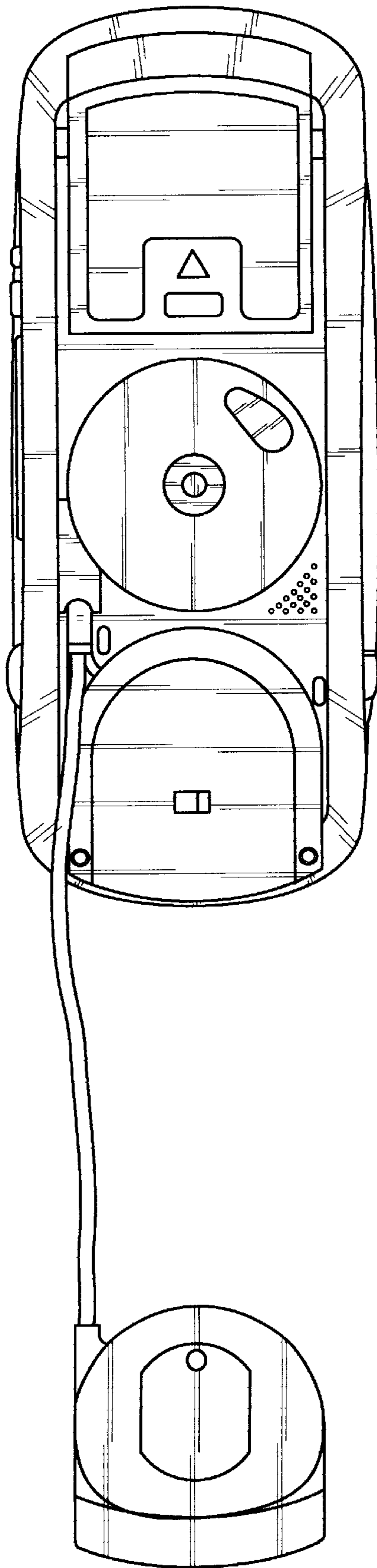


FIG. 2

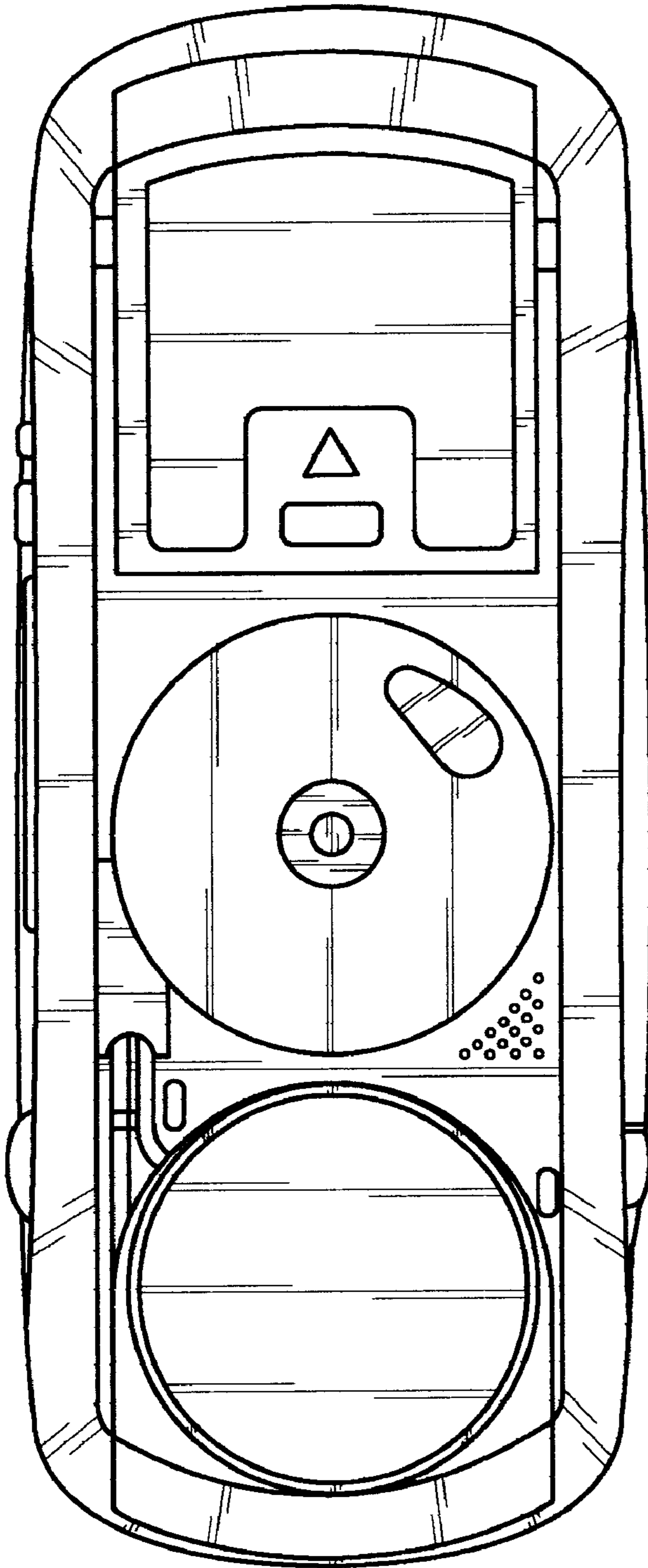


FIG. 3



FIG. 4

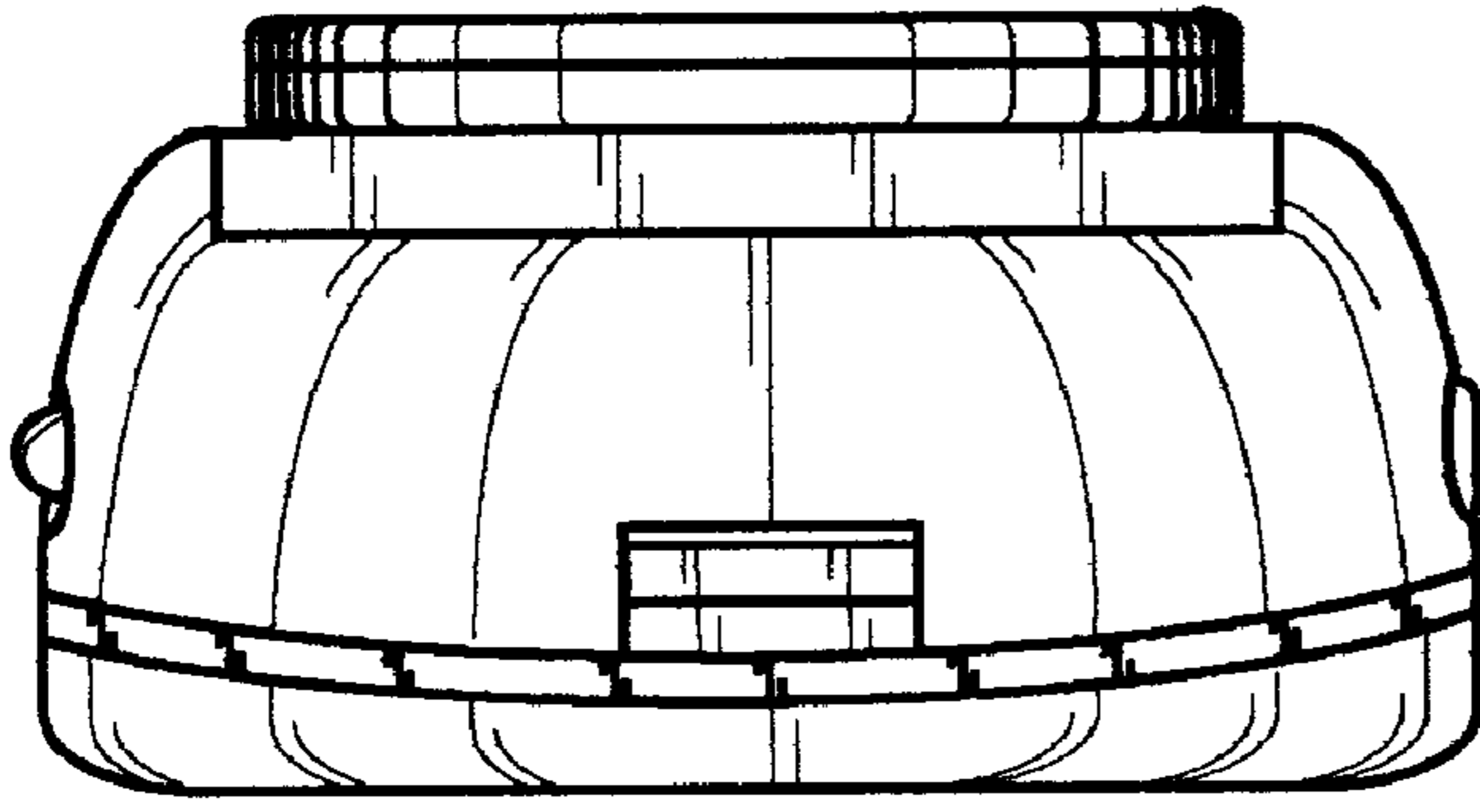


FIG. 7

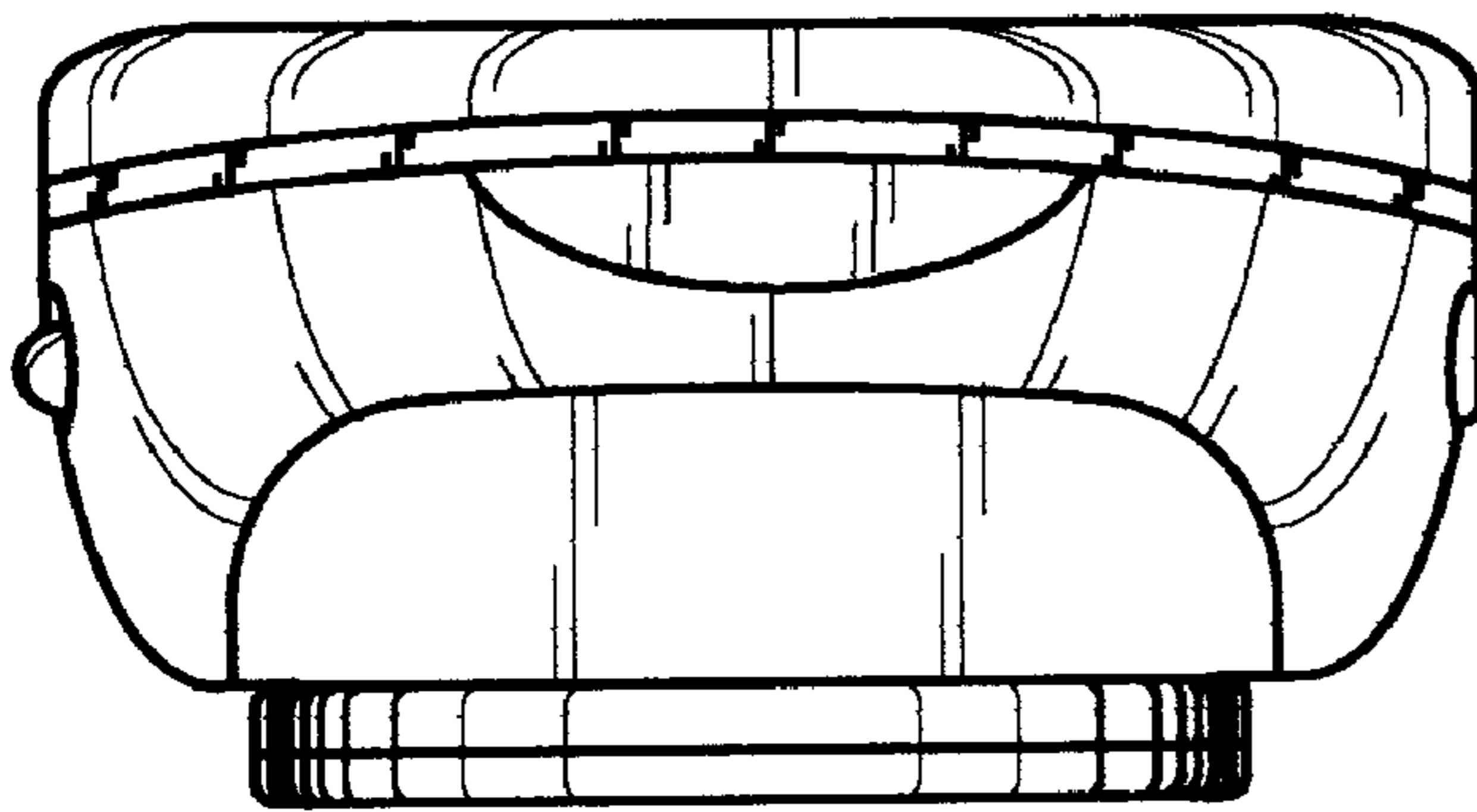


FIG. 5

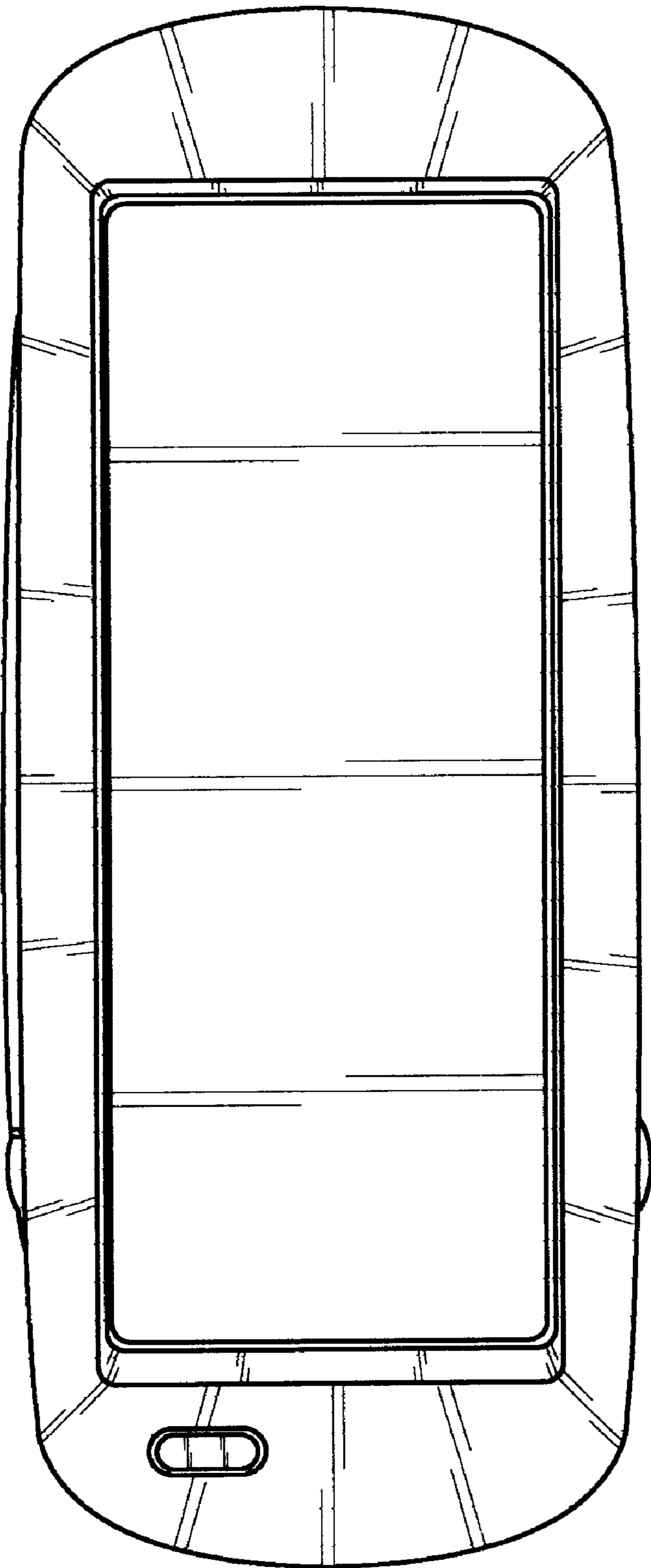


FIG. 6

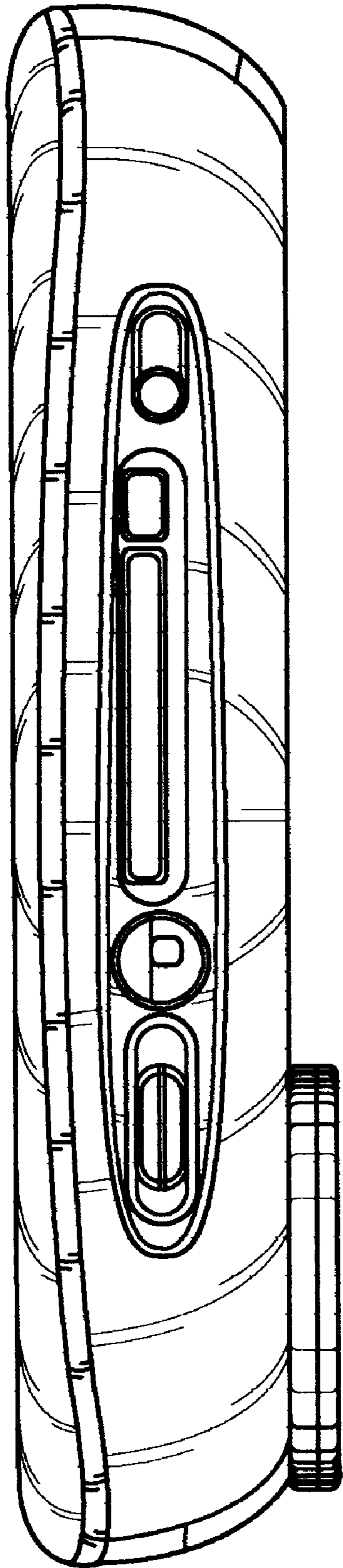


FIG. 8

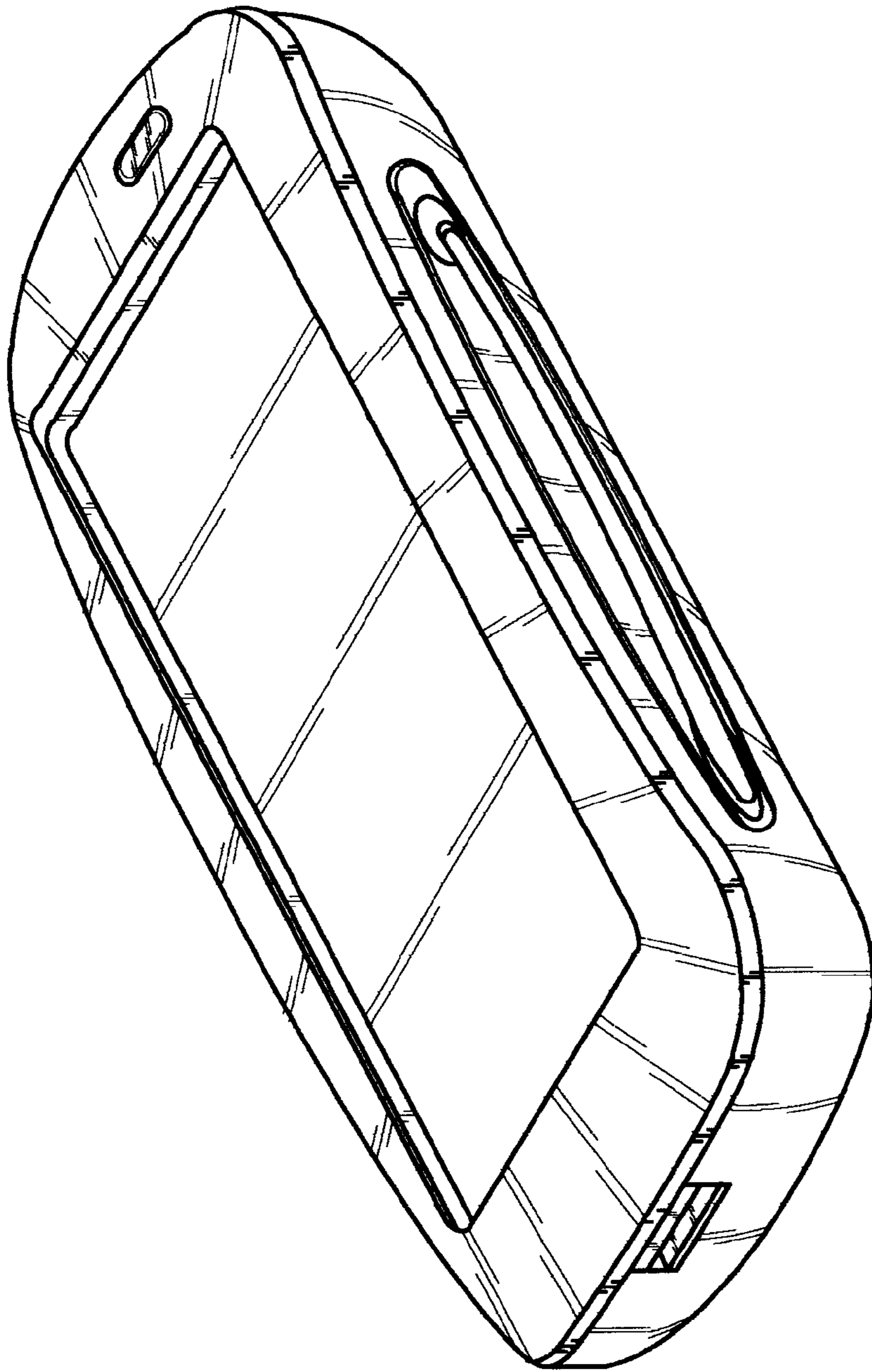


FIG. 9

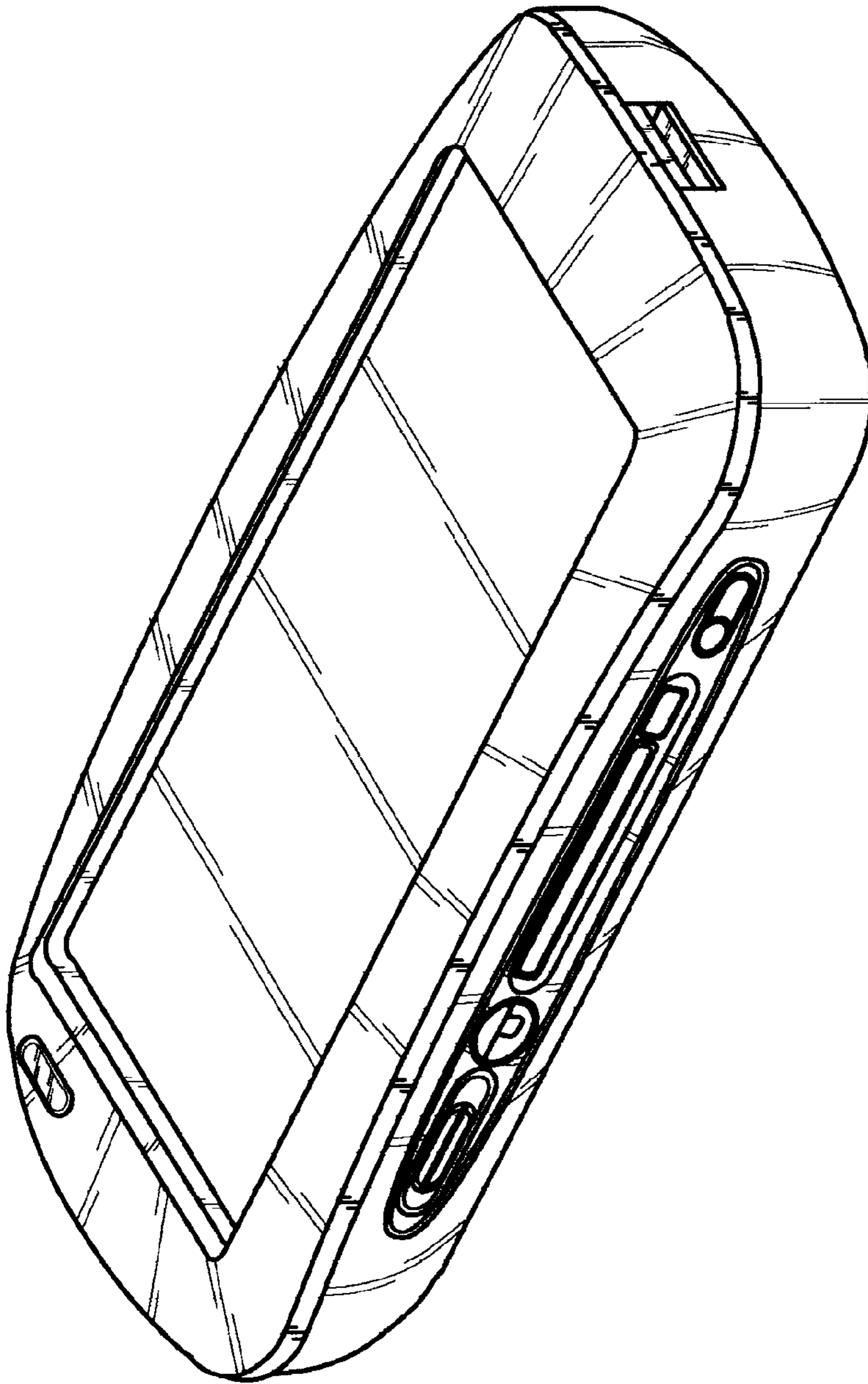


FIG. 10

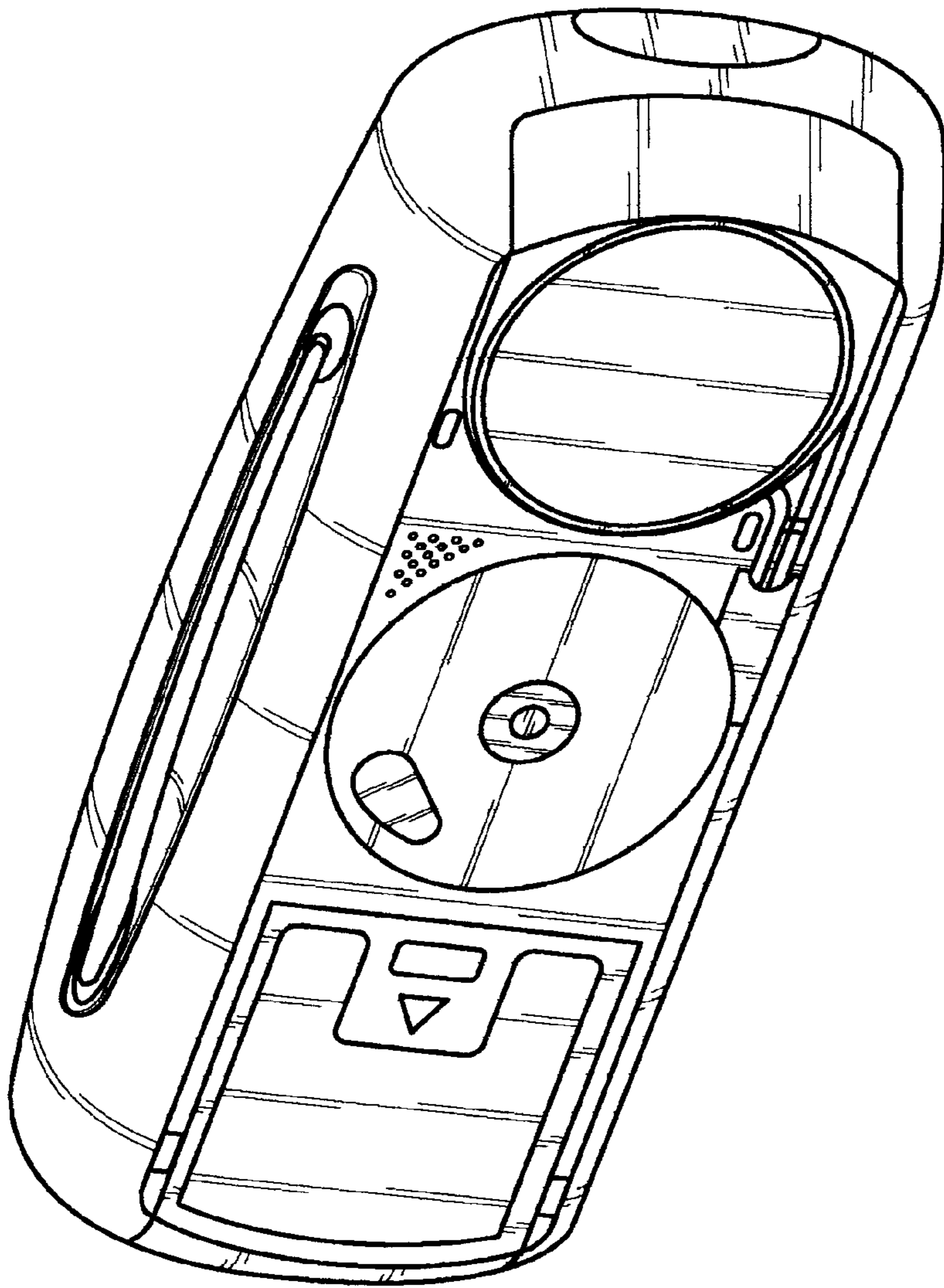


FIG. 11