



US00D459808S

(12) **United States Design Patent**  
**Safieh**

(10) **Patent No.:** **US D459,808 S**

(45) **Date of Patent:** **\*\* Jul. 2, 2002**

(54) **DENTAL FINGER PICK**

D453,378 S \* 2/2001 Manglone ..... D24/152  
6,283,751 B1 \* 9/2001 White ..... 433/141

(76) Inventor: **Eric Safieh**, 120 Promenade Circle,  
Apt. #1407, Thornhill, Ontario (CA),  
L4J 7W9

\* cited by examiner

(\*\*) Term: **14 Years**

*Primary Examiner*—Antoine Duval Davis  
(74) *Attorney, Agent, or Firm*—Merek & Voorhees

(21) Appl. No.: **29/147,100**

(57) **CLAIM**

(22) Filed: **Aug. 23, 2001**

The ornamental design for a dental finger pick, as shown and described.

(51) **LOC (7) Cl.** ..... **24-02**

**DESCRIPTION**

(52) **U.S. Cl.** ..... **D24/152**

(58) **Field of Search** ..... D24/152; D28/65;  
433/141, 143

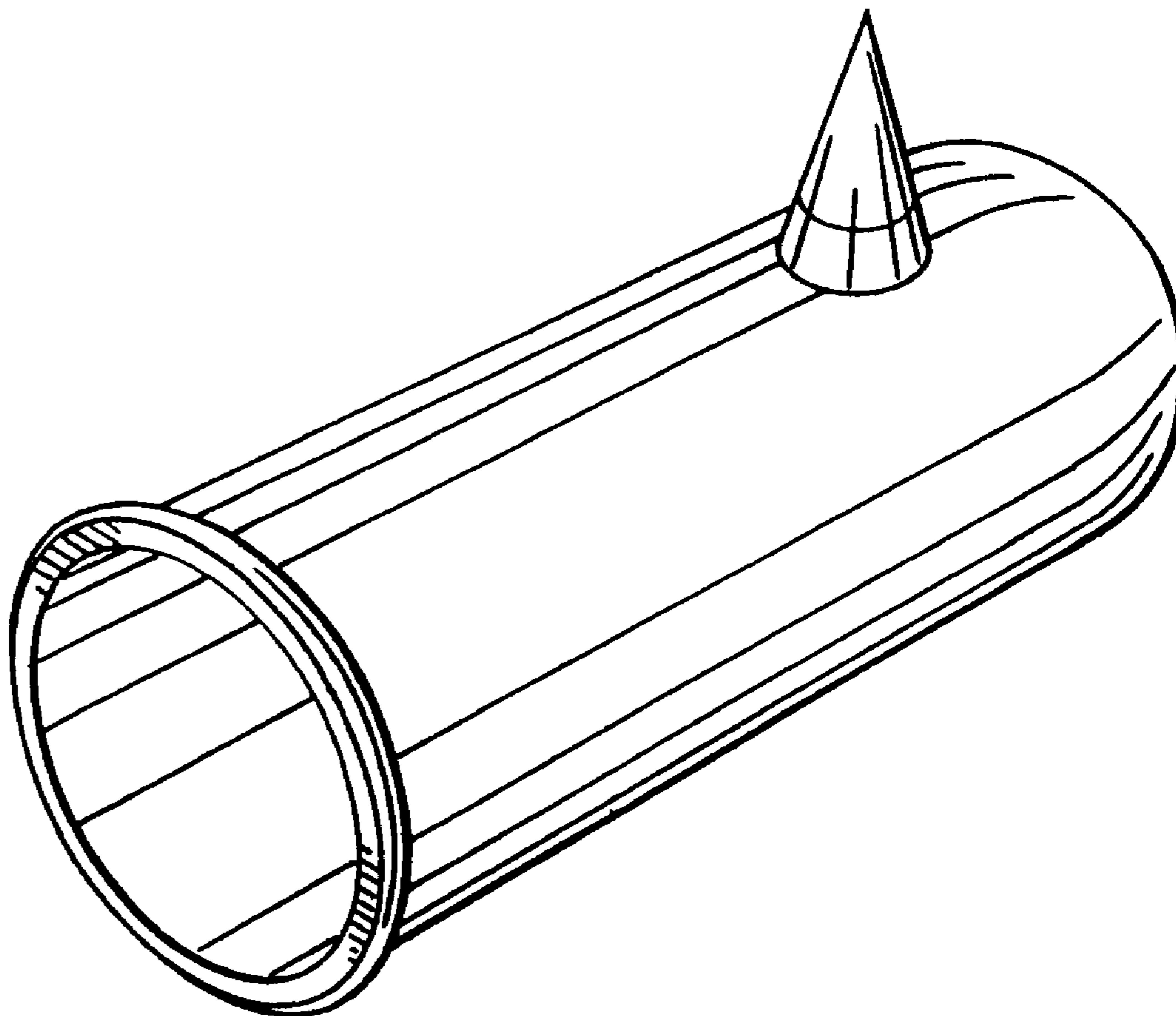
FIG. 1 is an upper side perspective view of the dental finger pick;  
FIG. 2 is a right end elevational view thereof;  
FIG. 3 is a top plan view thereof;  
FIG. 4 is a side elevational view thereof;  
FIG. 5 is a bottom view thereof; and,  
FIG. 6 is a left end elevational view thereof.

(56) **References Cited**

**U.S. PATENT DOCUMENTS**

D355,278 S \* 2/1995 Dumont ..... D28/65  
5,826,599 A 10/1998 Adams  
6,105,587 A 8/2000 Dunn

**1 Claim, 1 Drawing Sheet**



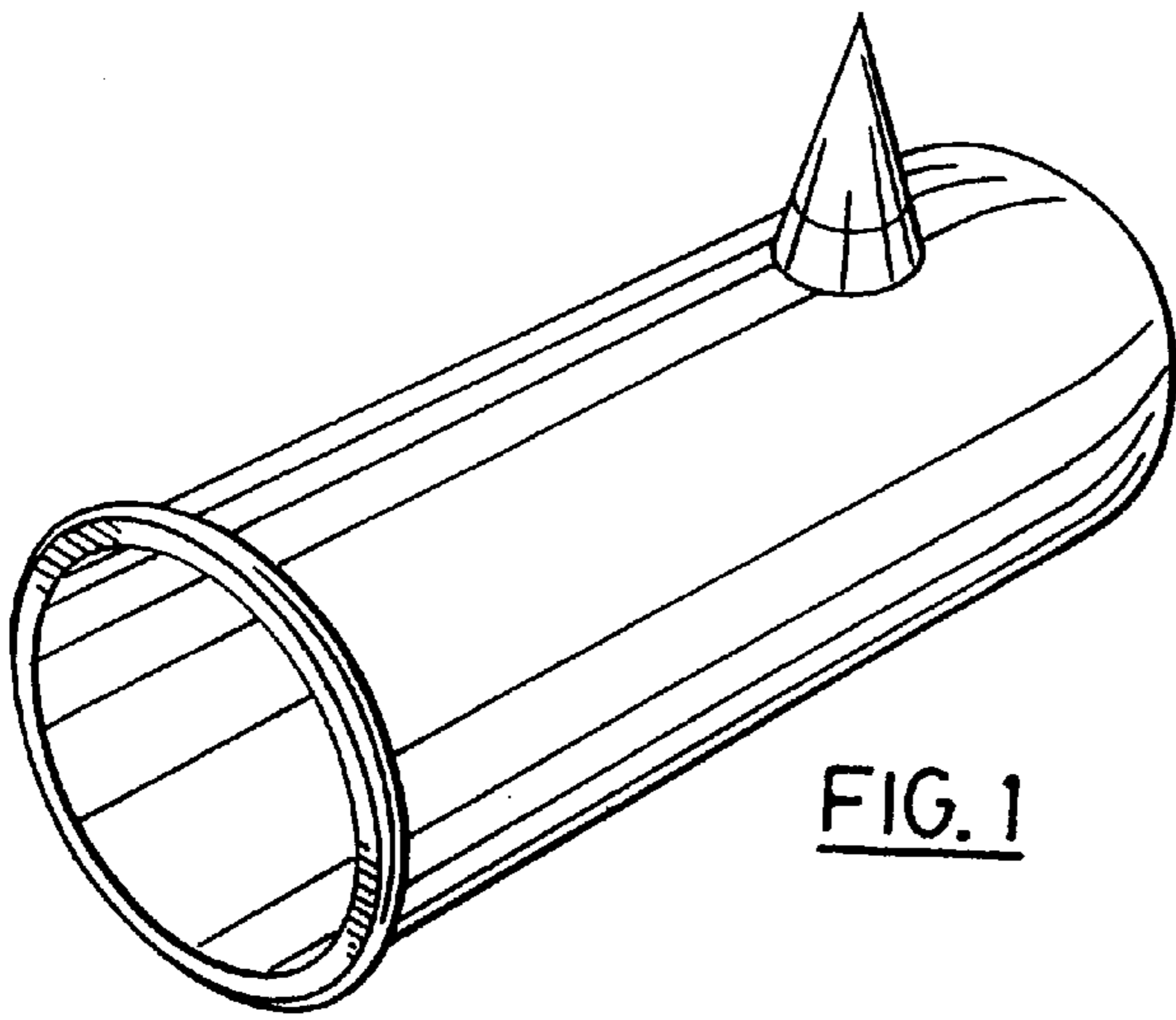


FIG. 1

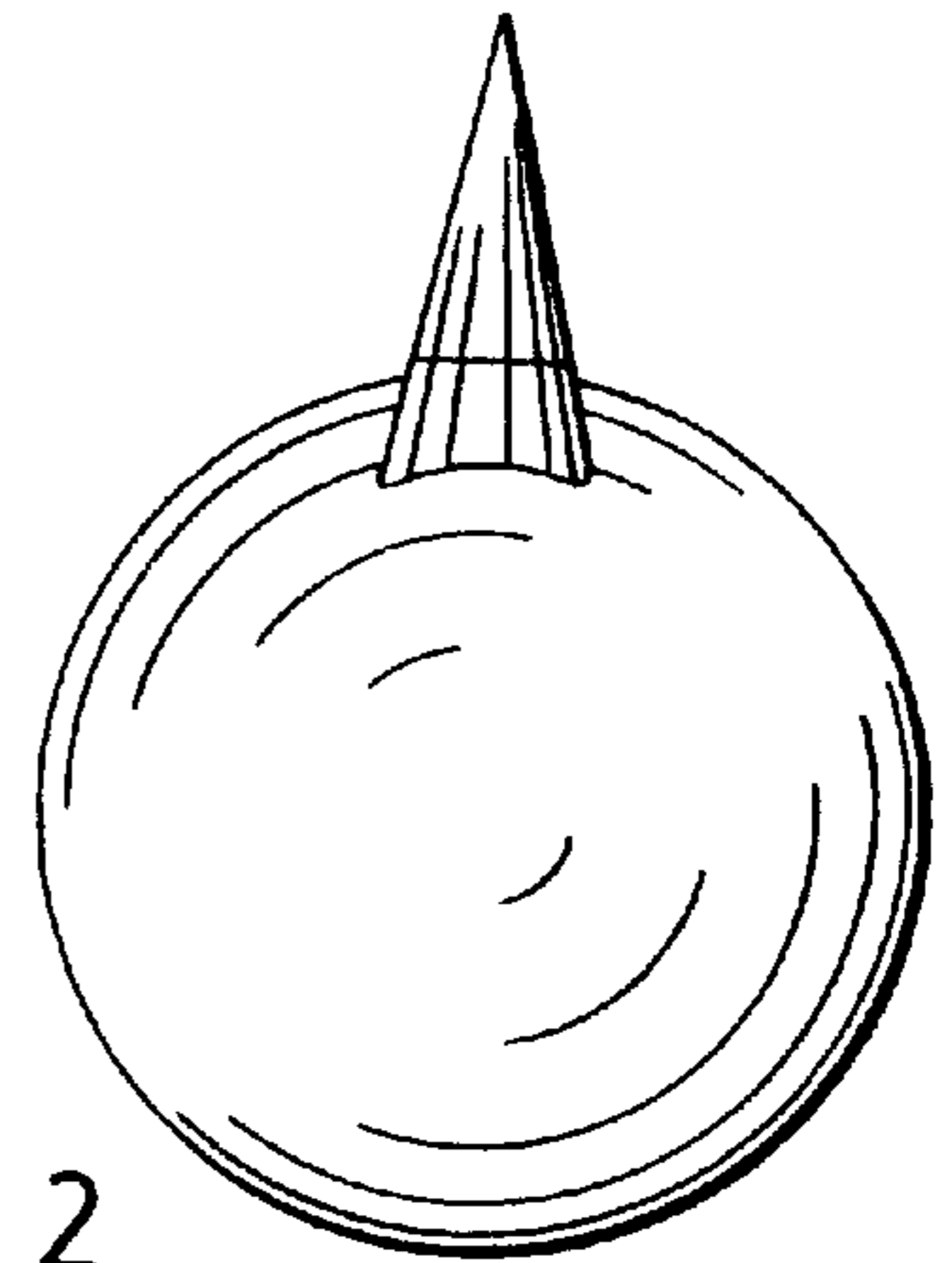


FIG. 2

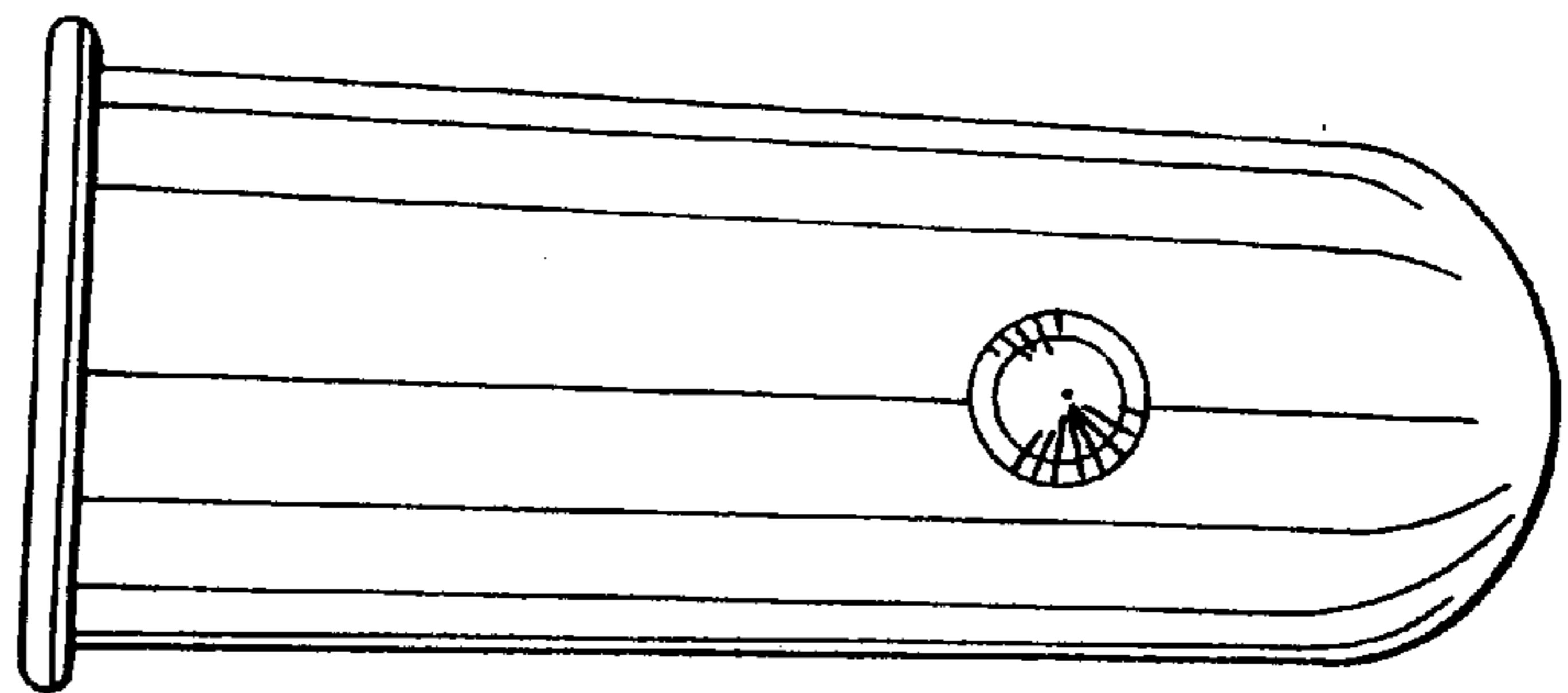


FIG. 3

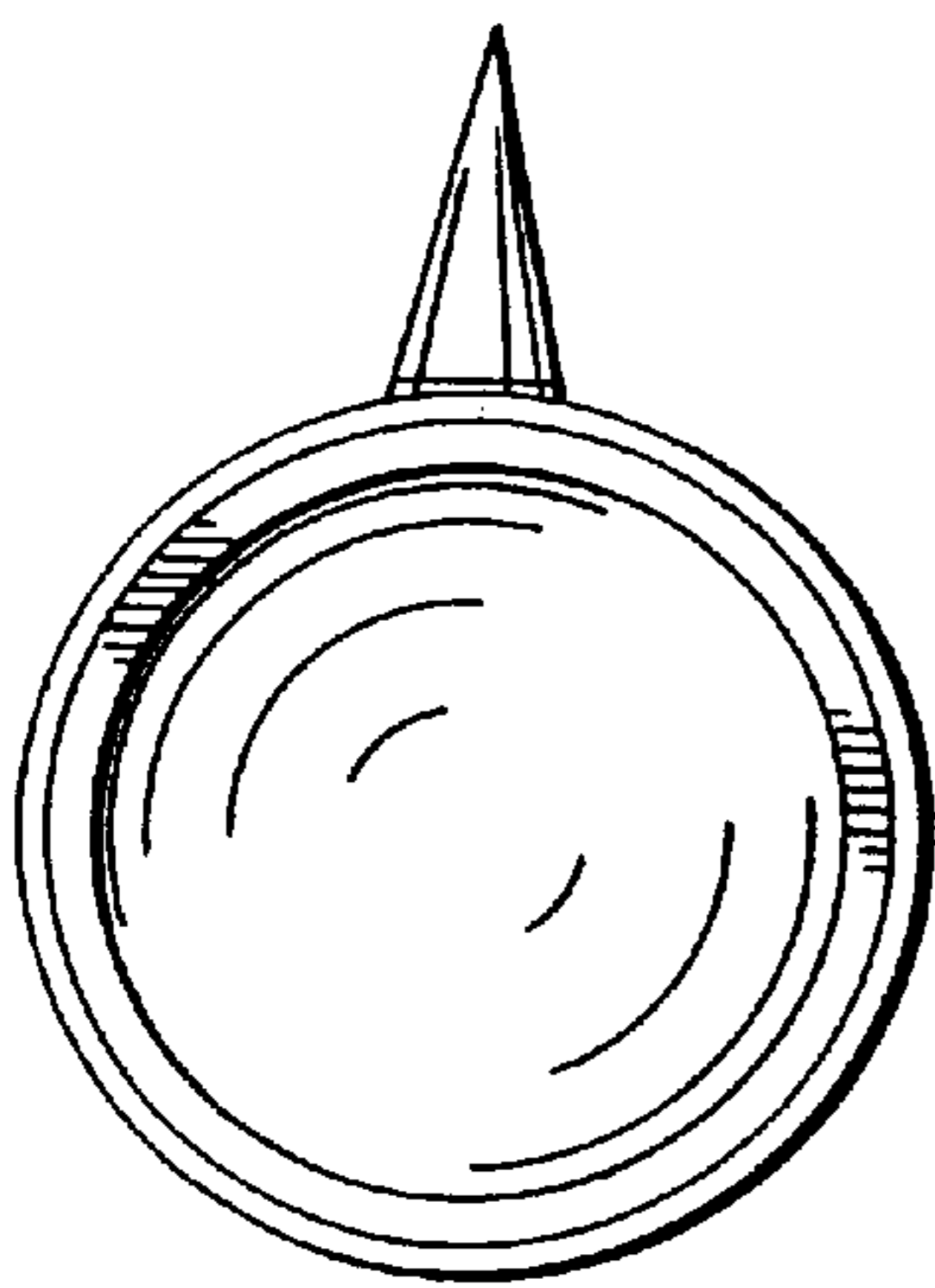


FIG. 6

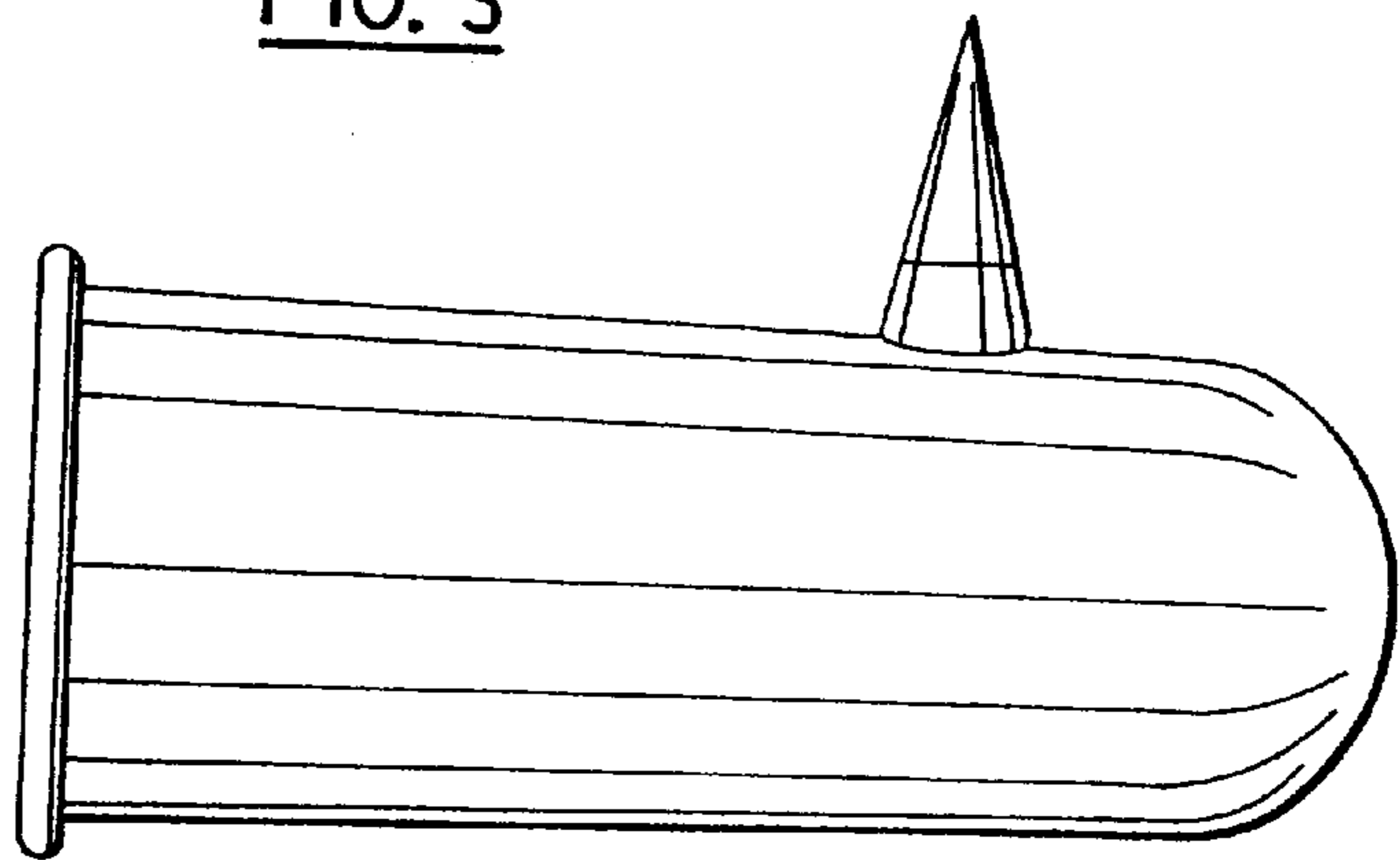


FIG. 4

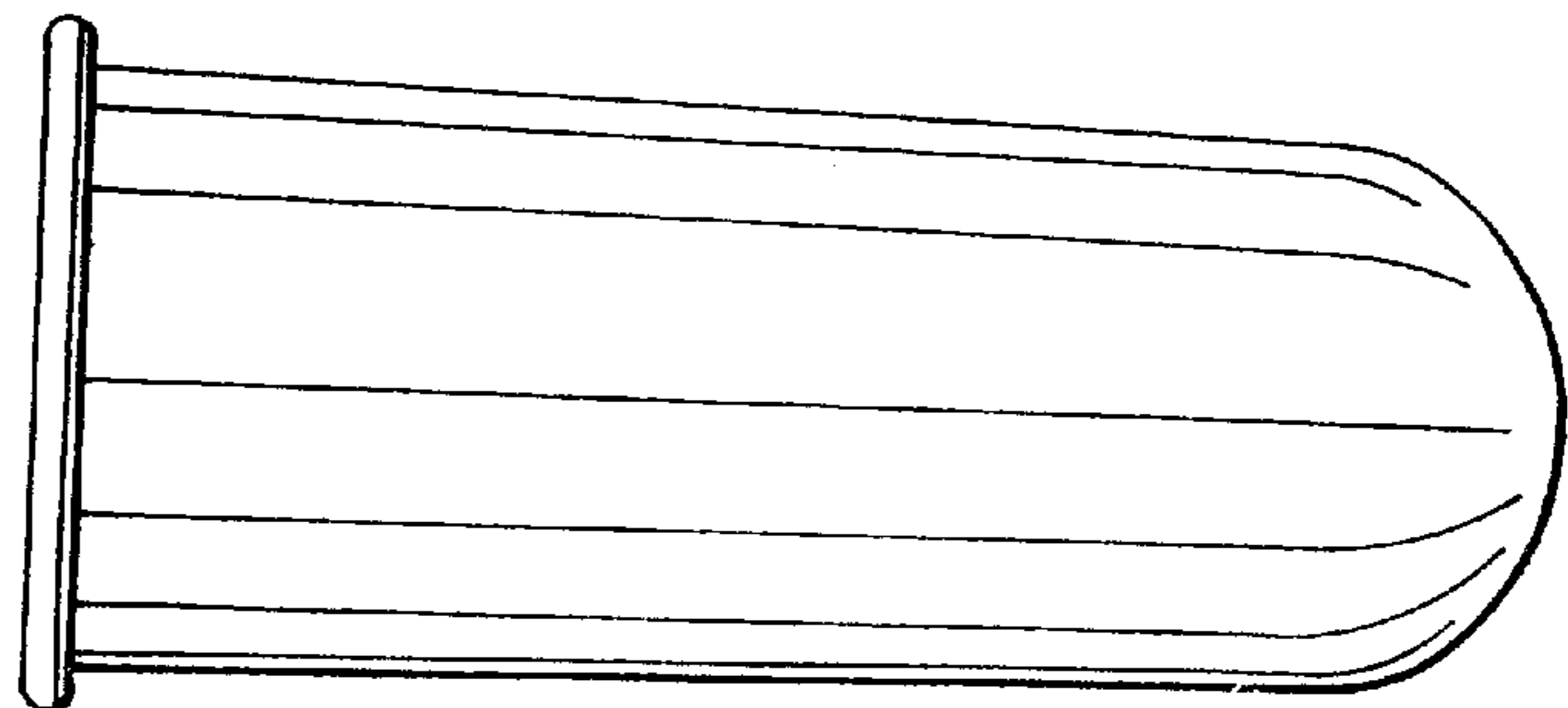


FIG. 5