



US00D459807S

(12) **United States Design Patent**  
**Webb**

(10) **Patent No.:** **US D459,807 S**

(45) **Date of Patent:** **\*\* Jul. 2, 2002**

(54) **PATIENT INTERFACE GRIPPER FOR OPTHALMIC LASER SURGERY**

(75) Inventor: **R. Kyle Webb**, Escondido, CA (US)

(73) Assignee: **IntraLase Corporation**, Irvine, CA (US)

(\*\*) Term: **14 Years**

(21) Appl. No.: **29/140,179**

(22) Filed: **Apr. 11, 2001**

(51) **LOC (7) Cl.** ..... **24-02**

(52) **U.S. Cl.** ..... **D24/150; D24/133; D24/143**

(58) **Field of Search** ..... **D24/150, 133, D24/143, 140, 147, 155, 157; 606/107, 166, 4, 1, 5, 99; 623/5.14, 612, 904, 906**

(56) **References Cited**

**U.S. PATENT DOCUMENTS**

- D255,715 S \* 7/1980 Markham ..... D24/143
- D349,342 S \* 8/1994 Noy et al. .... D24/143

6,068,643 A \* 5/2000 Milverton ..... 606/191

\* cited by examiner

*Primary Examiner*—Ian Simmons

(74) *Attorney, Agent, or Firm*—John W. Eldredge; Stradling Yocca Carlson & Rauth

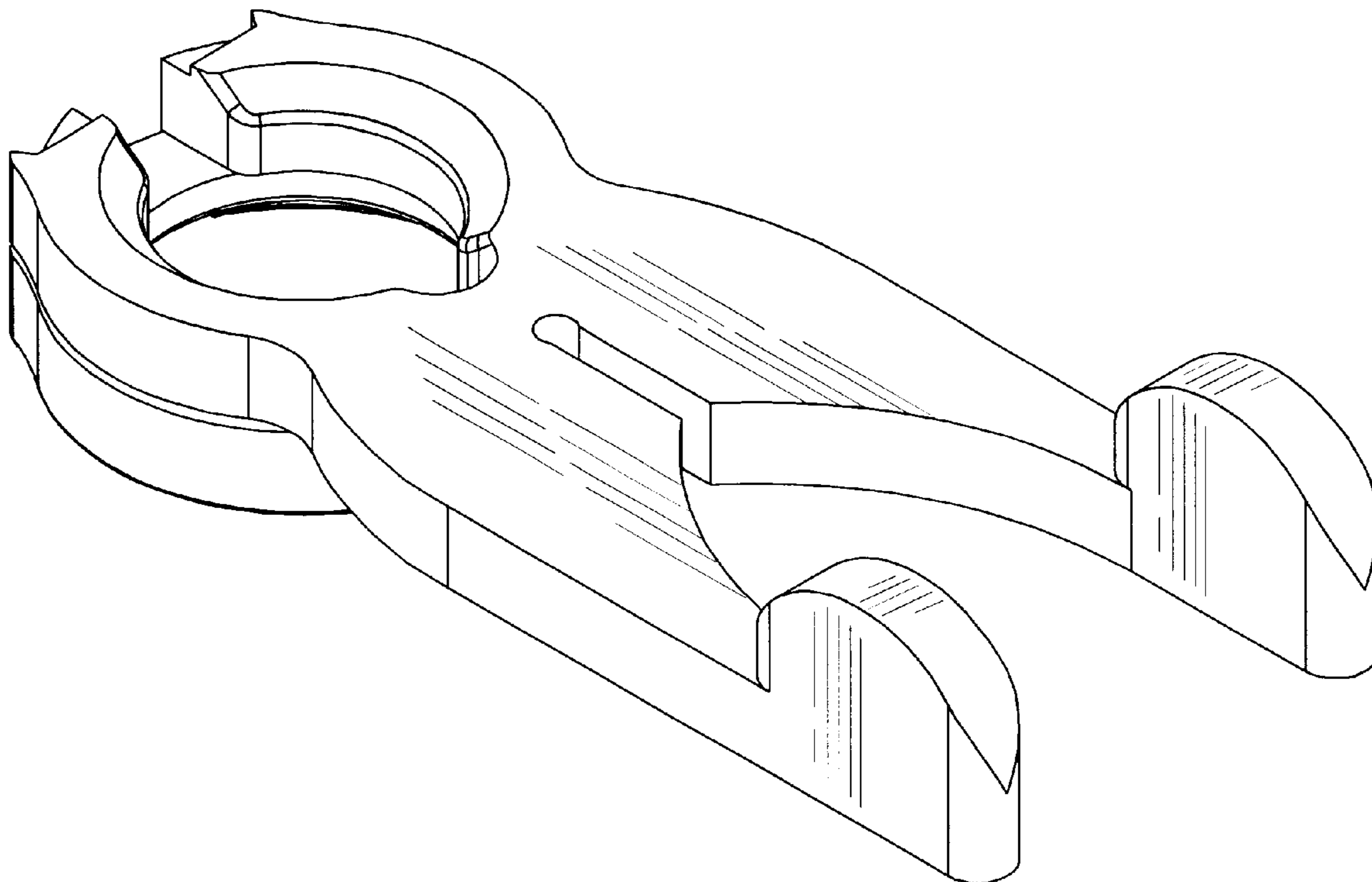
(57) **CLAIM**

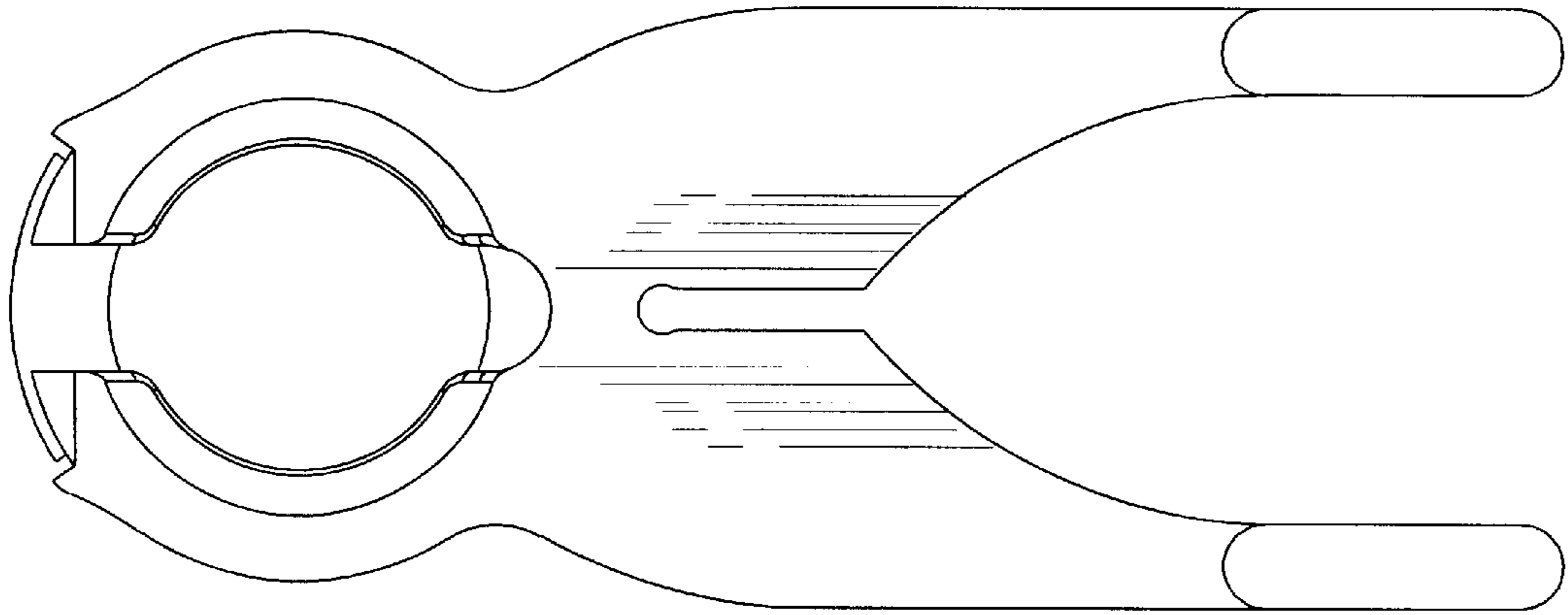
The ornamental design for the patient interface gripper for ophthalmic laser surgery, as shown and described.

**DESCRIPTION**

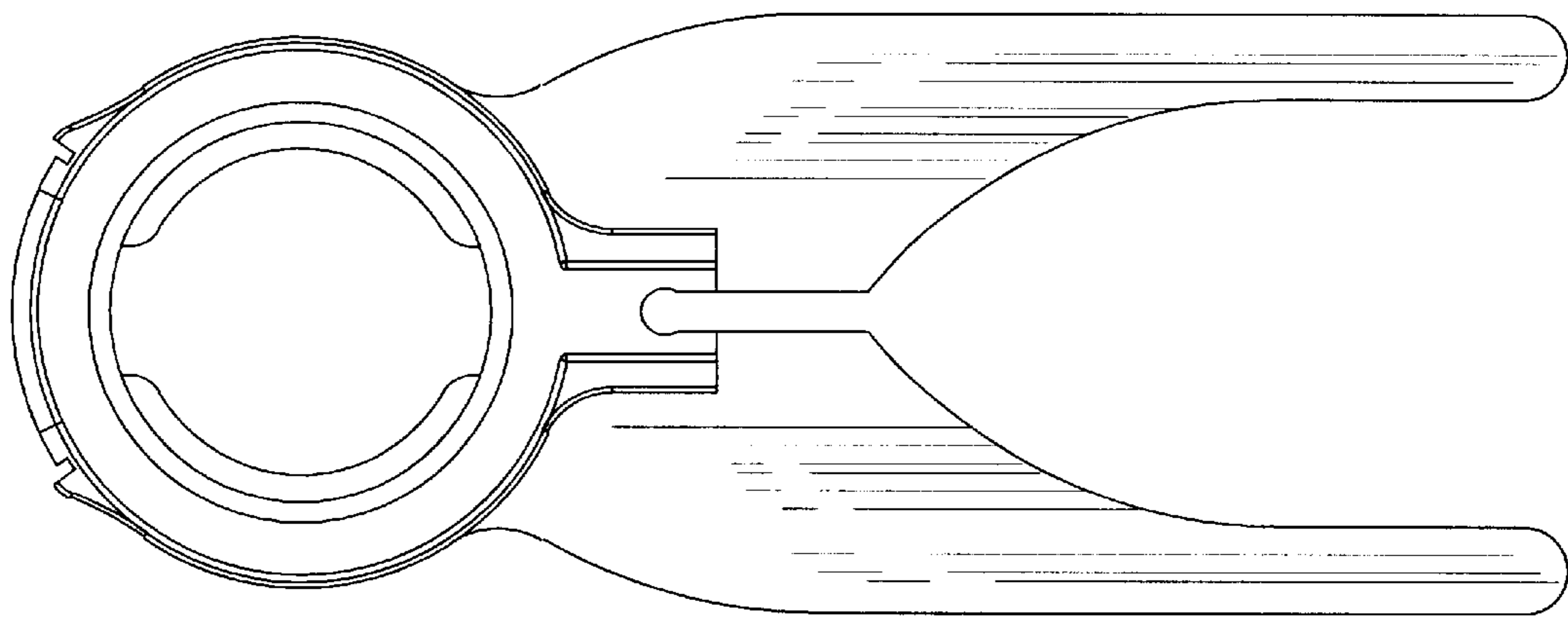
FIG. 1 is a top plan view of a patient interface gripper for ophthalmic laser surgery showing my new design;  
 FIG. 2 is a bottom plan view thereof;  
 FIG. 3 is a rear elevational view thereof;  
 FIG. 4 is a side elevational view of the left side of the patient interface gripper for ophthalmic laser surgery oriented as in FIG. 1;  
 FIG. 5 is a front elevational view thereof; and,  
 FIG. 6 is a left rear perspective view of the patient interface gripper for ophthalmic laser surgery showing my new design.

**1 Claim, 3 Drawing Sheets**

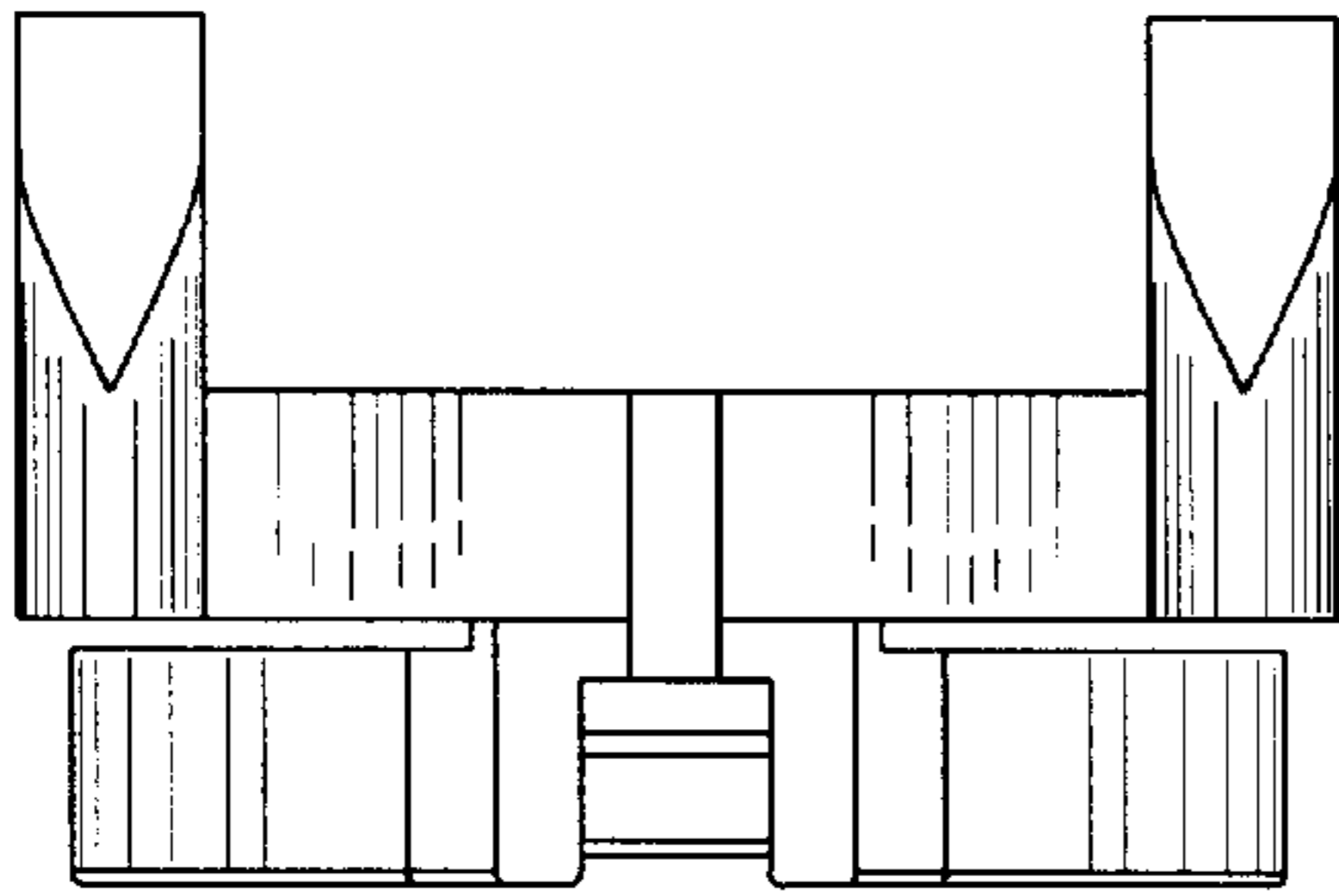




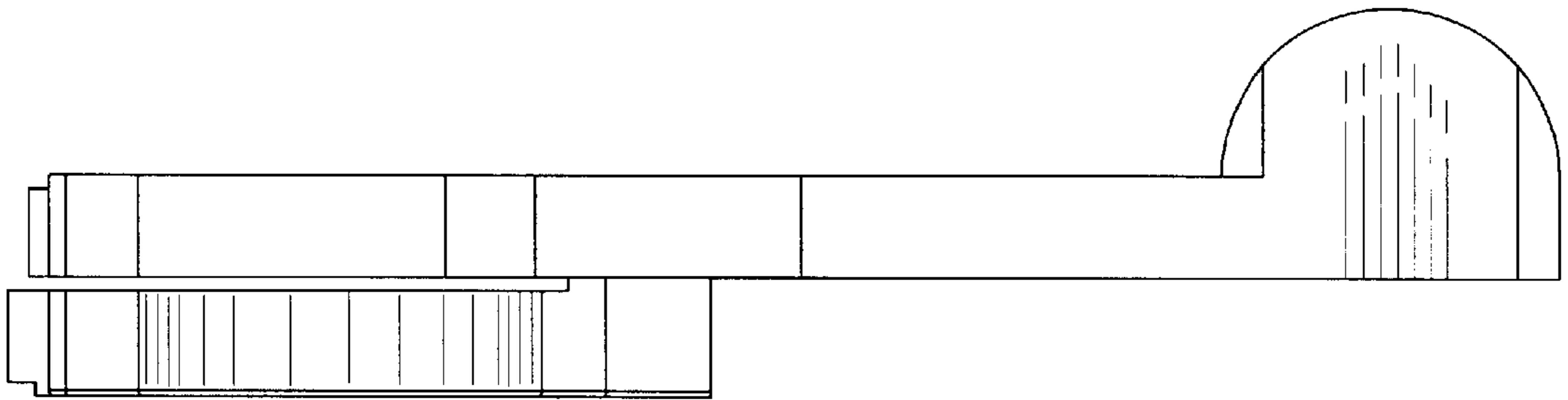
*FIG. 1*



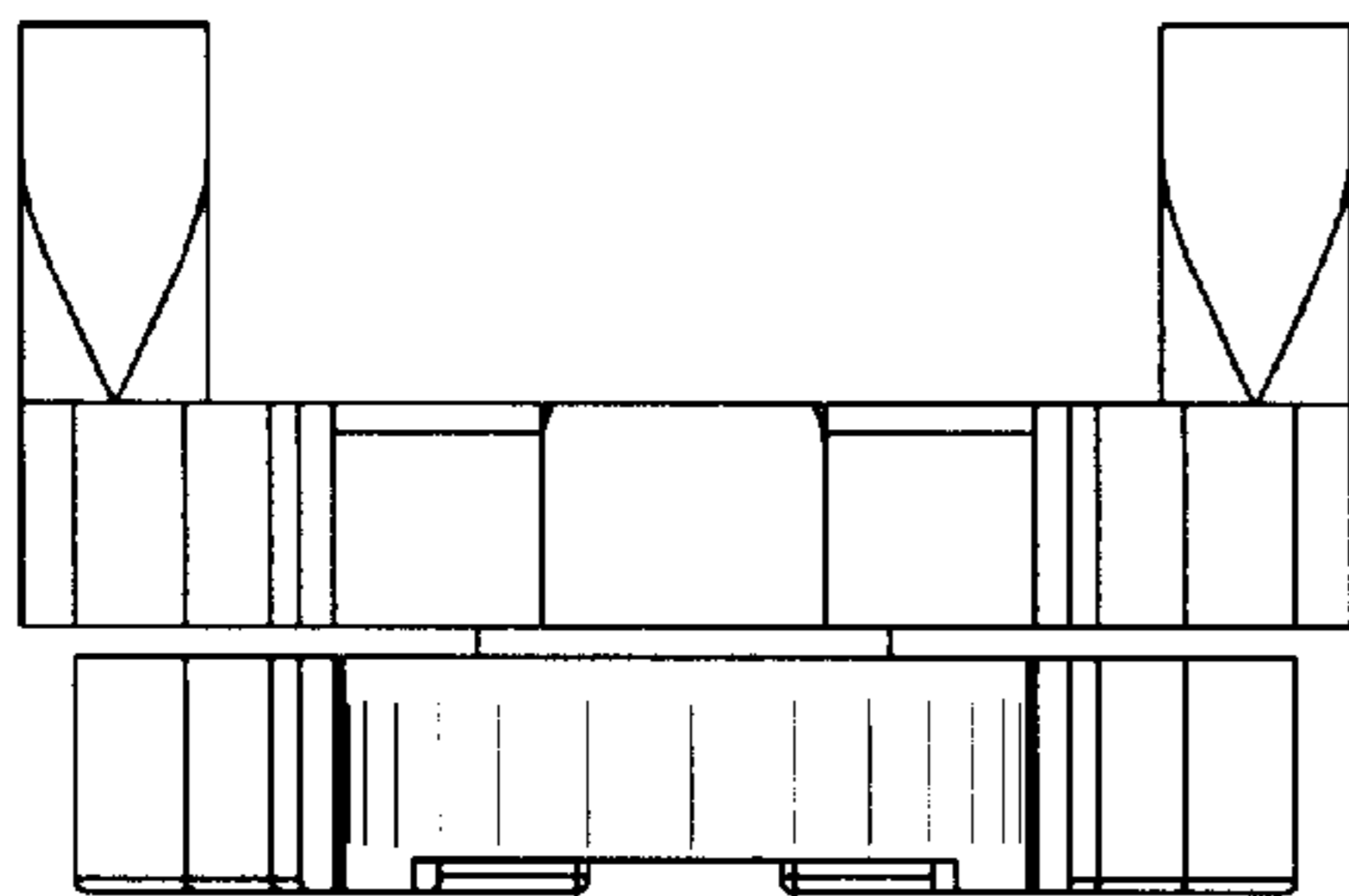
*FIG. 2*



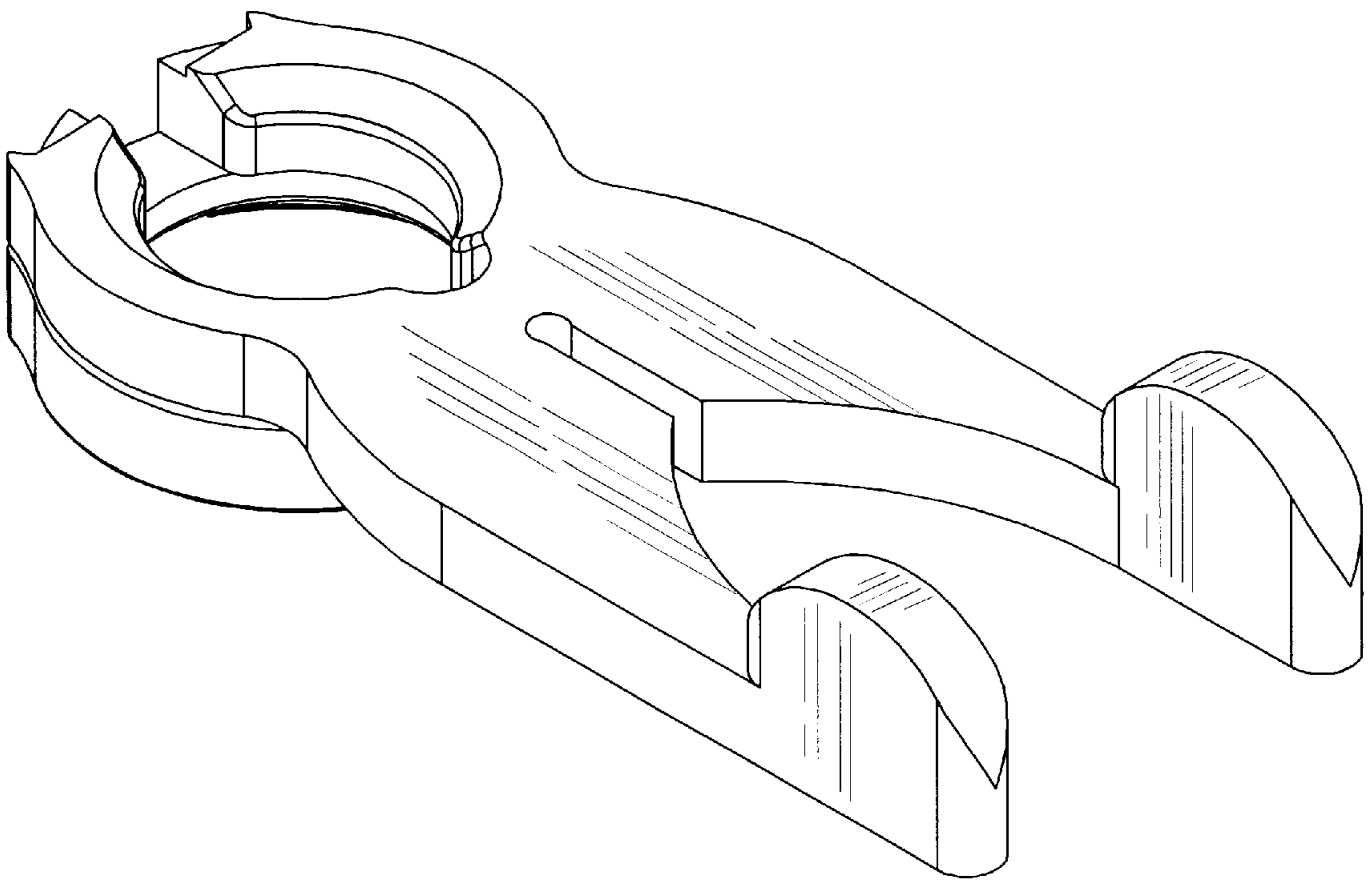
*FIG. 3*



*FIG. 4*



*FIG. 5*



*FIG. 6*