



US00D459806S

(12) **United States Design Patent**
Webb

(10) **Patent No.:** **US D459,806 S**

(45) **Date of Patent:** **** Jul. 2, 2002**

(54) **PATIENT INTERFACE GRIPPER FOR
OPHTHALMIC LASER SURGERY**

(75) Inventor: **R. Kyle Webb**, Escondido, CA (US)

(73) Assignee: **IntraLase Corporation**, Irvine, CA
(US)

(**) Term: **14 Years**

(21) Appl. No.: **29/140,178**

(22) Filed: **Apr. 11, 2001**

(51) **LOC (7) Cl.** **24-02**

(52) **U.S. Cl.** **D24/150; D24/133; D24/143**

(58) **Field of Search** D24/133, 150,
D24/140, 143, 147, 155, 157; 606/107,
166, 4, 1, 5, 99; 623/5.14, 612, 904, 906

(56) **References Cited**

U.S. PATENT DOCUMENTS

D255,715 S	*	7/1980	Markham	D24/143
D349,342 S	*	8/1994	Noy et al.	D24/143
6,068,643 A	*	5/2000	Milverton	606/191

* cited by examiner

Primary Examiner—Ian Simmons

(74) *Attorney, Agent, or Firm*—John W. Eldredge; Stradling
Yocca Carlson & Rauth

(57) **CLAIM**

The ornamental design for the patient interface gripper for
ophthalmic laser surgery, as shown and described.

DESCRIPTION

FIG. 1 is a top plan view of a patient interface gripper for
ophthalmic laser surgery showing my new design;

FIG. 2 is a bottom plan view thereof;

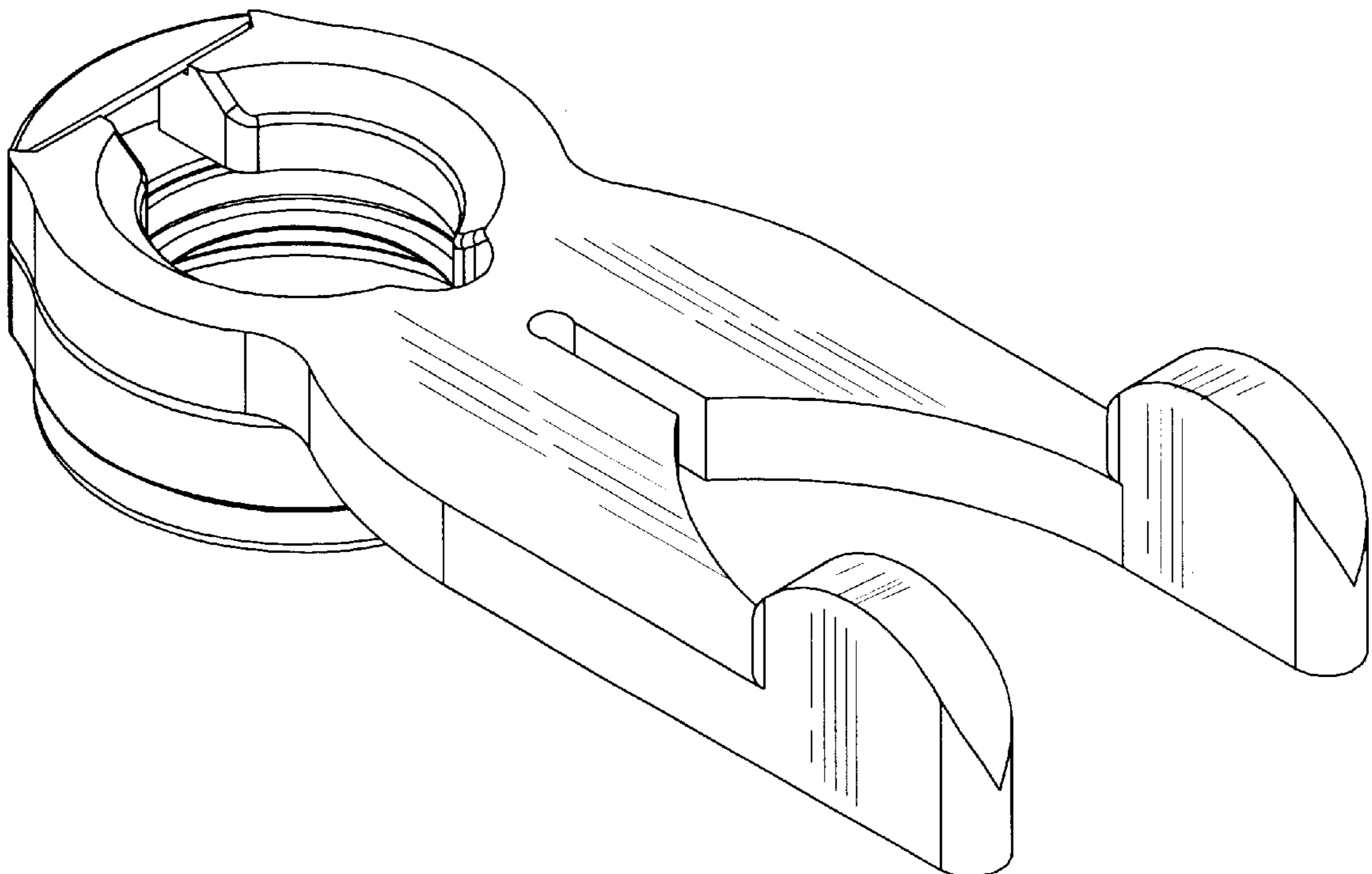
FIG. 3 is a front elevational view thereof;

FIG. 4 is a side elevational view of the left side of the patient
interface gripper for ophthalmic laser surgery oriented as in
FIG. 1;

FIG. 5 is a rear elevational view thereof; and,

FIG. 6 is a left rear perspective view of the patient interface
gripper for ophthalmic laser surgery showing my new
design.

1 Claim, 3 Drawing Sheets



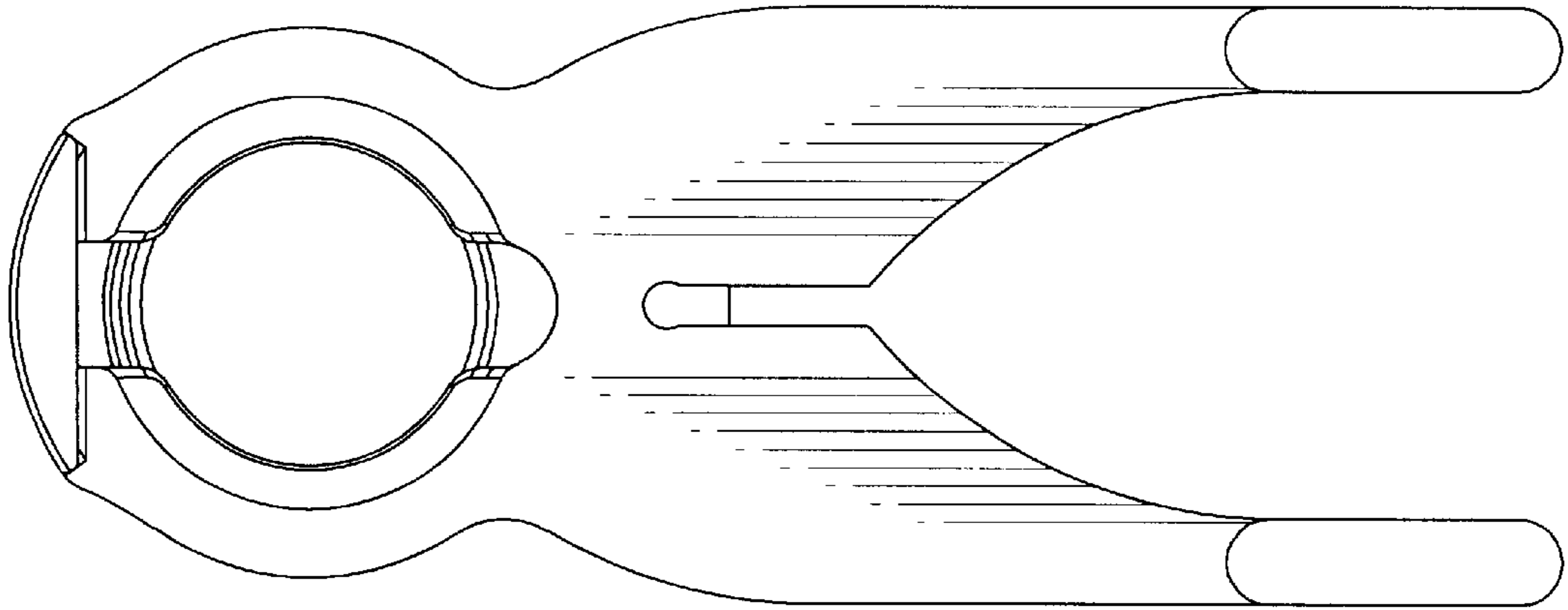


FIG. 1

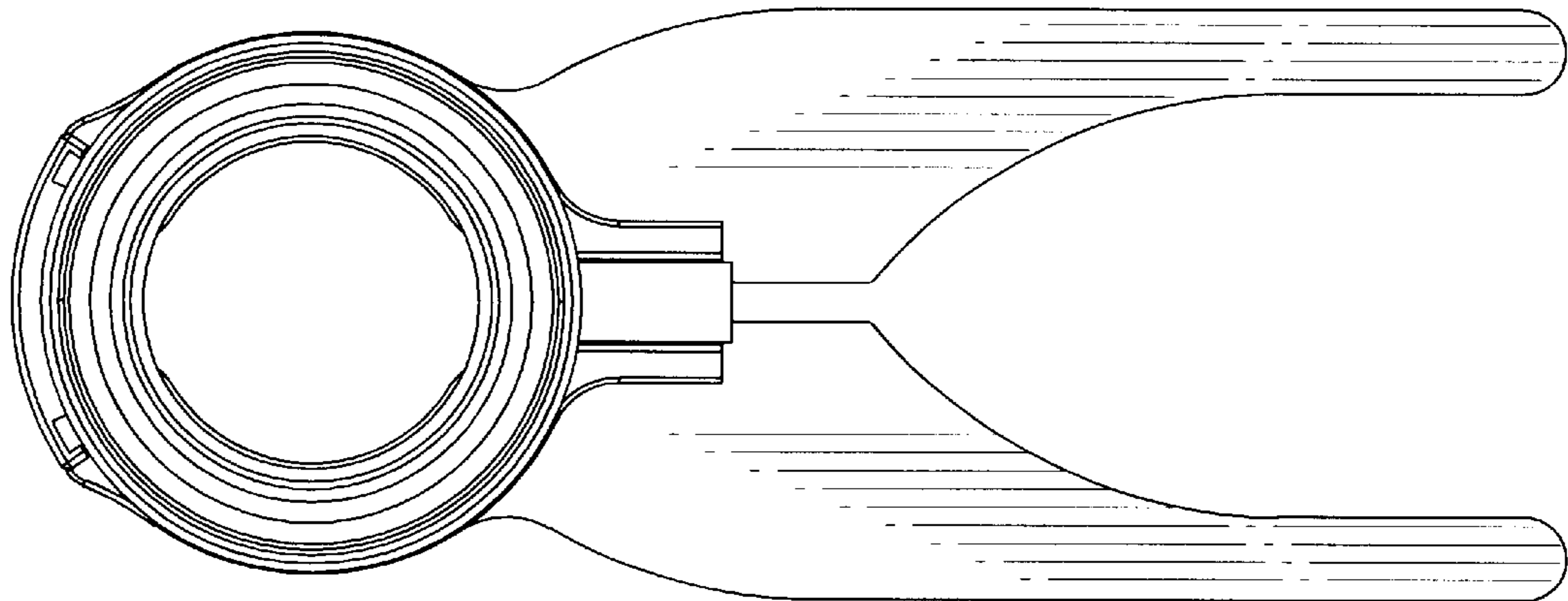


FIG. 2

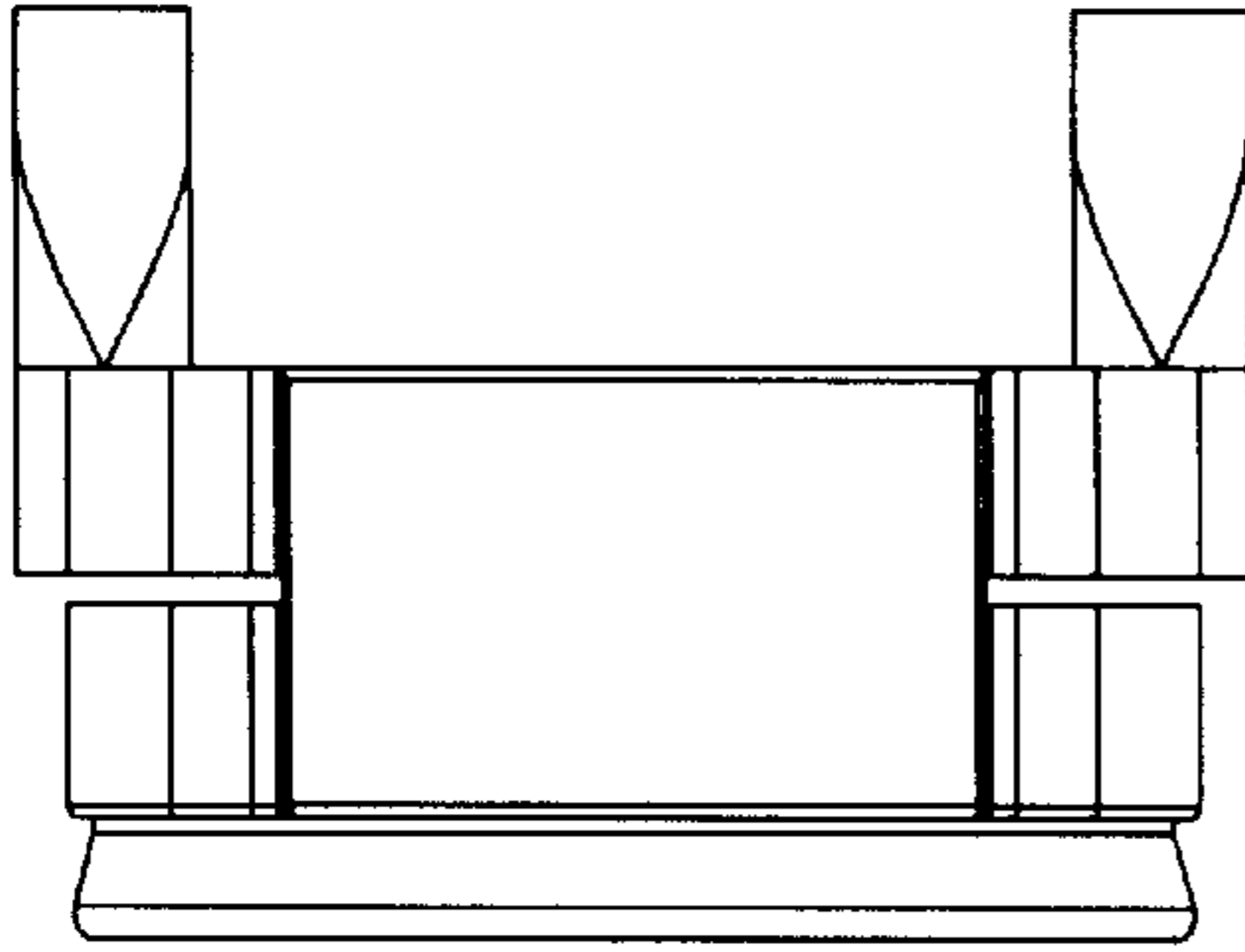


FIG. 3

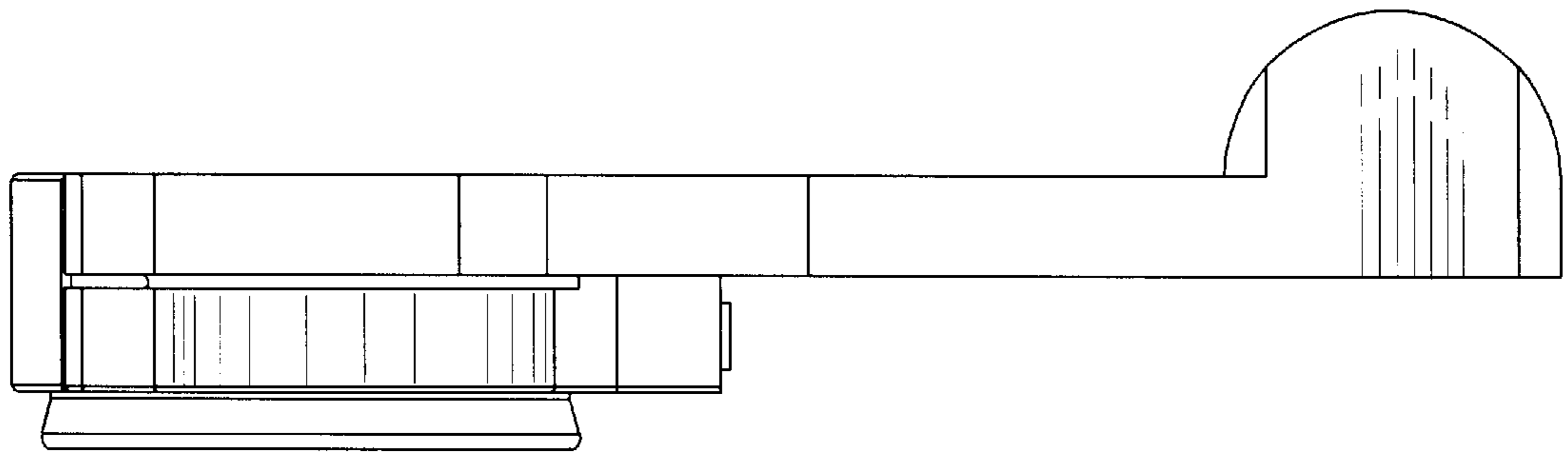


FIG. 4

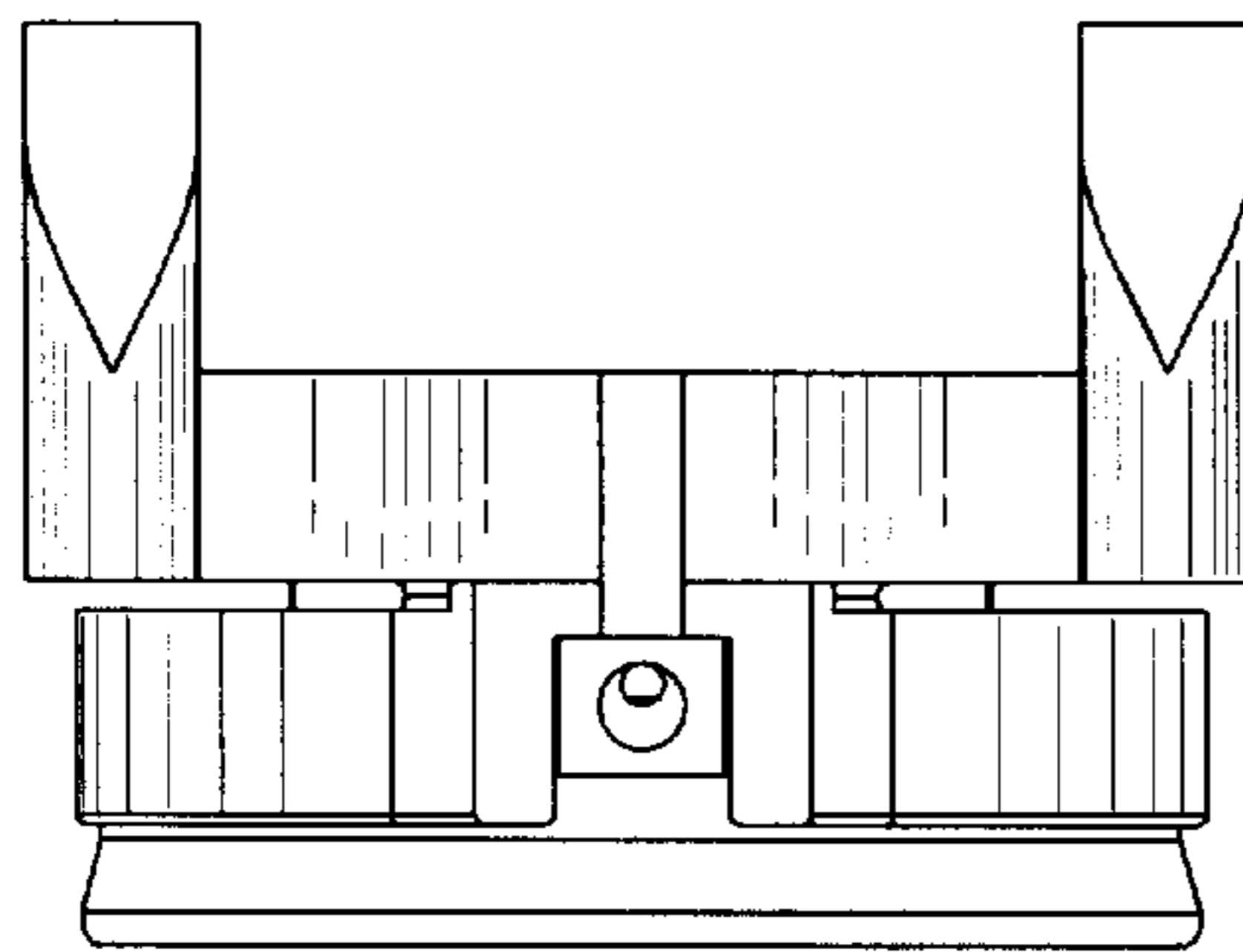


FIG. 5

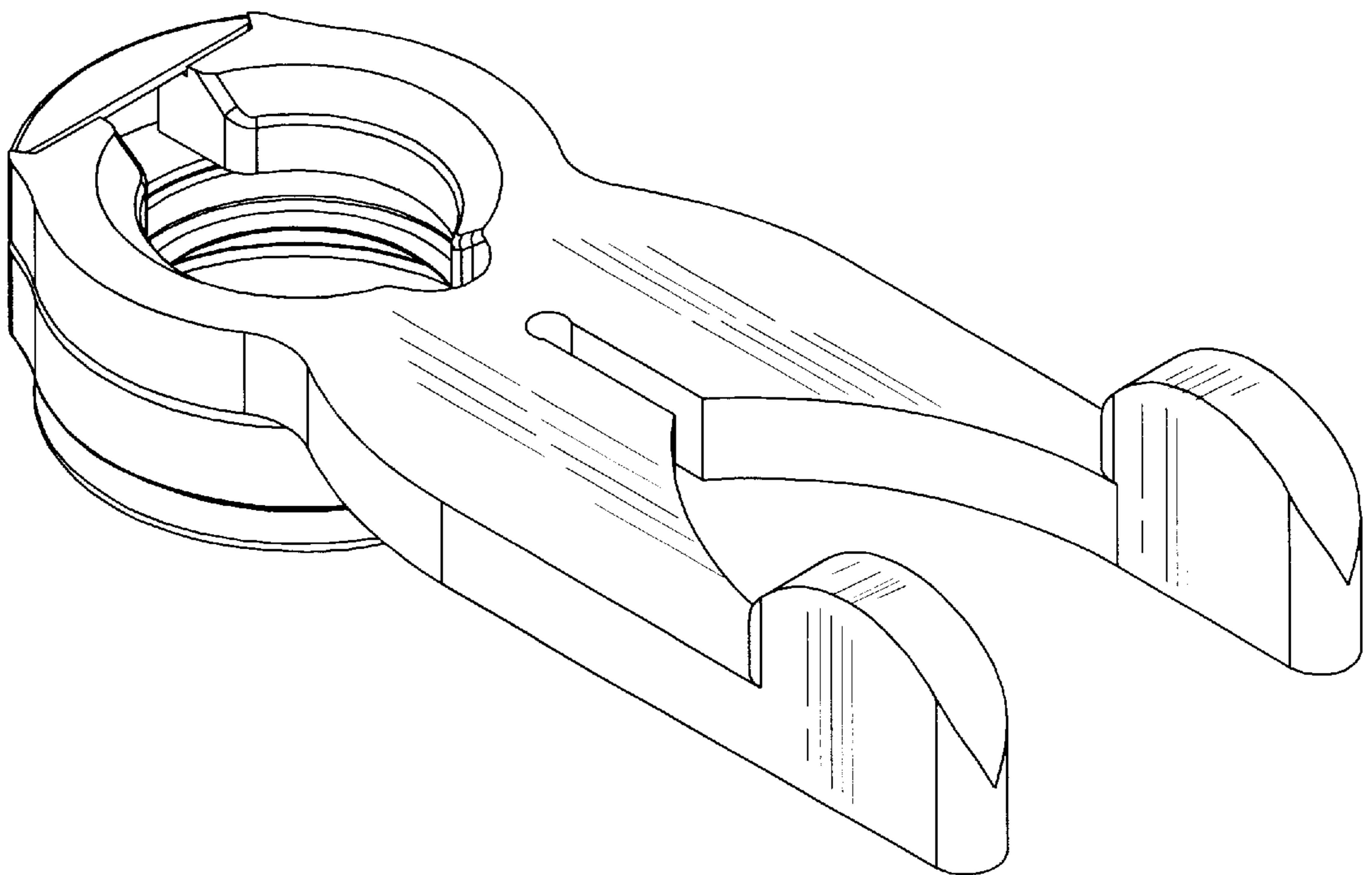


FIG. 6