



US00D459805S

(12) **United States Design Patent**
Pascaloff

(10) **Patent No.:** **US D459,805 S**

(45) **Date of Patent:** **** Jul. 2, 2002**

(54) **SURGICAL SAW BLADE HUB WITH TANGS**

(75) **Inventor:** **John Pascaloff, Keswick, VA (US)**

(73) **Assignee:** **Microaire Surgical Instruments, Inc., Charlottesville, VA (US)**

(**) **Term:** **14 Years**

(21) **Appl. No.:** **29/096,175**

(22) **Filed:** **Nov. 6, 1998**

(51) **LOC (7) Cl.** **24-02**

(52) **U.S. Cl.** **D24/146**

(58) **Field of Search** D24/146; 606/176,
606/177, 178, 179, 79, 82

(56) **References Cited**

U.S. PATENT DOCUMENTS

| | | | | | | |
|-----------|---|---|---------|-----------------|-------|----------|
| 5,122,142 | A | * | 6/1992 | Pascaloff | | 606/82 |
| D343,247 | S | * | 1/1994 | Walén | | D24/146 |
| 5,392,910 | A | * | 2/1995 | Bell et al. | | 206/363 |
| D360,946 | S | * | 8/1995 | Goris | | D24/146 |
| D362,065 | S | * | 9/1995 | Goris | | D24/146 |
| 5,496,316 | A | * | 3/1996 | Goris | | 606/176 |
| 5,694,693 | A | * | 12/1997 | Hutchins et al. | | 30/166.3 |

| | | | | | | |
|-----------|---|---|--------|-----------------|-------|---------|
| 5,735,866 | A | * | 4/1998 | Adams et al. | | 606/178 |
| D394,315 | S | * | 5/1998 | Fisher | | D24/146 |
| D405,177 | S | * | 2/1999 | Hutchins et al. | | D24/146 |

* cited by examiner

Primary Examiner—Louis S. Zarfás

Assistant Examiner—Ian Simmons

(74) *Attorney, Agent, or Firm*—McGuire Woods LLP

(57) **CLAIM**

I claim the ornamental design for a surgical saw blade hub with tangs, as shown.

DESCRIPTION

FIG. 1 is a top plan view (the bottom plan view being a mirror image) of a surgical saw blade hub with tangs;

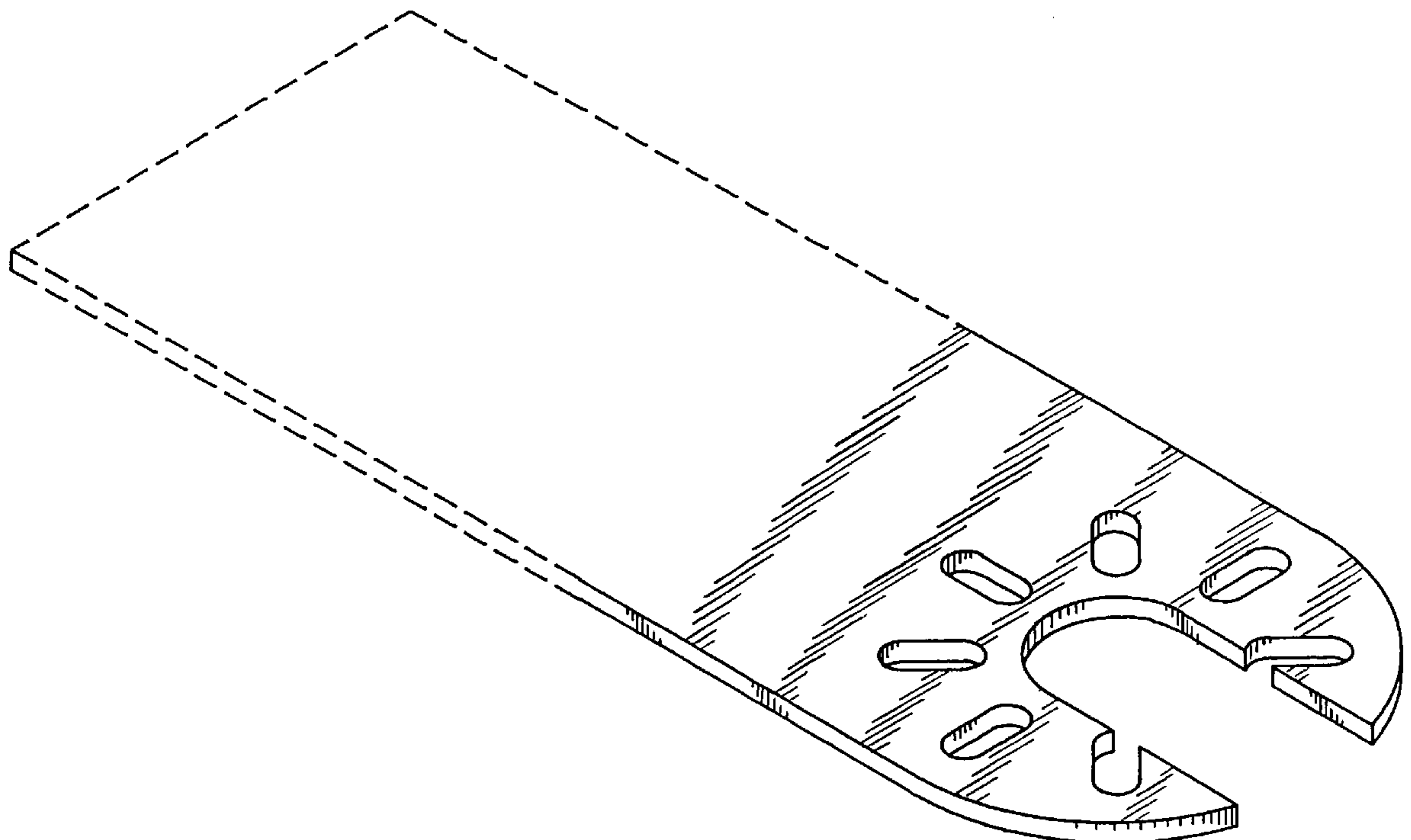
FIG. 2 is a side elevational view of the surgical saw blade hub with tangs;

FIG. 3 is a front elevational view of the surgical saw blade hub with tangs; and,

FIG. 4 is a top perspective view of the surgical saw blade hub with tangs.

The broken line showing is for illustrative purposes only and forms no part of the claimed design.

1 Claim, 3 Drawing Sheets



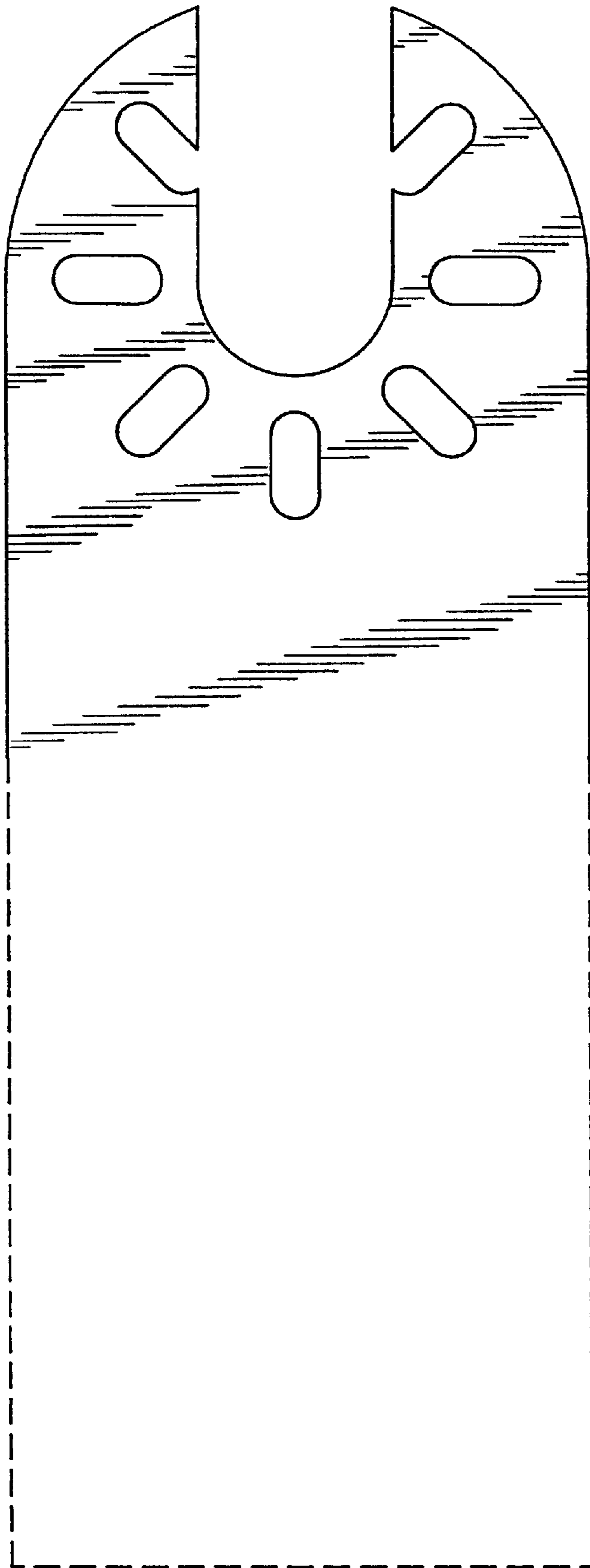


FIG.1

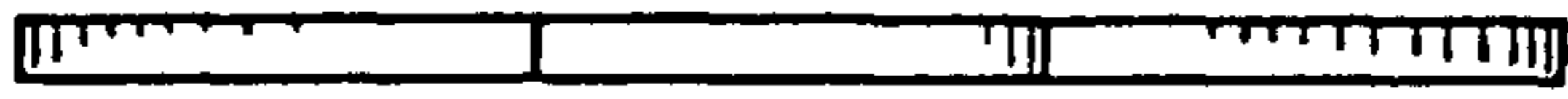


FIG. 2



FIG. 3

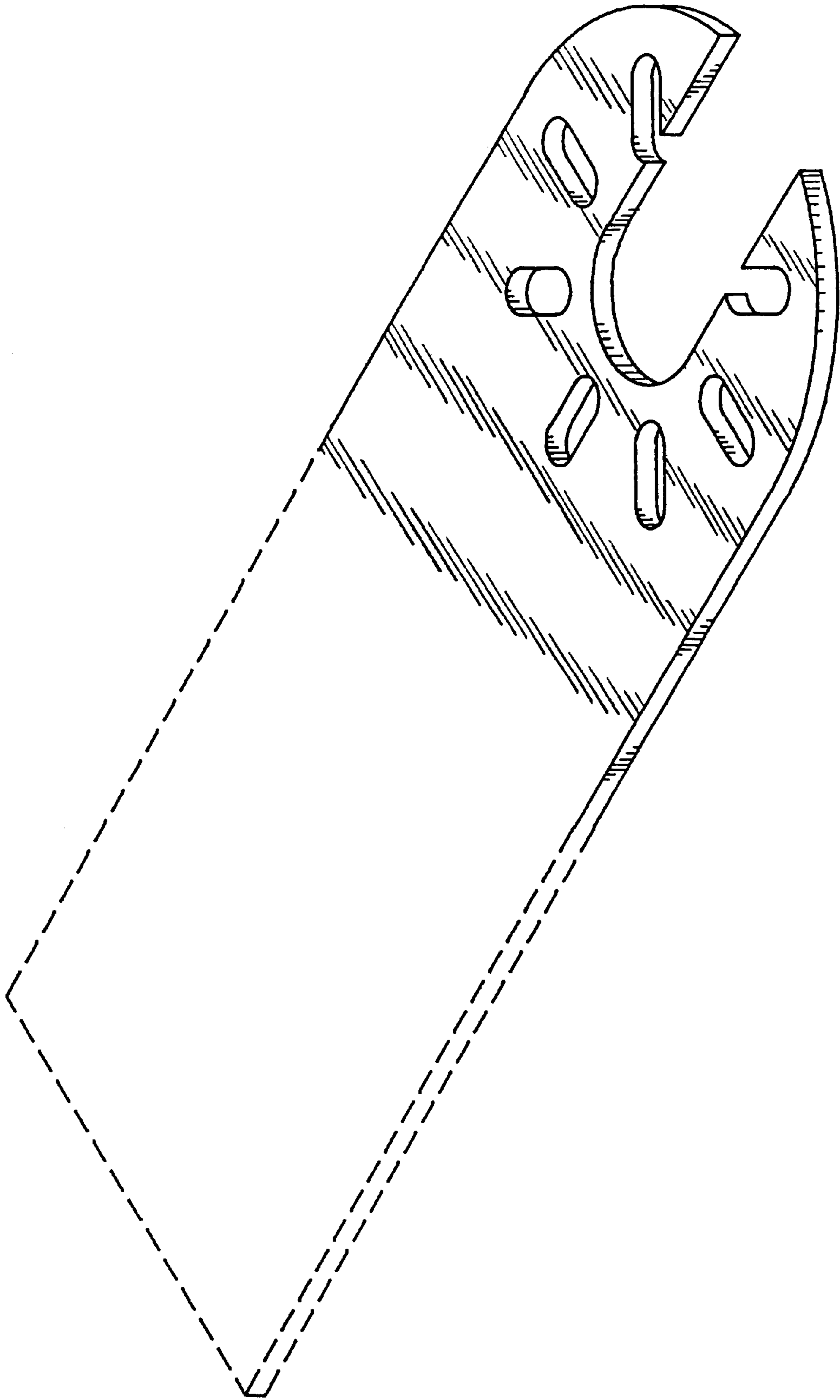


FIG.4