



US00D459802S

(12) **United States Design Patent**  
**Cindrich**

(10) **Patent No.:** **US D459,802 S**

(45) **Date of Patent:** **\*\* Jul. 2, 2002**

(54) **INTEGRATED CATHETER**

(75) **Inventor:** **Christopher N. Cindrich**, South Jordan, UT (US)

(73) **Assignee:** **Becton, Dickinson and Company**, Franklin Lakes, NJ (US)

(\*\*) **Term:** **14 Years**

(21) **Appl. No.:** **29/142,443**

(22) **Filed:** **May 25, 2001**

(51) **LOC (7) Cl.** ..... **24-02**

(52) **U.S. Cl.** ..... **D24/130**

(58) **Field of Search** ..... D24/130, 112, D24/146; 604/179, 180, 177, 164.01, 174, 167.02, 192, 198, 158, 166.01, 164.02, 164.04, 164.07, 164.09

(56) **References Cited**

**U.S. PATENT DOCUMENTS**

- 4,496,348 A \* 1/1985 Genese et al. .... 604/167.02
- 5,697,914 A \* 12/1997 Brimhall ..... 604/177
- D395,501 S \* 6/1998 Erskine et al. .... D24/112
- 6,086,564 A \* 7/2000 McLaughlin ..... 604/179

\* cited by examiner

*Primary Examiner*—Ian Simmons

(74) *Attorney, Agent, or Firm*—James J. Murtha; Eric M. Lee

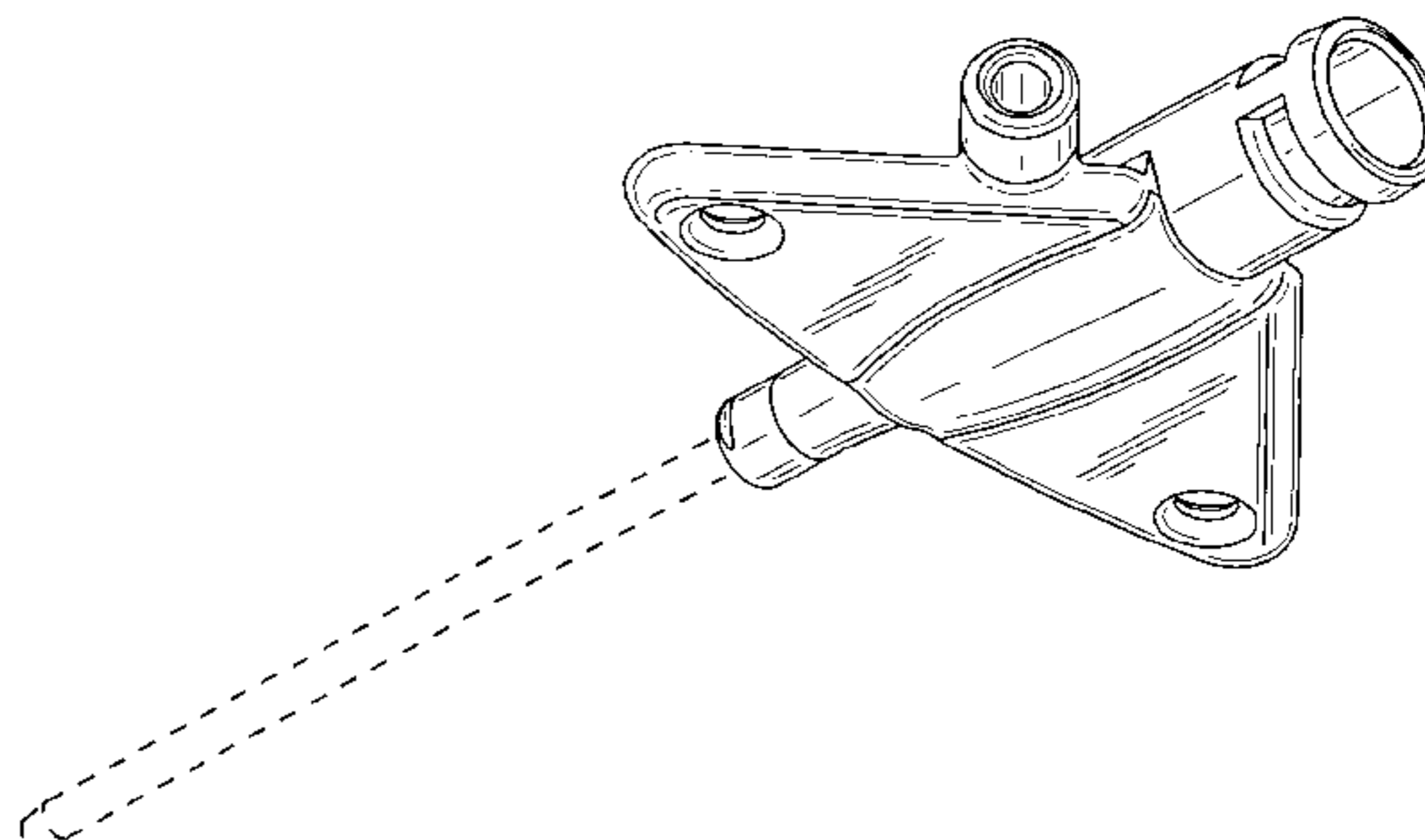
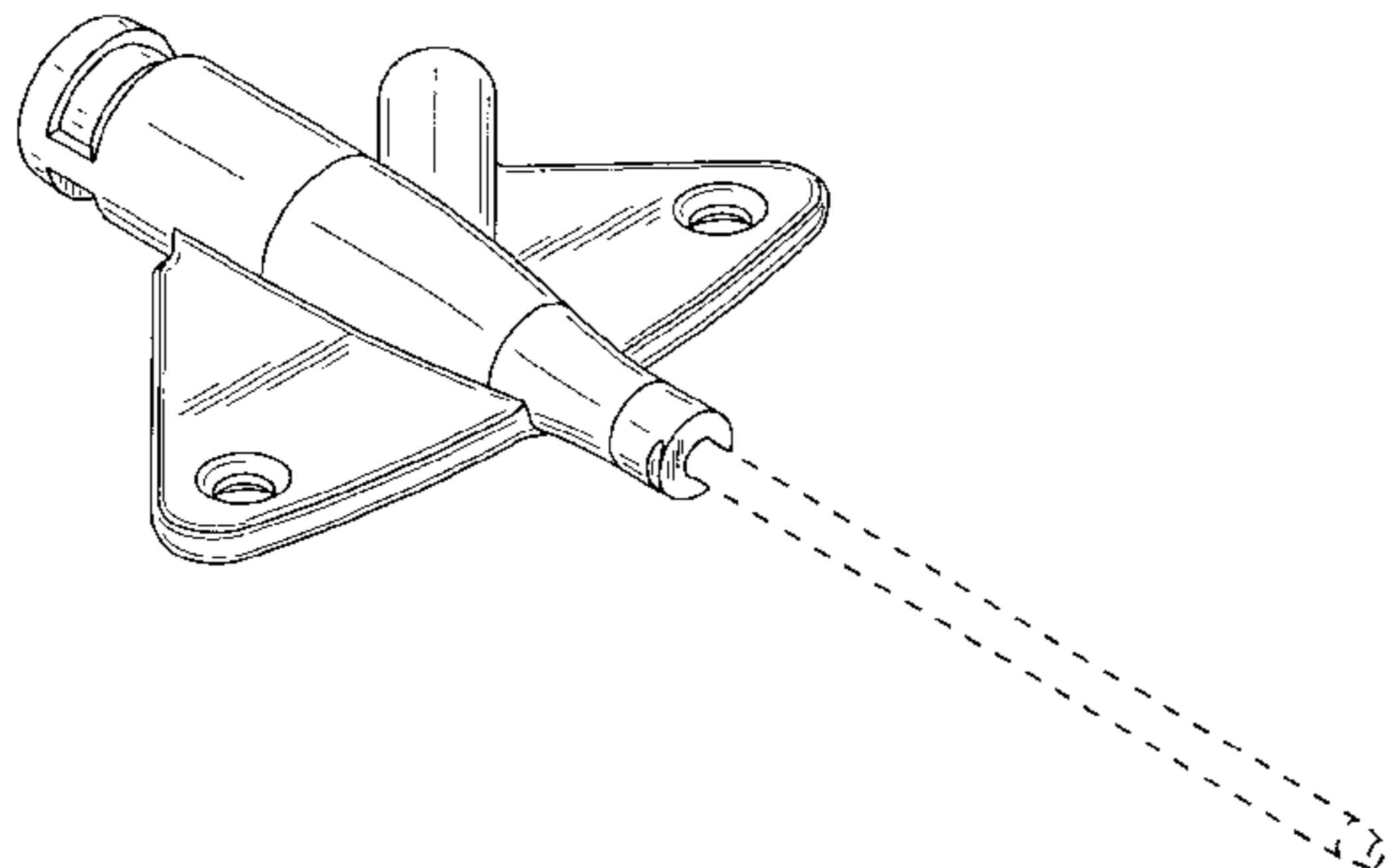
(57) **CLAIM**

The ornamental design for an integrated catheter, as shown and described.

**DESCRIPTION**

FIG. 1 is a perspective view of an integrated catheter showing my design;  
 FIG. 2 is a bottom perspective view of the catheter of FIG. 1;  
 FIG. 3 is a front elevational view of the catheter of FIG. 1;  
 FIG. 4 is a rear elevational view of the catheter of FIG. 1;  
 FIG. 5 is a top plan view of the catheter of FIG. 1;  
 FIG. 6 is a right-side elevational view of the catheter of FIG. 1;  
 FIG. 7 is a left-side elevational view of the catheter of FIG. 1; and,  
 FIG. 8 is a bottom plan view of the catheter of FIG. 1.  
 The broken line showing in FIGS. 1 through 8 are for illustrative purposes only and forms no part of the claimed design.

**1 Claim, 5 Drawing Sheets**



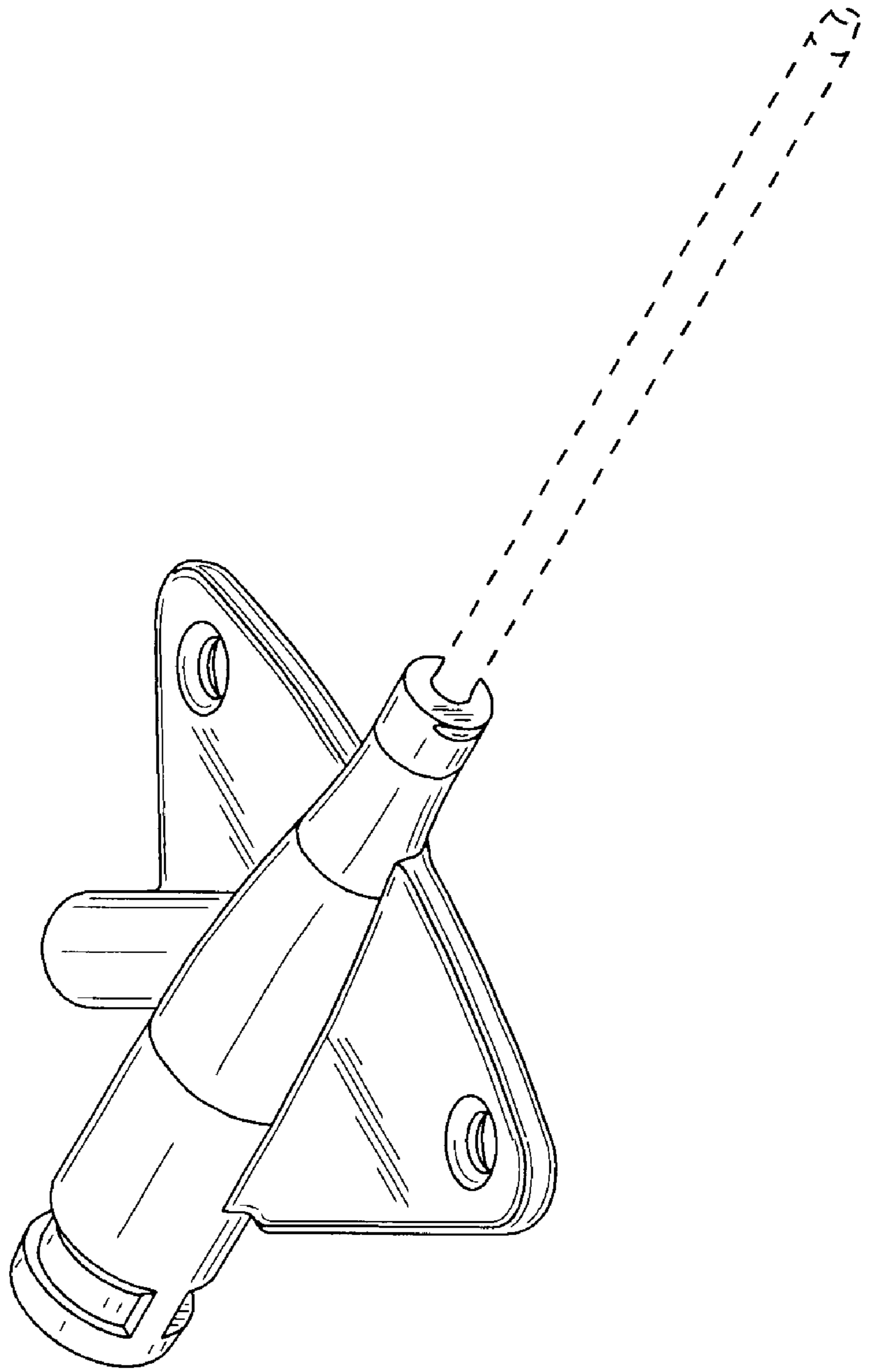


FIG. 1

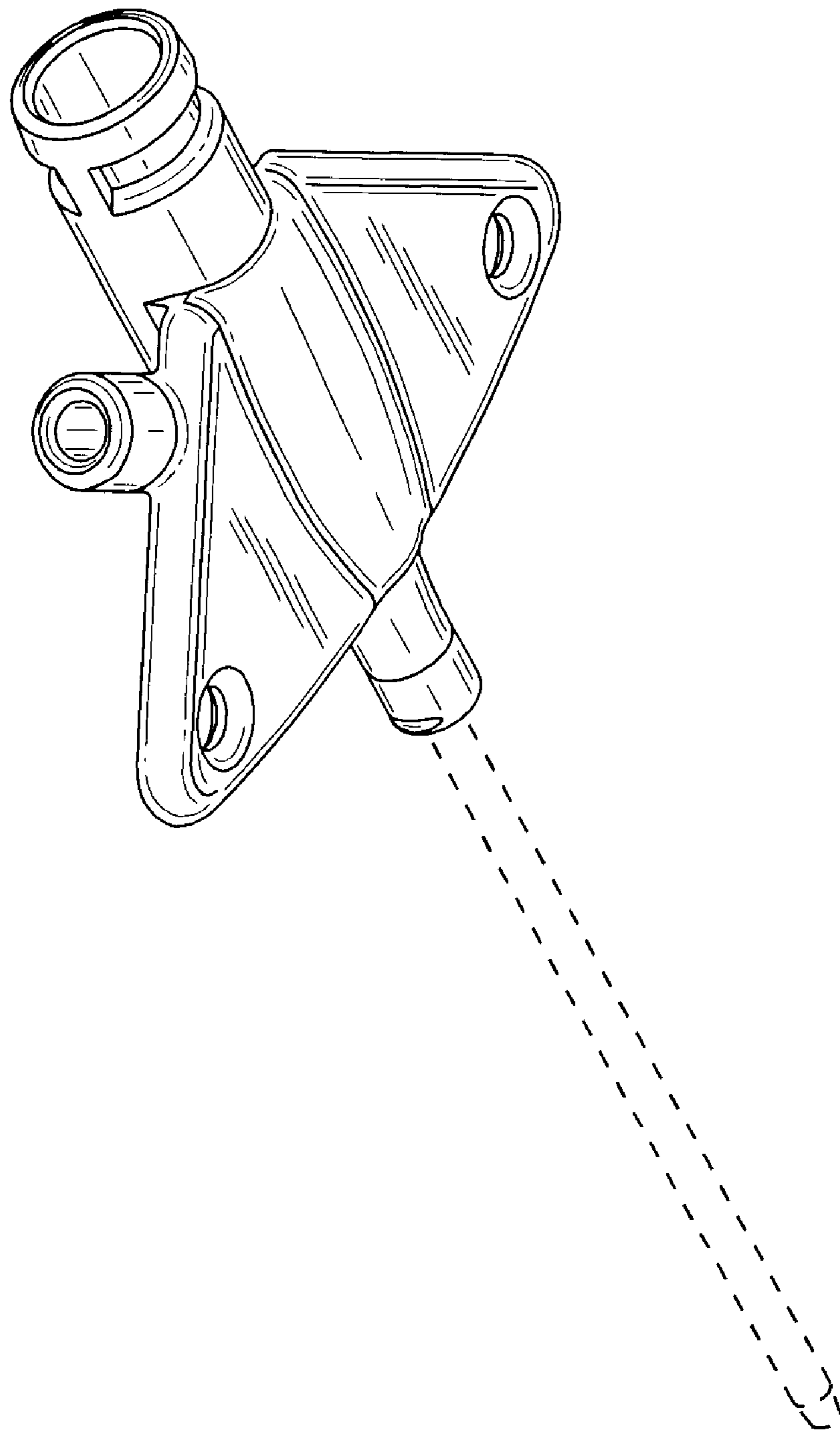


FIG. 2

FIG. 3

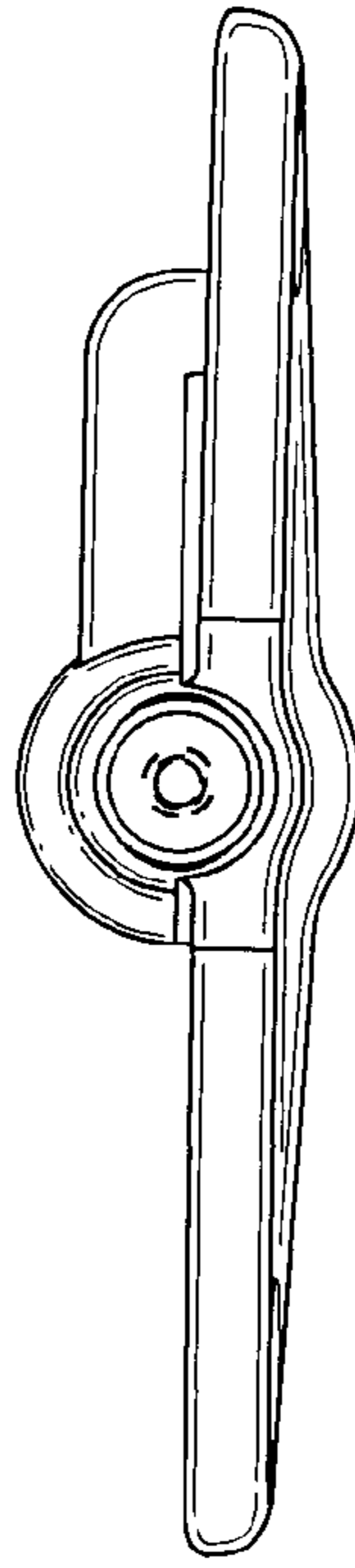
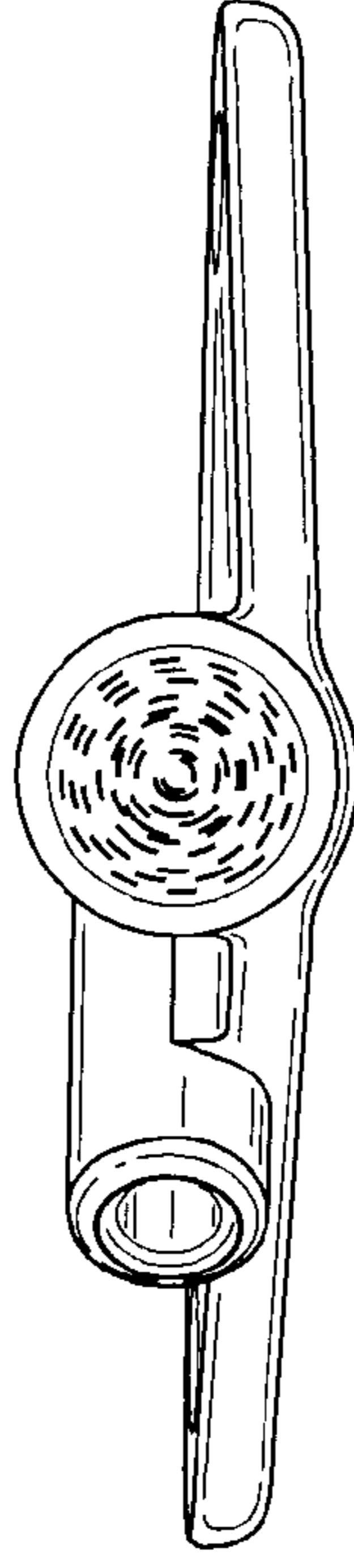


FIG. 4



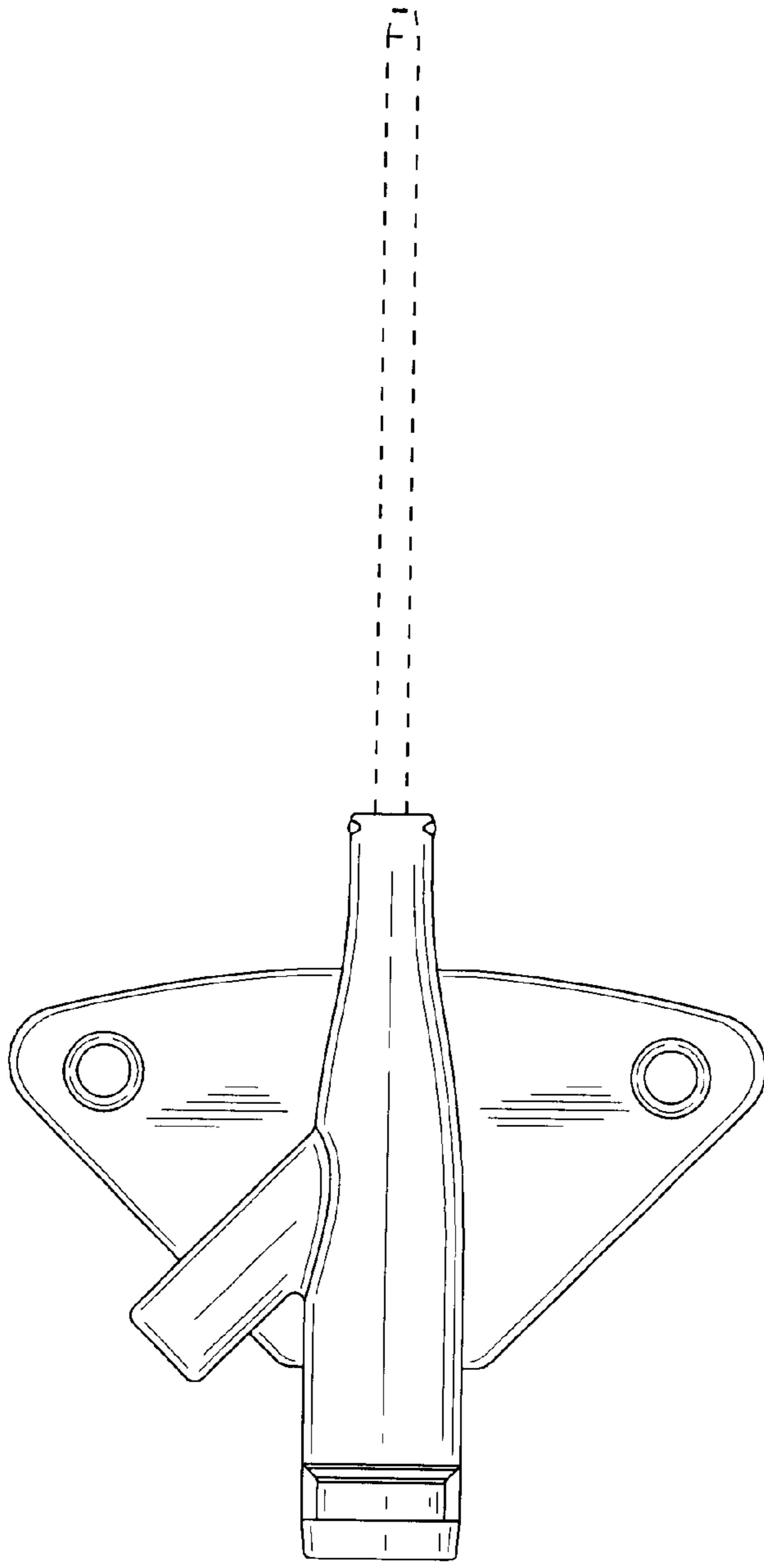


FIG. 5

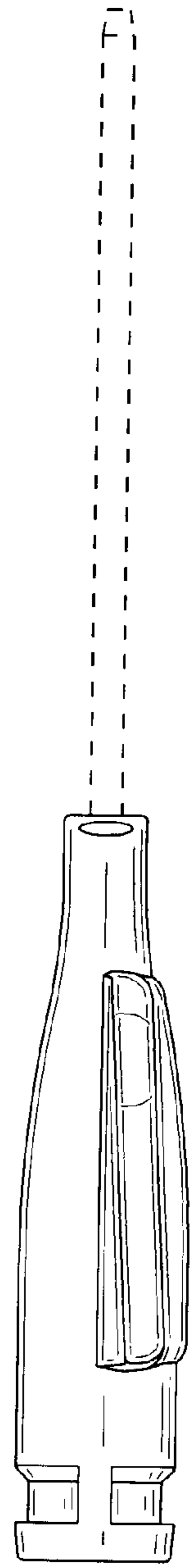


FIG. 6

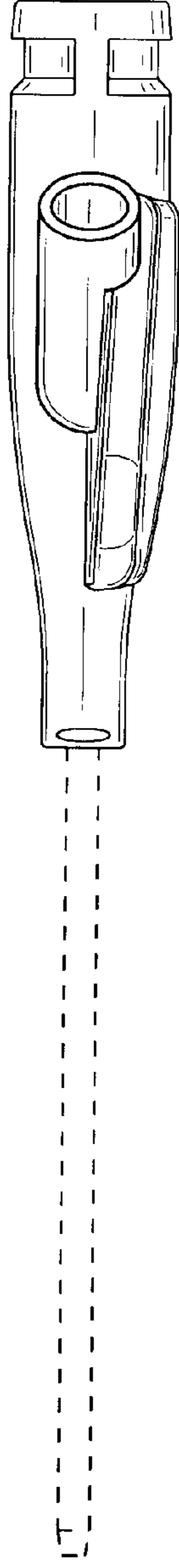


FIG. 7

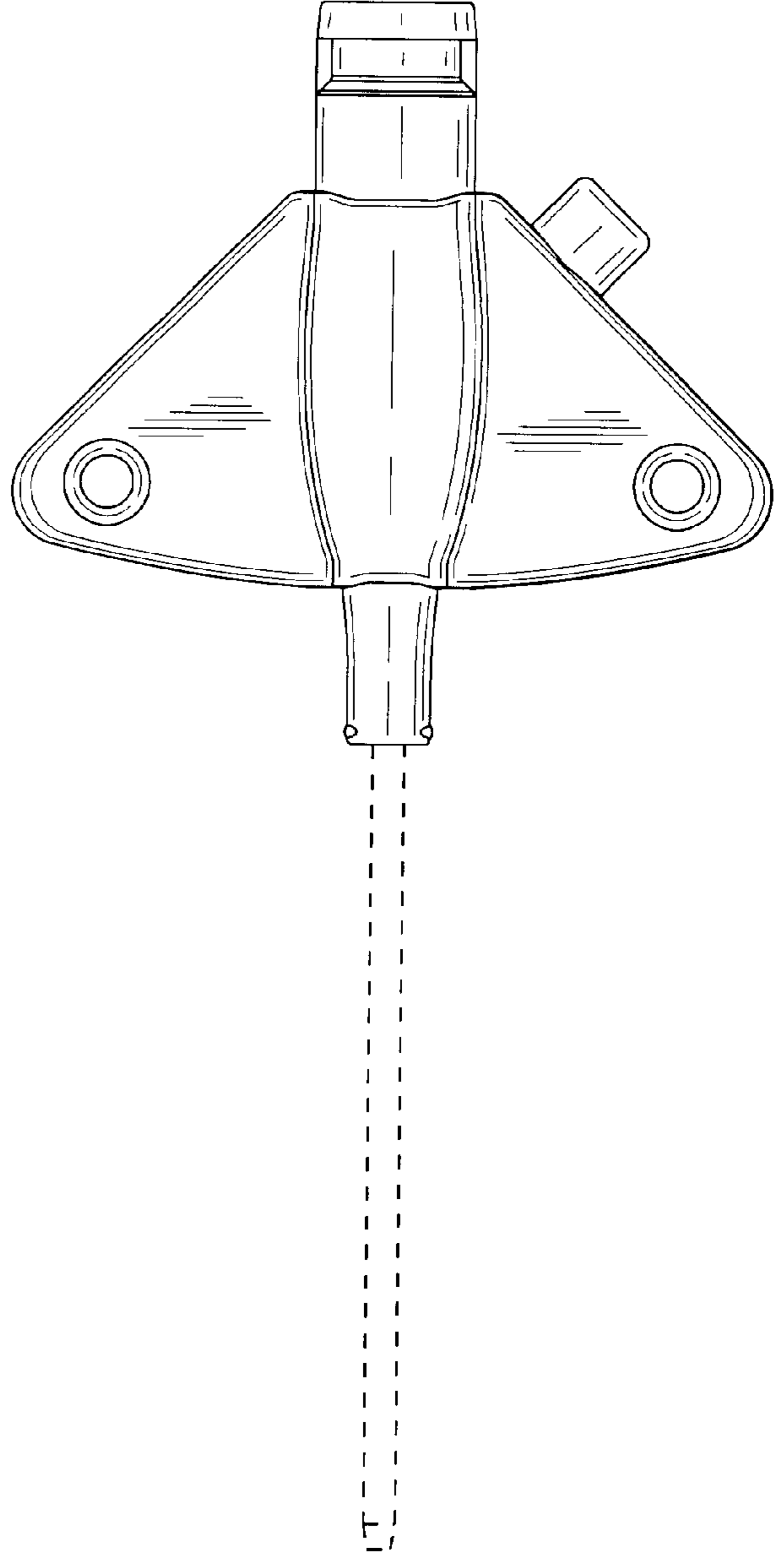


FIG. 8