



US00D459796S

(12) **United States Design Patent** (10) **Patent No.:** **US D459,796 S**
Moreno (45) **Date of Patent:** **** Jul. 2, 2002**

- (54) **PORTABLE ELECTRIC FAN**
- (75) Inventor: **Eleobardo Moreno**, St. John, IN (US)
- (73) Assignee: **Lakewood Engineering and Manufacturing Co.**, Chicago, IL (US)
- (**) Term: **14 Years**
- (21) Appl. No.: **29/146,540**
- (22) Filed: **Aug. 10, 2001**
- (51) **LOC (7) Cl.** **23-04**
- (52) **U.S. Cl.** **D23/382**
- (58) **Field of Search** D23/382, 381,
D23/378, 411, 412; 416/246 R, 247 R;
248/676

5,609,473 A 3/1997 Litvin
D387,152 S 12/1997 Jané et al.

(List continued on next page.)

OTHER PUBLICATIONS

U.S. Trademark Reg. No. 1,697,509; Registered Jun. 30, 1993; Owner: Vornado Air Circulation Systems, Inc. for: Electric Fans in Class 11.
 Product Catalog entitled "Fans", Lakewood Engineering & Mfg. Co., (20 pages), Nov. 1998.
 Product Catalog entitled "Fans", Lakewood Engineering & Mfg. Co., (20 pages) Jan. 2001.
 Product Catalog entitled, "Portable Air Circulators", Lasko Metal Products, Feb. 1998.
 Product Literature of a Holmes Convertible and Oscillating Fans, 15 pages (two-sided). ©1997.

(56) **References Cited**

U.S. PATENT DOCUMENTS

2,100,994 A	11/1937	Cohen	
2,154,313 A	4/1939	McMahan	
D142,260 S	8/1945	Lee	
D159,692 S	* 8/1950	Steinhart D23/382
2,554,602 A	5/1951	Sutton	
2,652,974 A	9/1953	Pettel	
2,805,820 A	9/1957	Evarts	
3,173,478 A	3/1965	Maycen	
3,446,429 A	5/1969	Suzuki et al.	
4,120,615 A	10/1978	Keem et al.	
4,486,144 A	12/1984	Hung	
4,838,151 A	6/1989	Shin-Chin	
4,872,399 A	10/1989	Chaney	
D312,124 S	11/1990	Coup et al.	
5,118,252 A	6/1992	Chaney	
D329,089 S	9/1992	Coup et al.	
D336,512 S	6/1993	Cunning	
D337,819 S	7/1993	Cunning	
RE34,551 E	2/1994	Coup et al.	
D346,019 S	4/1994	Cheslock et al.	
5,342,175 A	8/1994	Patton	
5,382,136 A	1/1995	Wang	
D359,116 S	6/1995	Marvin et al.	
D369,403 S	4/1996	Reveal et al.	
D376,005 S	11/1996	Litvin	

Primary Examiner—Lisa Lichtenstein
(74) *Attorney, Agent, or Firm*—Wallenstein & Wagner, Ltd.

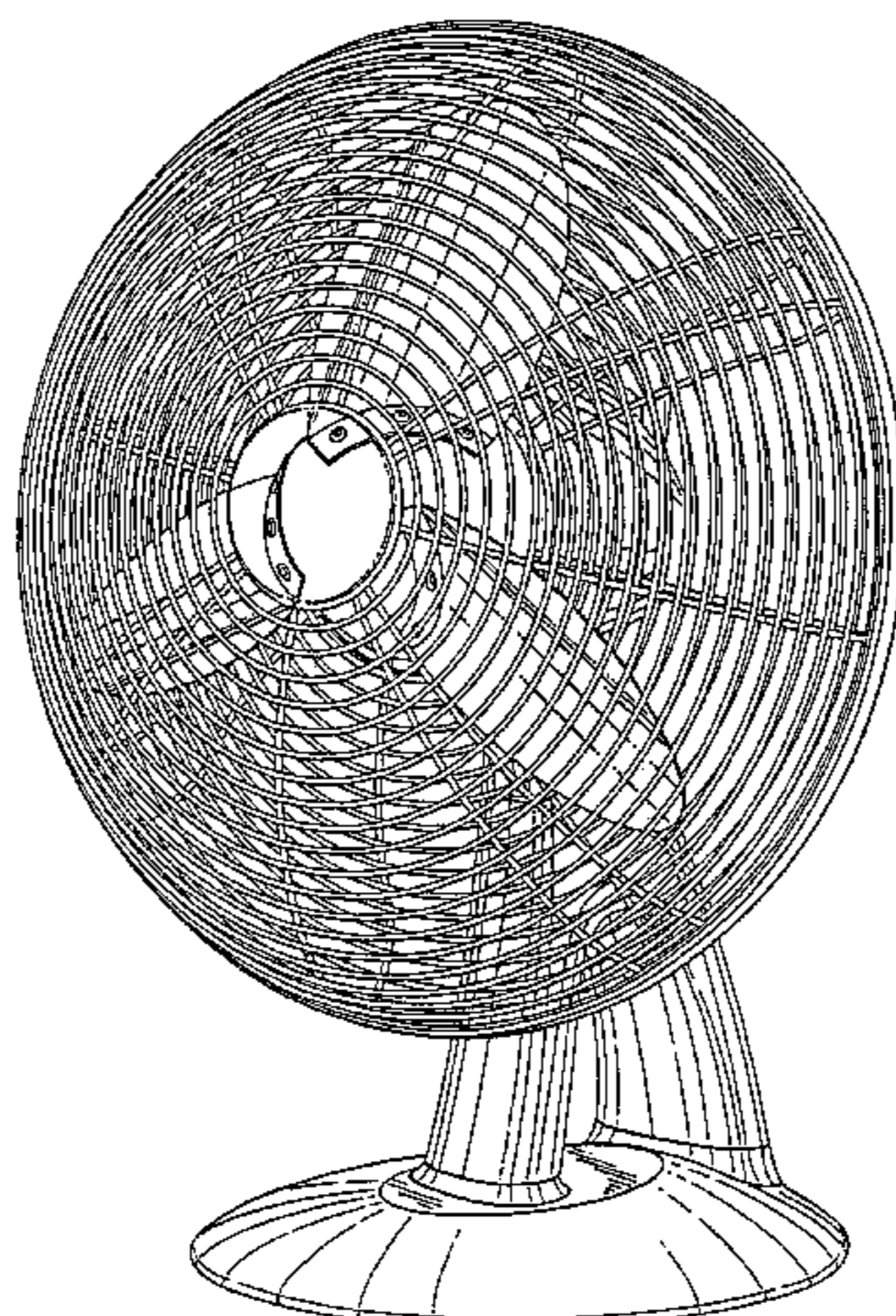
(57) **CLAIM**

The ornamental design for a portable electric fan, as shown and described.

DESCRIPTION

FIG. 1 is a perspective view of the portable electric fan.
 FIG. 2 is the front view of the portable electric fan.
 FIG. 3 is a side view of the portable electric fan.
 FIG. 4 is the rear view of the portable electric fan.
 FIG. 5 is the side view (opposite the side view of FIG. 3) of the portable electric fan.
 FIG. 6 is the top plan view of the portable electric fan.
 FIG. 7 is the bottom plan view of the portable electric fan; and,
 FIG. 8 is a perspective view of an alternative embodiment view of the portable electric fan.
 The broken line showing of environmental structure in FIGS. 1–8 is for illustrative purposes only and forms no part of the claimed design.

1 Claim, 5 Drawing Sheets



US D459,796 S

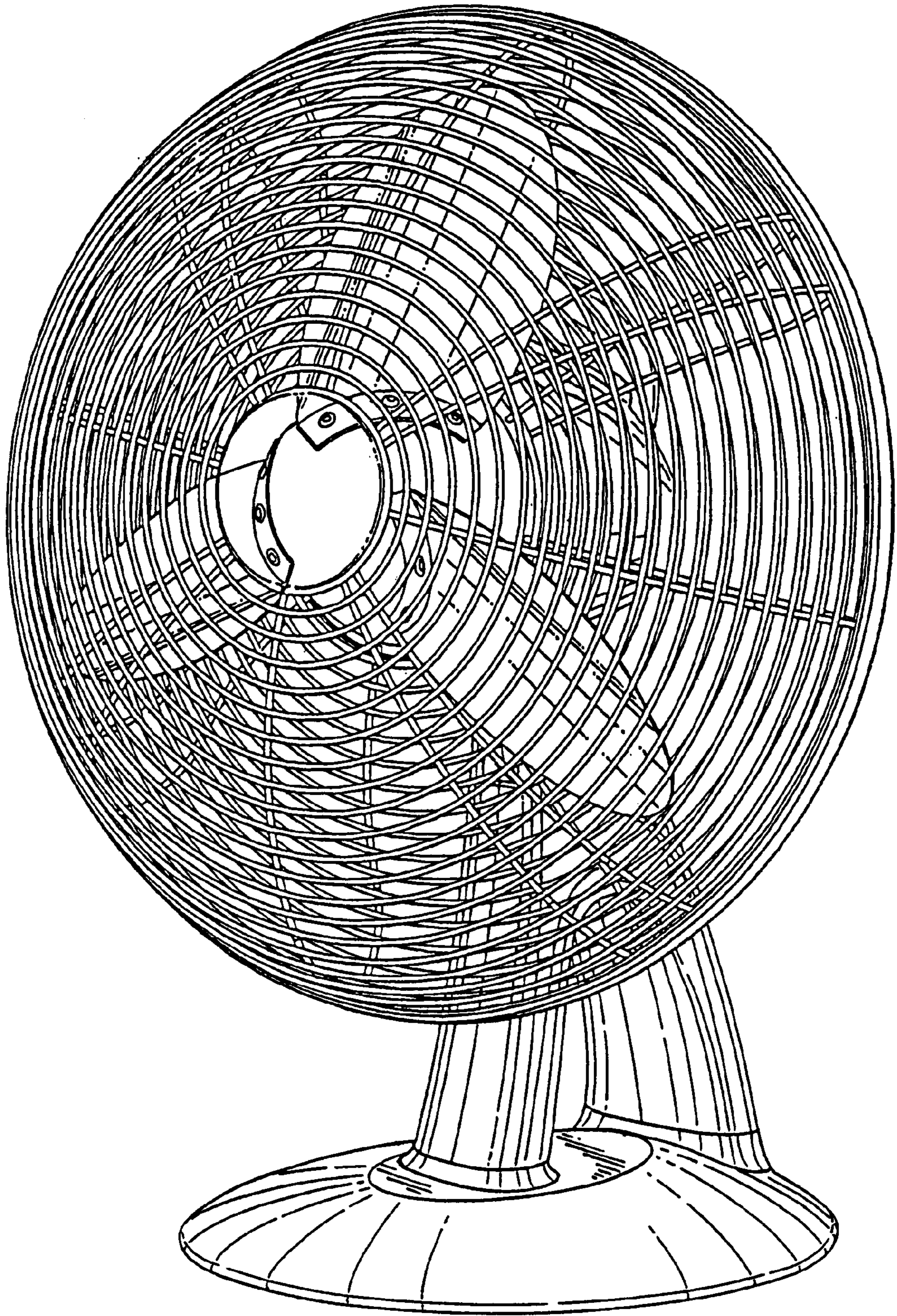
Page 2

U.S. PATENT DOCUMENTS

D388,869 S	1/1998	Wang	5,829,956 A	11/1998	Chen et al.
D389,235 S	1/1998	Jané et al.	D407,478 S	3/1999	Wilson, Jr.
D391,357 S *	2/1998	Chi D23/382	D408,907 S	4/1999	Moreno
D391,631 S	3/1998	Litvin	D413,664 S	9/1999	Keller et al.
D392,735 S	3/1998	Gonzales et al.	D416,996 S	11/1999	Mack
5,730,651 A	3/1998	Chen et al.	D418,218 S *	12/1999	Hsu D23/412
D395,080 S	6/1998	Jané et al.	6,015,265 A	1/2000	Lasko et al.
D396,278 S	7/1998	Gonzales	D420,121 S	2/2000	Felix-Flender
D398,983 S	9/1998	Keller et al.	6,183,204 B1	2/2001	Chang
D400,242 S	10/1998	Litvin	D451,190 S	11/2001	Chen et al.

* cited by examiner

FIG. 1



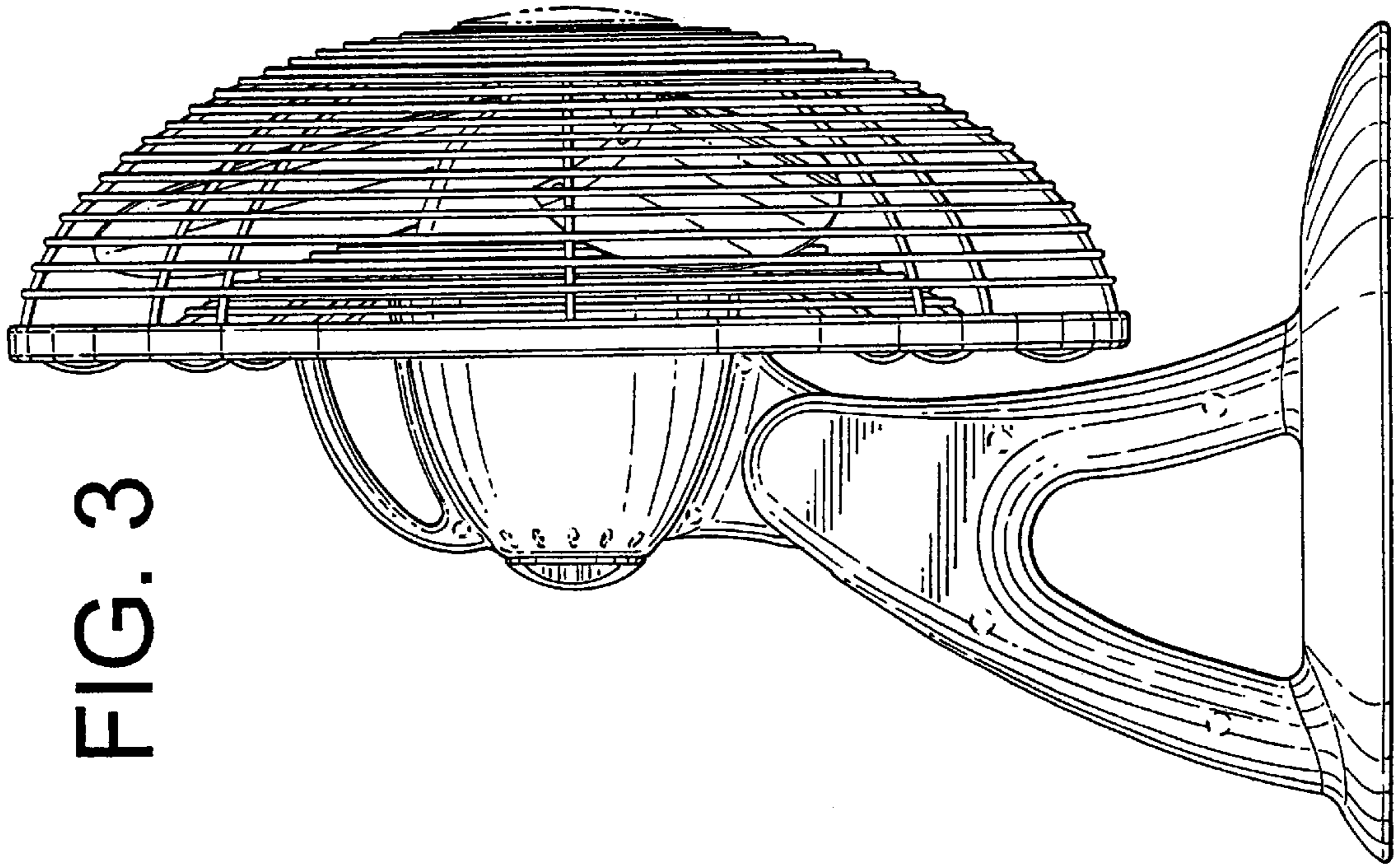


FIG. 3

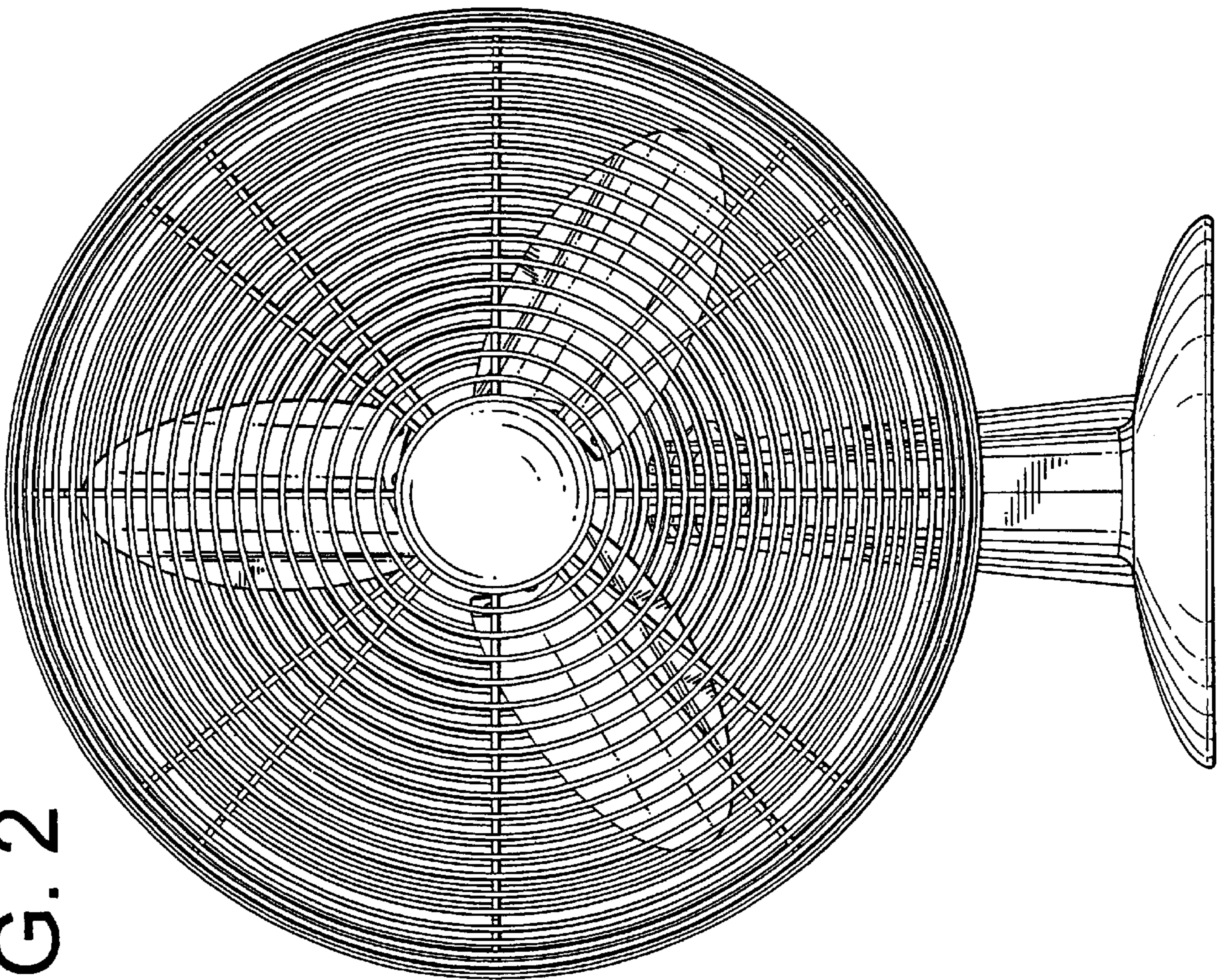


FIG. 2

FIG. 5

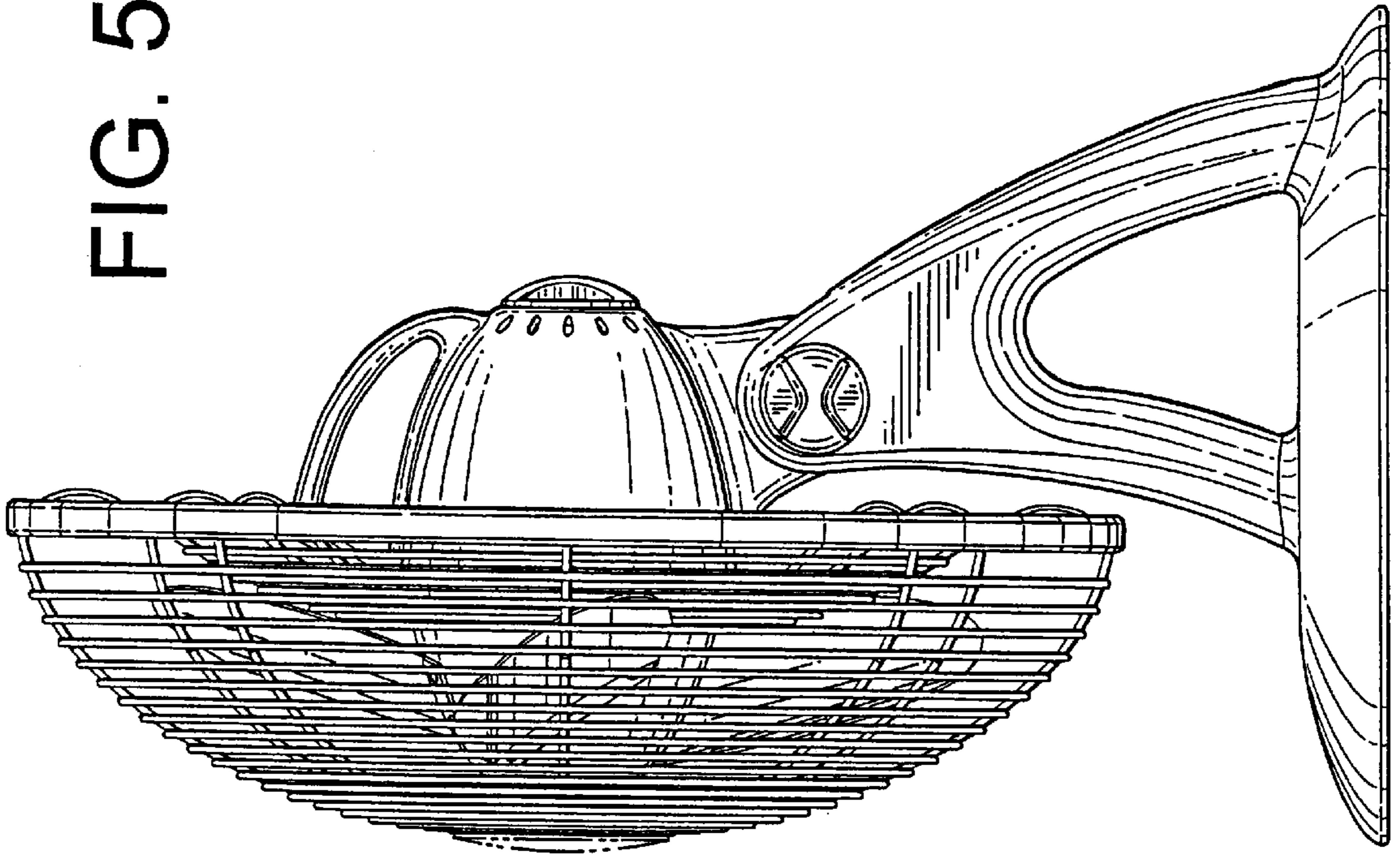


FIG. 4

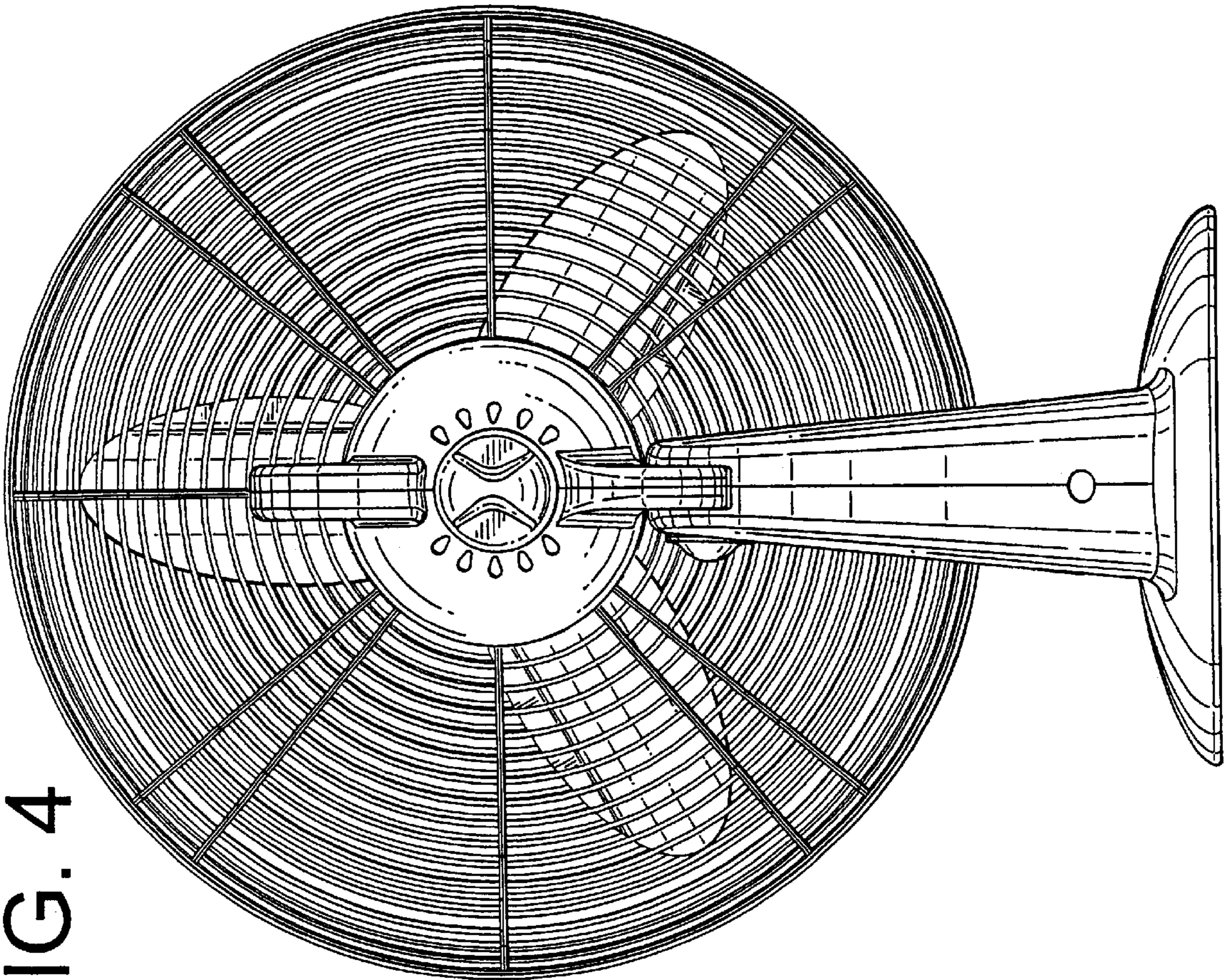


FIG. 6

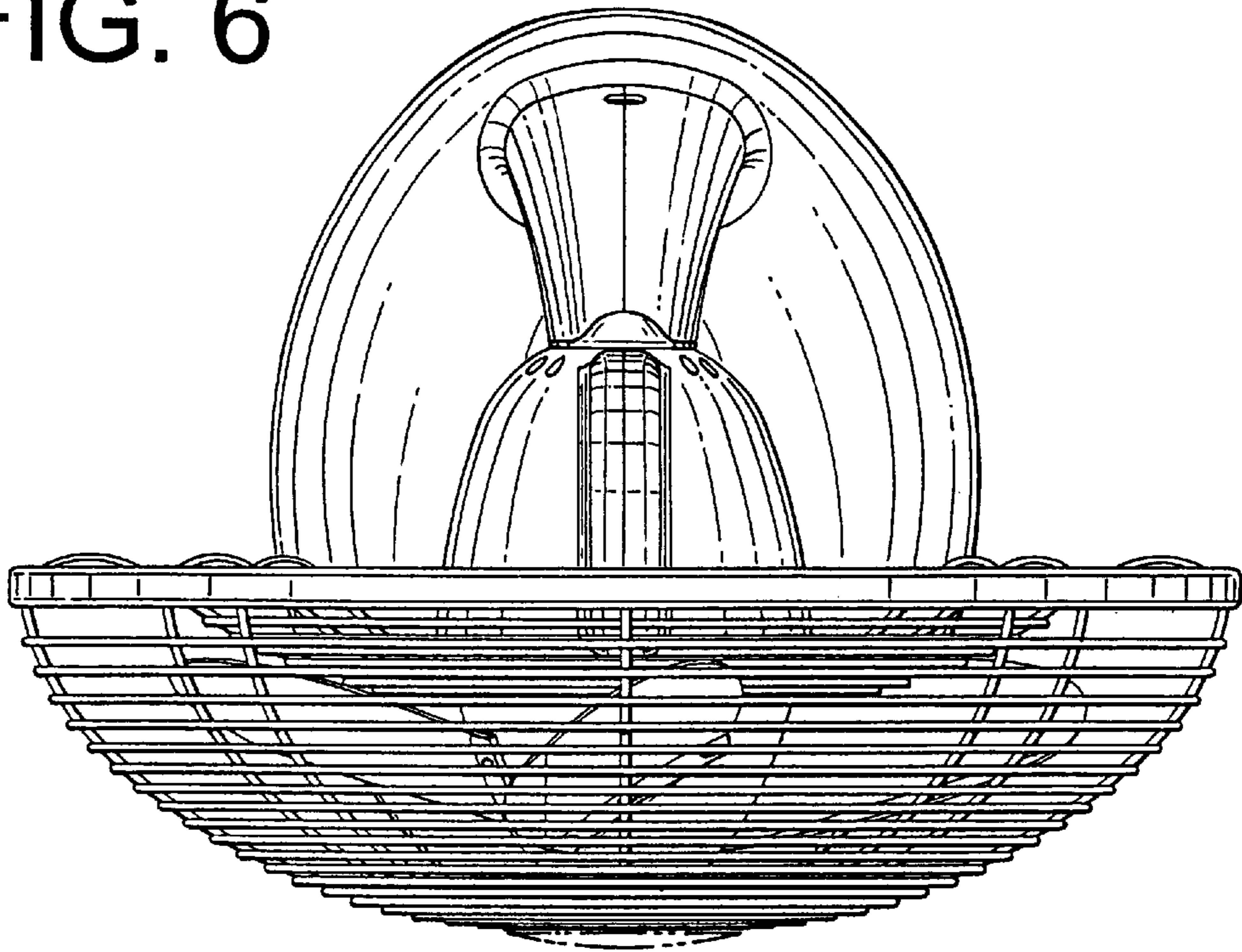


FIG. 7

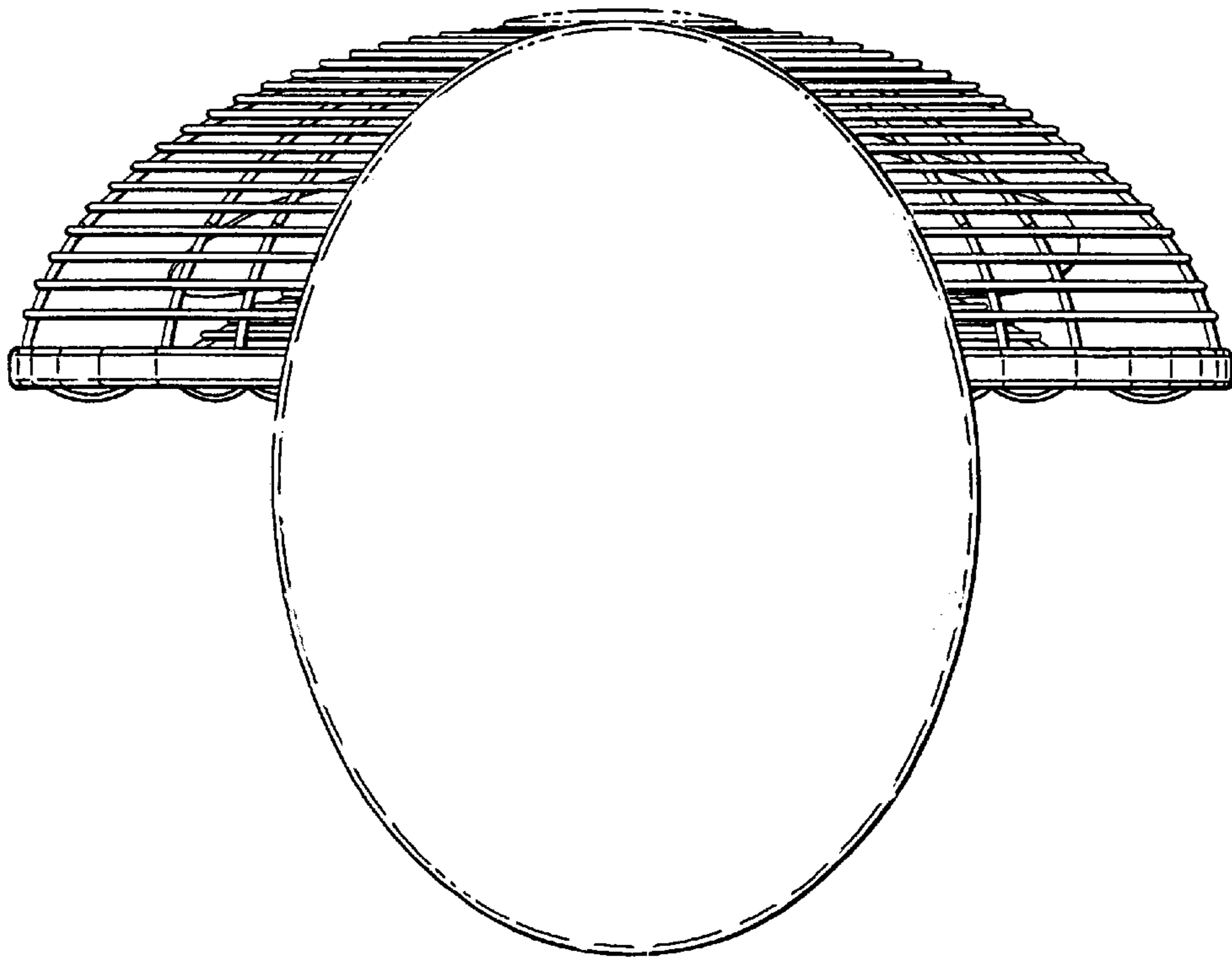


FIG. 8

